



US00D623458S

(12) **United States Design Patent**
Kollman et al.

(10) **Patent No.:** **US D623,458 S**

(45) **Date of Patent:** **** Sep. 14, 2010**

(54) **END CAP FOR A CURTAIN ROD**

(75) Inventors: **Michael Kollman**, Fitchburg, WI (US);
Nicholas J. Schultz, Columbus, WI (US)

(73) Assignee: **Limino, Inc.**, Madison, WI (US)

(**) Term: **14 Years**

(21) Appl. No.: **29/356,439**

(22) Filed: **Feb. 25, 2010**

(51) **LOC (9) Cl.** **06-10**

(52) **U.S. Cl.** **D6/580**

(58) **Field of Classification Search** D8/301,
D8/307, 310, 312, 319, 320, 350, 352, 376,
D8/377, 378, 382, 395; D6/575, 577, 580;
D10/69; 33/365, 366.11, 366.27, 367, 368,
33/369; 248/188.9; 160/126, 168.1, 173 R,
160/176.1, 177 R, 178.1, 178.2, 307, 321,
160/323.1, 330; 411/508, 509, 510

See application file for complete search history.

(56) **References Cited**

U.S. PATENT DOCUMENTS

D168,579 S * 1/1953 Lorentzen D6/580
5,011,030 A 4/1991 Alarent
D333,936 S * 3/1993 van der Zanden D6/580
5,678,703 A 10/1997 Sawyer

D443,456 S * 6/2001 Horsten D6/580
D518,326 S * 4/2006 Allsopp D6/580
D548,577 S * 8/2007 Shiffler et al. D8/376
D602,770 S * 10/2009 Fernandez D8/376

* cited by examiner

Primary Examiner—Robert M Spear

Assistant Examiner—Barbara B Lohr

(74) *Attorney, Agent, or Firm*—Buchanan Ingersoll &
Rooney PC

(57) **CLAIM**

The ornamental design for an end cap for a curtain rod, as shown and described.

DESCRIPTION

FIG. 1 is a perspective view of our end cap for a curtain rod;
FIG. 2 is a left side view thereof, the right side view being a
mirror image thereof;

FIG. 3 is a top view thereof;

FIG. 4 is a bottom view thereof;

FIG. 5 is a rear view thereof; and,

FIG. 6 is a front view thereof.

An optional decorative finial shown in FIG. 1 in broken line
attached to the end cap forms no part of the claimed design.

1 Claim, 3 Drawing Sheets

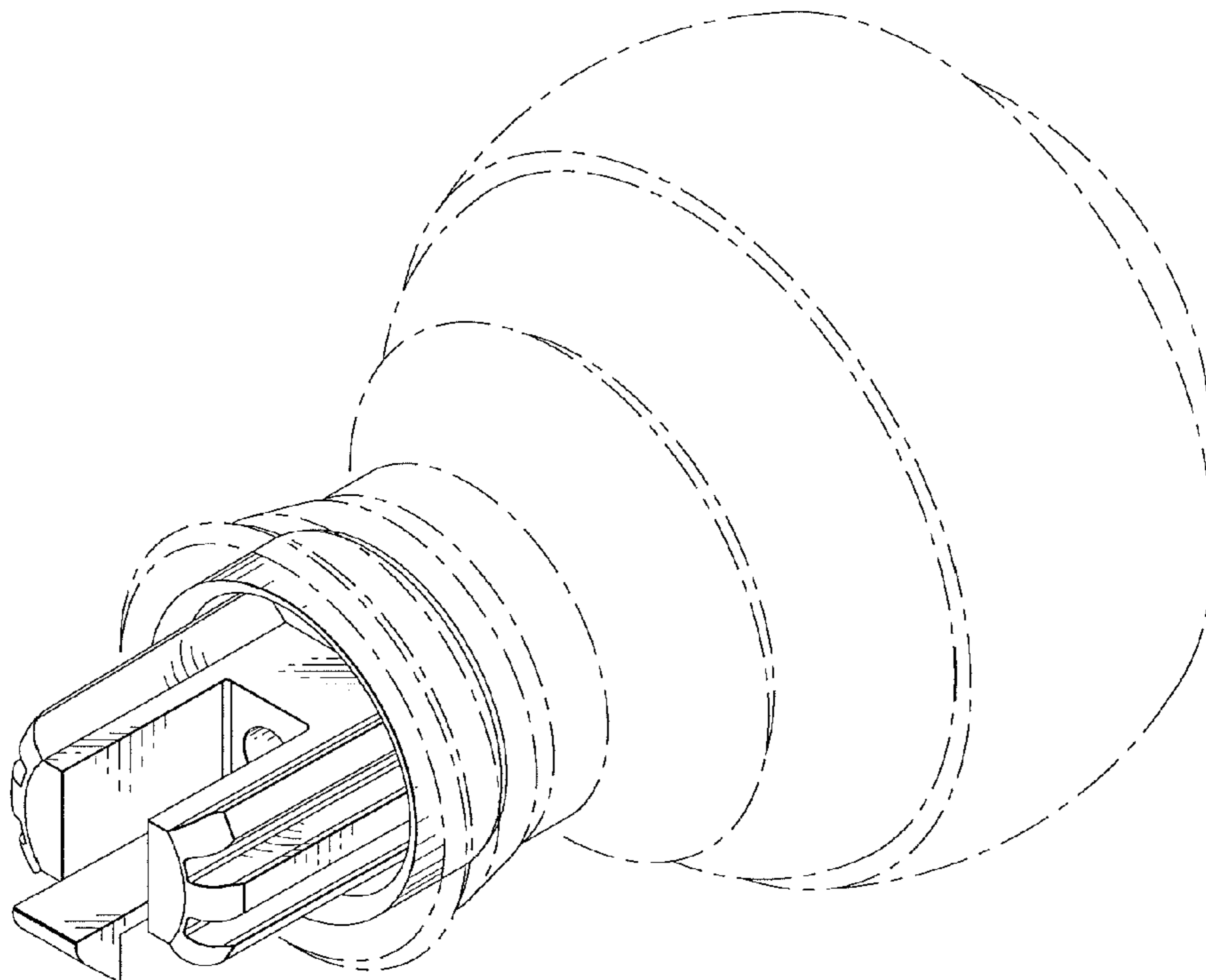


Fig. 1

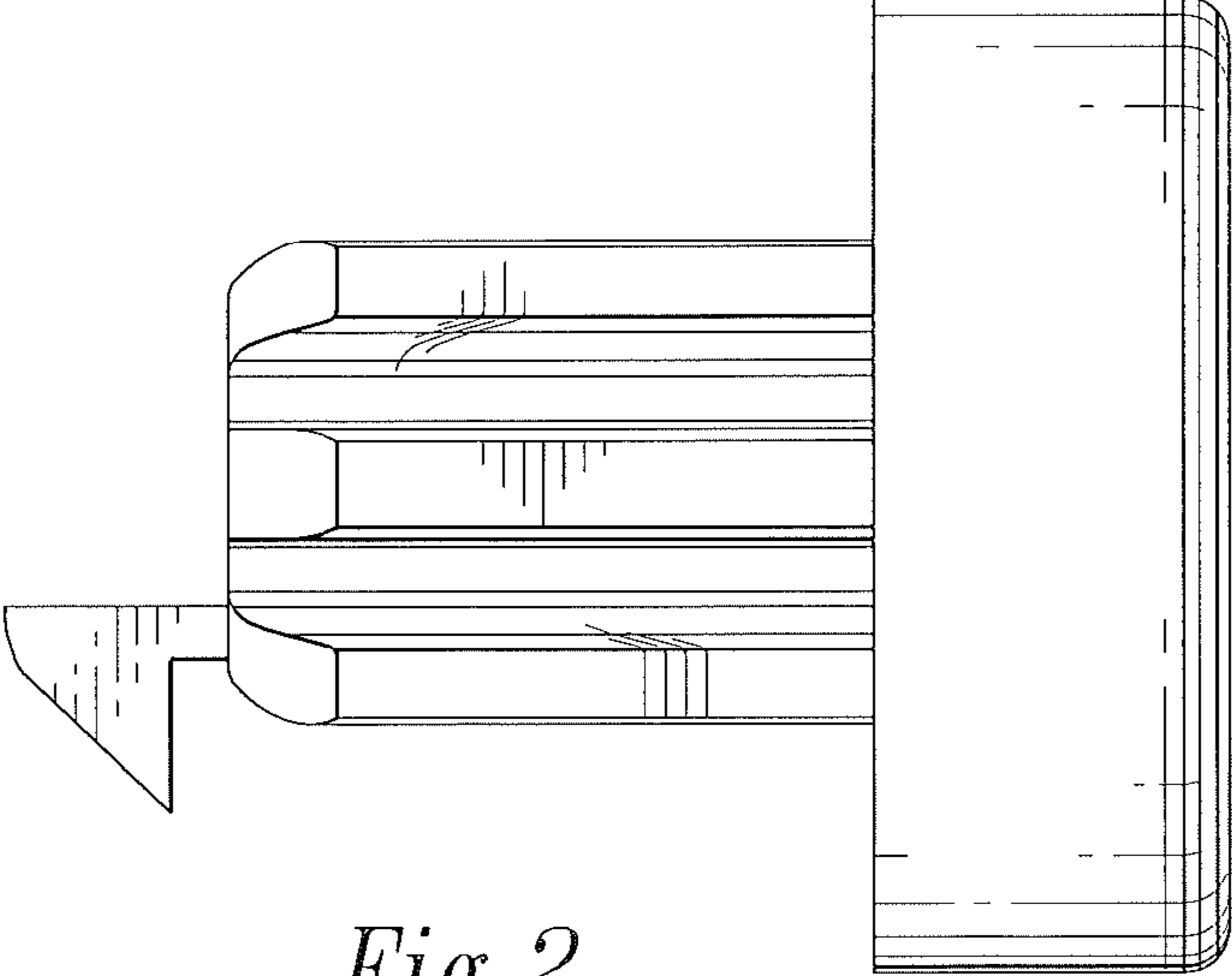
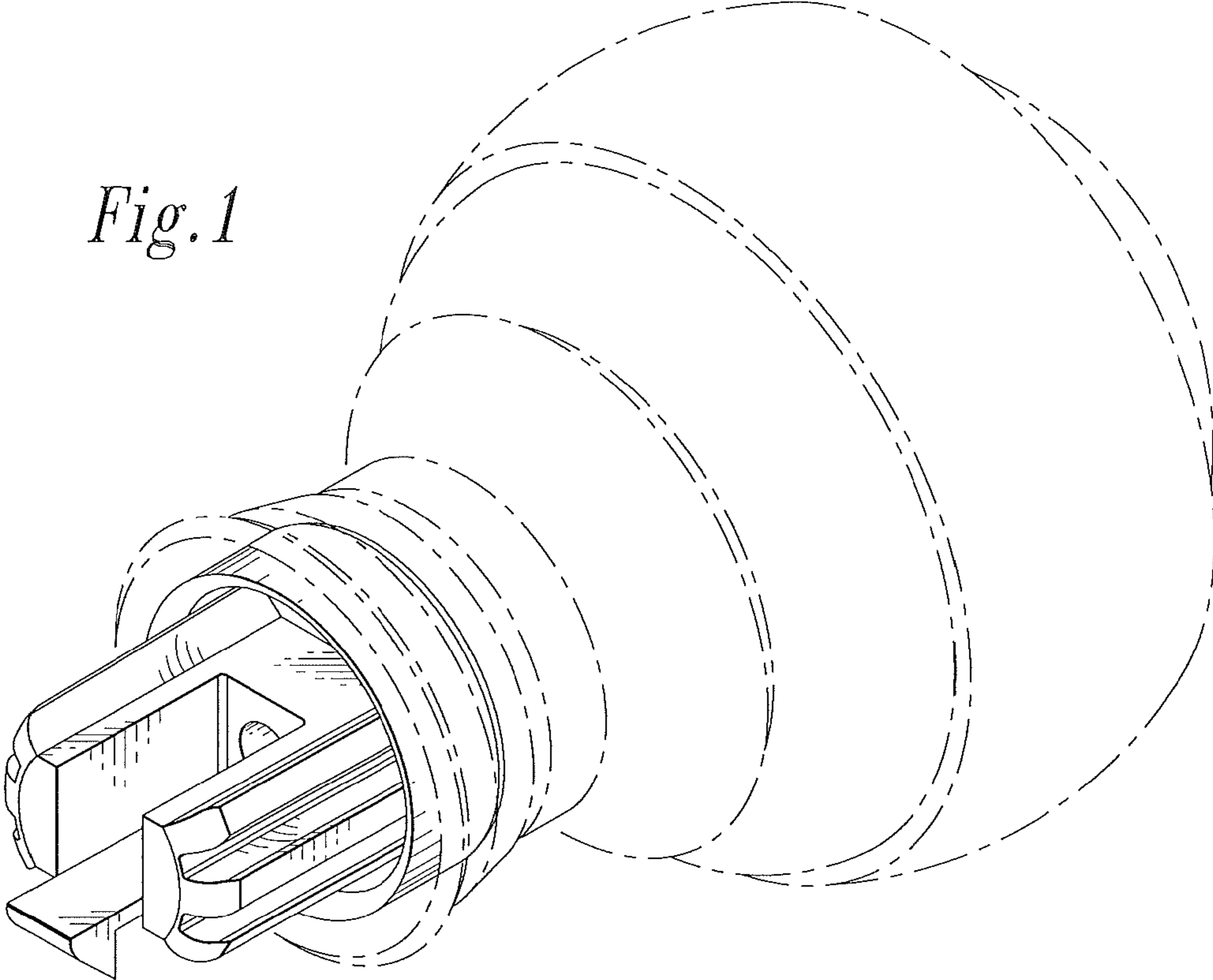


Fig. 2

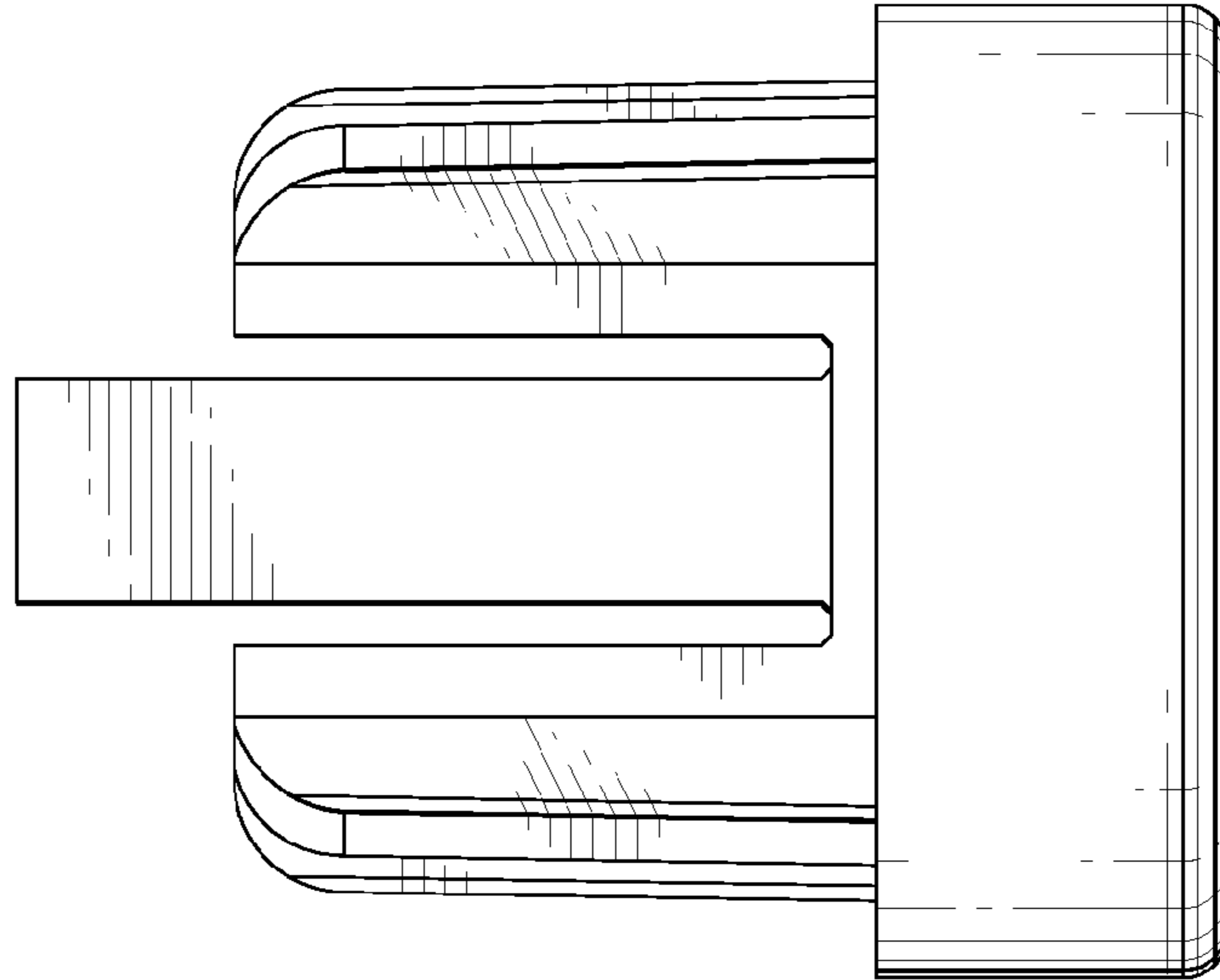


Fig.3

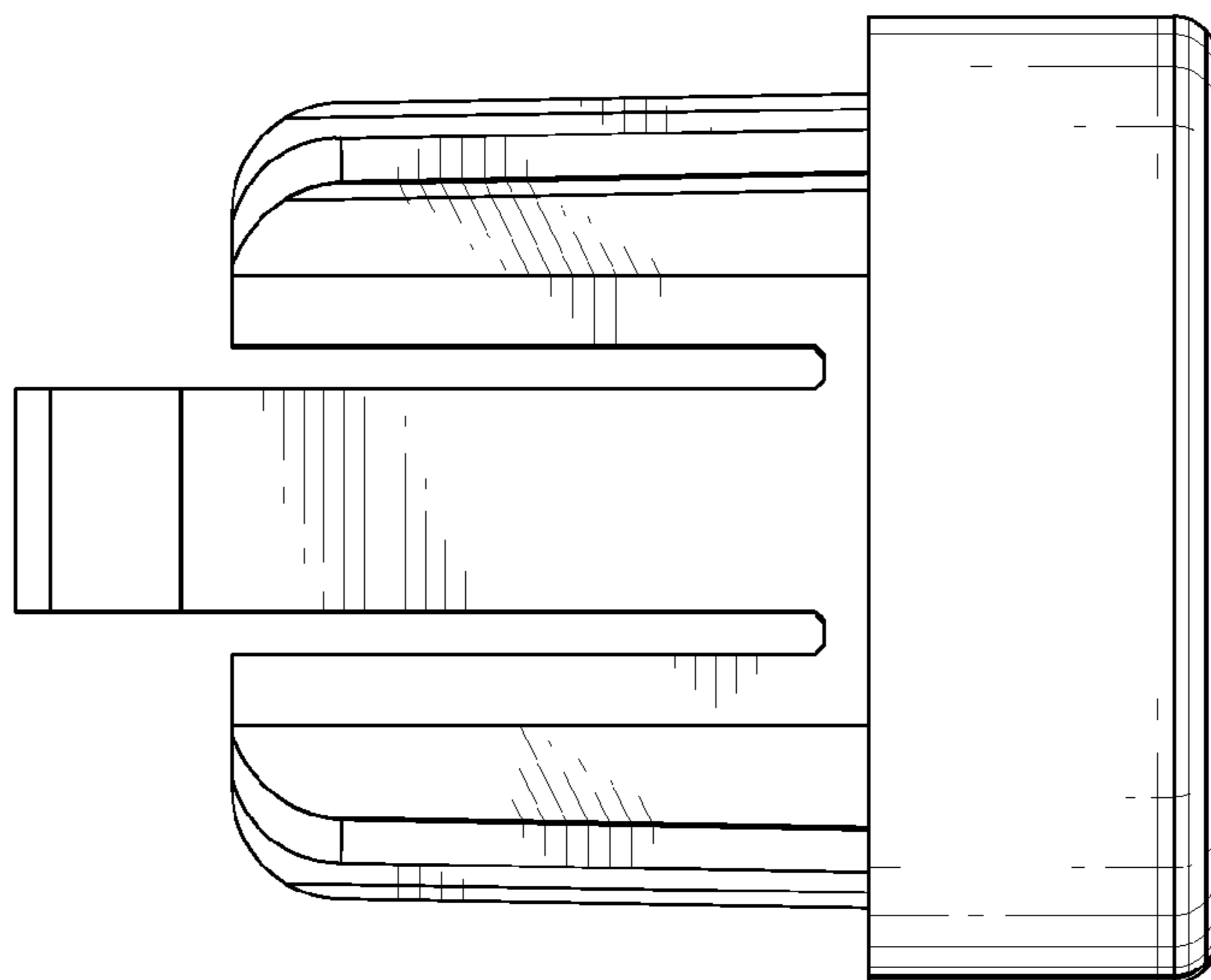


Fig.4

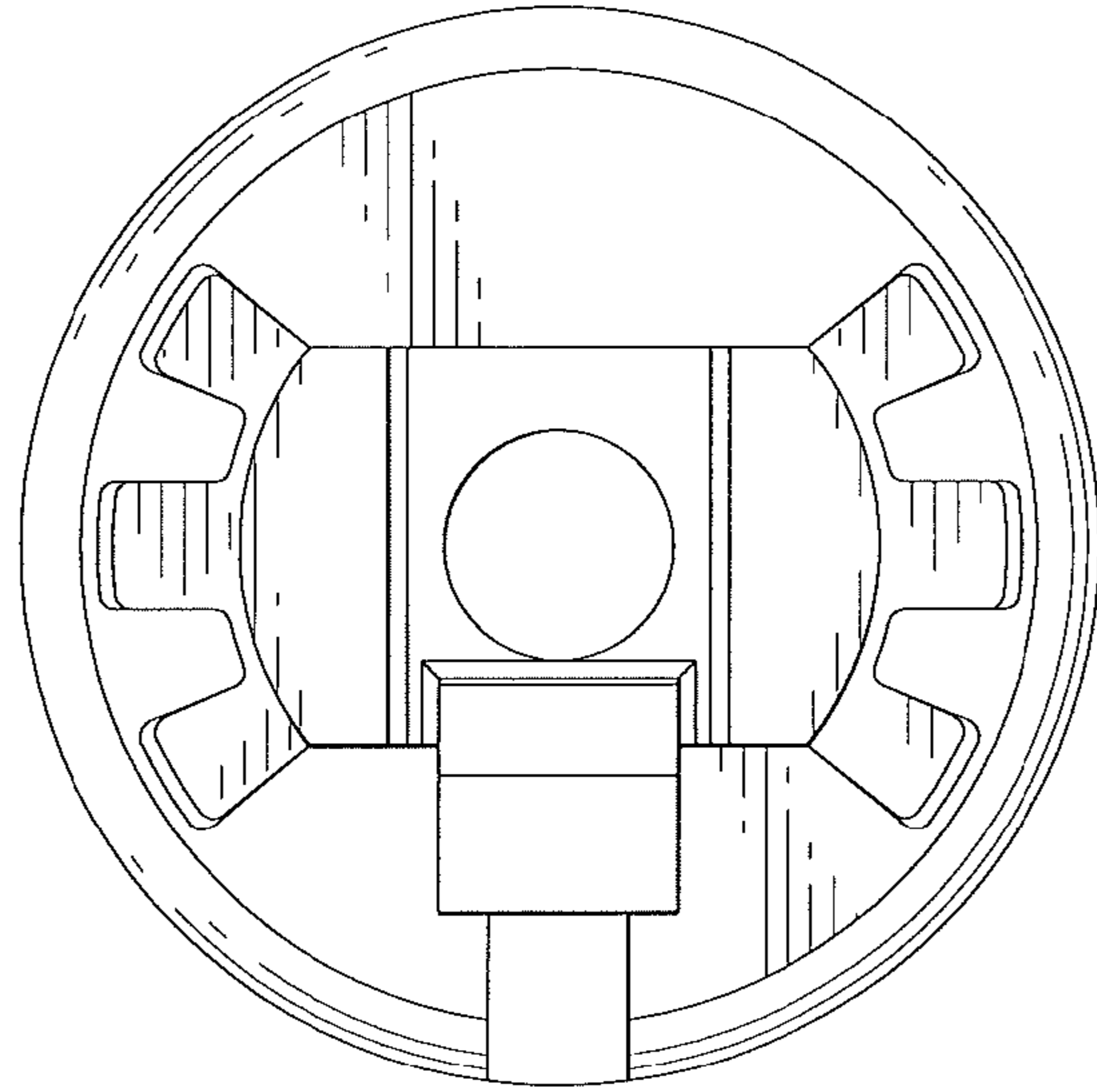


Fig. 5

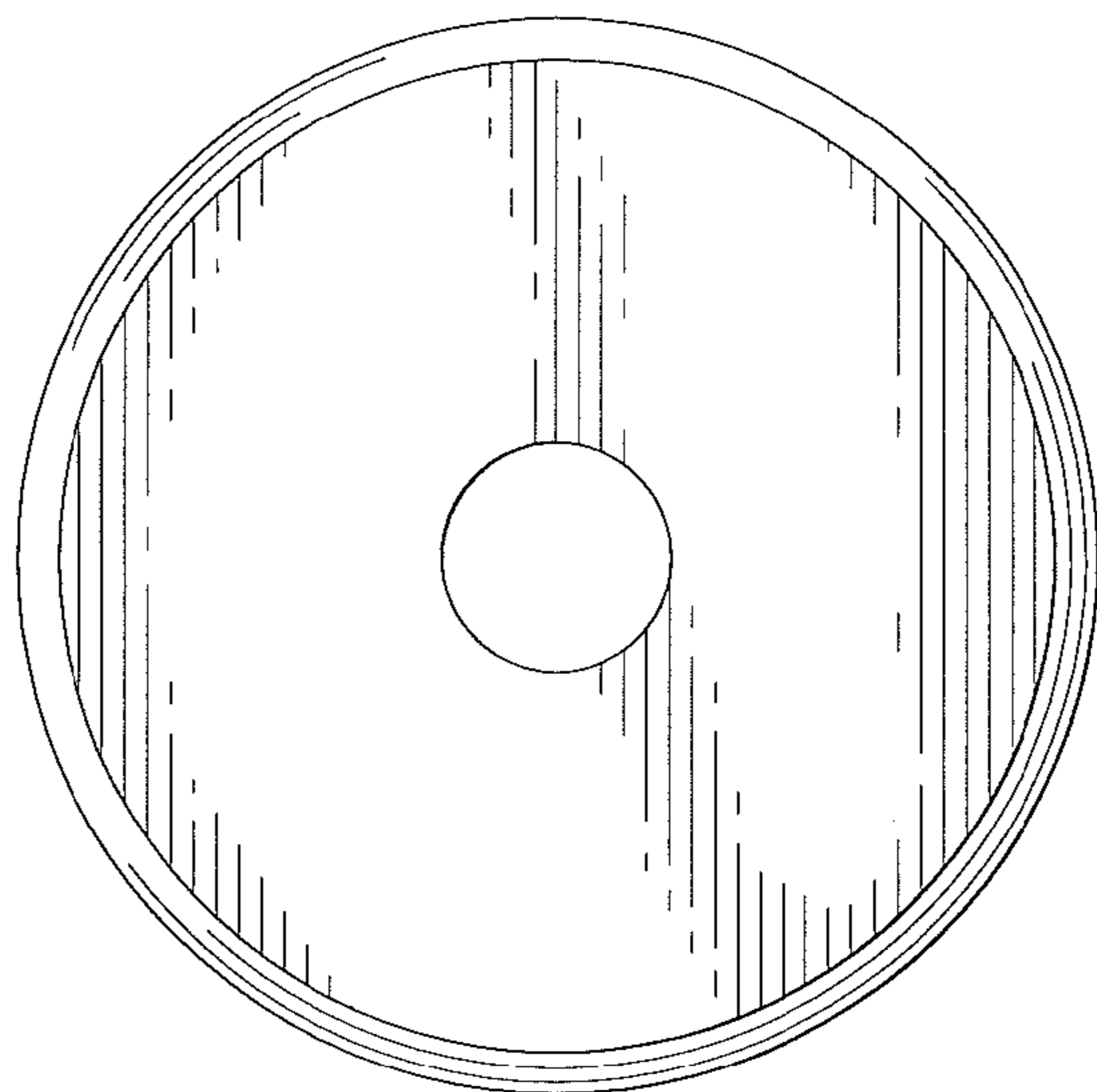


Fig. 6

UNITED STATES PATENT AND TRADEMARK OFFICE
CERTIFICATE OF CORRECTION

PATENT NO. : D623,458 S
APPLICATION NO. : 29/356439
DATED : September 14, 2010
INVENTOR(S) : Michael Kollman and Nicholas J. Schultz

Page 1 of 1

It is certified that error appears in the above-identified patent and that said Letters Patent is hereby corrected as shown below:

Title page, item (73) should read as follows:

(73) Assignee: change "Limino" to --Lumino--.

Signed and Sealed this
Eighth Day of February, 2011

A handwritten signature in black ink that reads "David J. Kappos". The signature is written in a cursive style with a large initial 'D' and 'K'.

David J. Kappos
Director of the United States Patent and Trademark Office