



US00D623454S

(12) **United States Design Patent**
Berkowitz

(10) **Patent No.:** **US D623,454 S**

(45) **Date of Patent:** **** Sep. 14, 2010**

(54) **WALL MOUNT**

D583,600 S * 12/2008 Ricereto D6/524
D610,383 S * 2/2010 Liu D6/524

(75) Inventor: **Adam Berkowitz**, Toronto (CA)

* cited by examiner

(73) Assignee: **Trimtag Trading Inc.**, Richmond Hill (CA)

Primary Examiner—Brian N Vinson

(**) Term: **14 Years**

(74) *Attorney, Agent, or Firm*—John R. S. Orange; Blake, Cassels & Graydon LLP

(21) Appl. No.: **29/337,133**

(57) **CLAIM**

(22) Filed: **May 15, 2009**

The ornamental design of a wall mount, as shown and described.

(51) **LOC (9) Cl.** **23-02**

(52) **U.S. Cl.** **D6/524**

(58) **Field of Classification Search** D6/518–524,
D6/546–550, 323; 108/28–29; 211/13.1,
211/16, 60.1, 86.01, 87.01, 88.01, 88.04,
211/100, 105.1, 105.2, 123, 181.1, 182; 248/175,
248/176.1, 251, 302; 16/110.1, 415; 242/570,
242/590, 595–598; D8/300, 303, 315–321
See application file for complete search history.

DESCRIPTION

FIG. 1 is a top, front, and right side perspective view of a wall mount showing my new design;

FIG. 2 is a top plan view thereof;

FIG. 3 is a front elevational view thereof

FIG. 4 is a right side elevational view thereof;

FIG. 5 is a bottom plan view thereof; and,

FIG. 6 is a left side elevational view thereof.

The broken-line disclosure in the views is understood to represent a portion of the article in which the claimed design is embodied, but which forms no part of the claimed design.

(56) **References Cited**

U.S. PATENT DOCUMENTS

D553,404 S * 10/2007 Rexach D6/524
D554,403 S * 11/2007 Xiao D6/524
D563,131 S * 3/2008 Ricereto D6/524
D563,702 S * 3/2008 Ricereto D6/524

1 Claim, 3 Drawing Sheets

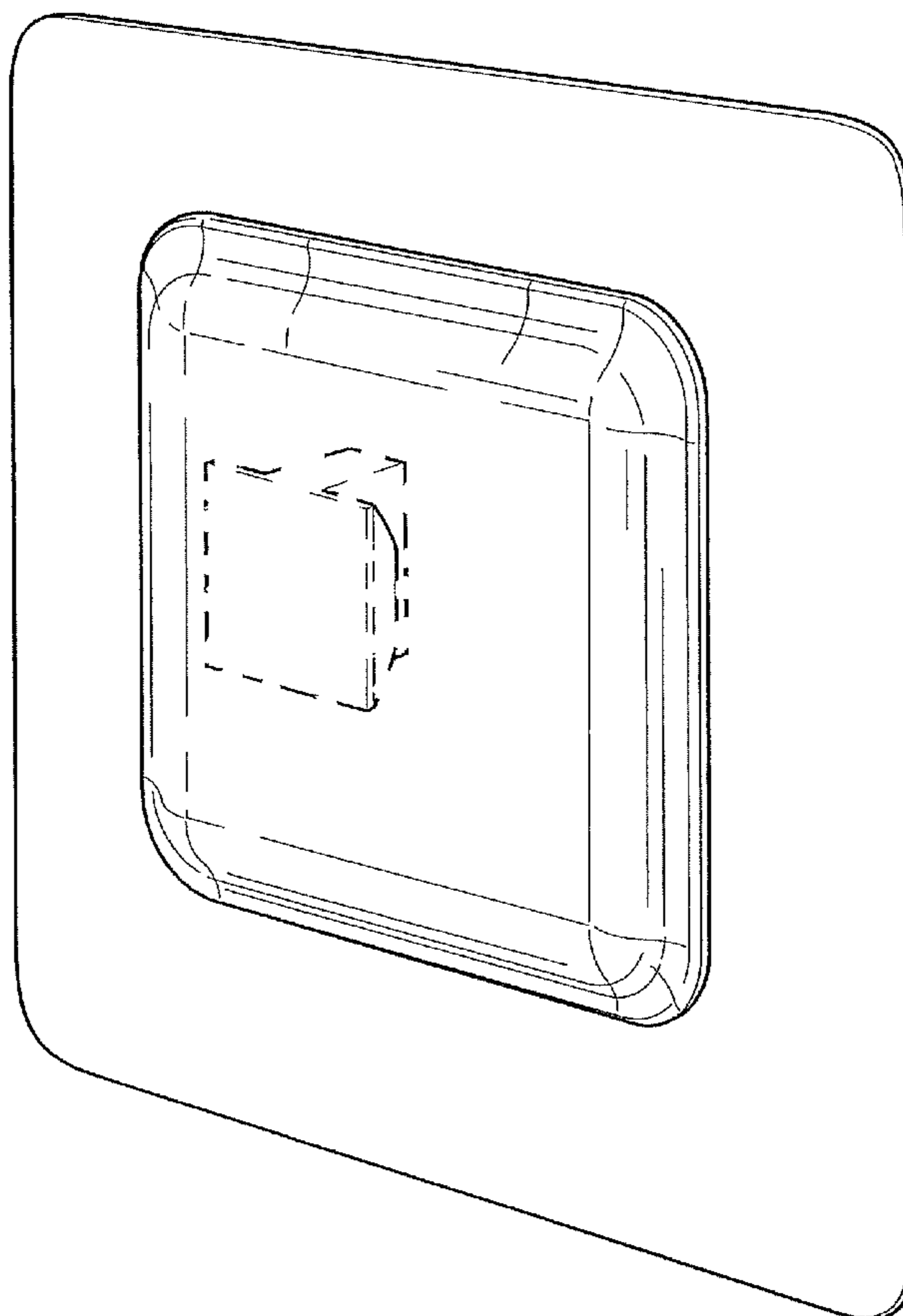


Fig. 1

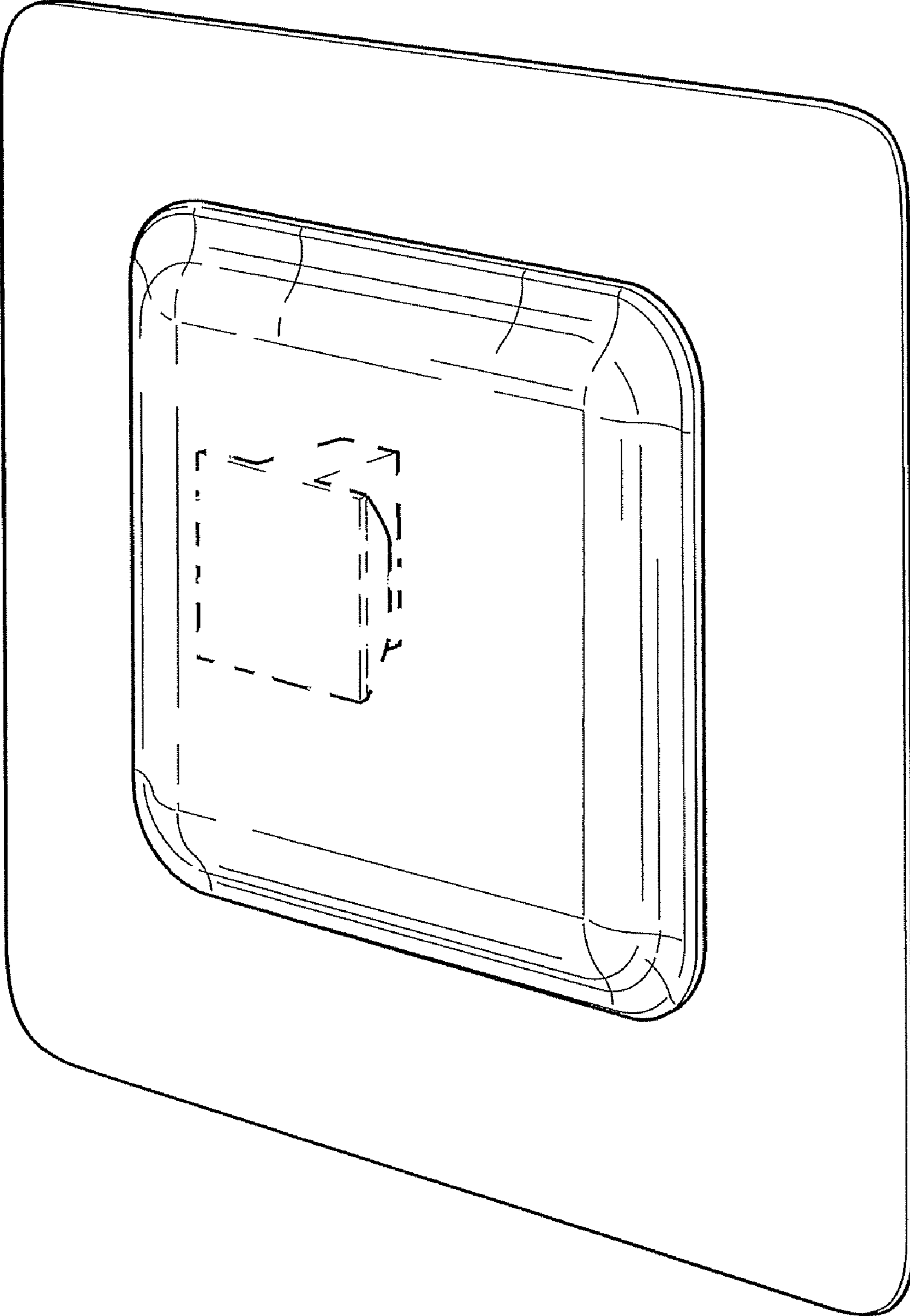


Fig. 2

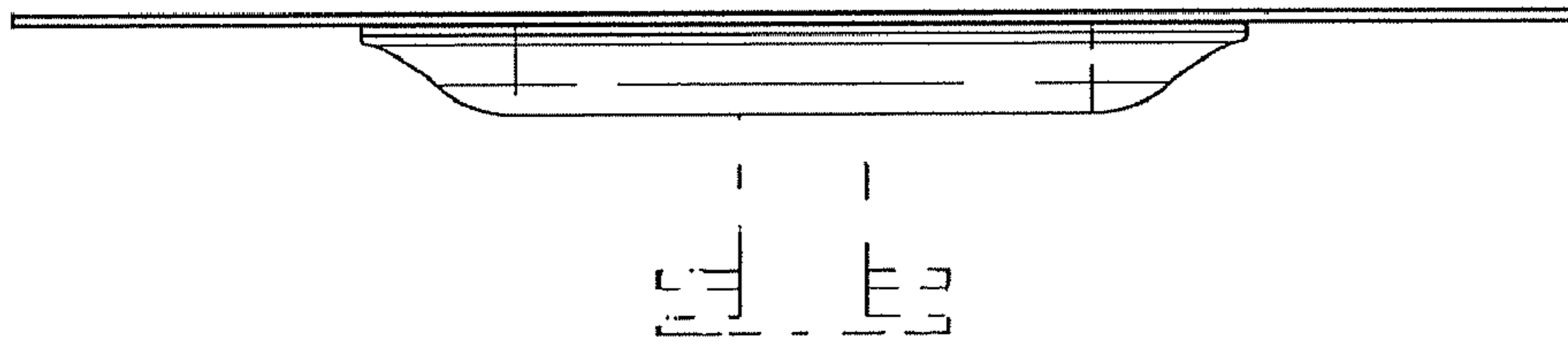


Fig. 3

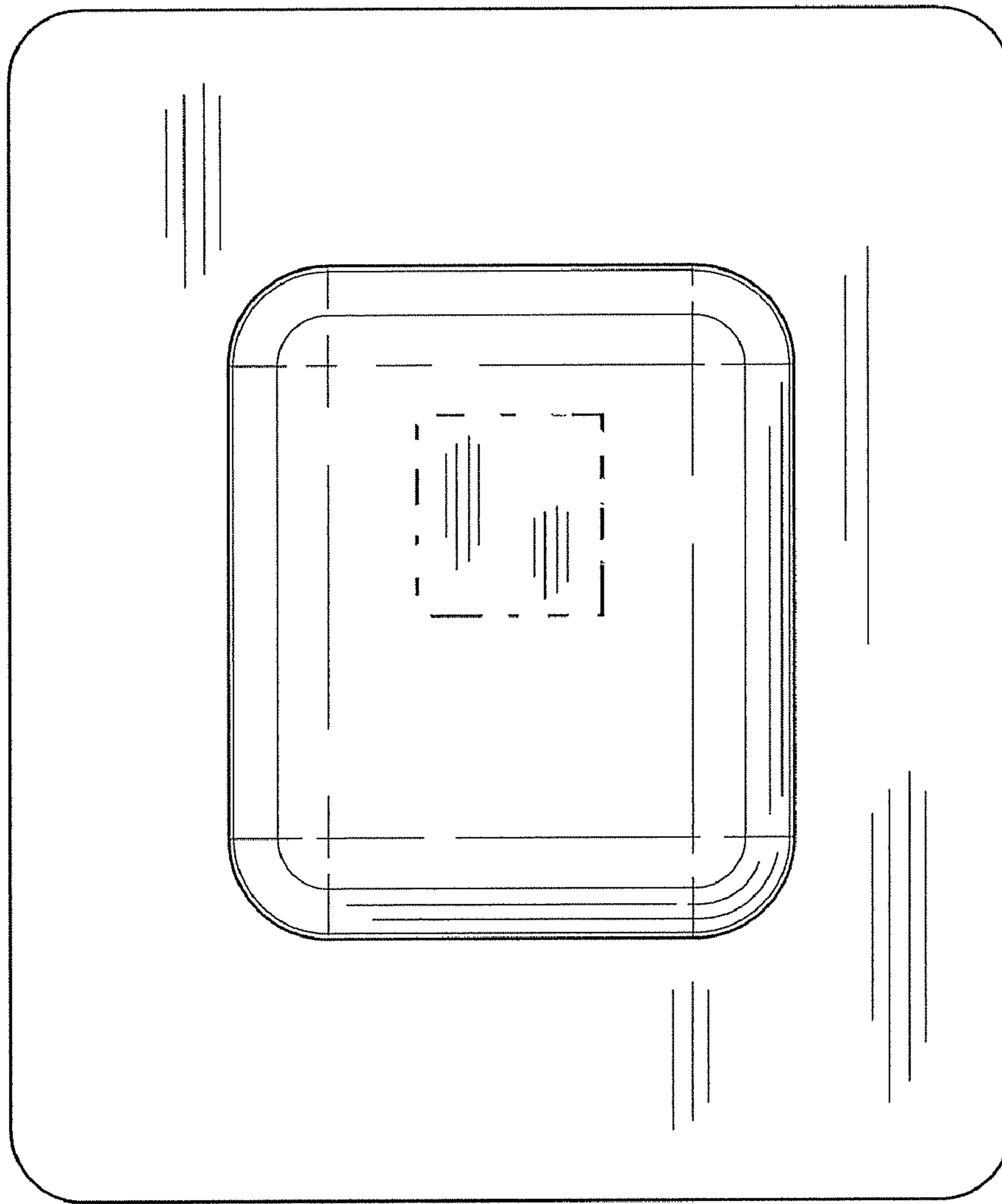


Fig. 4

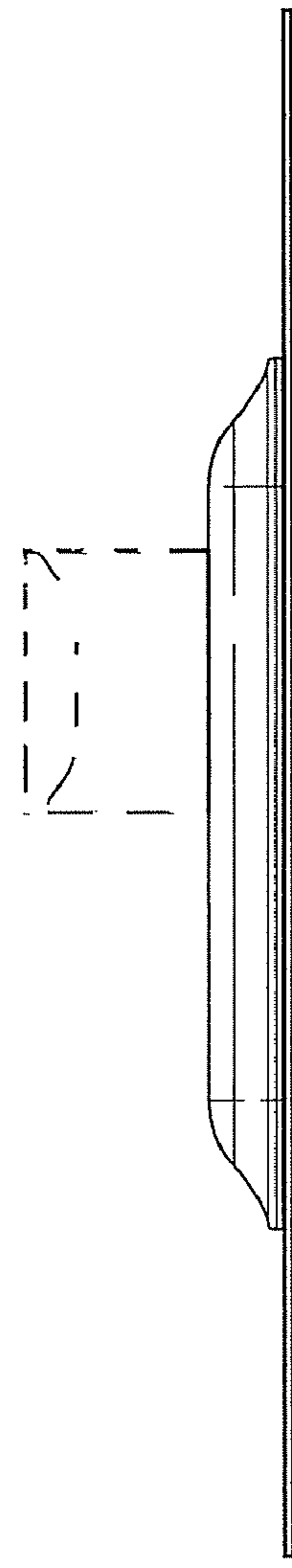


Fig. 5

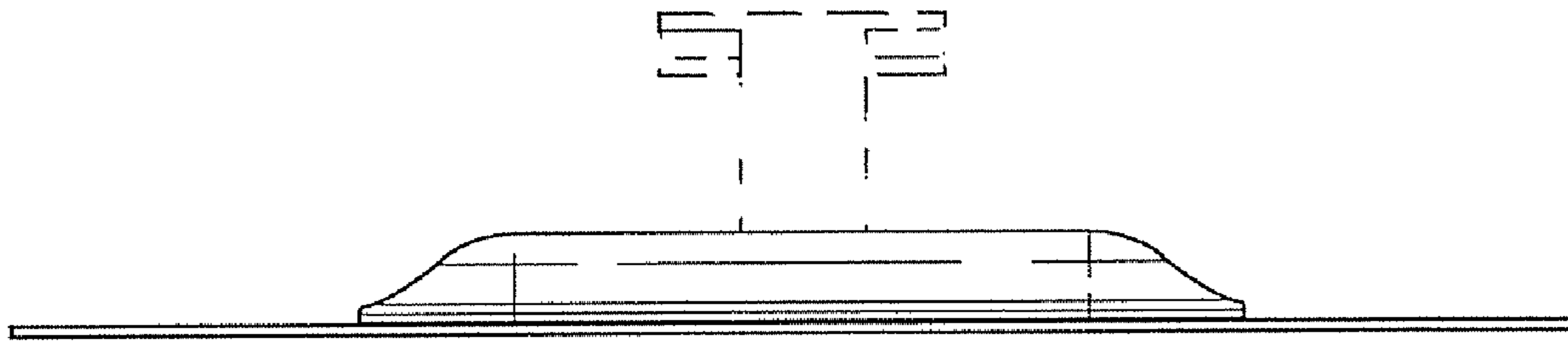


Fig. 6

