



US00D623453S

(12) **United States Design Patent**
Benedetti

(10) **Patent No.:** **US D623,453 S**
(45) **Date of Patent:** **** Sep. 14, 2010**

(54) **CENTER PULL DISPENSER**

(75) Inventor: **Giovanni Benedetti**, Wishaw (GB)

(73) Assignee: **SCA Hygiene Products AB**, Gothenburg (SE)

(**) Term: **14 Years**

(21) Appl. No.: **29/353,002**

(22) Filed: **Dec. 30, 2009**

(30) **Foreign Application Priority Data**

Jun. 30, 2009 (EM) 001149447

(51) **LOC (9) Cl.** **20-02**

(52) **U.S. Cl.** **D6/518**

(58) **Field of Classification Search** D6/515-523,
D6/545; 206/225, 233, 389, 391; 211/13.1;
222/173, 180; 221/26, 33, 282-283; 242/270,
242/590; 248/309.1, 309.2, 905

See application file for complete search history.

(56) **References Cited**

U.S. PATENT DOCUMENTS

D278,006 S *	3/1985	Sjostedt et al.	D6/523
6,145,782 A *	11/2000	King et al.	D6/522
D441,230 S *	5/2001	Andersson	D6/518
D449,474 S *	10/2001	Conran et al.	D6/518
D522,785 S *	6/2006	Brady	D6/518
D615,330 S *	5/2010	Meyerhoffer	D6/518

* cited by examiner

Primary Examiner—Brian N Vinson

(74) *Attorney, Agent, or Firm*—Young & Thompson

(57) **CLAIM**

The ornamental design for a center pull dispenser, as shown and described.

DESCRIPTION

FIG. 1 is a front, right side and top perspective view of a first embodiment of a center pull dispenser showing our new design;

FIG. 2 is a front elevational view thereof;

FIG. 3 is a rear elevational view thereof;

FIG. 4 is a right side elevational view thereof;

FIG. 5 is a left side elevational view thereof;

FIG. 6 is a top plan view thereof;

FIG. 7 is a bottom plan view thereof;

FIG. 8 is a front, right side and top perspective view of a second embodiment of a center pull dispenser showing our new design;

FIG. 9 is a front elevational view thereof;

FIG. 10 is a rear elevational view thereof;

FIG. 11 is a right side elevational view thereof;

FIG. 12 is a left side elevational view thereof;

FIG. 13 is a top plan view thereof;

FIG. 14 is a bottom plan view thereof;

FIG. 15 is a front, right side and top perspective view of a third embodiment of a center pull dispenser showing our new design;

FIG. 16 is a front elevational view thereof;

FIG. 17 is a rear elevational view thereof;

FIG. 18 is a right side elevational view thereof;

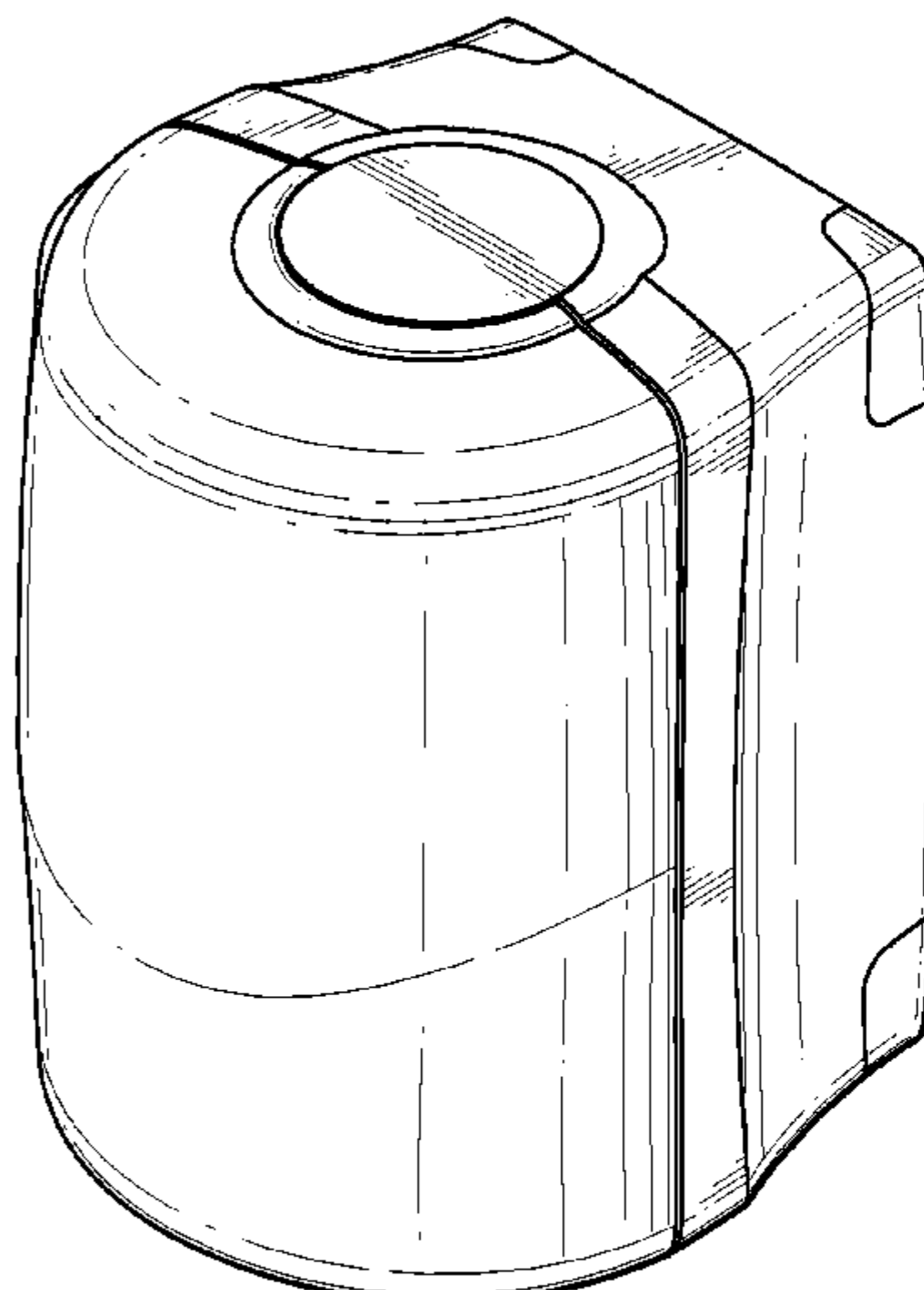
FIG. 19 is a left side elevational view thereof;

FIG. 20 is a top plan view thereof; and,

FIG. 21 is a bottom plan view thereof.

The broken-line disclosure in the views is understood to represent a portion of the article in which the claimed design is embodied, but which forms no part of the claimed design.

1 Claim, 18 Drawing Sheets



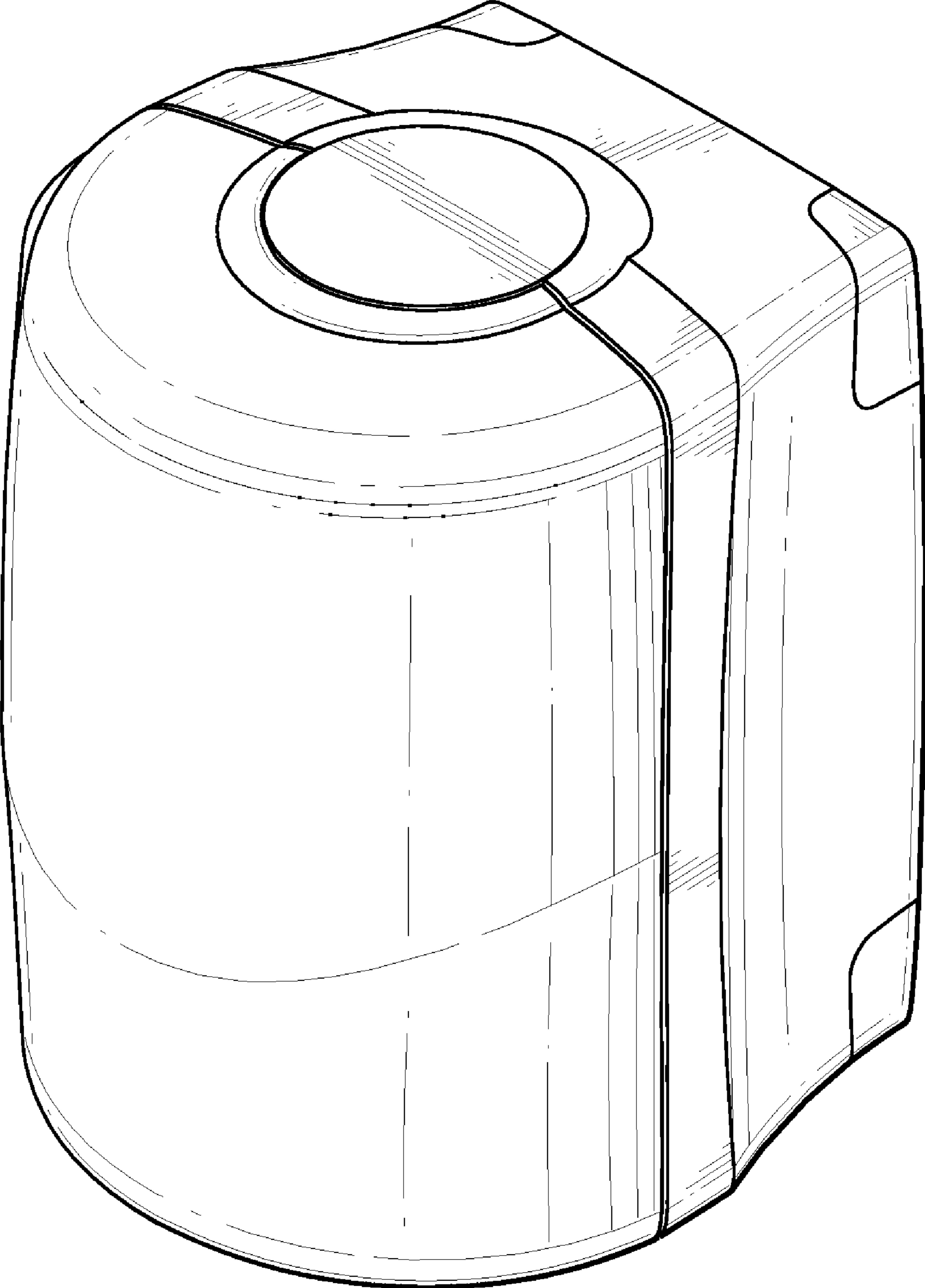


FIG. 1

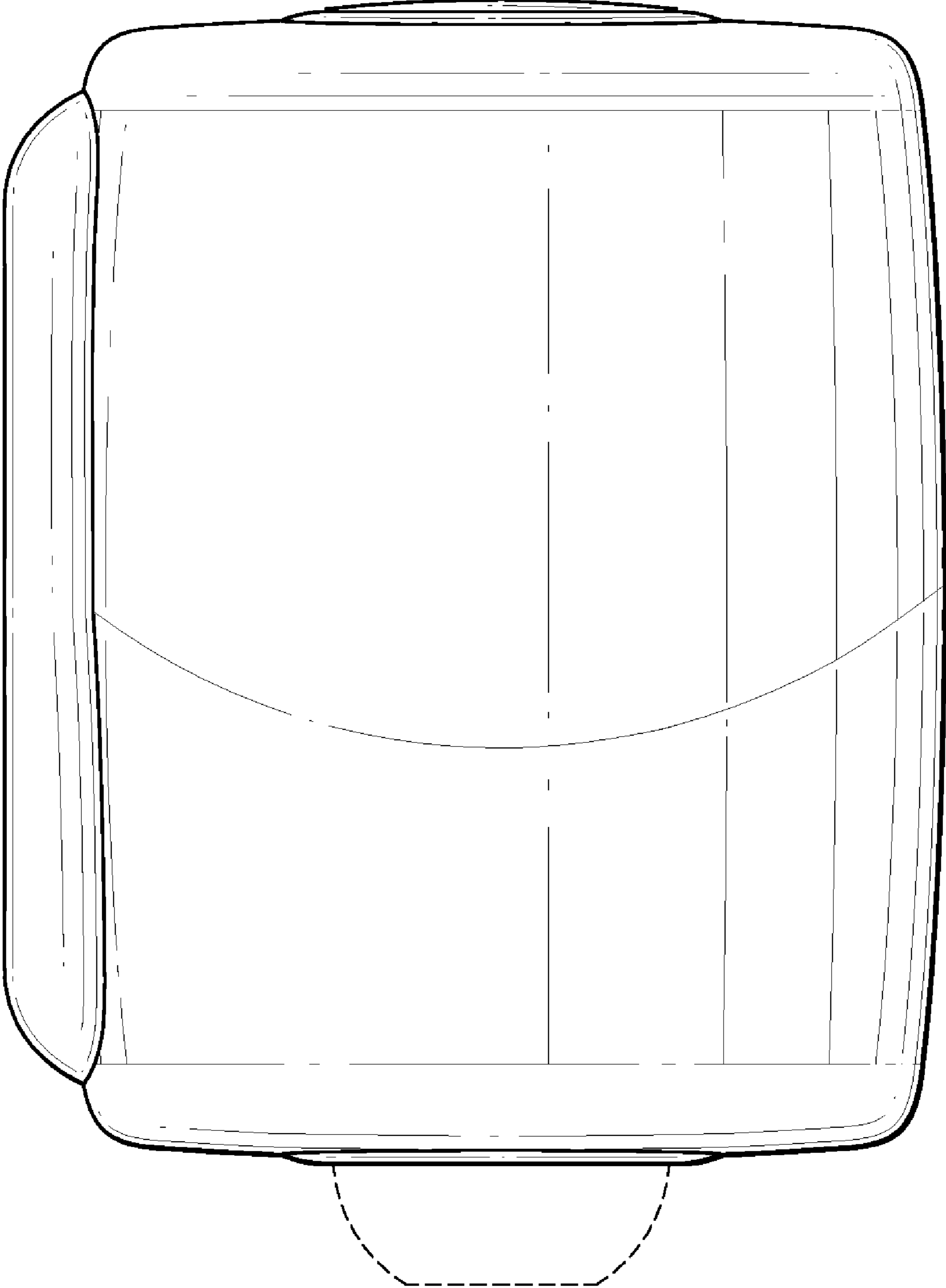


FIG. 2

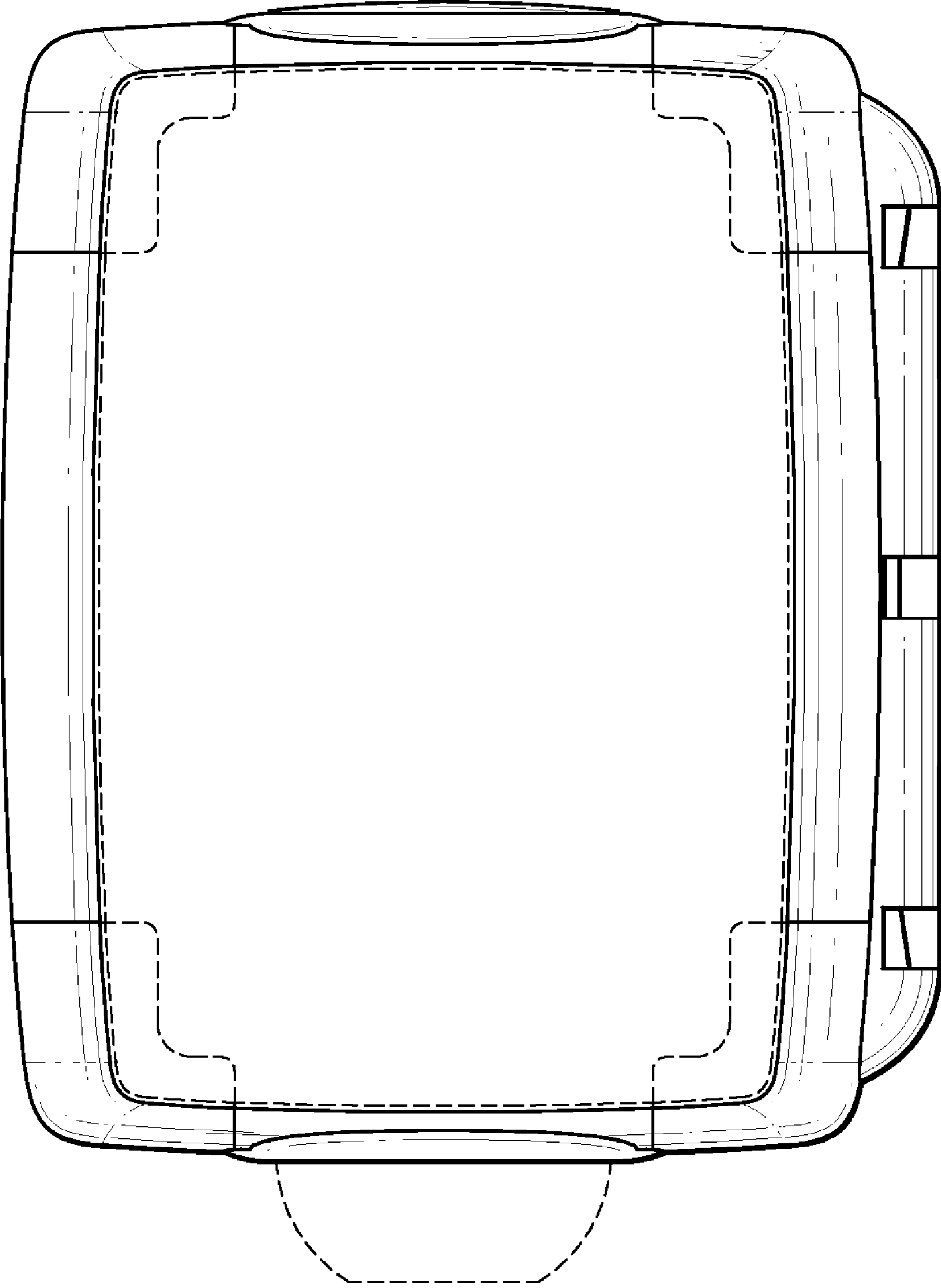


FIG. 3

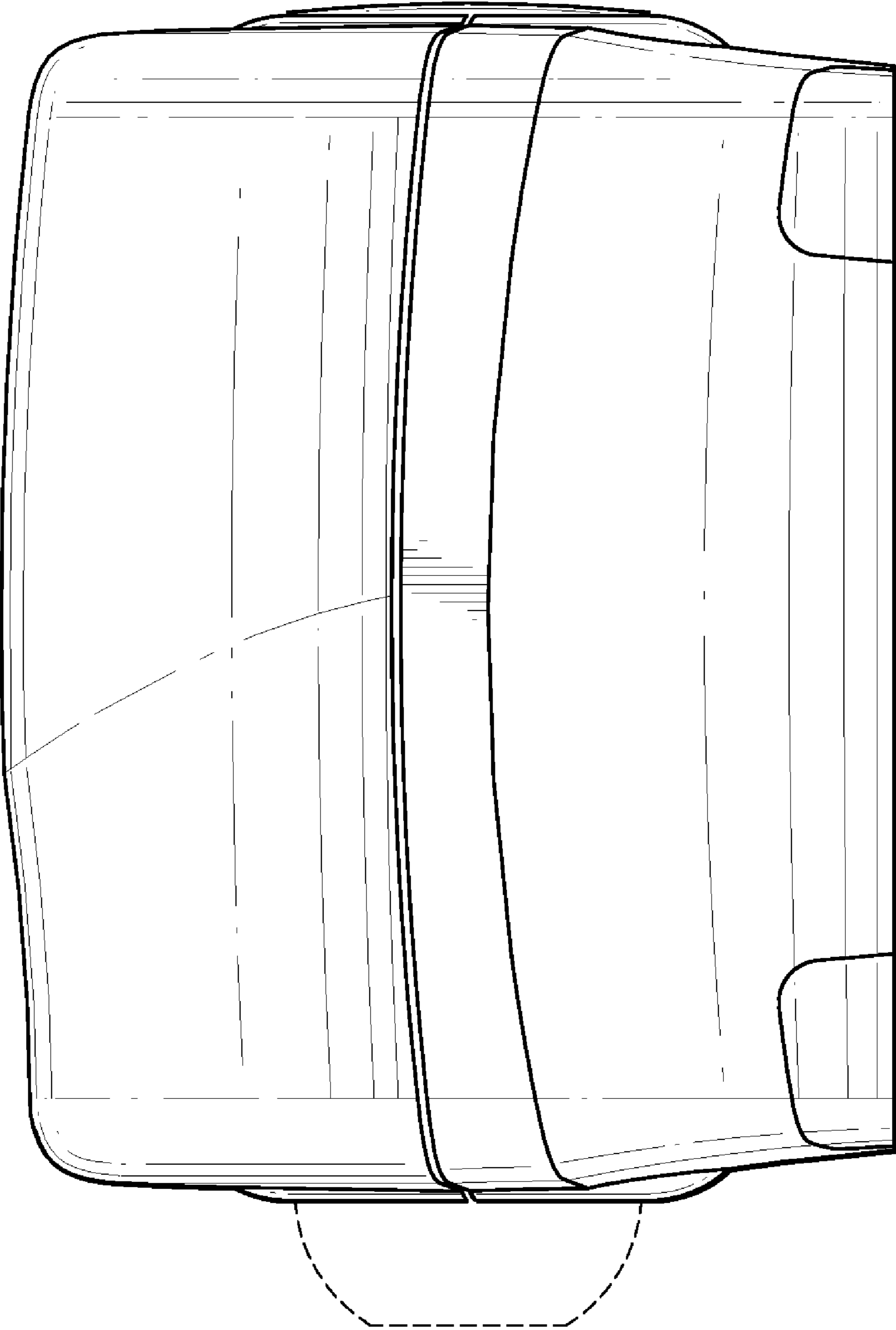


FIG. 4

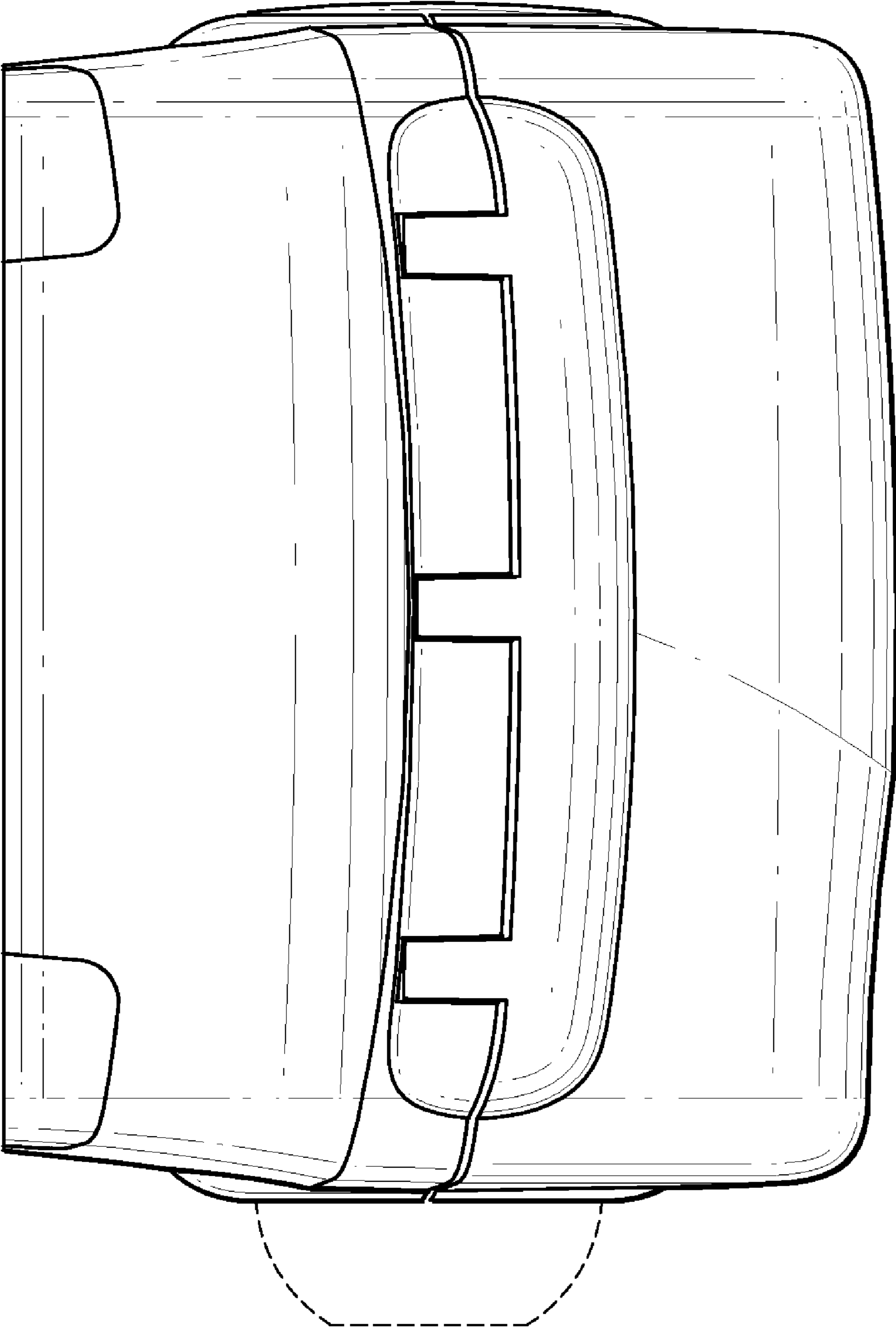


FIG. 5

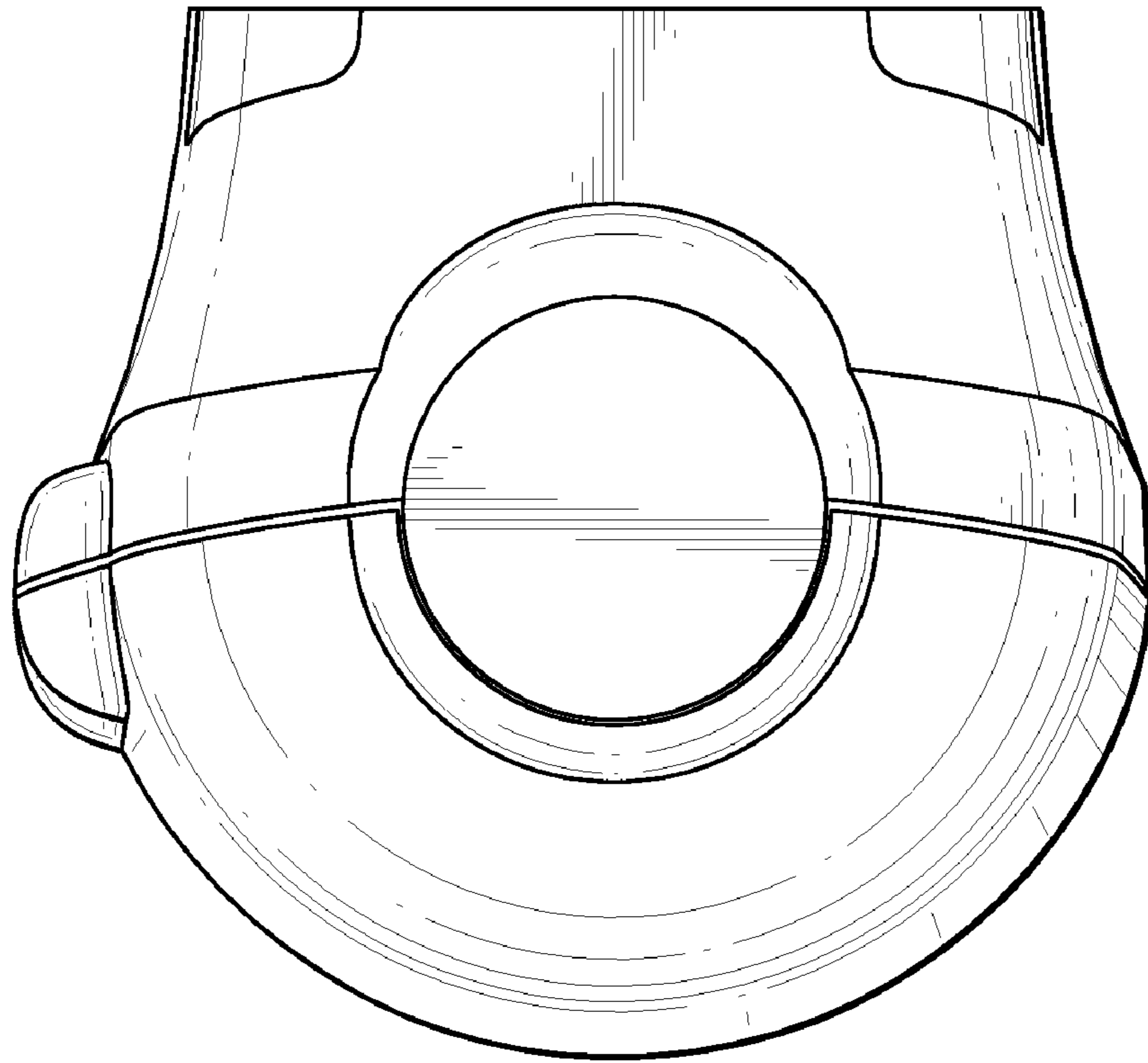


FIG. 6

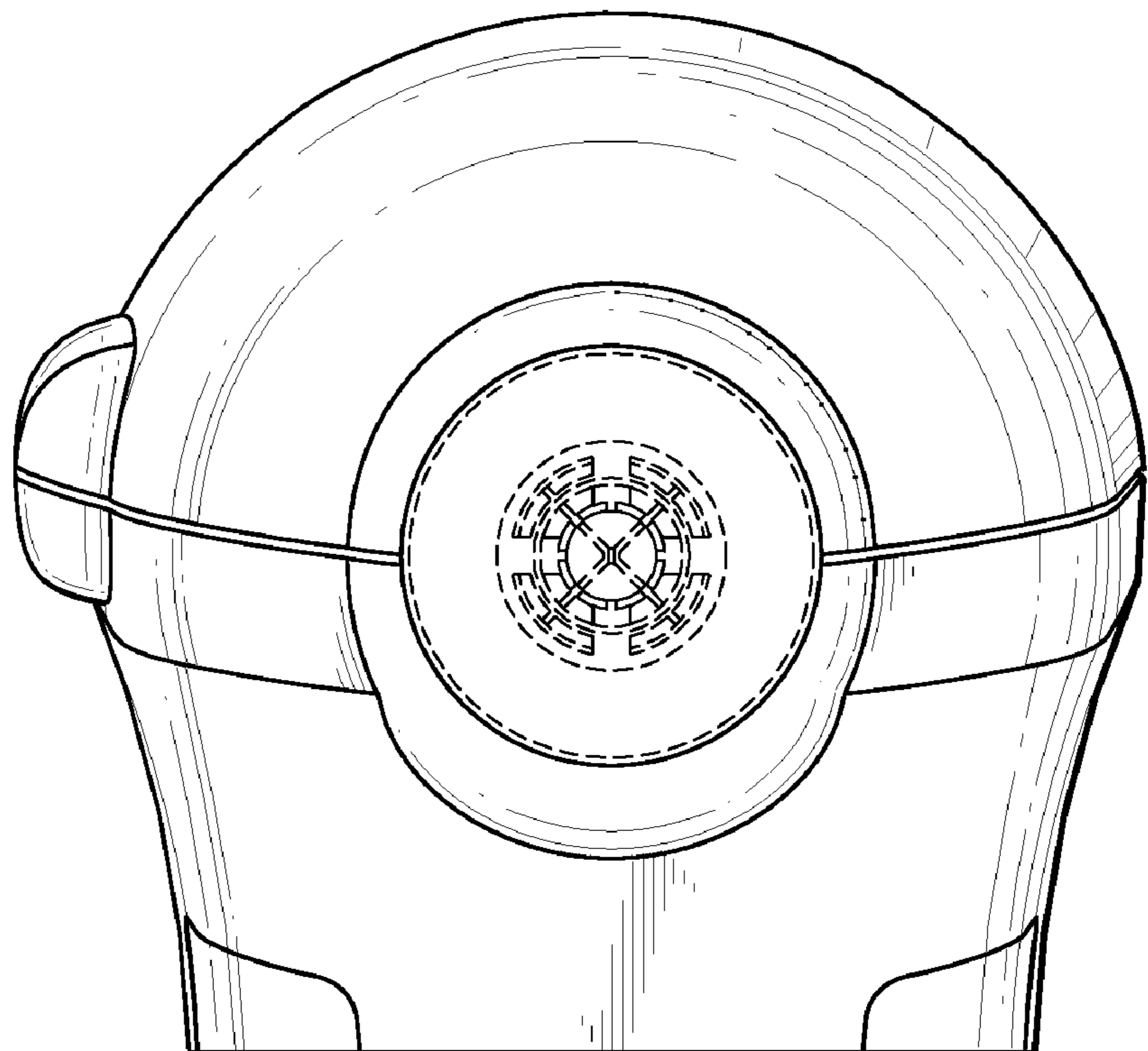


FIG. 7

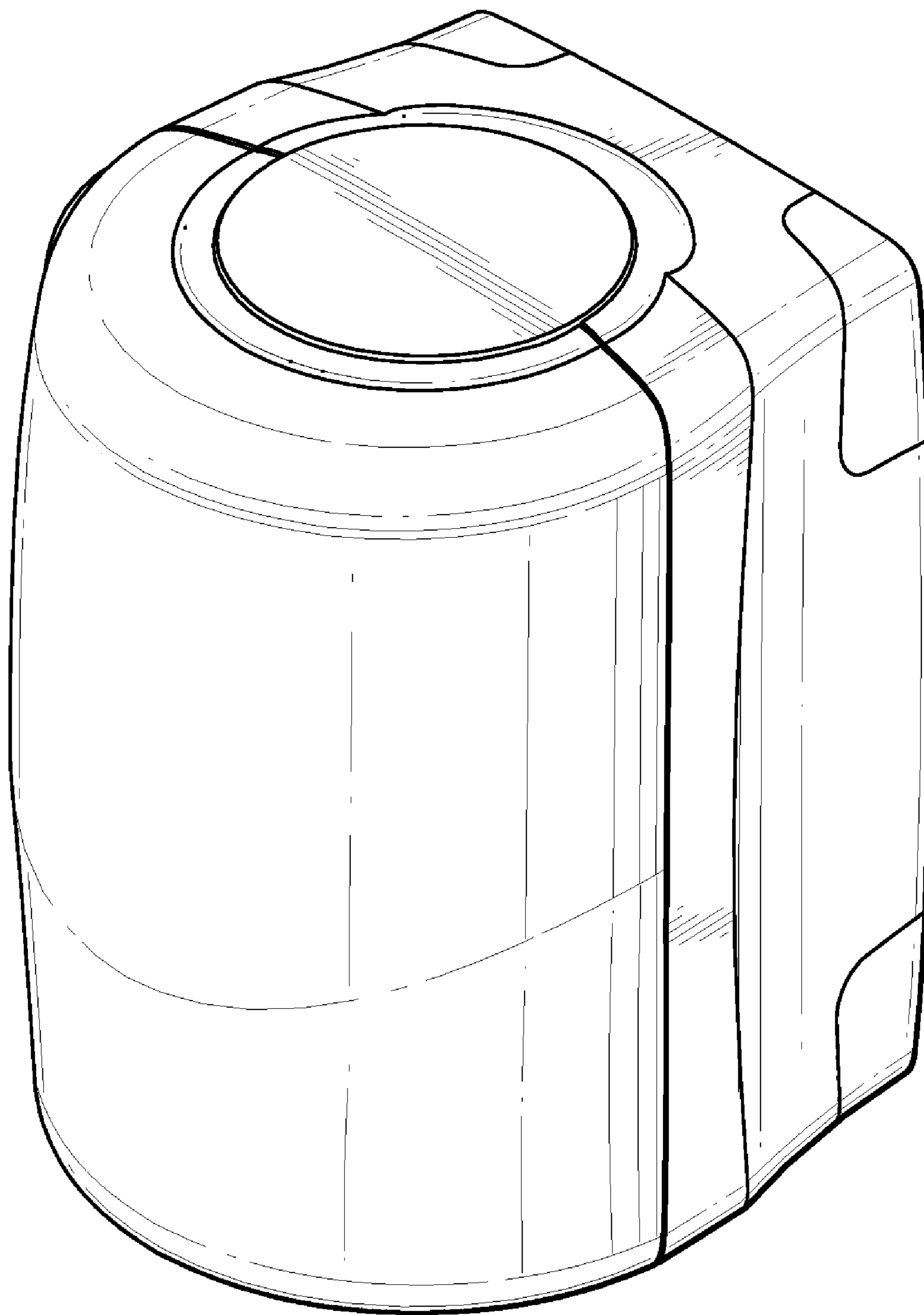


FIG. 8

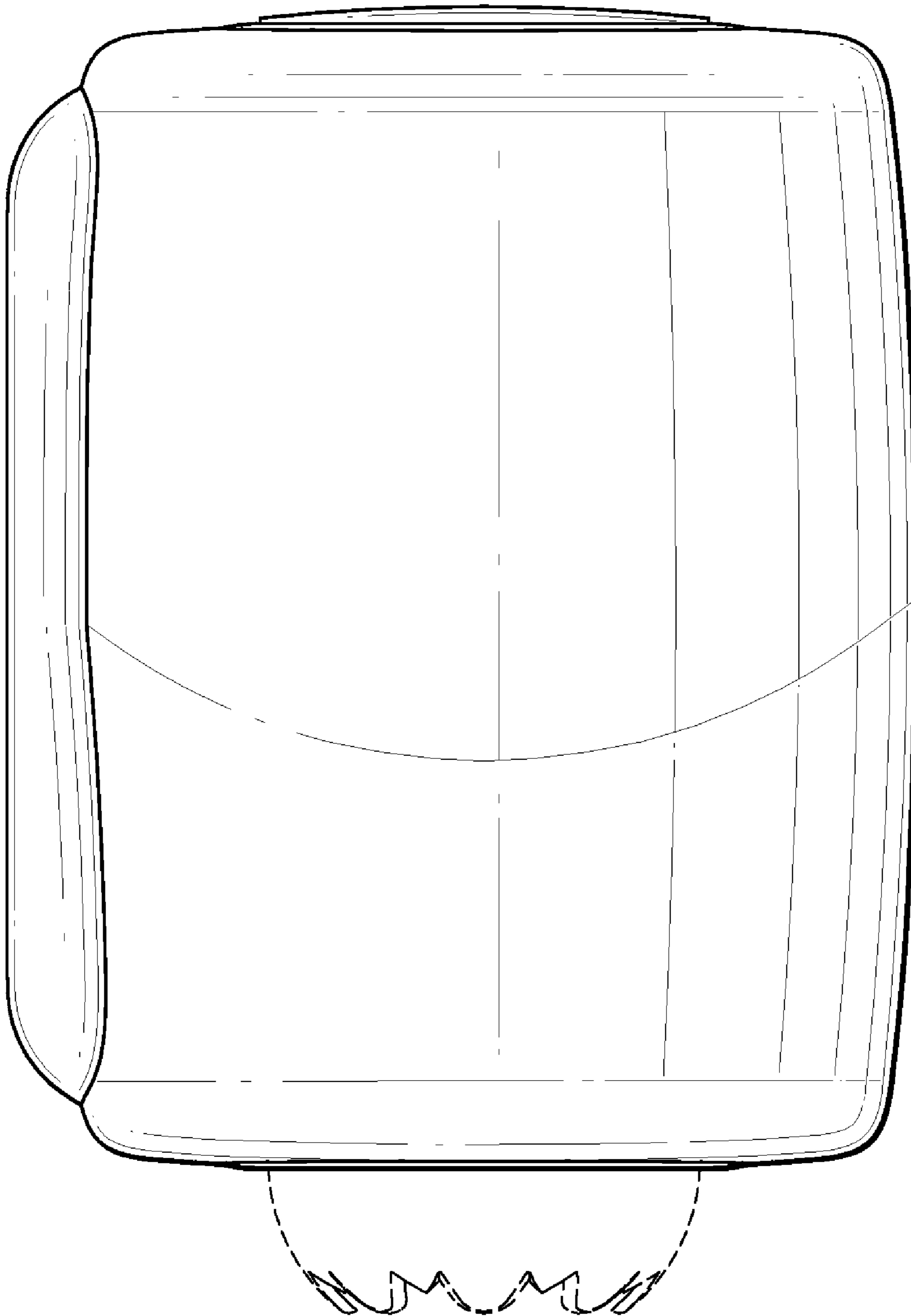


FIG. 9

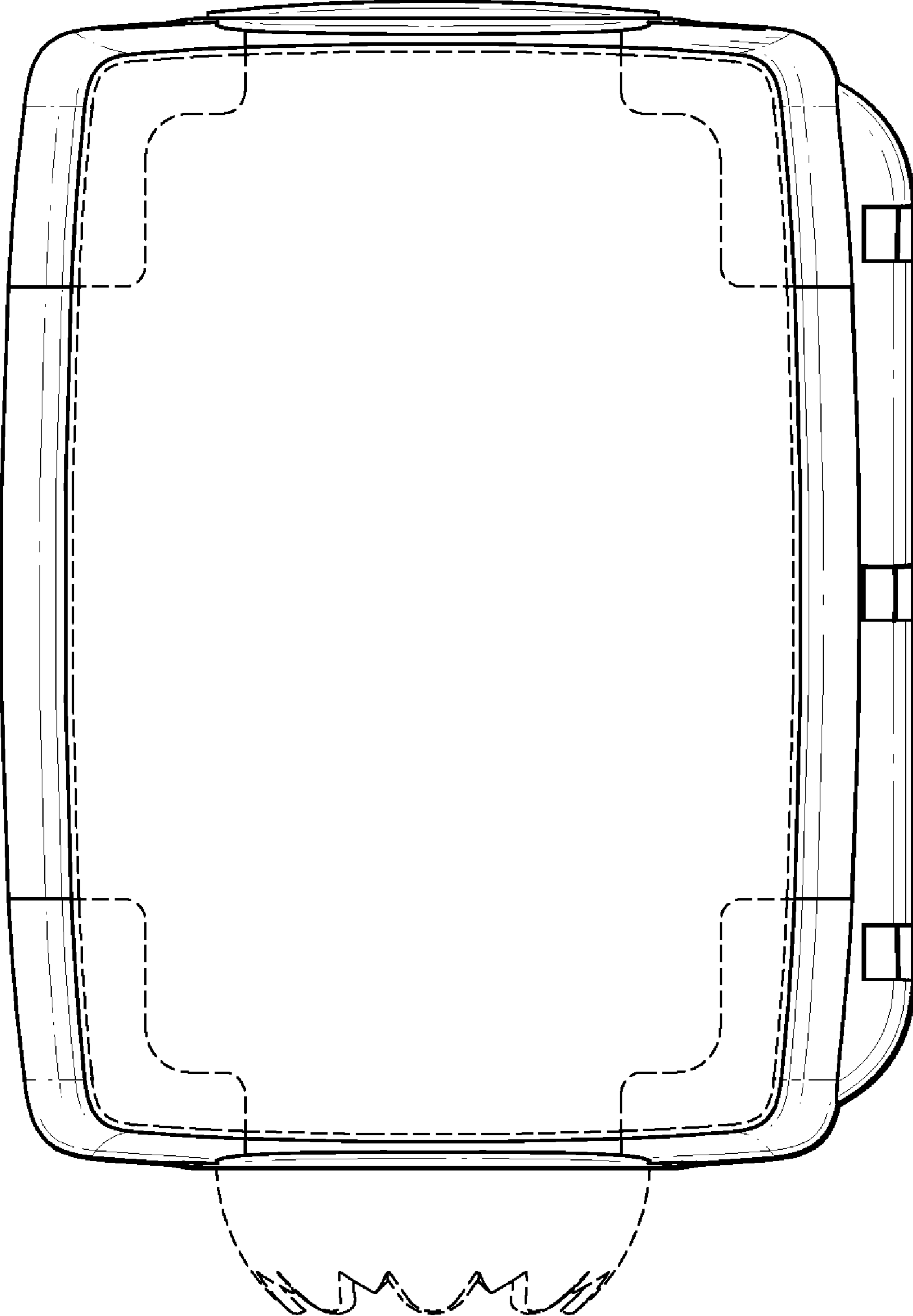


FIG. 10



FIG. 11

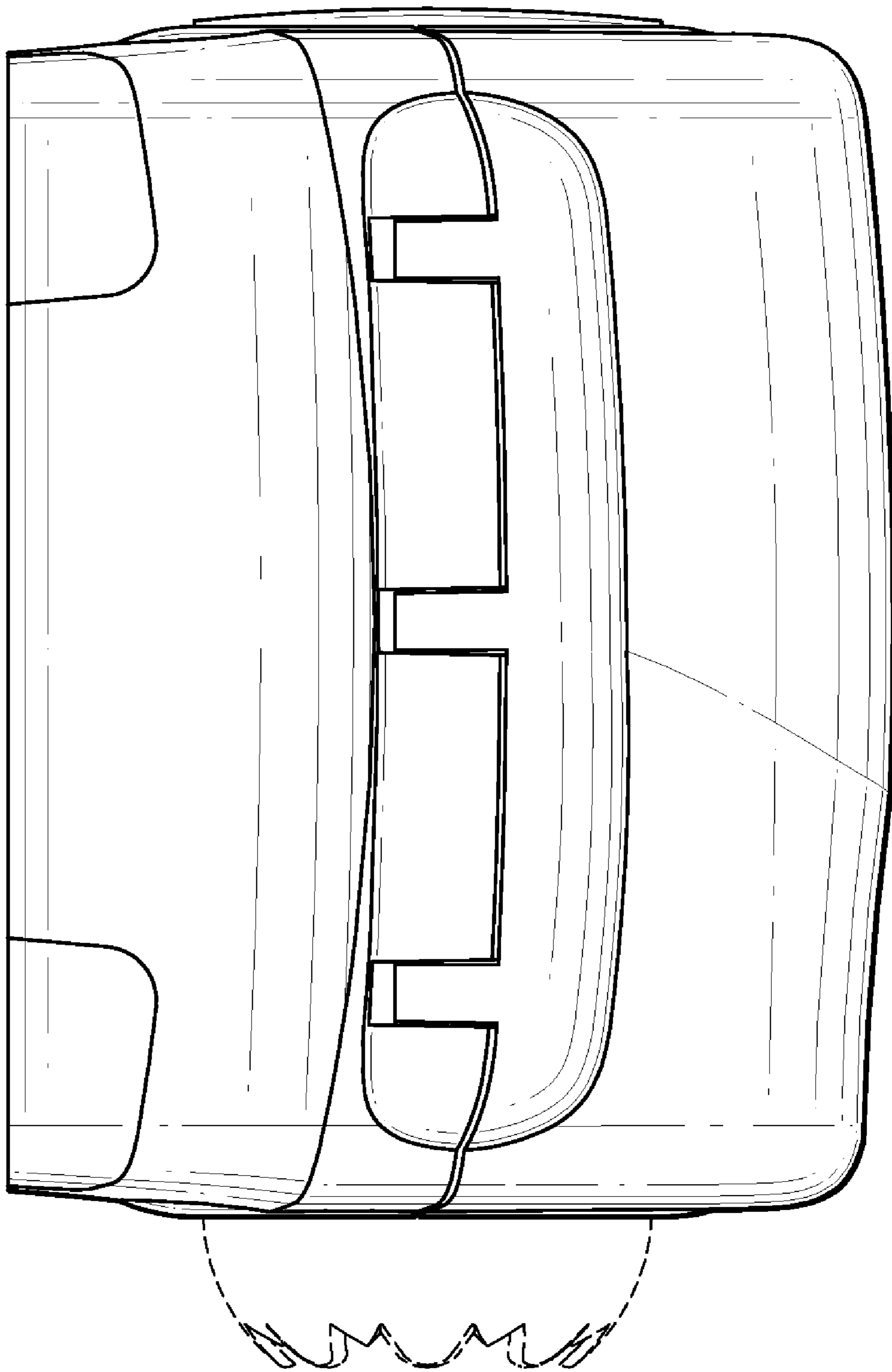


FIG. 12

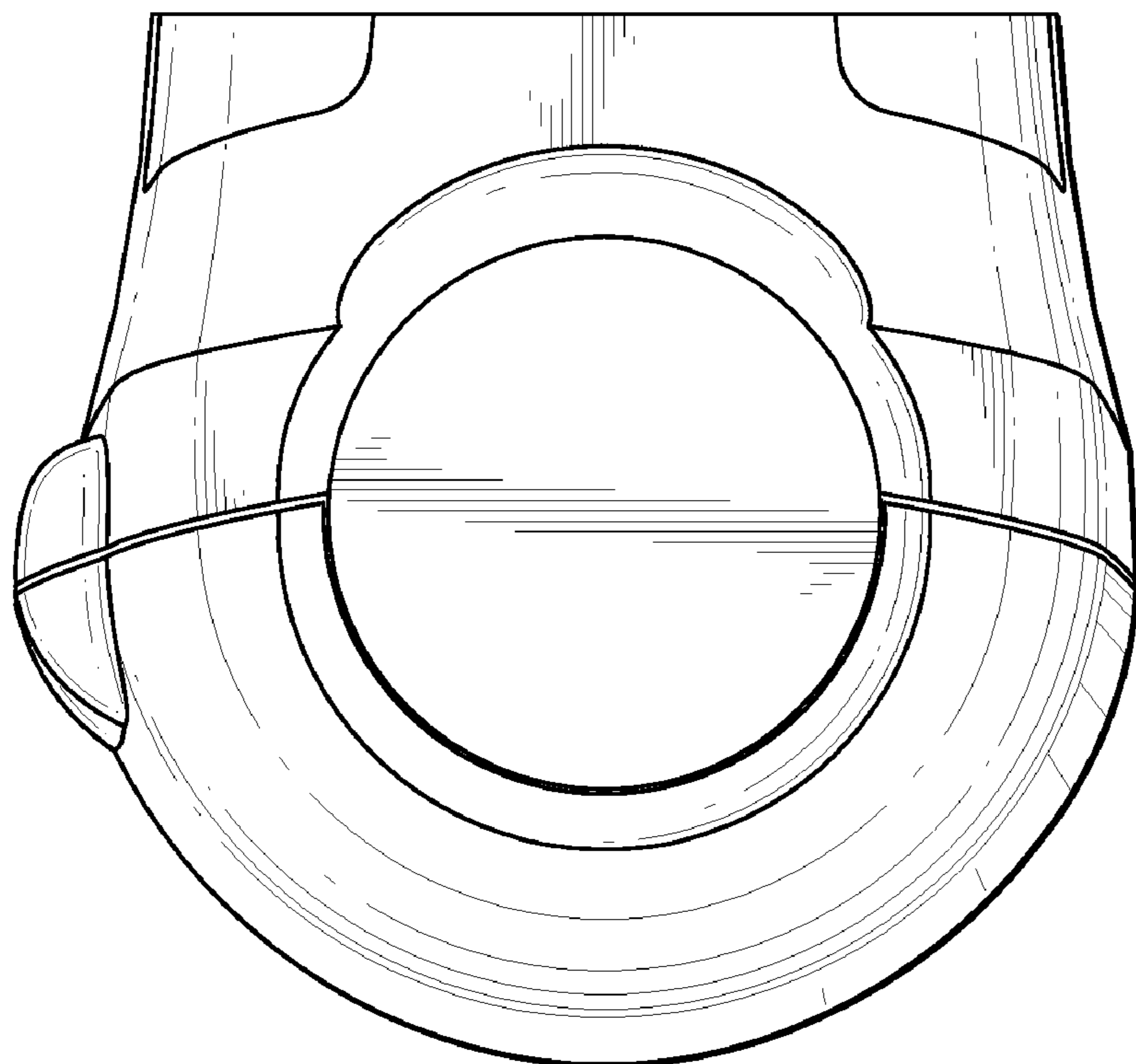


FIG. 13

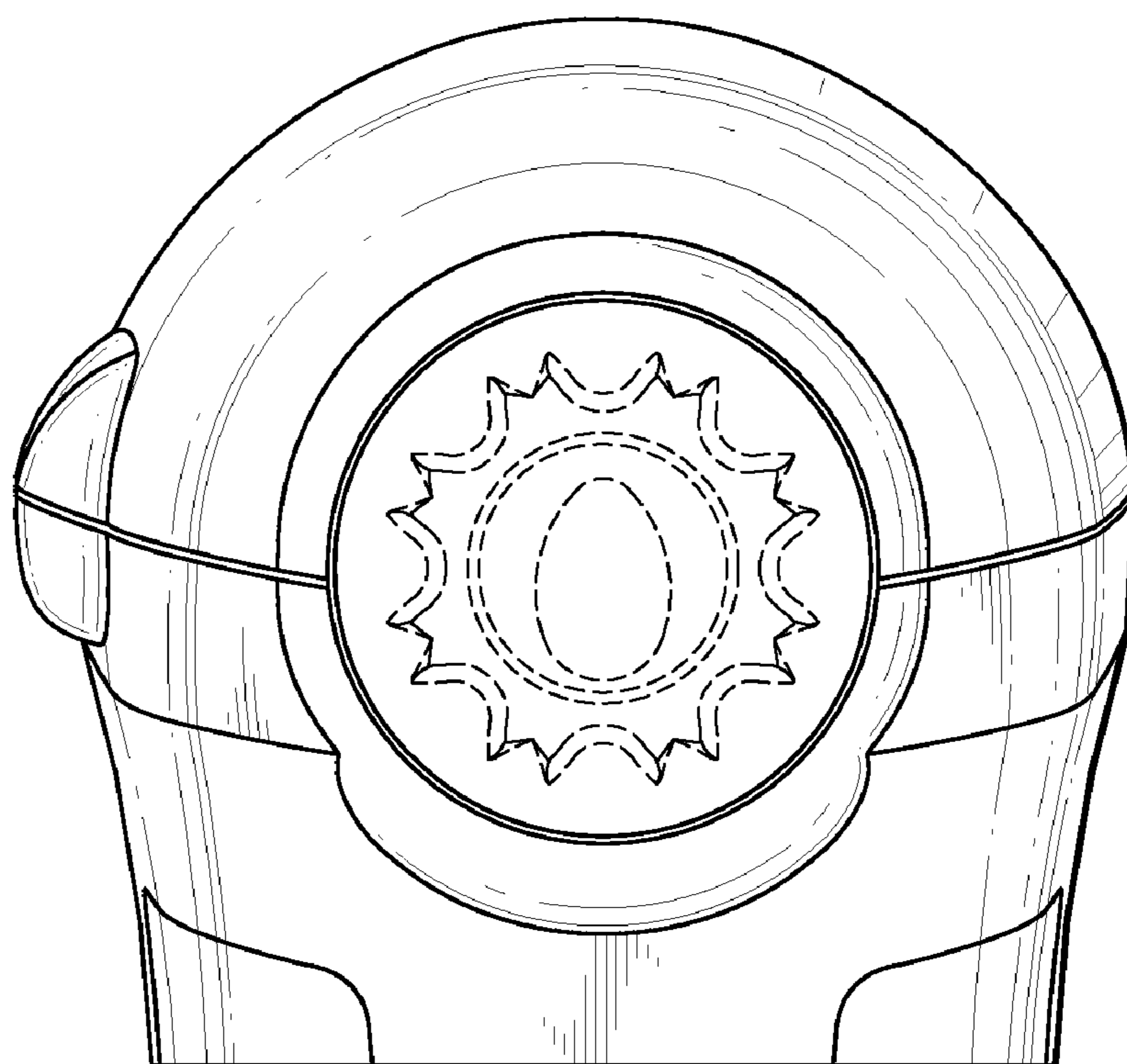


FIG. 14

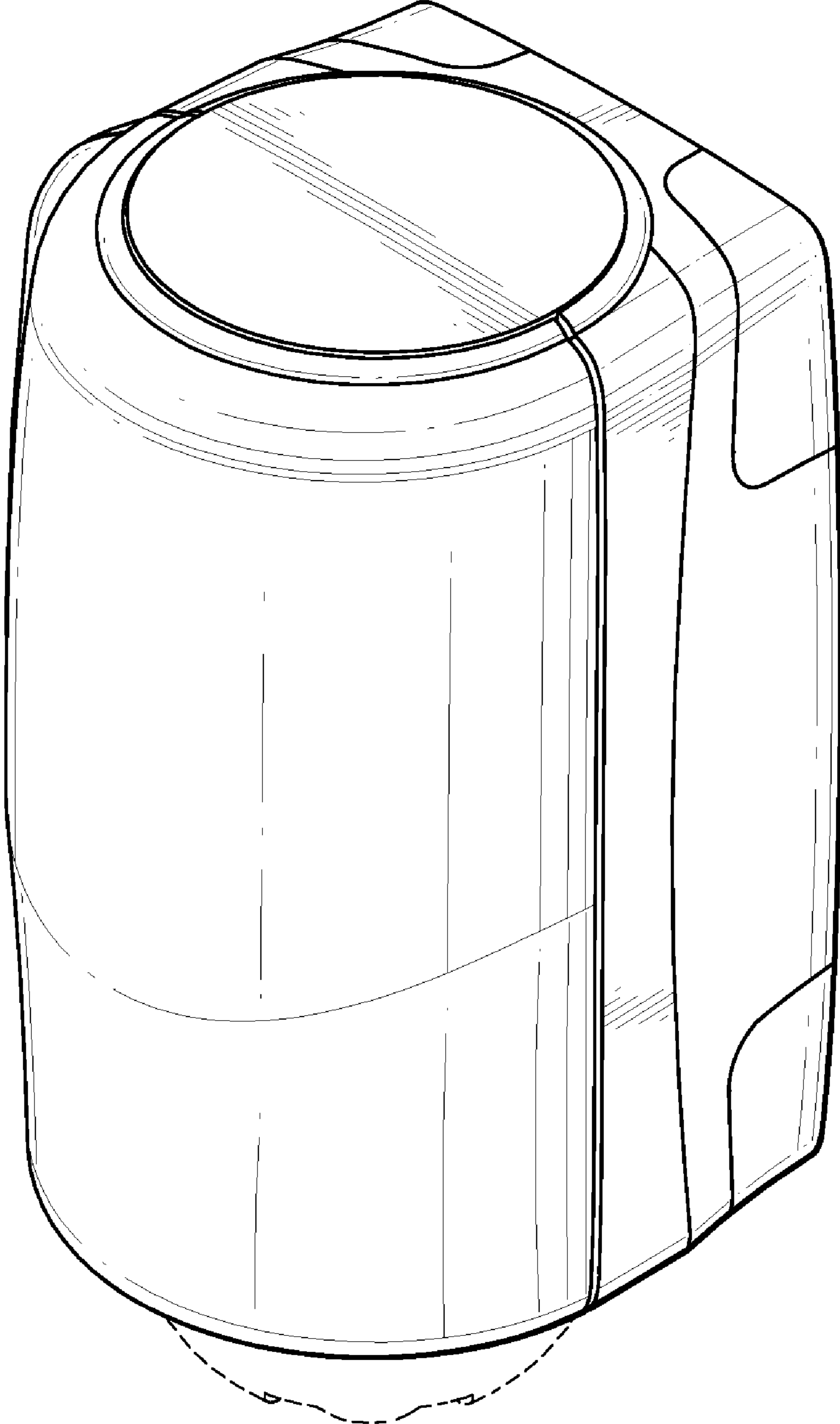


FIG. 15

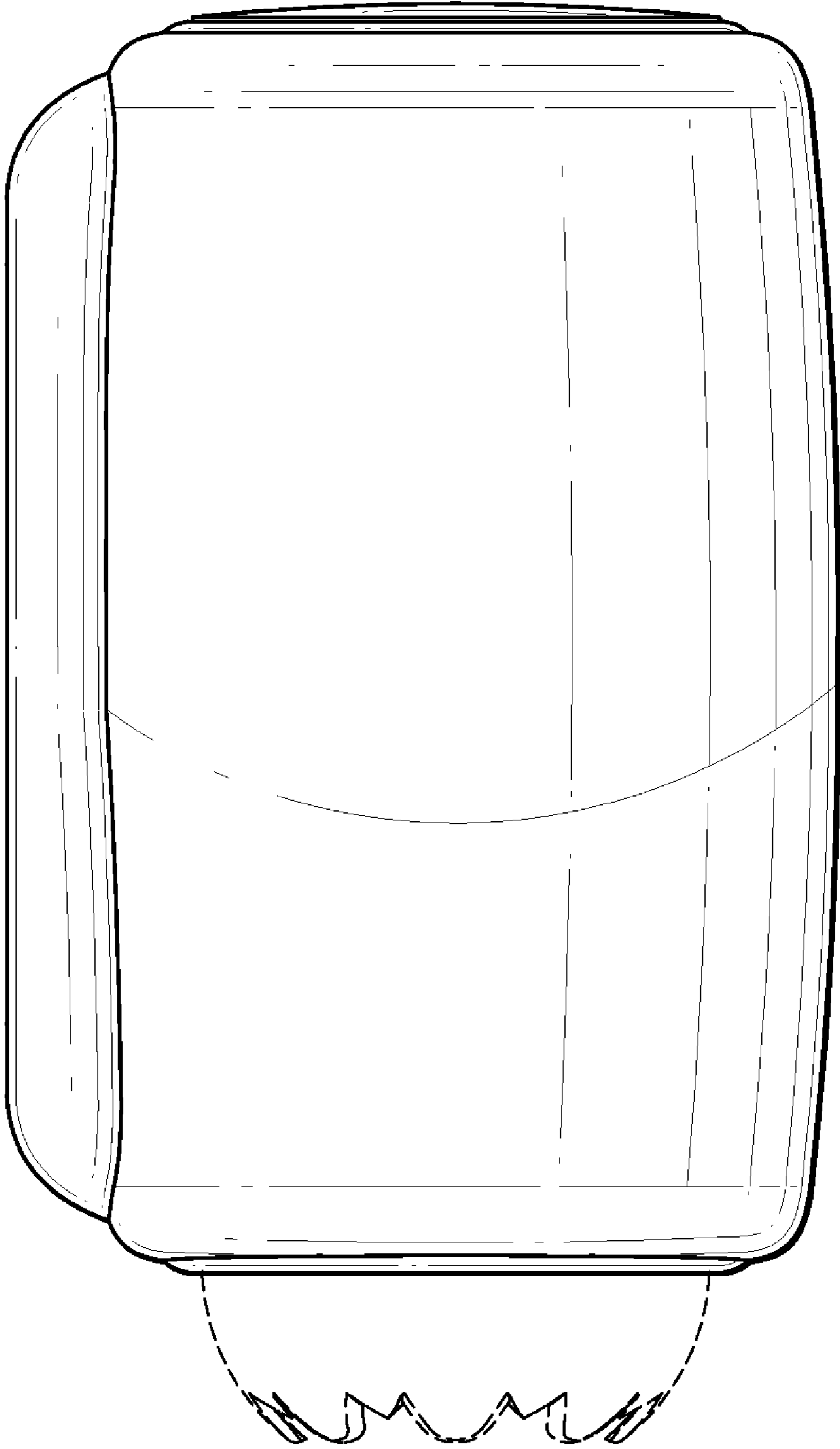


FIG. 16

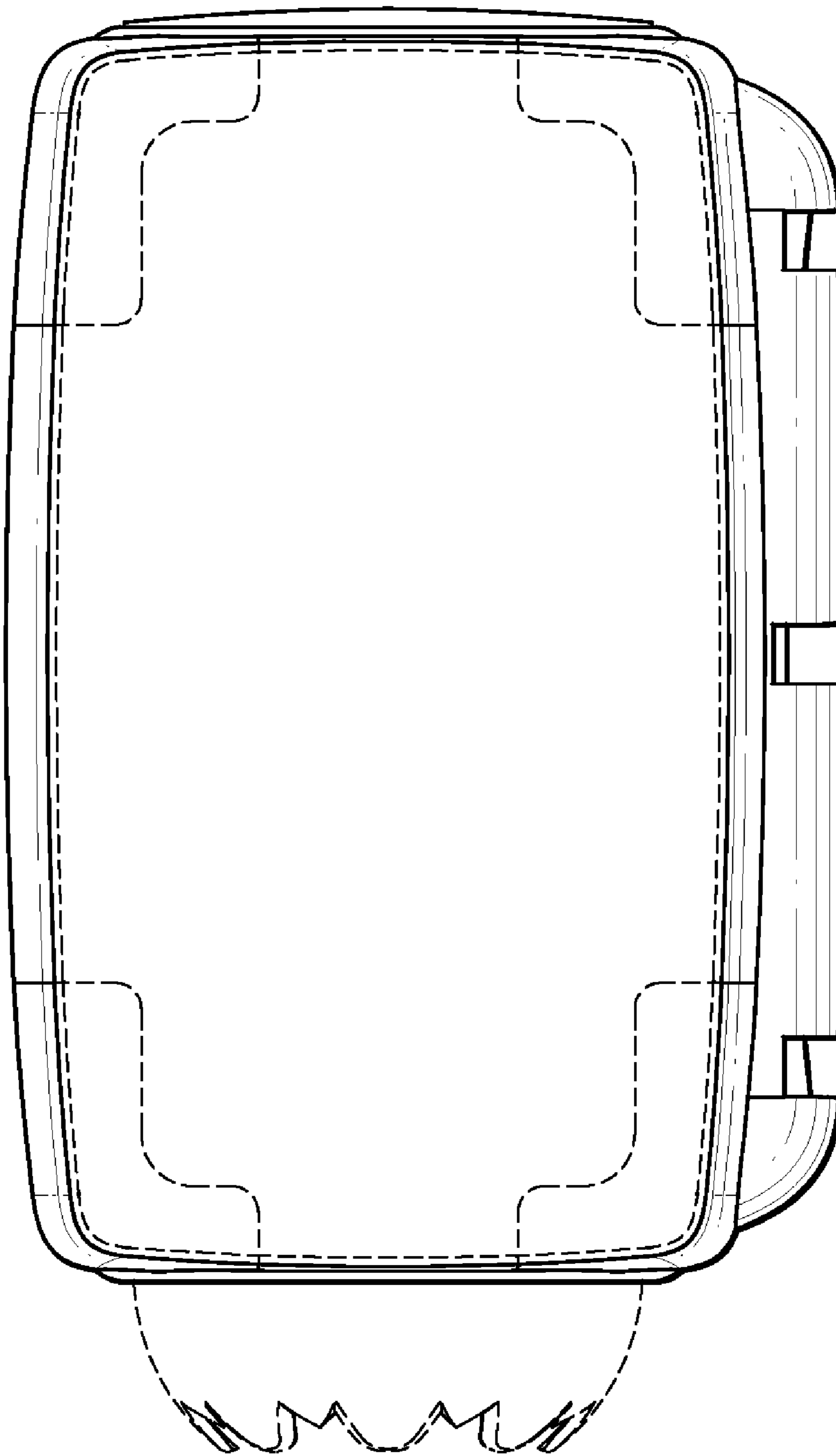


FIG. 17

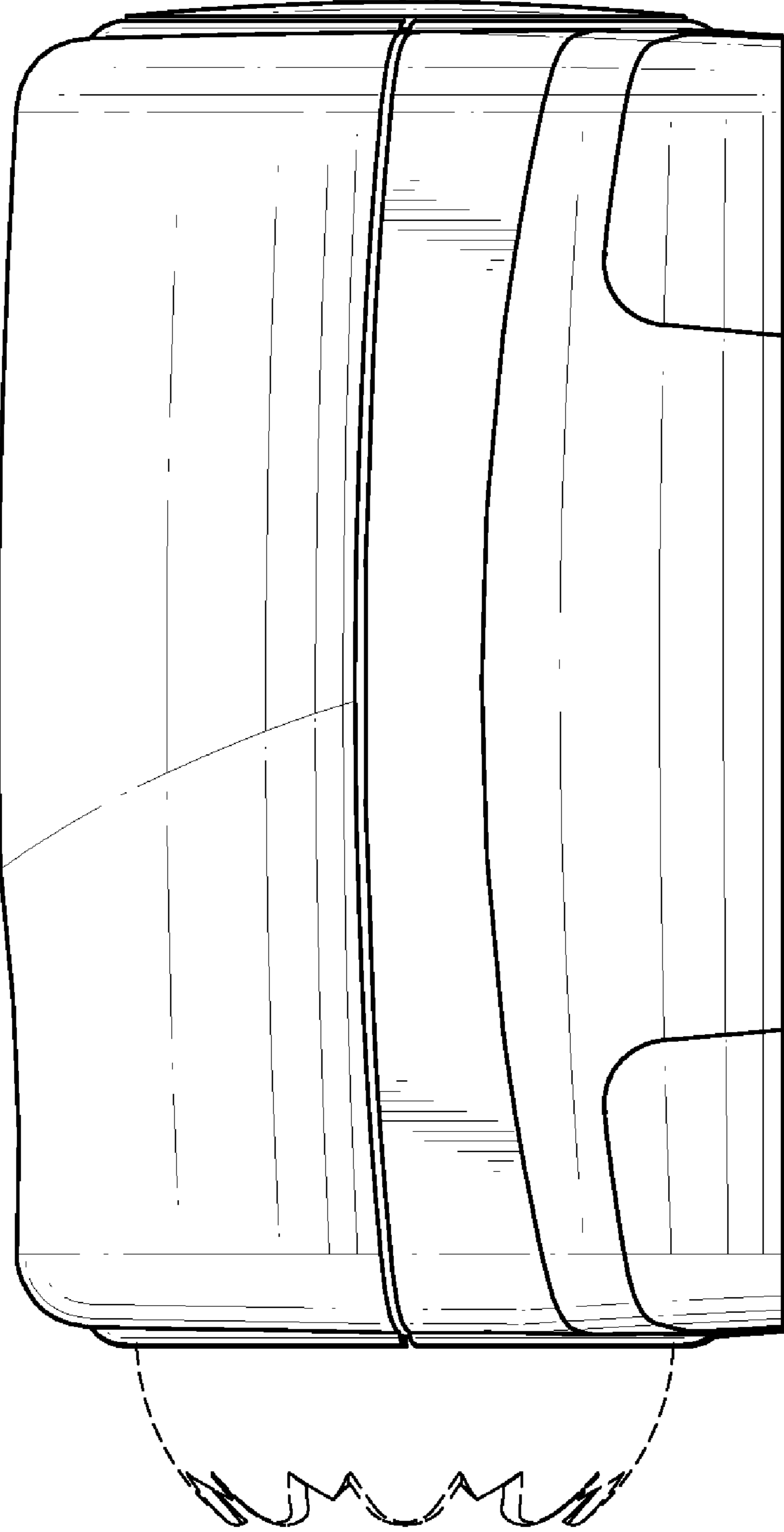


FIG. 18

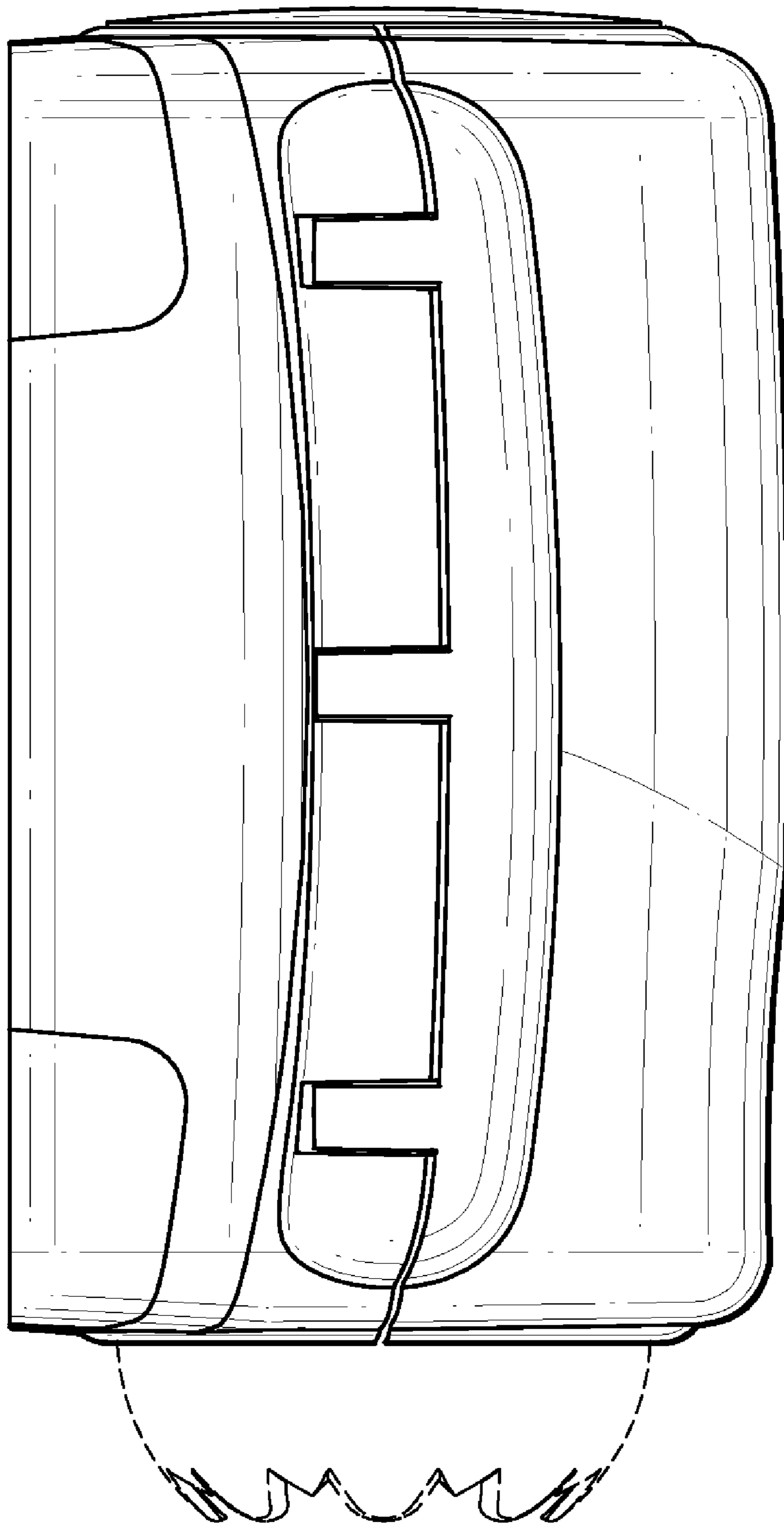


FIG. 19

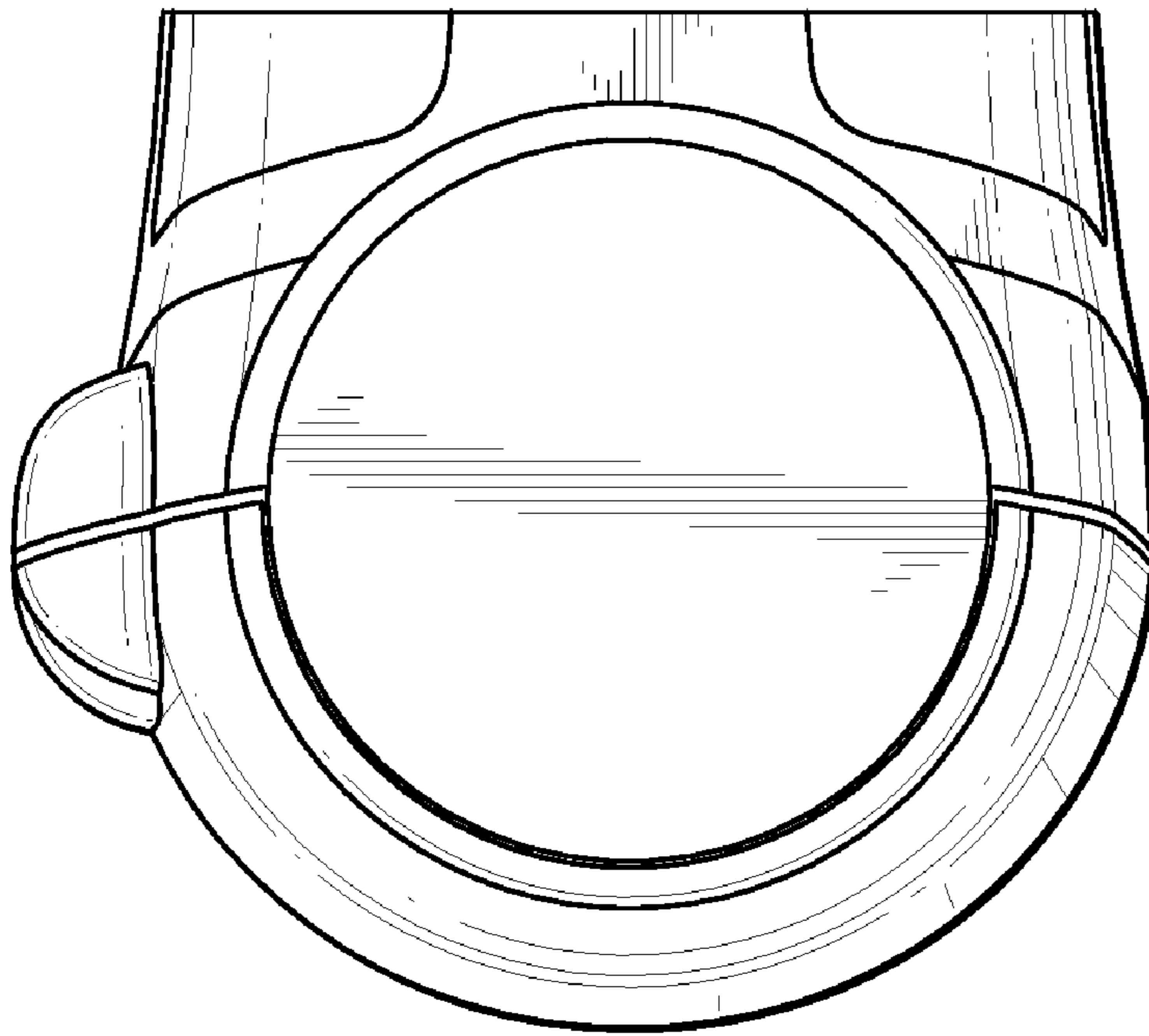


FIG. 20

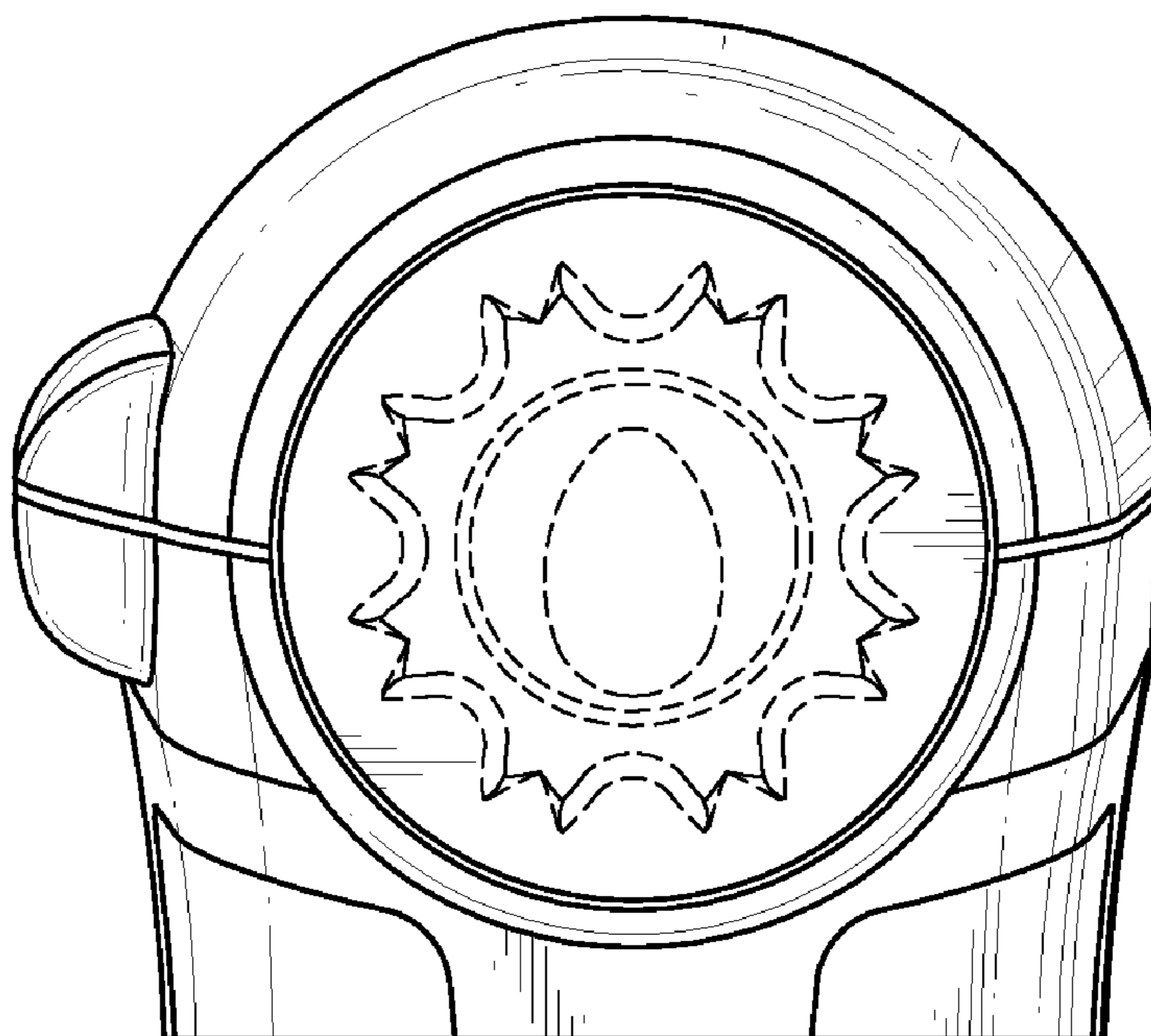


FIG. 21