



US00D623448S

(12) **United States Design Patent**
Galati, Jr. et al.

(10) **Patent No.:** **US D623,448 S**

(45) **Date of Patent:** **** *Sep. 14, 2010**

(54) **FOOT SPA LEG REST**

(75) Inventors: **Joseph J. Galati, Jr.**, Brookfield, WI
(US); **John Meyerovich**, Bal Harbour,
FL (US)

(73) Assignee: **Continuum Footspas, LLC**, New
Berlin, WI (US)

(**) Term: **14 Years**

(21) Appl. No.: **29/348,559**

(22) Filed: **Jan. 19, 2010**

(51) **LOC (9) Cl.** **06-01**

(52) **U.S. Cl.** **D6/501**

(58) **Field of Classification Search** D6/330,
D6/335-338, 340, 349-355, 358, 359, 364,
D6/366, 376, 491, 495, 500-502; 297/16.1,
297/39, 46, 135, 140, 156, 158.3, 158.4,
297/175, 177, 187, 195.1, 195.11, 211, 245,
297/423.1, 423.16, 445.1, 461, 462; D23/277,
D23/289; D24/204

See application file for complete search history.

(56) **References Cited**

U.S. PATENT DOCUMENTS

- 1,362,692 A * 12/1920 Goldstein 248/600
- 2,248,369 A * 7/1941 Ludersen 248/371
- 2,473,947 A * 6/1949 Hamstrom 297/423.45
- D166,402 S 4/1952 Manne et al.
- D167,675 S * 9/1952 Chancellor D6/336
- 3,633,967 A * 1/1972 Timmins 297/423.45
- D227,952 S 7/1973 Costabile et al.
- 3,881,471 A 5/1975 Grube
- D262,911 S * 2/1982 Weddell D24/183
- D282,609 S 2/1986 Stulik
- D288,993 S 3/1987 Grimsrud
- 4,767,160 A * 8/1988 Mengshoel et al. 297/423.12
- D327,176 S * 6/1992 Gil D6/335
- D339,012 S * 9/1993 Sexton D6/501
- D346,043 S 4/1994 Galati, Jr. et al.
- D352,401 S * 11/1994 Bonazza D6/336
- 5,593,212 A * 1/1997 Praria et al. 297/423.44

- D391,408 S 3/1998 Lee
- D424,819 S 5/2000 Galati, Jr. et al.
- D429,380 S * 8/2000 Fontier et al. D28/56
- D434,916 S 12/2000 Galati, Jr. et al.
- D435,371 S 12/2000 Galati, Jr. et al.
- D450,390 S 11/2001 Tran
- 6,503,212 B2 1/2003 Park
- D479,919 S * 9/2003 Genelli et al. D6/336
- 6,732,387 B1 5/2004 Waldron
- D498,599 S 11/2004 Luong
- 6,874,184 B2 * 4/2005 Chandler 5/648
- 6,880,182 B2 4/2005 Gruenwald
- D508,616 S 8/2005 Ziliani

(Continued)

OTHER PUBLICATIONS

AmeriSpa web pages, printed in 2007, 6 pages (<http://www.amerispa.com/main.html>).

(Continued)

Primary Examiner—Sandra Snapp
(74) *Attorney, Agent, or Firm*—Ryan Kromholz & Manion,
S.C.

(57) **CLAIM**

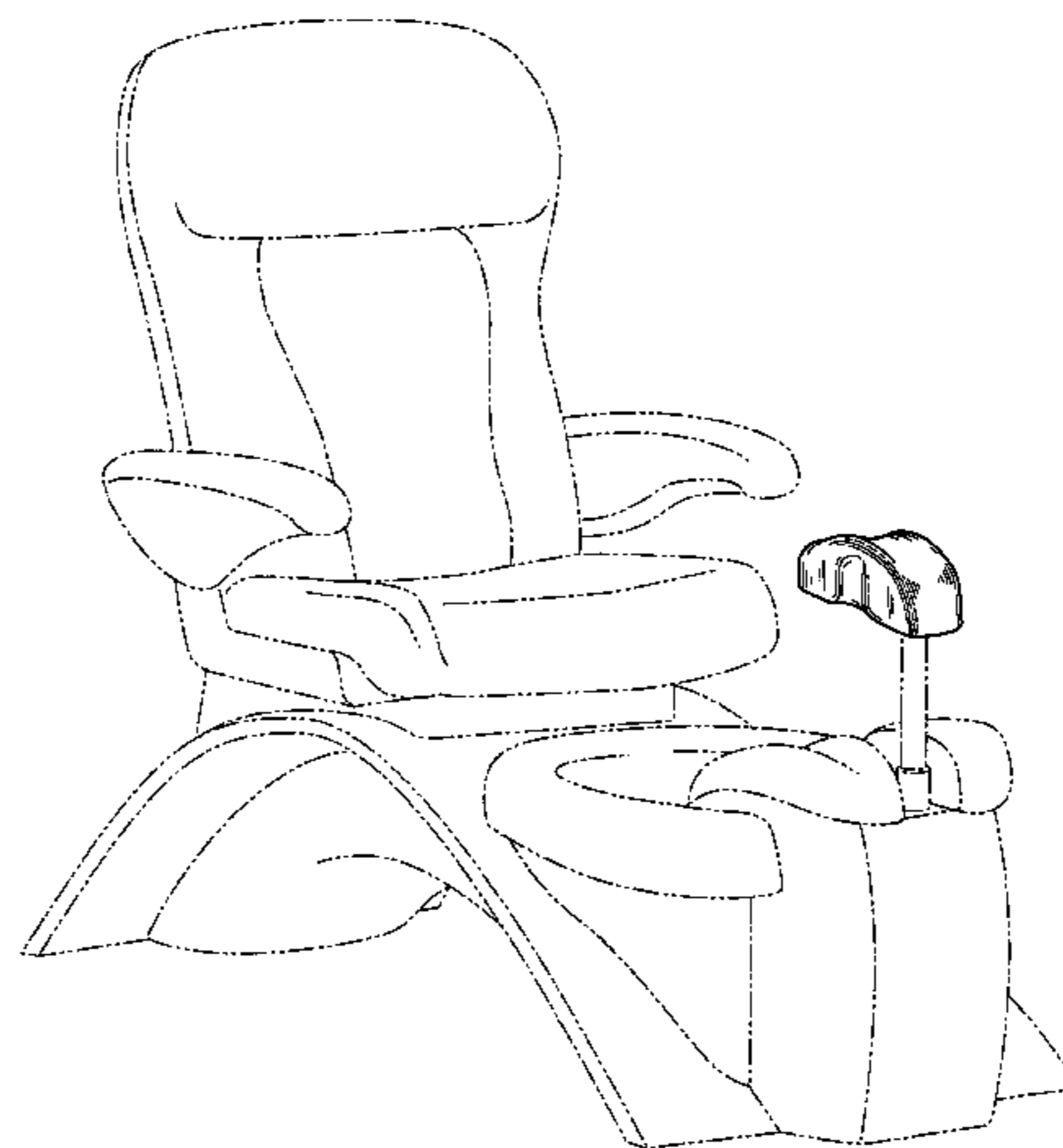
The ornamental design for a foot spa leg rest, as shown and described.

DESCRIPTION

- FIG. 1 is a perspective view of our foot spa leg rest;
- FIG. 2 is a another perspective view;
- FIG. 3 is a right side elevation view;
- FIG. 4 is a left side elevation view;
- FIG. 5 is a top plan view;
- FIG. 6 is a bottom plan view;
- FIG. 7 is a front elevation view; and,
- FIG. 8 is a rear elevation view.

The broken lines shown in the drawings are for illustrative purposes only and form no part of the claimed design.

1 Claim, 3 Drawing Sheets



U.S. PATENT DOCUMENTS

D509,371	S	9/2005	Natuzzi	
D526,505	S	8/2006	Gruenwald et al.	
D531,420	S	11/2006	Kita	
7,168,107	B2	1/2007	Gruenwald	
D541,060	S	4/2007	Fugate et al.	
7,228,579	B2 *	6/2007	Tidwell	5/624
D548,987	S	8/2007	McNae	
D549,999	S	9/2007	Fugate et al.	
D559,570	S	1/2008	Higgs et al.	
7,322,949	B2 *	1/2008	Shimizu	601/90
D562,575	S	2/2008	Le	
D568,485	S	5/2008	Ton	
D569,986	S	5/2008	Ton	
D571,018	S	6/2008	Ton et al.	
D574,502	S	8/2008	Ton	
D576,806	S	9/2008	Le	
D576,807	S	9/2008	Le	
D583,957	S	12/2008	Bromilow	
D588,707	S	3/2009	Mai et al.	
D592,312	S	5/2009	Cheng	
D596,417	S *	7/2009	Bowen	D6/353
7,669,934	B1 *	3/2010	Cline	297/423.45
2004/0177438	A1	9/2004	Gruenwald et al.	
2004/0244107	A1	12/2004	Waldron	
2005/0183198	A1	8/2005	Gruenwald	
2007/0226896	A1	10/2007	Fugate et al.	
2007/0226897	A1	10/2007	Fugate	

OTHER PUBLICATIONS

Belvedere Company web pages, printed in 2007, 7 pages (<http://www.belvedere.com/home.aspx>).

European Touch web pages, printed in 2007, 8 pages (<http://europeantouch.com>).

Gulstream Plastics Ltd. web pages, printed in 2007, 7 pages (<http://www.gulstreamplastic.com>).

J&A USA web pages, printed in 2007, 10 pages. (<http://www.jausainc.com>).

Lexor Footspas Inc. web pages, printed in 2007, 3 pages (<http://www.lexorinc.com>).

Salon Equipment, Inc. web pages, printed in 2007, 4 pages (<http://www.oasis-se.com/spas/>).

ProSpa Inc., web pages, printed in 2007, 2 pages (<http://www.prospatcom/>).

Salon Tech, web pages, printed in 2007, 2 pages (<http://www.salontech.com/st2007/>).

Skyline Beauty Supply Corp. - Whale Spa, web pages, printed Mar. 20, 2008, 6 pages (<http://skylinebeautysupply.com>).

Vnf International, web pages, printed Mar. 20, 2008, 6 pages (<http://www.pssnell-service.com/Manufacturer.htm>).

T4 Spa Concepts & Design, web pages, printed Mar. 20, 2008, 7 pages (<http://www.t4spa.com>).

Spa Zi, Division of LC Corp., web pages, printed Mar. 20, 2008, 4 pages (<http://www.thespazi.com>).

SANIJET - Pipeless Pedicure Equipment, web pages, printed Mar. 20, 2008, 2 pages (http://www.sanijet.com/Products_Pedicure.aspx).

Aqua Spas, web pages, printed Mar. 20, 2008, 3 pages (<http://aquaspal.com>).

Beauty Mall Ltd., web pages, printed Mar. 20, 2008, 6 pages (<http://beautymallltd.com>).

Euro Spa, web page, printed Mar. 20, 2008, 1 page (<http://www.princesspedicurespas.com/manufacturer/eurospa.html#bella320>).

* cited by examiner

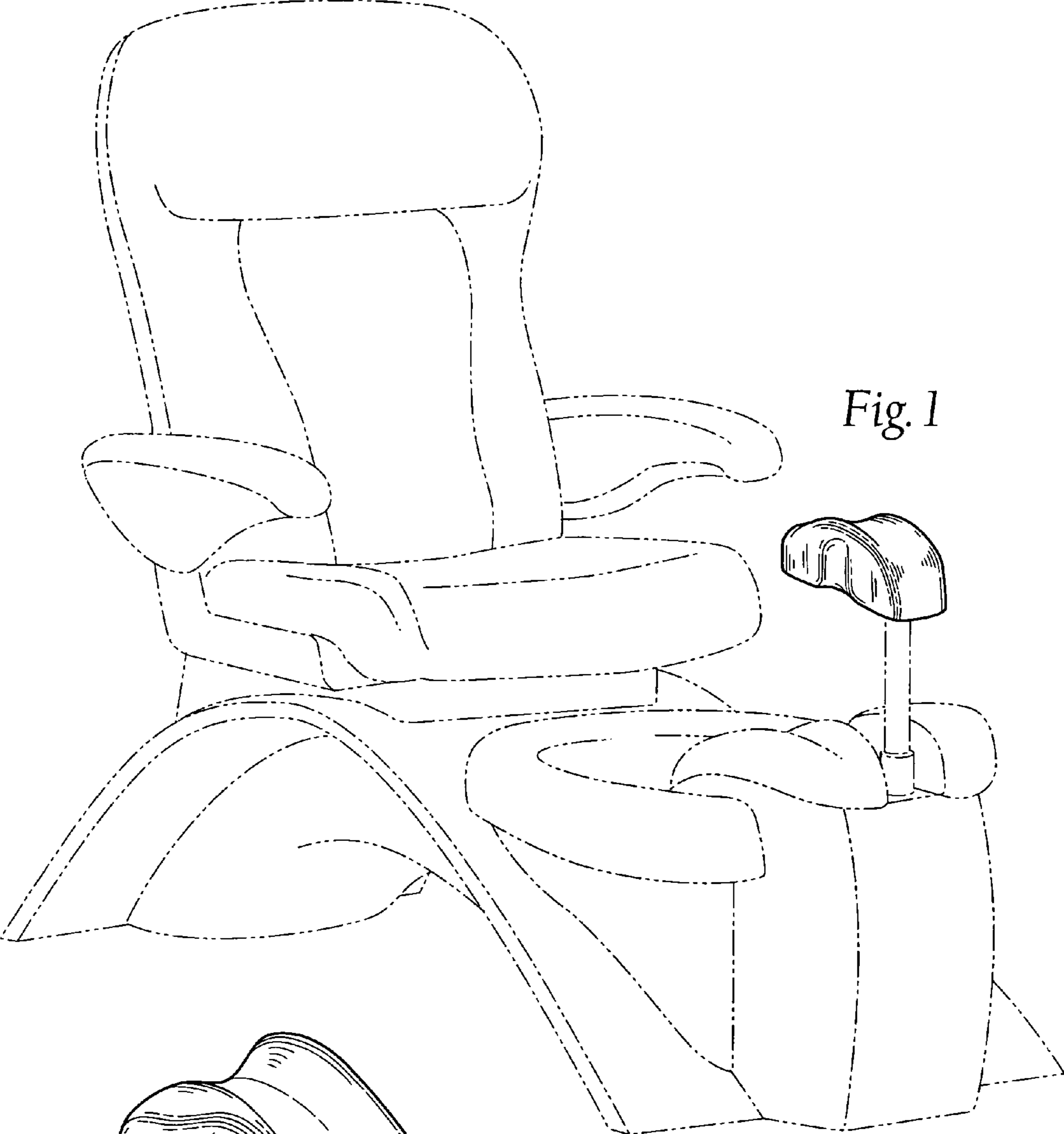


Fig. 1

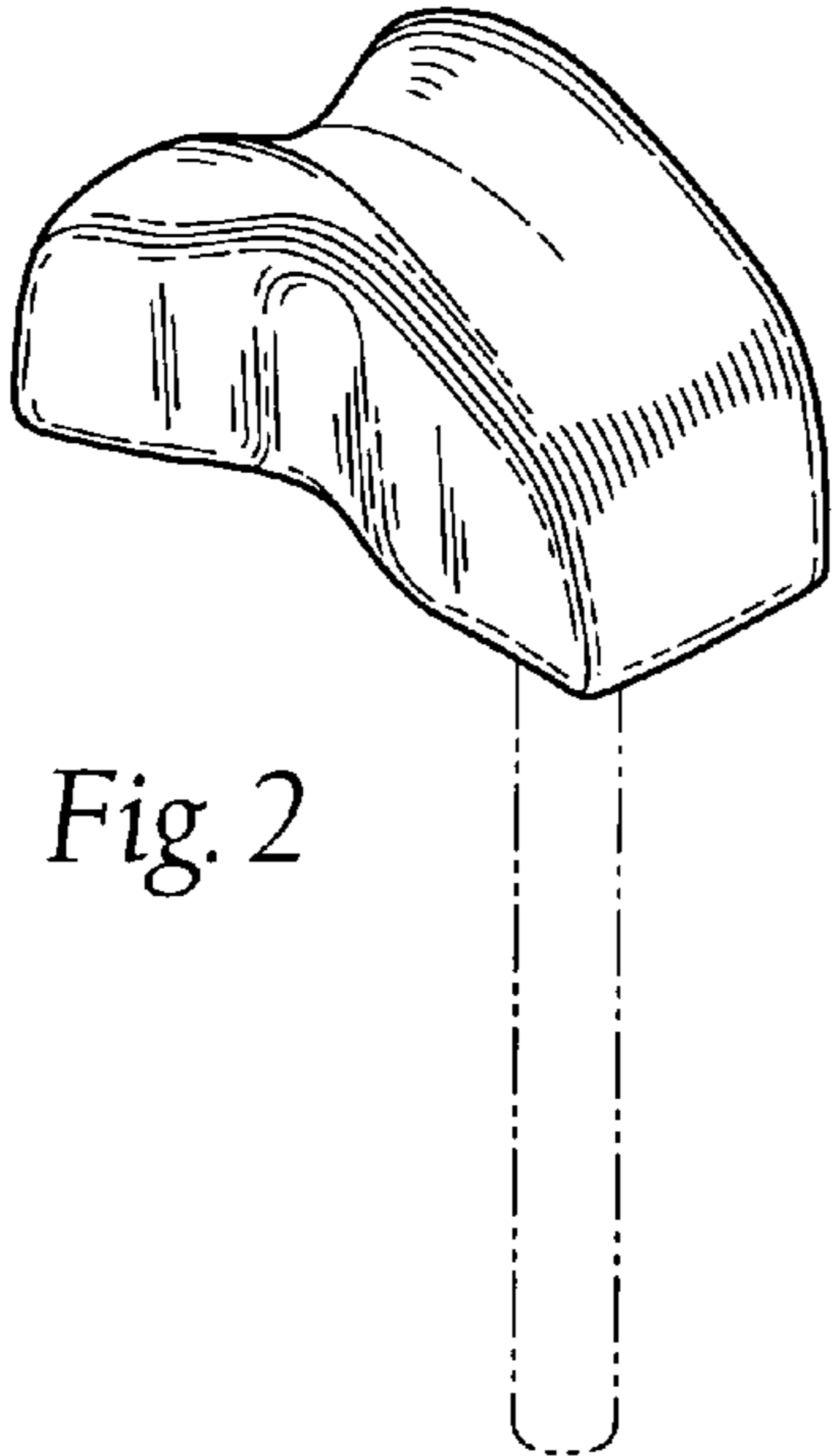


Fig. 2

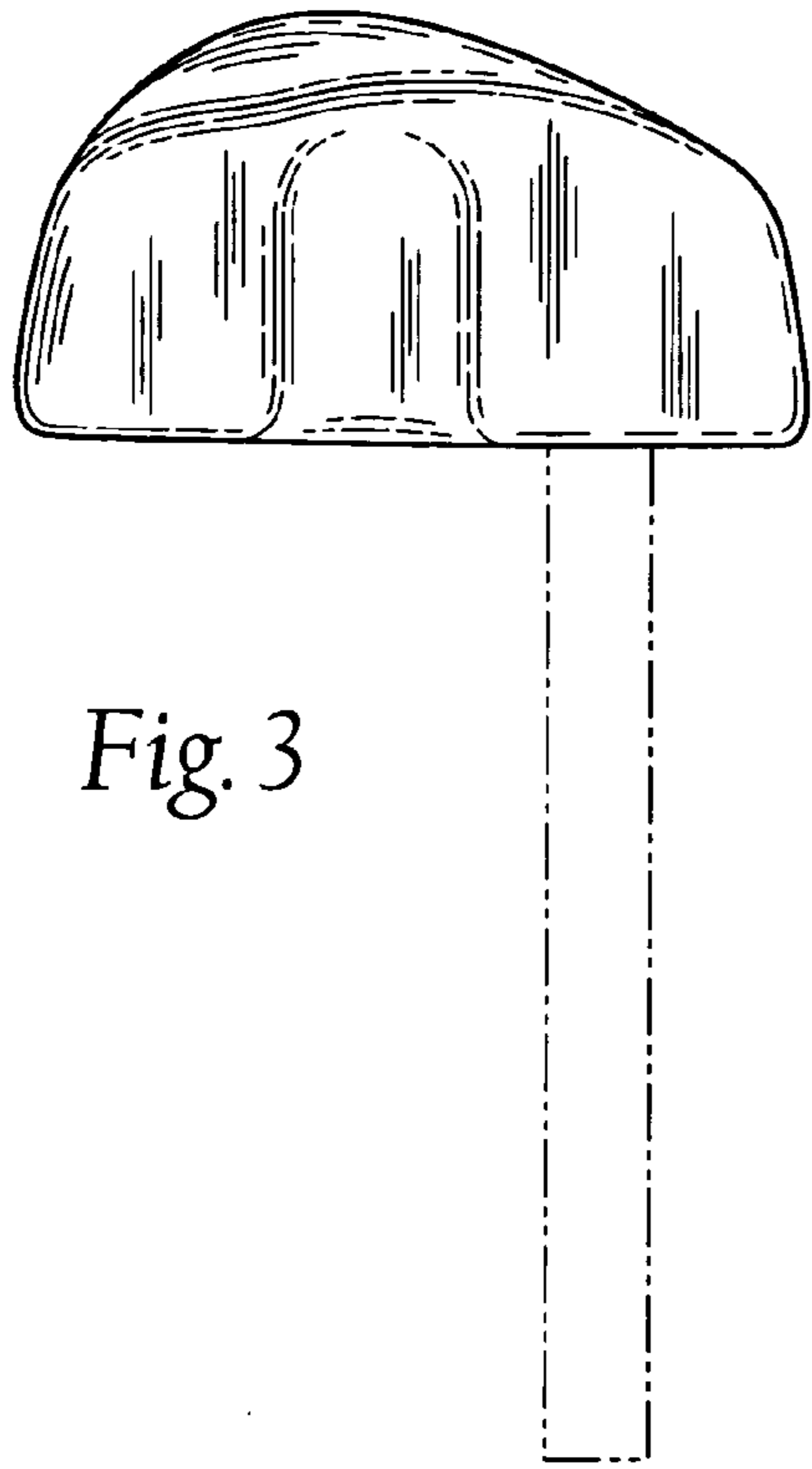


Fig. 3

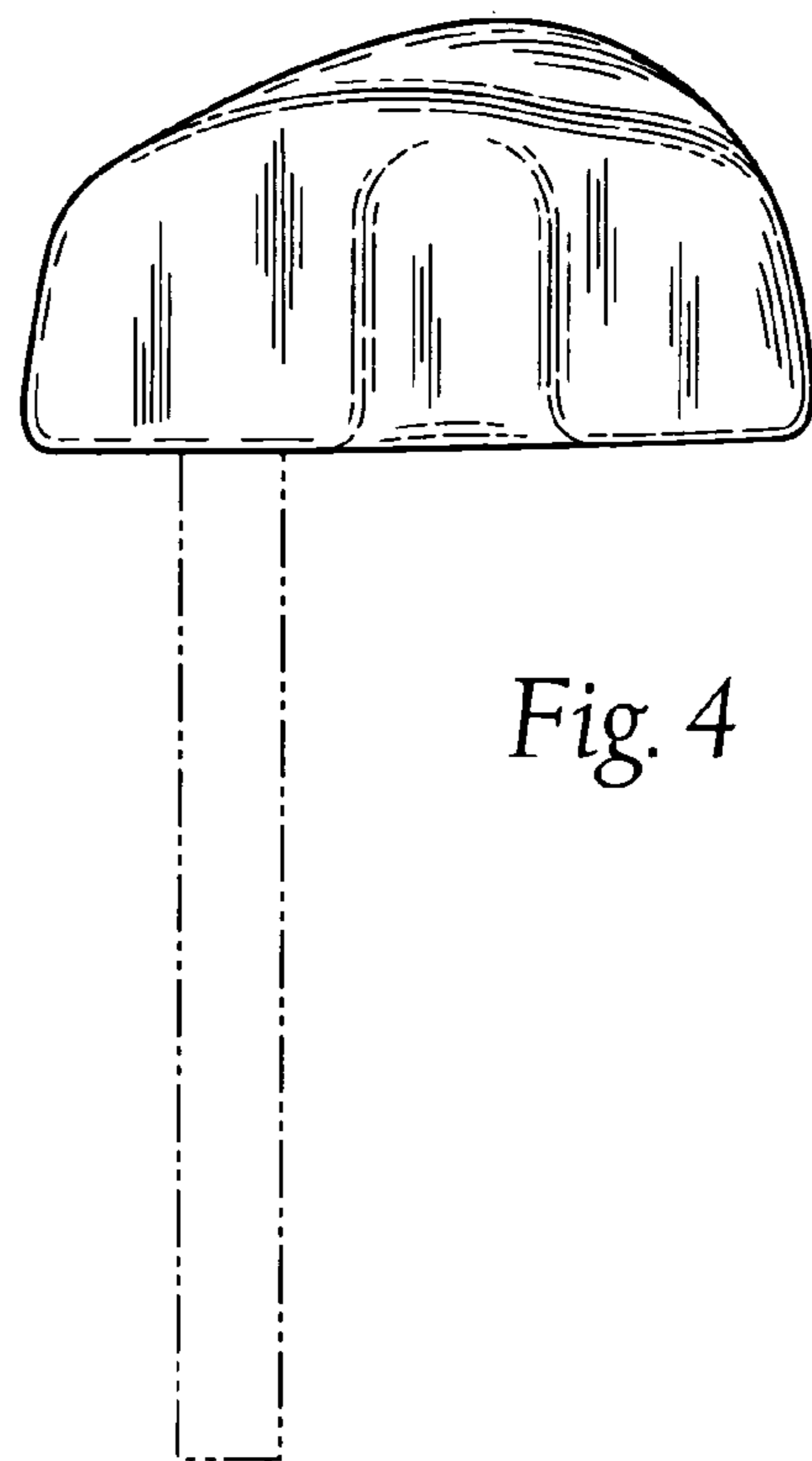


Fig. 4

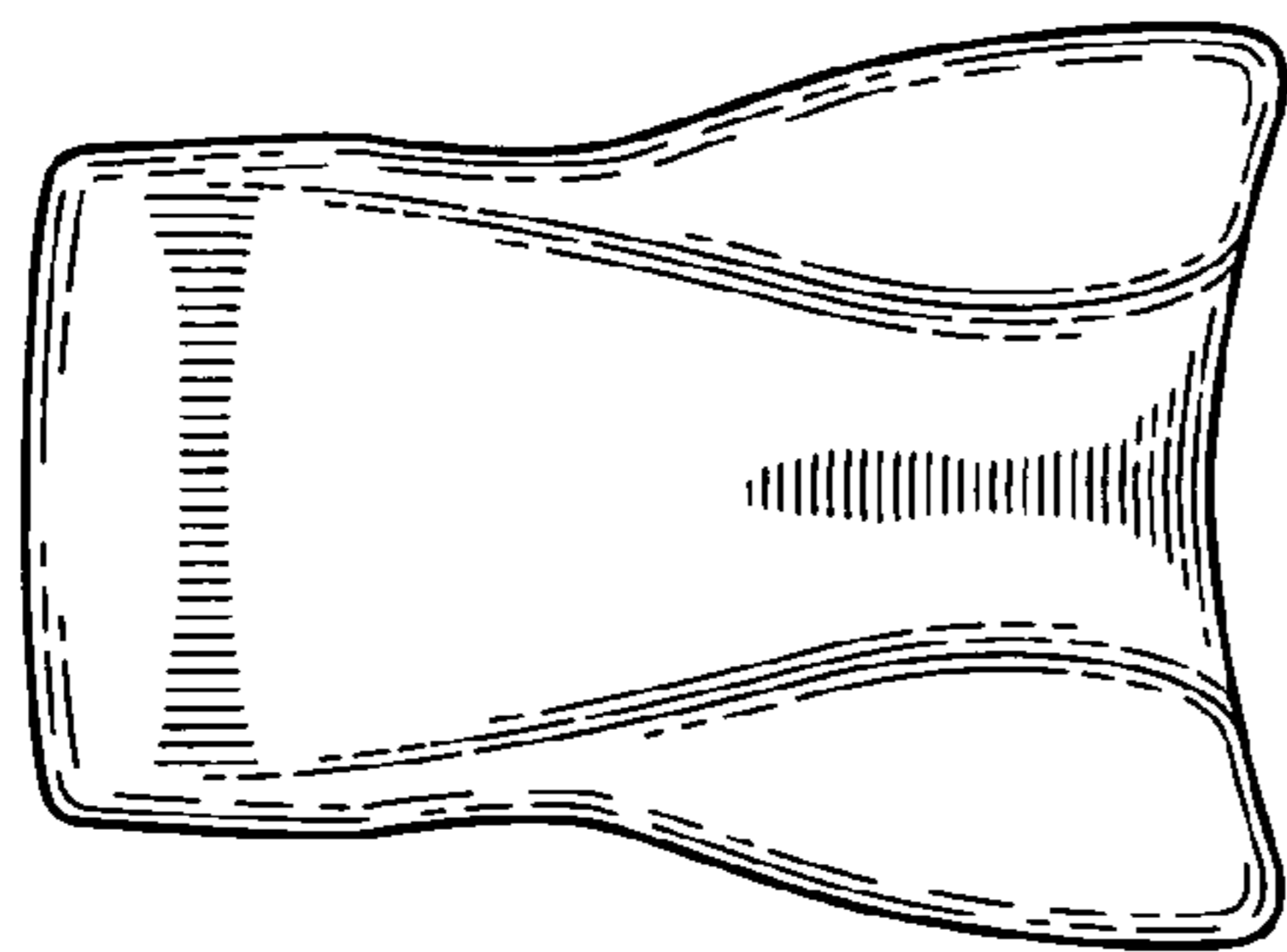


Fig. 5

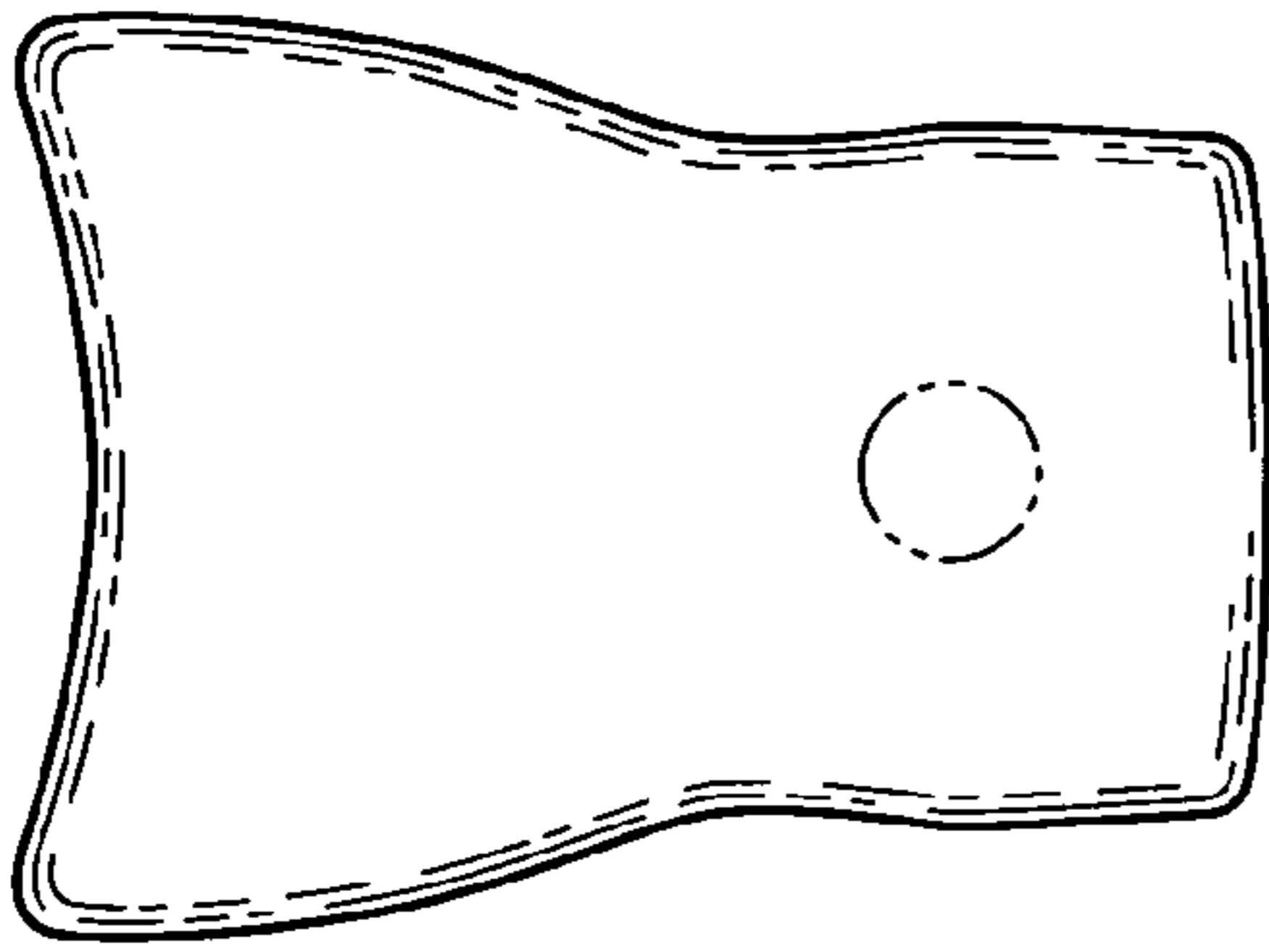


Fig. 6

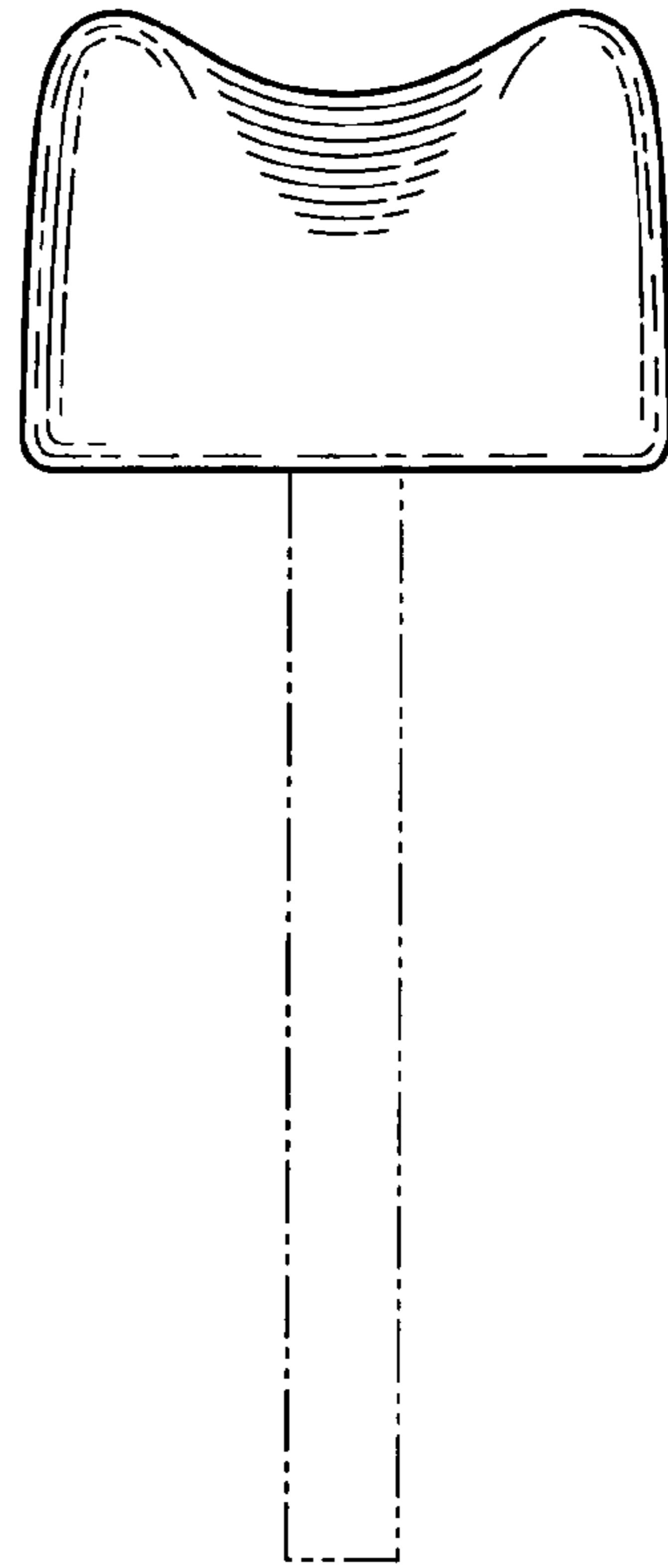


Fig. 7

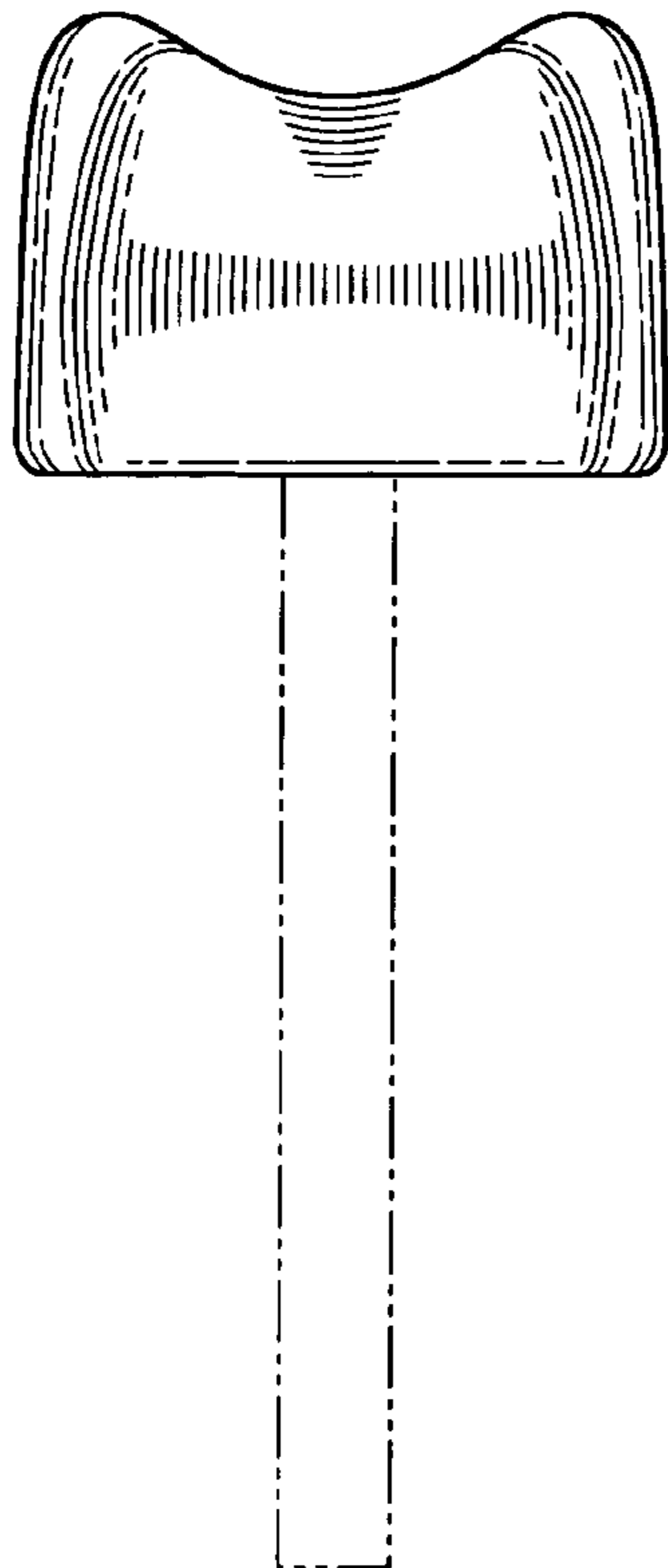


Fig. 8