



US00D623447S

(12) **United States Design Patent**  
**Kubryk**

(10) **Patent No.:** **US D623,447 S**

(45) **Date of Patent:** **\*\* Sep. 14, 2010**

(54) **TASK CHAIR**

(76) **Inventor:** **Isaac Kubryk**, 18251 Highway 88,  
Lockeford, CA (US) 95237

(\*\*) **Term:** **14 Years**

(21) **Appl. No.:** **29/349,079**

(22) **Filed:** **Mar. 5, 2010**

(51) **LOC (9) Cl.** ..... **06-01**

(52) **U.S. Cl.** ..... **D6/500**

(58) **Field of Classification Search** ..... D6/334-336,  
D6/356, 364, 365, 366, 367, 379, 380, 500-502;  
297/411.2, 411.28, 452.21, 452.26, 452.29,  
297/452.32, 452.35, 452.48

See application file for complete search history.

(56) **References Cited**

**U.S. PATENT DOCUMENTS**

D328,395 S *	8/1992	Neuser	.....	D6/366
D491,394 S *	6/2004	Lee	.....	D6/500
D607,672 S *	1/2010	Kubryk	.....	D6/500

\* cited by examiner

*Primary Examiner*—Mimosa De

(74) *Attorney, Agent, or Firm*—Audrey A. Millemann;  
Weintraub Genshlea Chederal

(57) **CLAIM**

The ornamental design for a task chair, as shown and described.

**DESCRIPTION**

FIG. 1 is a perspective view of a task chair, looking toward the right front corner, showing my new design;

FIG. 2 is a front view thereof;

FIG. 3 is a back view thereof;

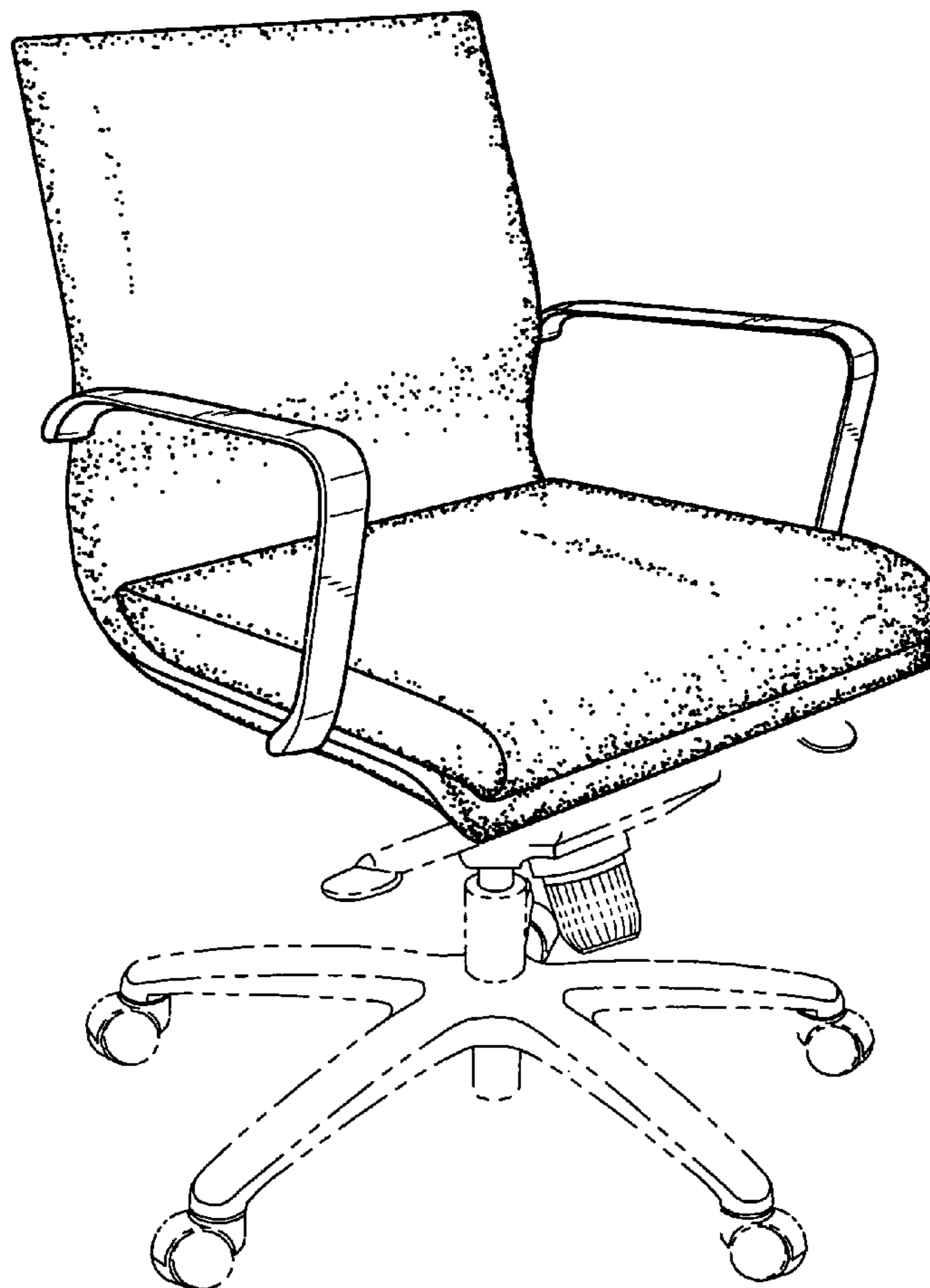
FIG. 4 is a right side view thereof;

FIG. 5 is a top view thereof; and,

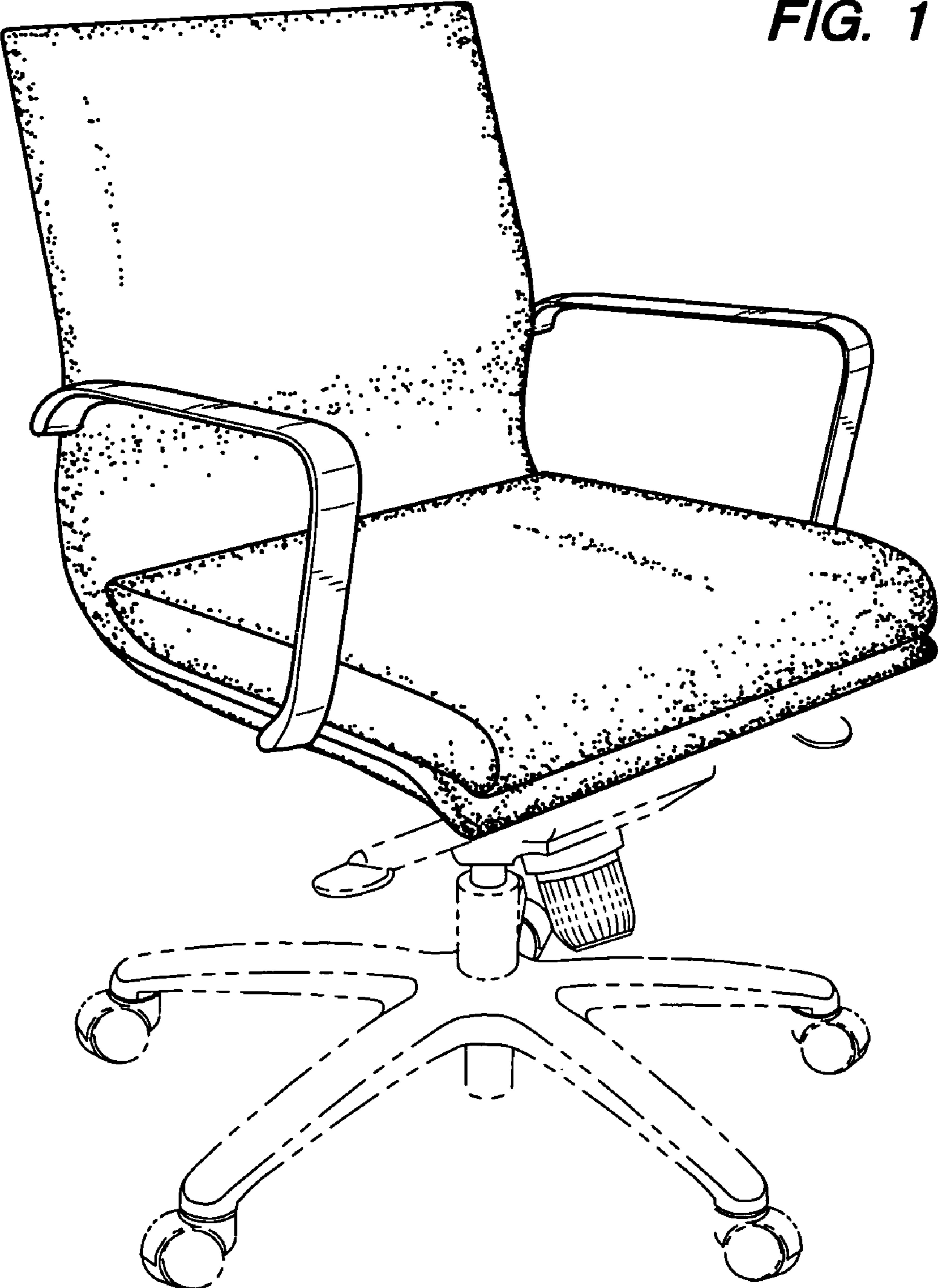
FIG. 6 is a bottom view thereof.

The broken lines shown in the drawing are for illustrative purposes only and form no part of the claimed design.

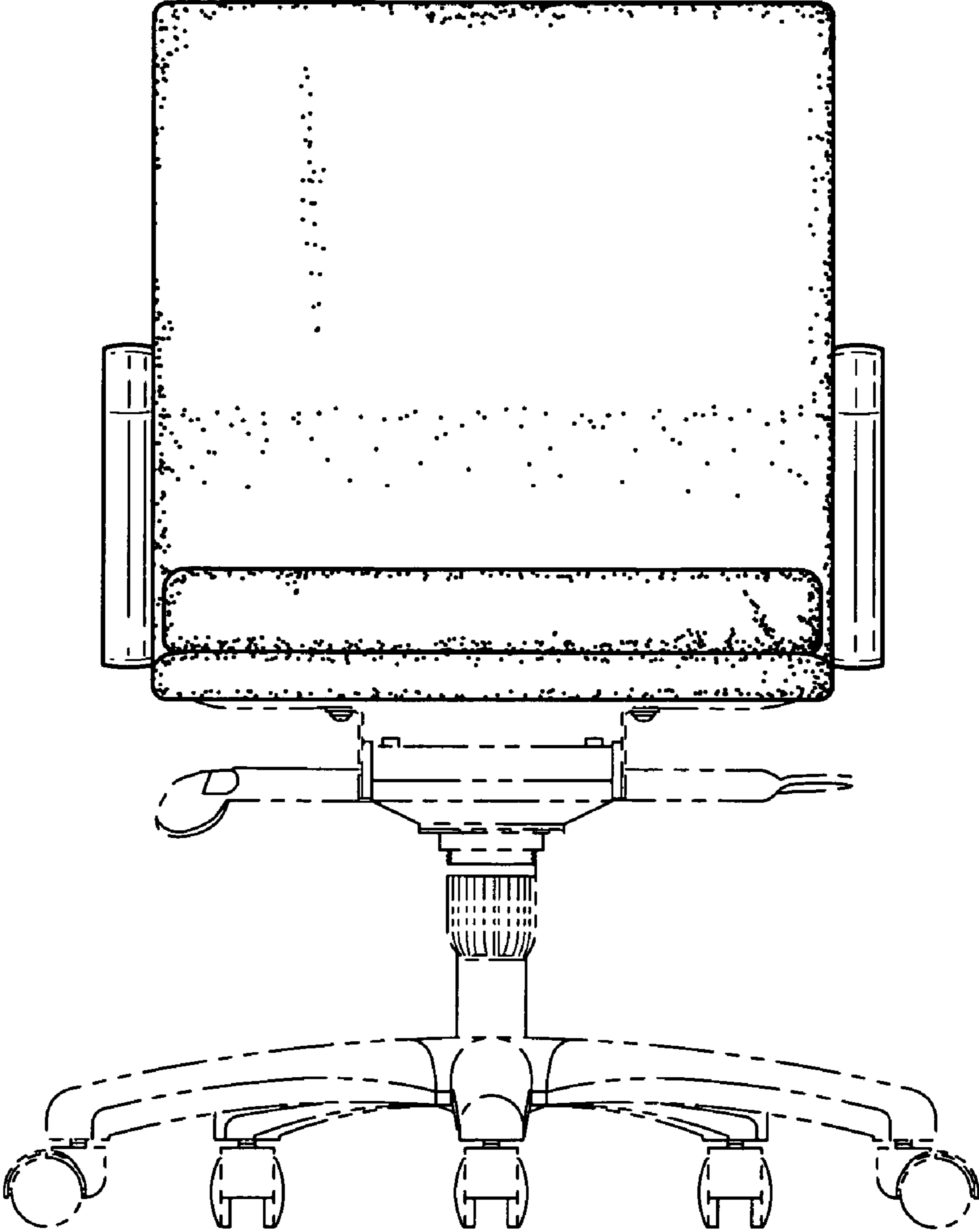
**1 Claim, 5 Drawing Sheets**



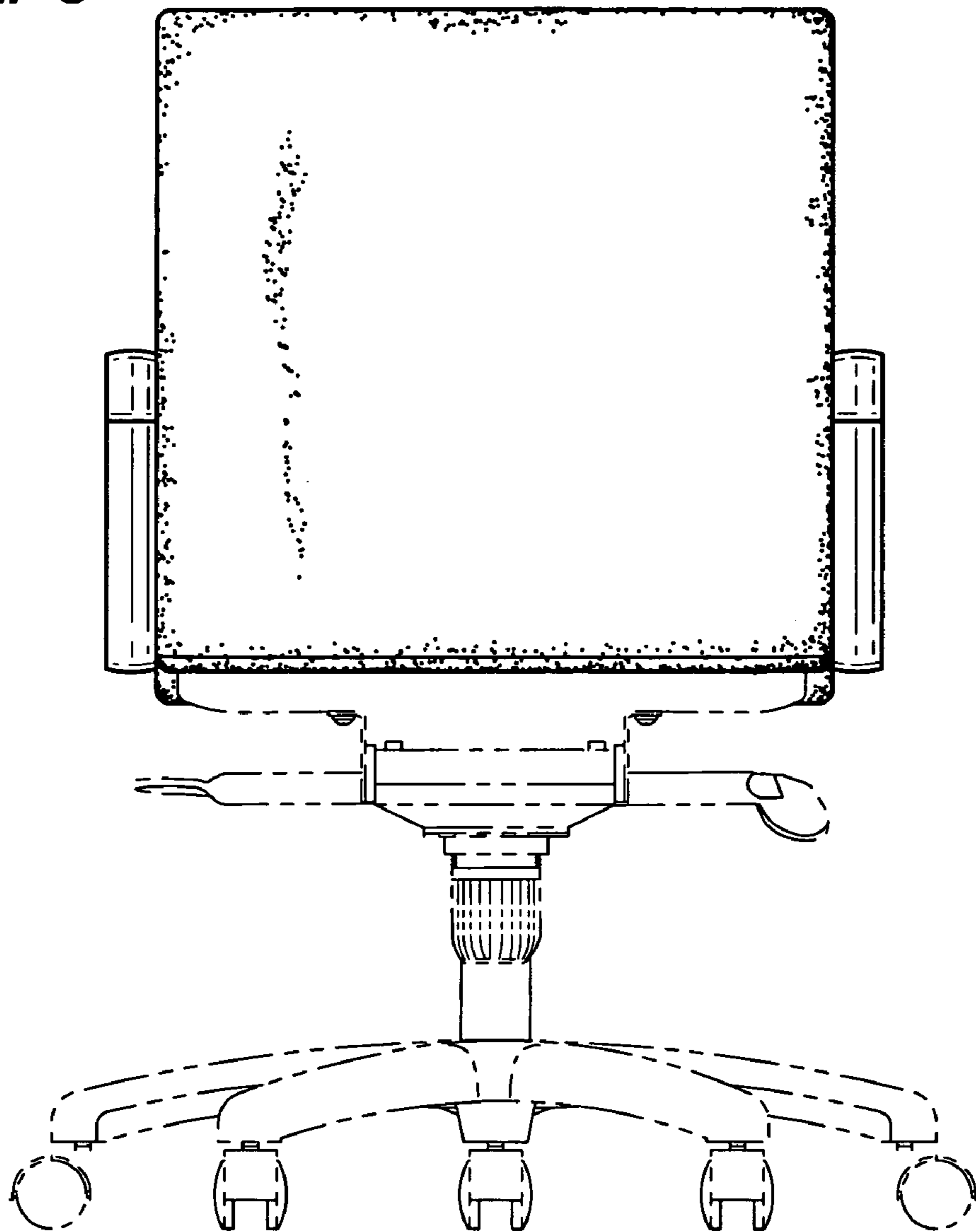
**FIG. 1**



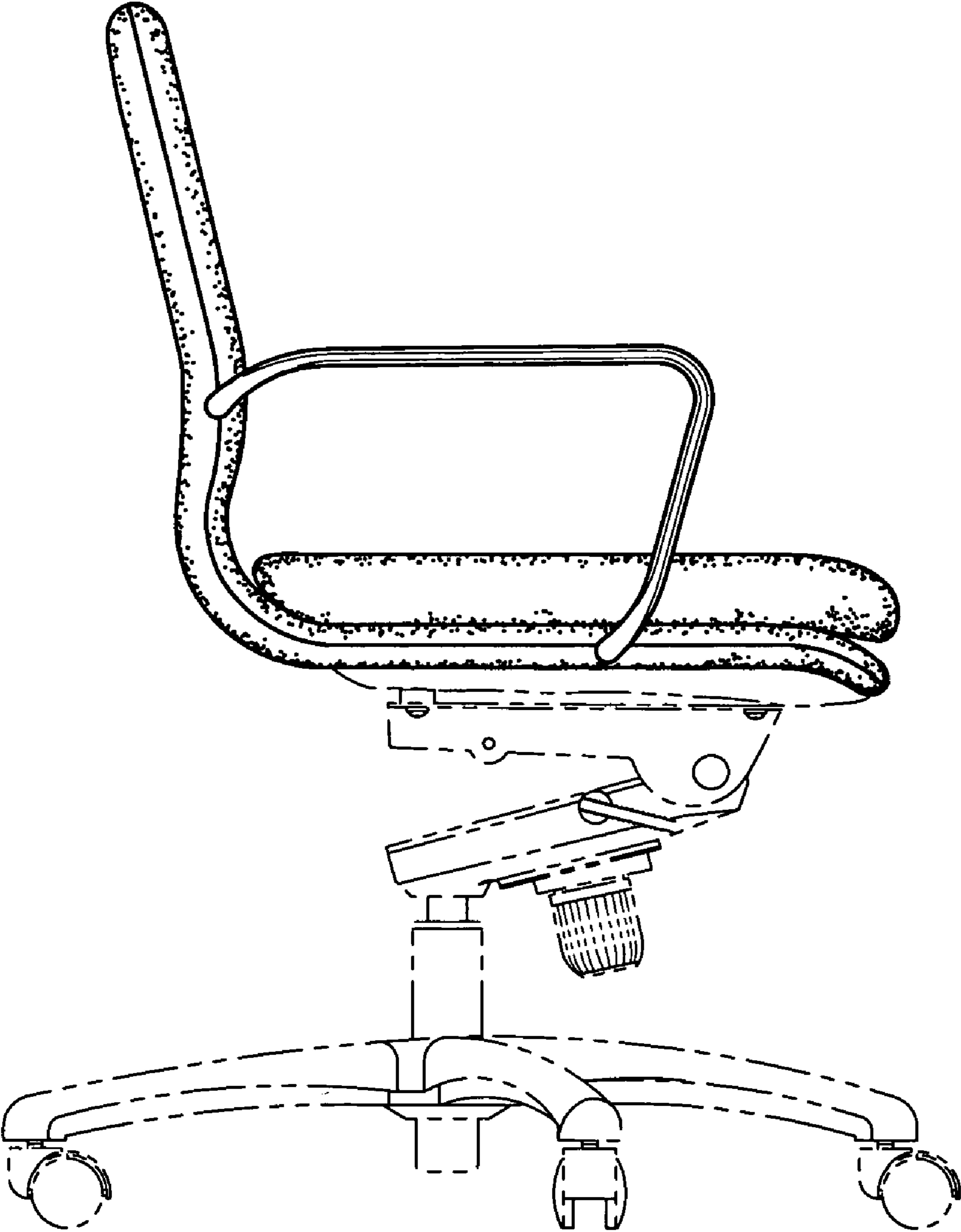
**FIG. 2**

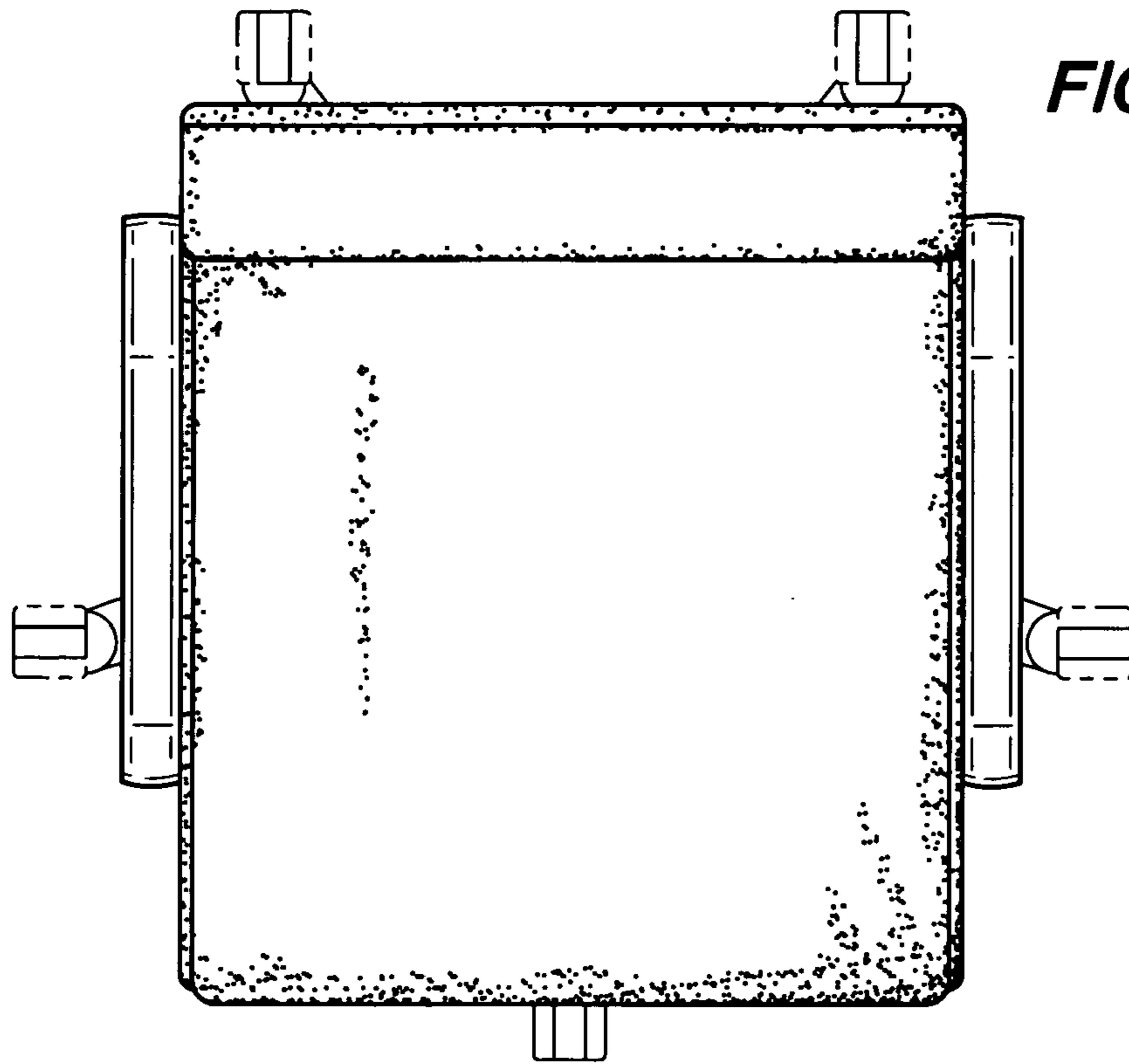


**FIG. 3**

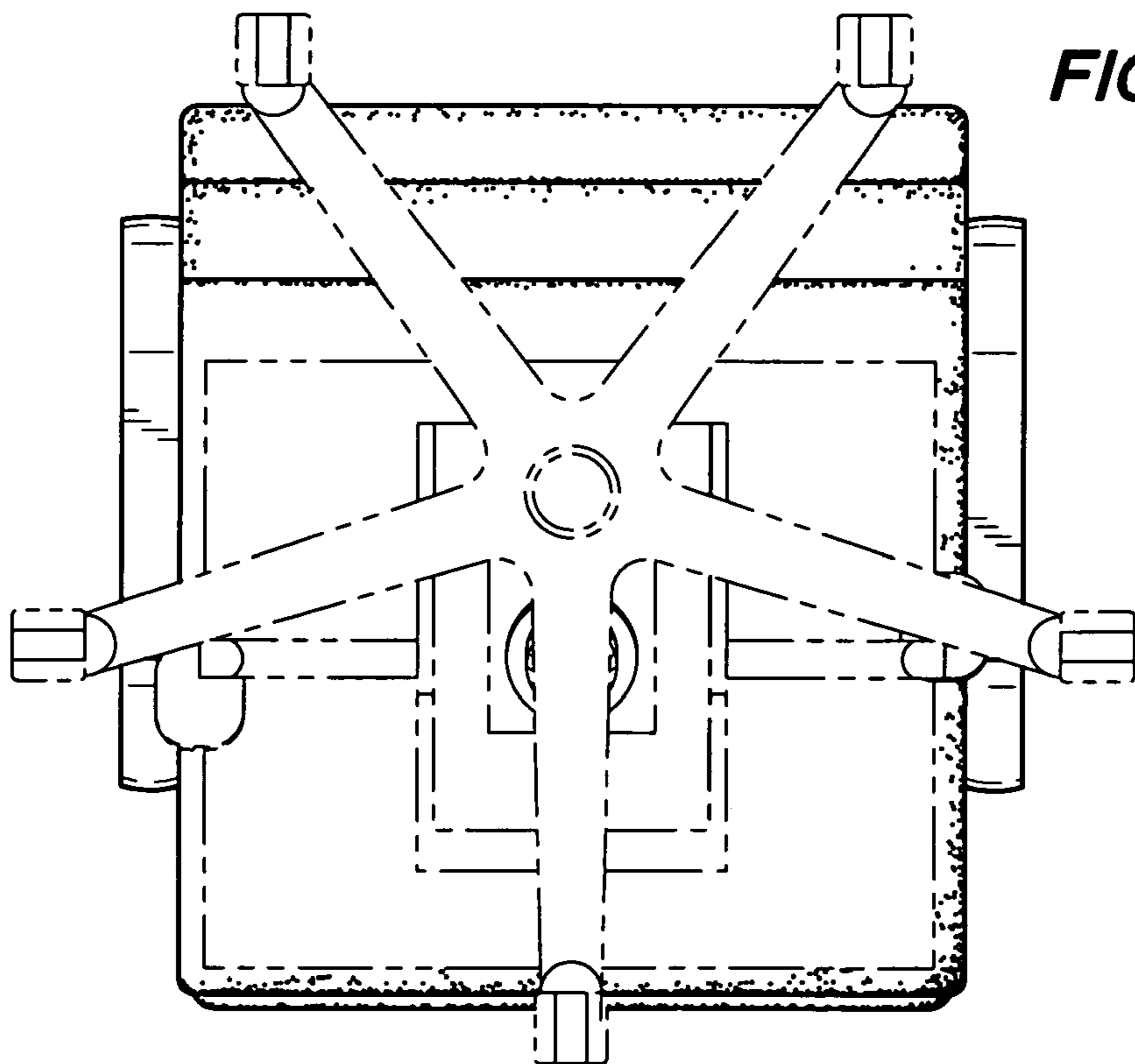


**FIG. 4**





**FIG. 5**



**FIG. 6**