



US00D623446S

(12) **United States Design Patent**
Calco

(10) **Patent No.:** **US D623,446 S**

(45) **Date of Patent:** **** Sep. 14, 2010**

(54) **MULTIMEDIA STAND**

(75) Inventor: **Wayne Calco**, Laguna Hills, CA (US)

(73) Assignee: **Atlantic Representations, Inc.**, Santa Fe Springs, CA (US)

(**) Term: **14 Years**

(21) Appl. No.: **29/361,151**

(22) Filed: **May 6, 2010**

(51) **LOC (9) Cl.** **06-04**

(52) **U.S. Cl.** **D6/499**

(58) **Field of Classification Search** D6/480–495,
D6/429, 496–499; 248/188.8, 217.1; 108/150,
108/153.1, 156, 161, 65–66, 127
See application file for complete search history.

(56) **References Cited**

U.S. PATENT DOCUMENTS

2,940,599	A *	6/1960	Gentner	211/41.1
4,098,009	A *	7/1978	Flynn	434/88
4,880,121	A *	11/1989	D’Elia	209/702
D330,131	S *	10/1992	Dennis et al.	D6/462
D443,399	S *	6/2001	Henry	D34/17
D485,708	S *	1/2004	Robertson	D6/474
D514,354	S *	2/2006	Nix et al.	D6/462
D532,215	S *	11/2006	Calabria et al.	D6/462
D537,655	S *	3/2007	Hessell	D6/468

D575,554	S *	8/2008	Calabria et al.	D6/462
D580,193	S *	11/2008	Sparkowski	D6/463
D608,111	S *	1/2010	Rubin	D6/462
D613,963	S *	4/2010	Eckenswiller	D6/449

* cited by examiner

Primary Examiner—Elizabeth A Albert

Assistant Examiner—Kelley A Donnelly

(74) *Attorney, Agent, or Firm*—Cislo & Thomas, LLP

(57) **CLAIM**

The ornamental design for a multimedia stand, as shown and described.

DESCRIPTION

FIG. 1 is a perspective view of my multimedia stand;

FIG. 2 is a front view thereof;

FIG. 3 is rear view thereof;

FIG. 4 is a side view thereof;

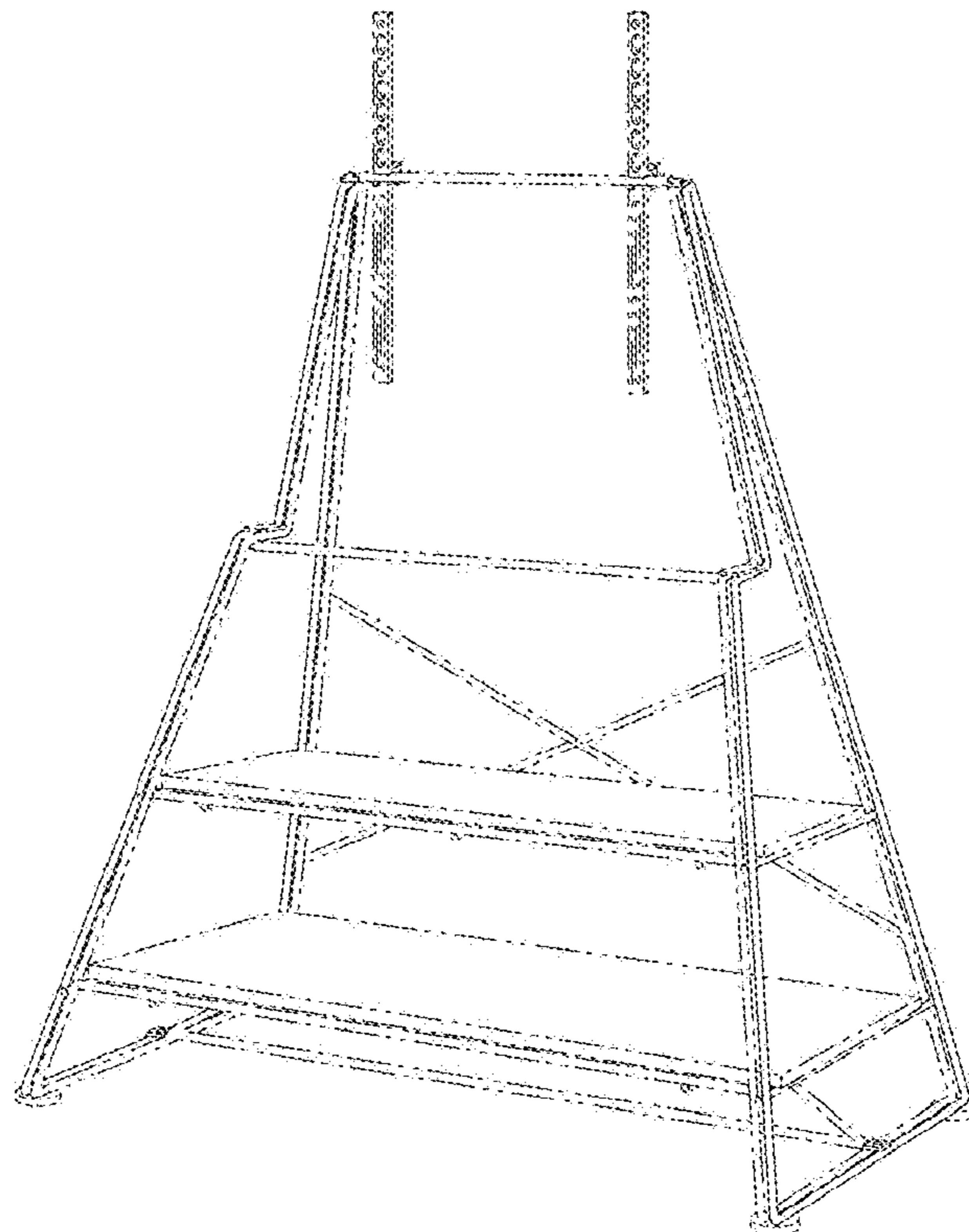
FIG. 5 is another side view thereof;

FIG. 6 is a top view thereof; and,

FIG. 7 is a bottom view thereof.

The broken line portions of the disclosure are included for the purpose of illustrating environment and form no part of the claimed design.

1 Claim, 5 Drawing Sheets



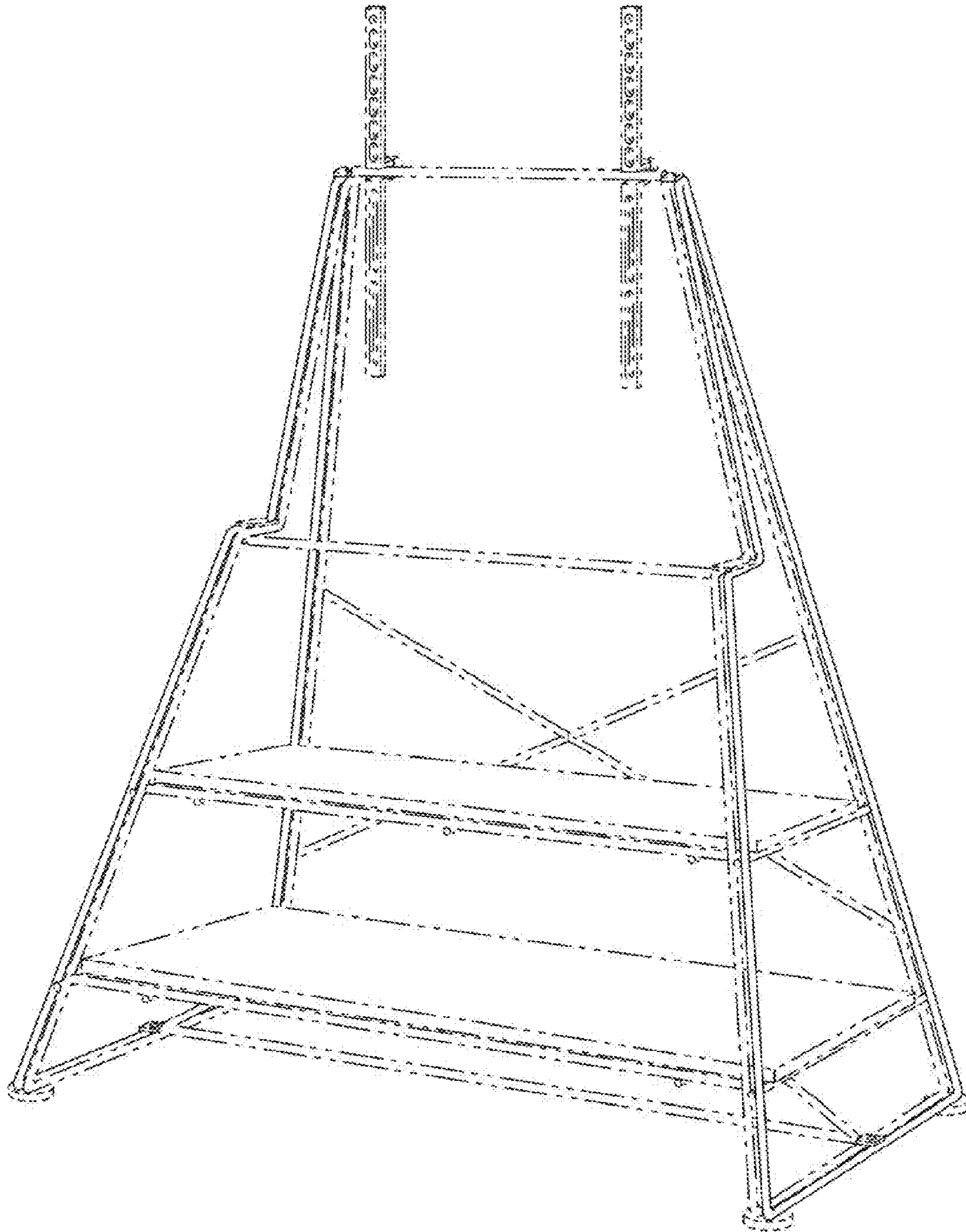


Fig. 1

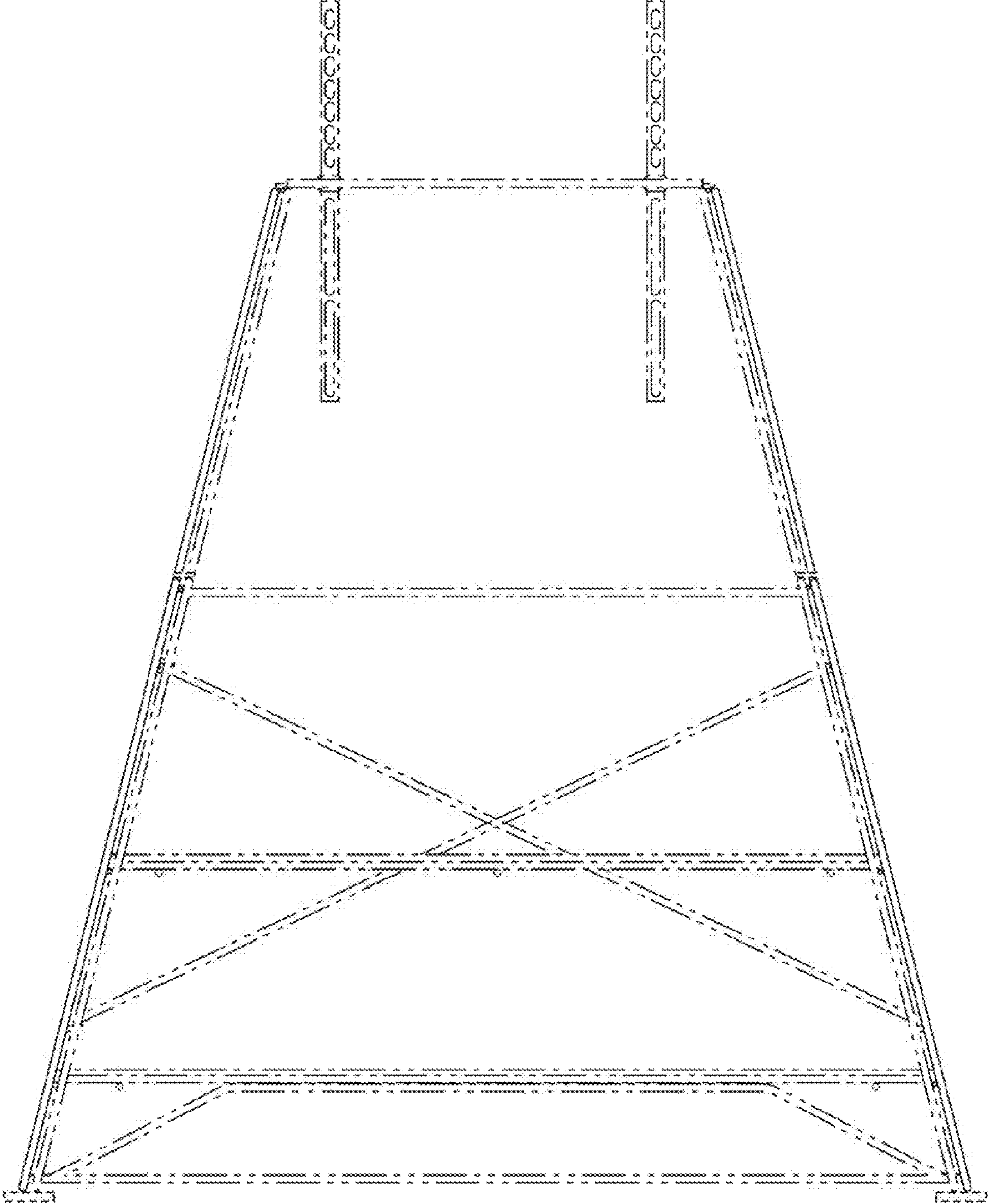


Fig. 2

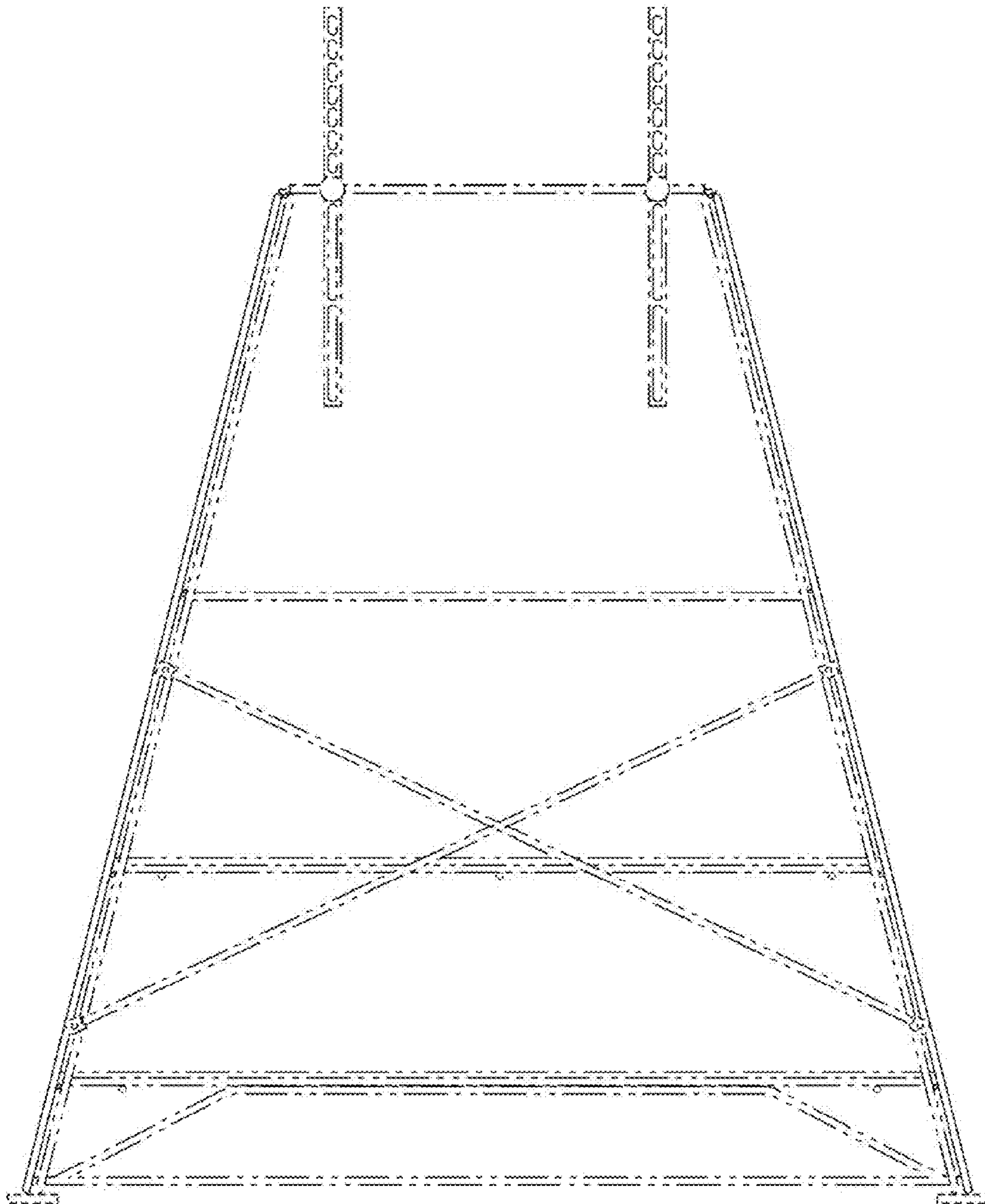


Fig. 3

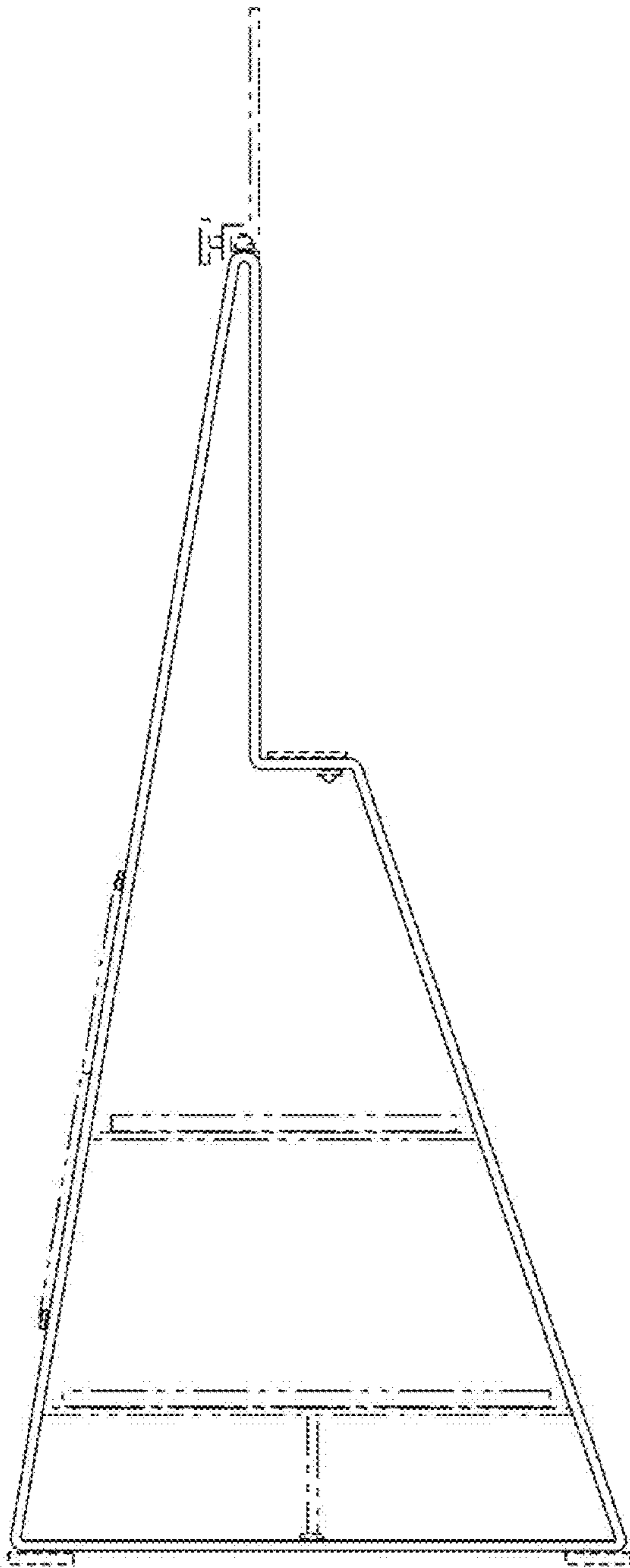


Fig. 4

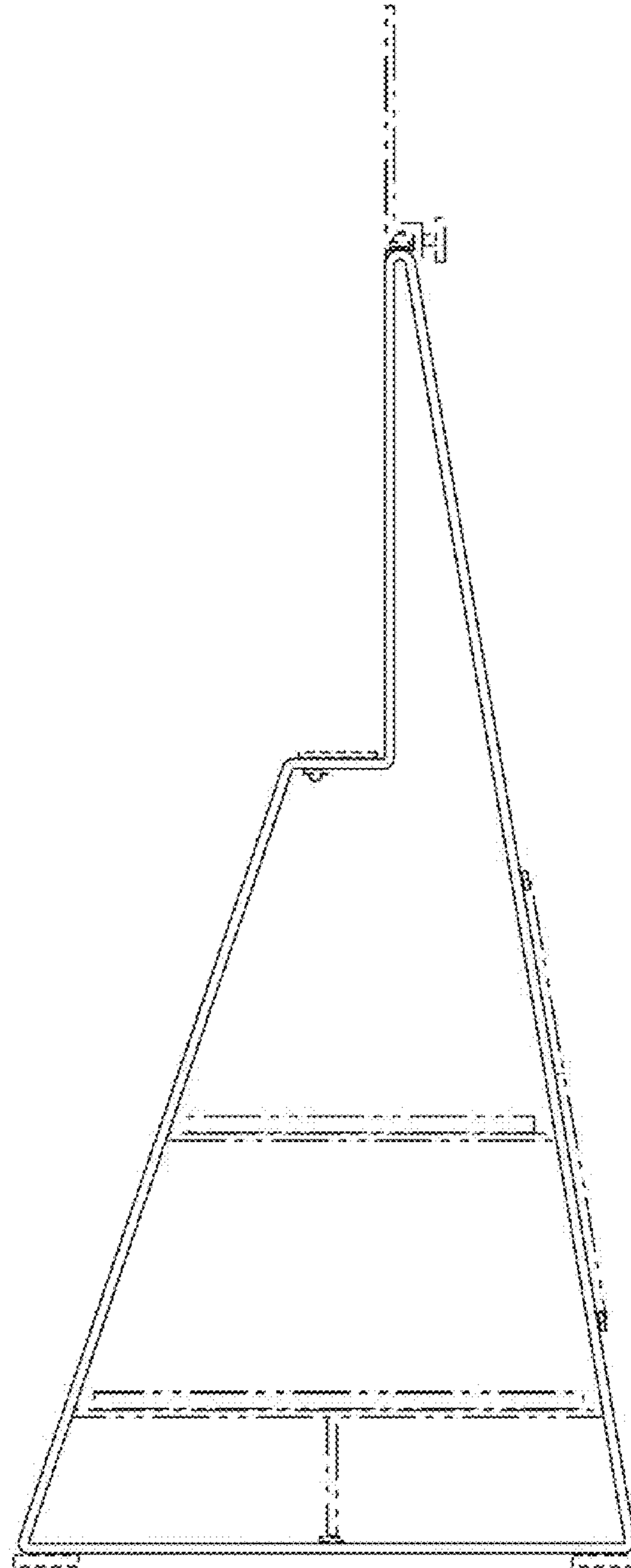


Fig. 5

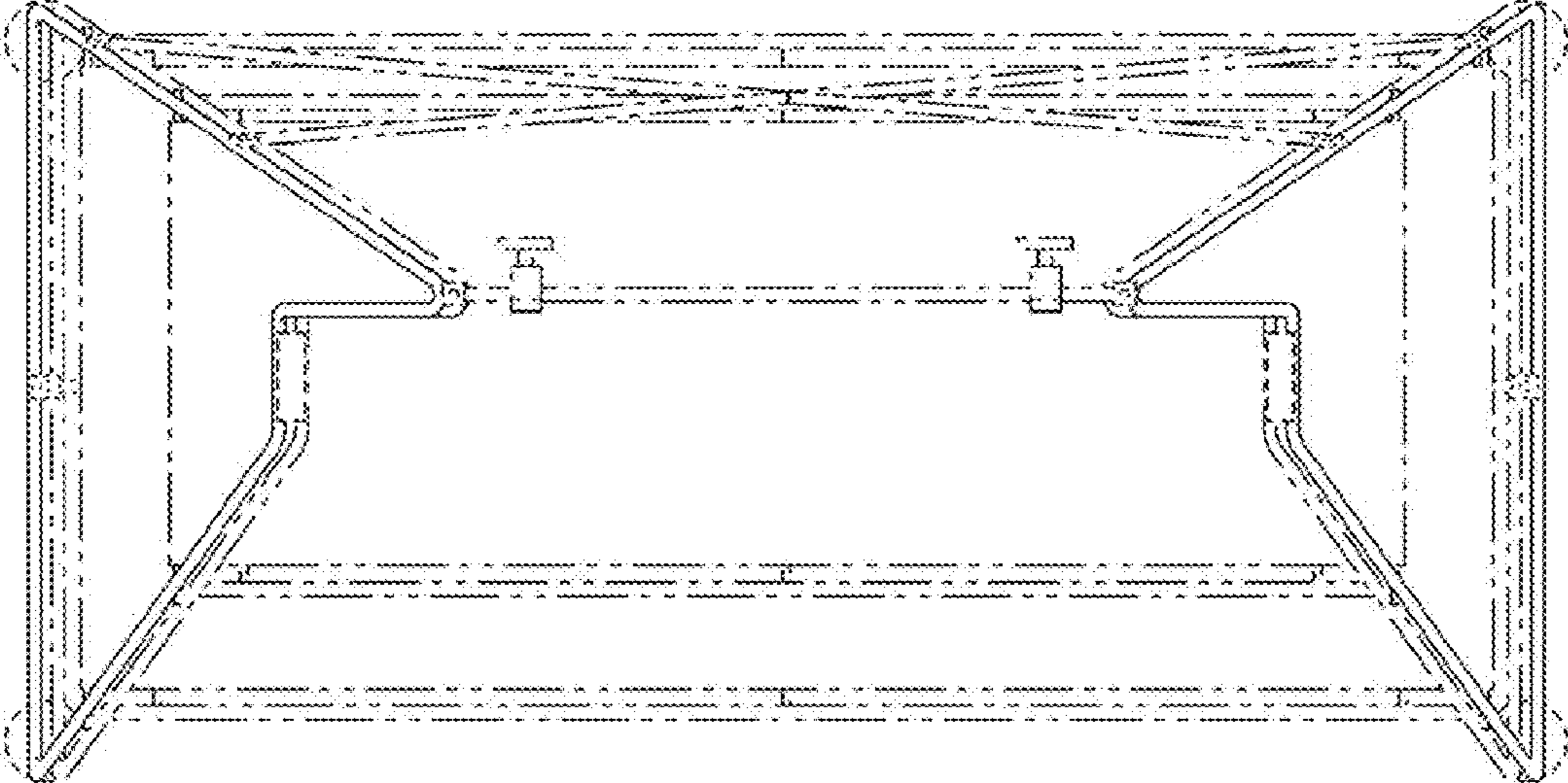


Fig. 6

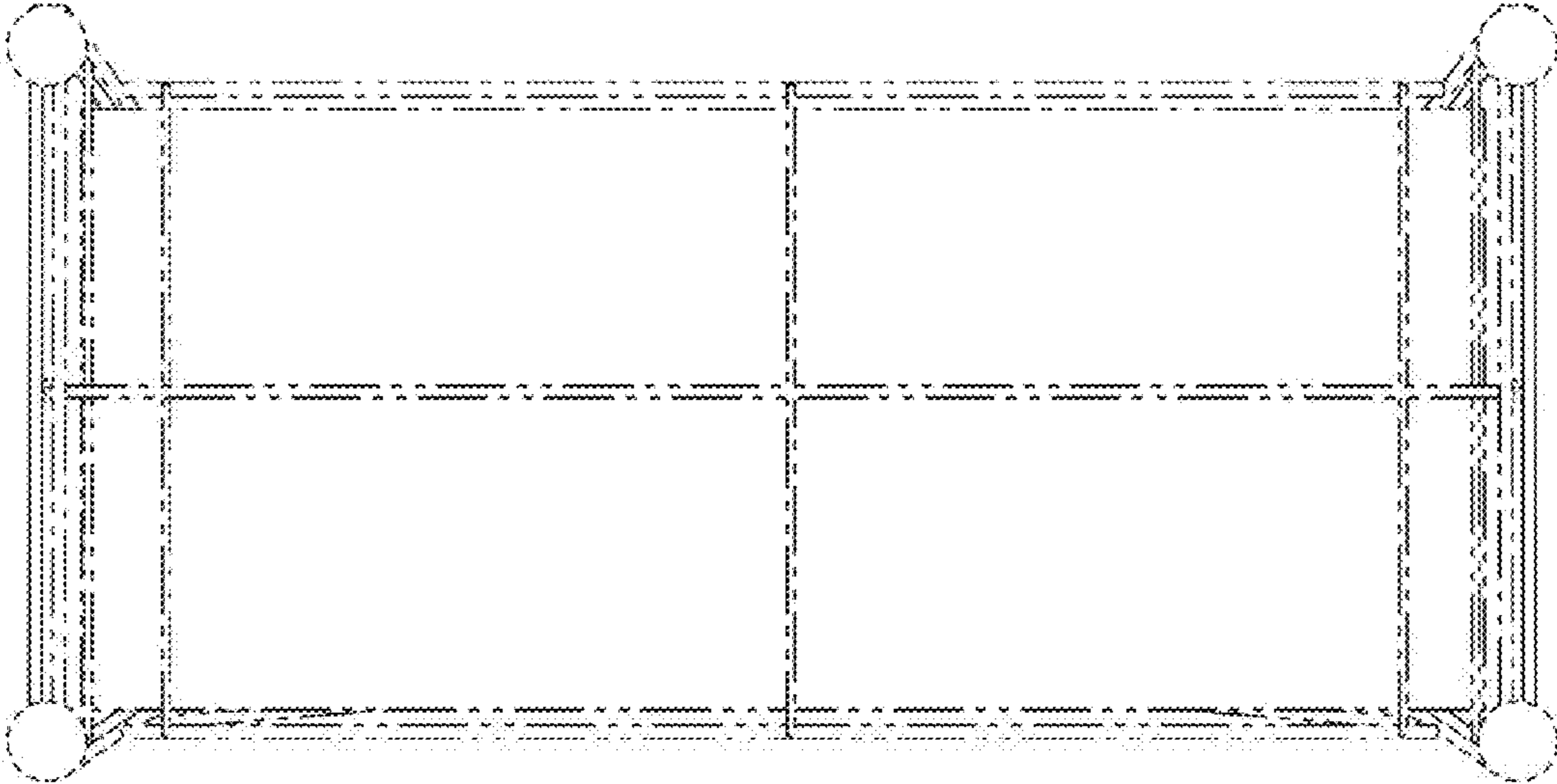


Fig. 7