



US00D623445S

(12) **United States Design Patent**
Pai et al.

(10) **Patent No.:** **US D623,445 S**

(45) **Date of Patent:** **** Sep. 14, 2010**

(54) **LEG FOR WORKSTATION**

D591,091 S * 4/2009 Daino et al. D6/495
D596,426 S * 7/2009 Pai et al. D6/495

(75) Inventors: **Jillian Pai**, Chicago, IL (US); **Sean Scott**, Chicago, IL (US); **Dawn M. Boileau**, Liberty, MO (US)

* cited by examiner

Primary Examiner—Janice E Seeger

(74) *Attorney, Agent, or Firm*—Hovey Williams LLP

(73) Assignee: **Surface Technologies, Inc.**, Kansas City, MO (US)

(57) **CLAIM**

(**) Term: **14 Years**

The ornamental design for a leg for a workstation, as shown and described.

(21) Appl. No.: **29/340,080**

(22) Filed: **Jul. 13, 2009**

Related U.S. Application Data

(63) Continuation of application No. 29/319,592, filed on Jun. 11, 2008, now Pat. No. Des. 596,426.

(51) **LOC (9) Cl.** **06-06**

(52) **U.S. Cl.** **D6/495**

(58) **Field of Classification Search** D6/480–489, D6/495–499, 429–430, 491, 509; 108/153.1, 108/155, 156, 161, 50.01, 50.02; 248/188, 248/188.1, 188.8; D25/122

See application file for complete search history.

(56) **References Cited**

U.S. PATENT DOCUMENTS

D316,723 S * 5/1991 Ng et al. D6/426
D321,447 S * 11/1991 Newhouse D6/484
D330,302 S * 10/1992 Heidmann D6/495
D332,887 S * 2/1993 Fjello-Jensen D6/496
D352,845 S * 11/1994 Hellwig et al. D6/422
D374,563 S * 10/1996 Simon et al. D6/422
D422,812 S * 4/2000 Thompson et al. D6/495
D516,340 S * 3/2006 Chang D6/425

DESCRIPTION

FIG. 1 is a front perspective view of a table leg embodying our design and being depicted as part of a workstation for environmental purposes, with a second identical table leg, the desktop and modesty panel of the workstation, the pedestal at the bottom of each table leg, the grooves extending longitudinally along each leg, and the generally trapezoidal shaped recesses at opposite ends of the table legs being shown in broken lines for illustrative purposes only and forming no part of the claimed design;

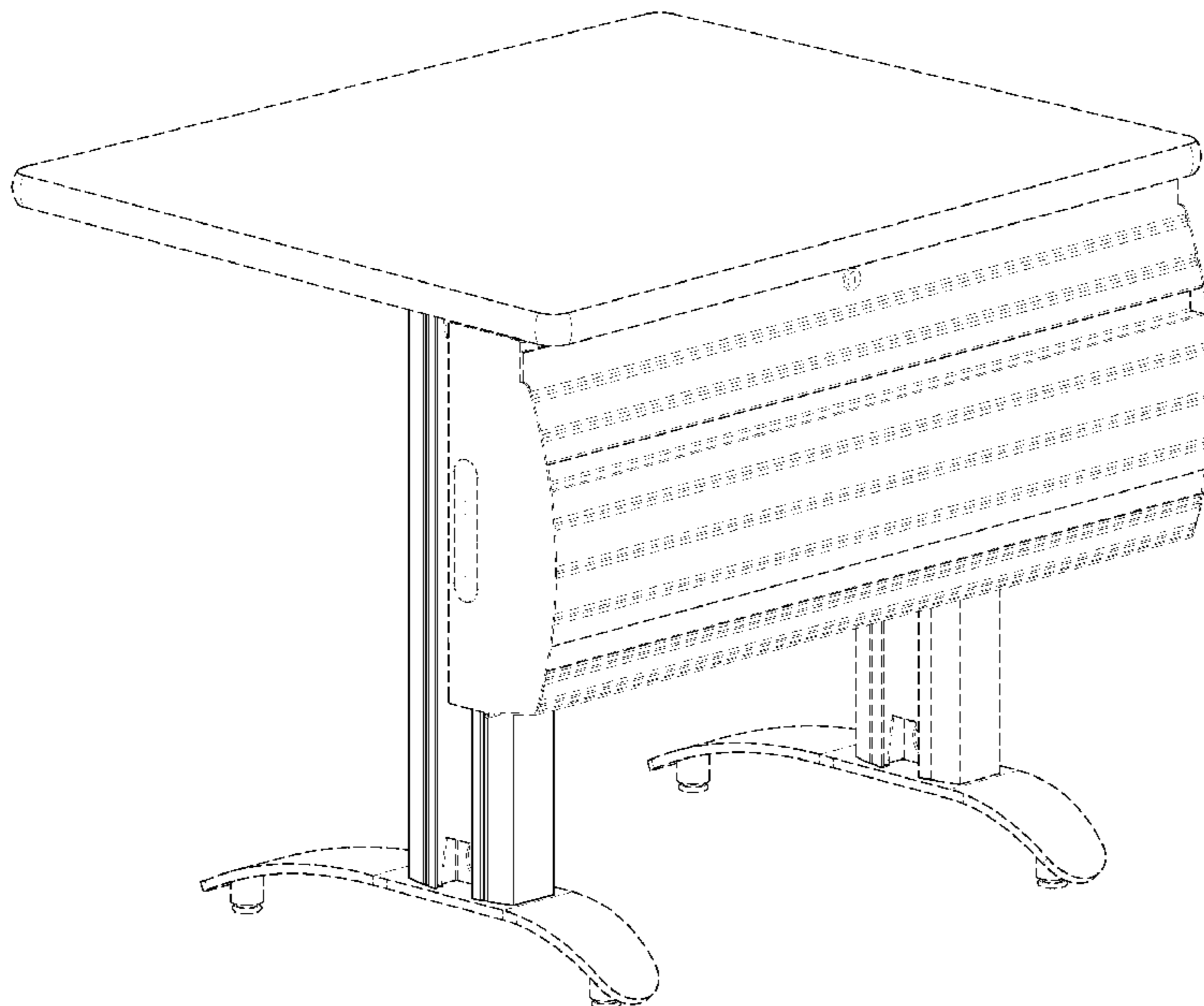
FIG. 2 is a rear perspective view of the table leg shown in FIG. 1, with the connection plate at the top the leg and the fasteners interconnecting the pedestal and post of the leg being shown in broken lines for illustrative purposes only and forming no part of the claimed design;

FIG. 3 is a front elevational view of the table leg shown in FIGS. 1 and 2;

FIG. 4 is a side elevational view of the table leg shown in FIGS. 1-3, with the opposite side elevational view being a mirror image thereof; and,

FIG. 5 is a rear elevational view of the table leg shown in FIGS. 1-4.

1 Claim, 3 Drawing Sheets



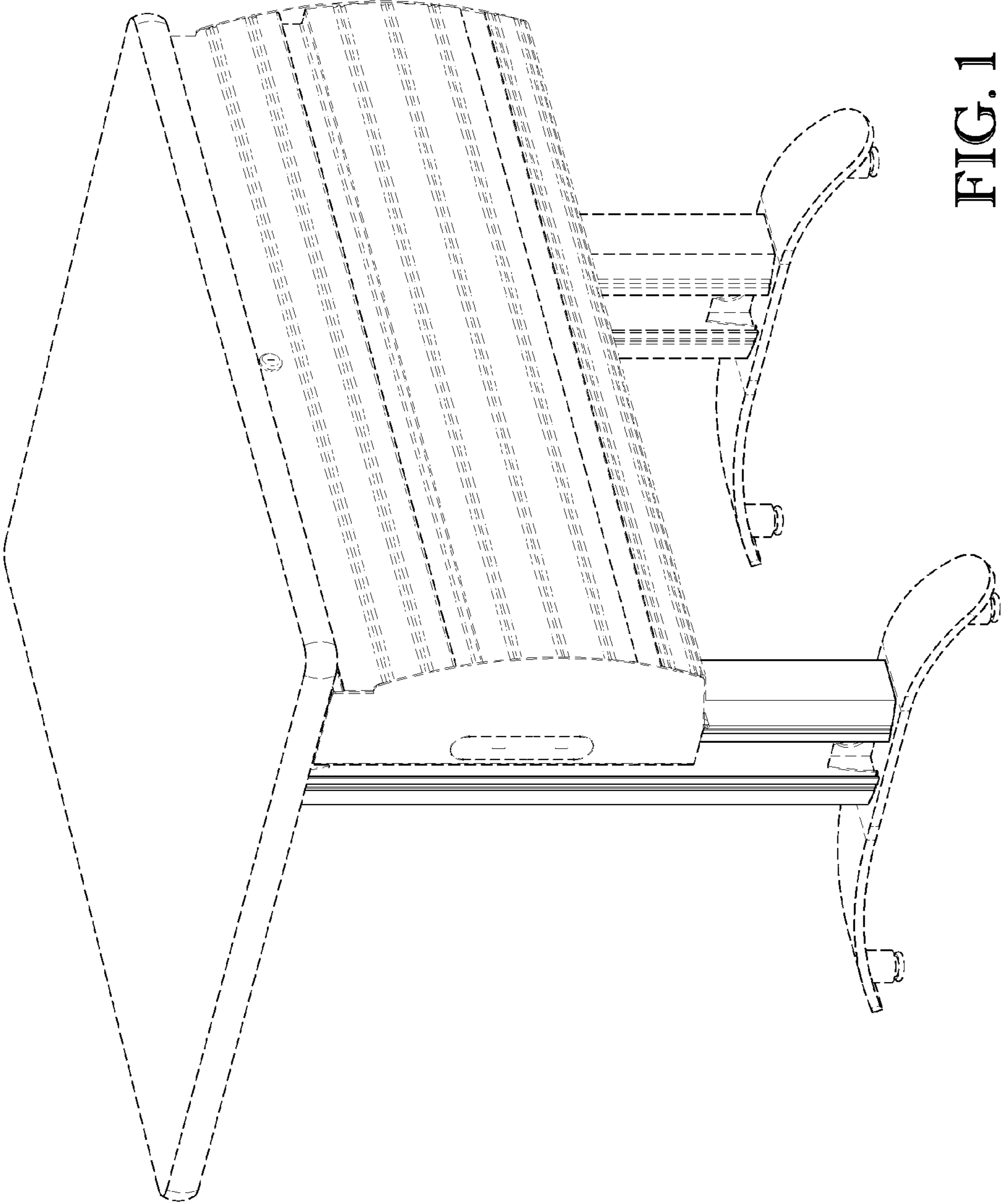


FIG. 1

FIG. 3

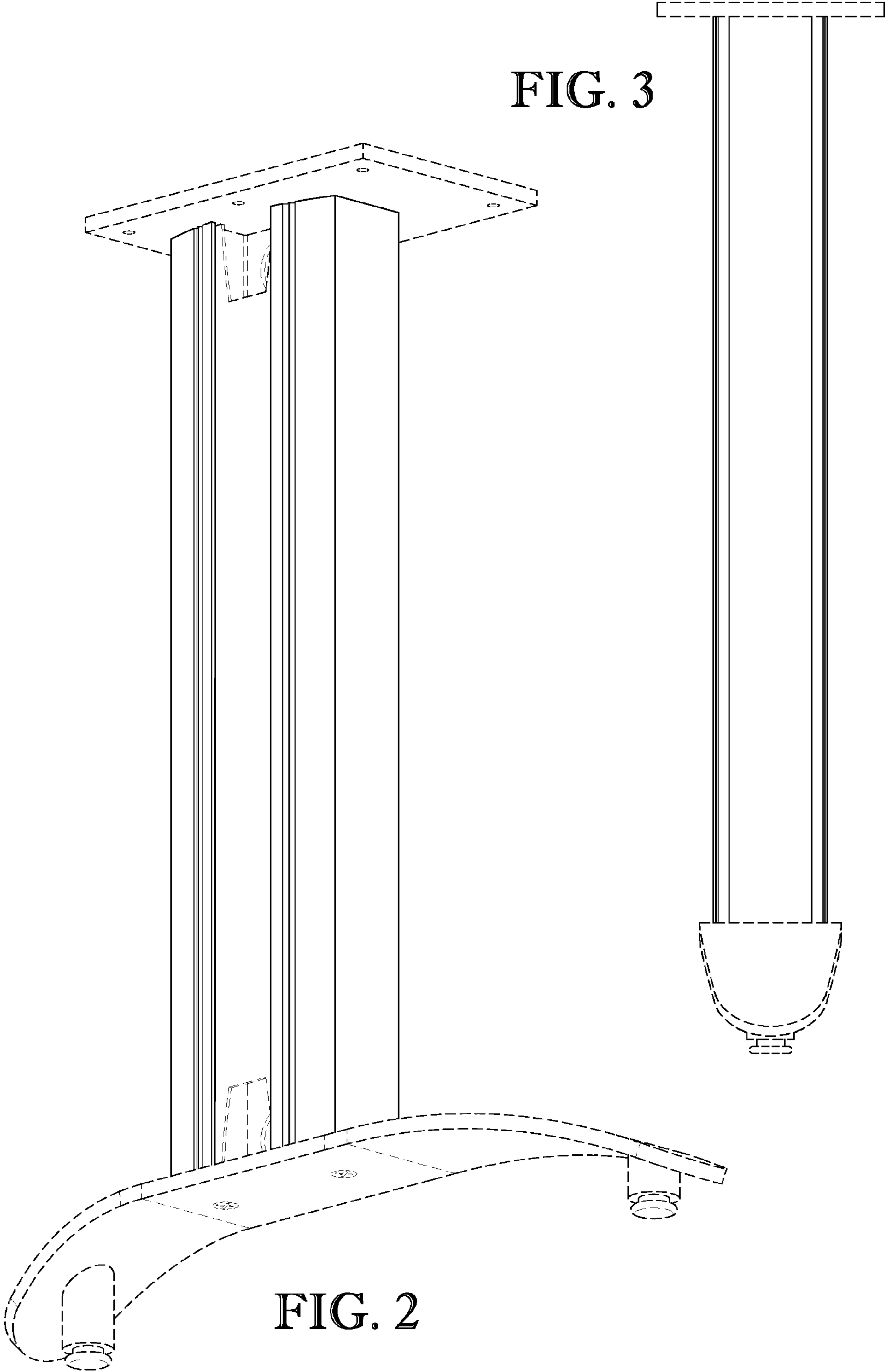


FIG. 2

FIG. 5

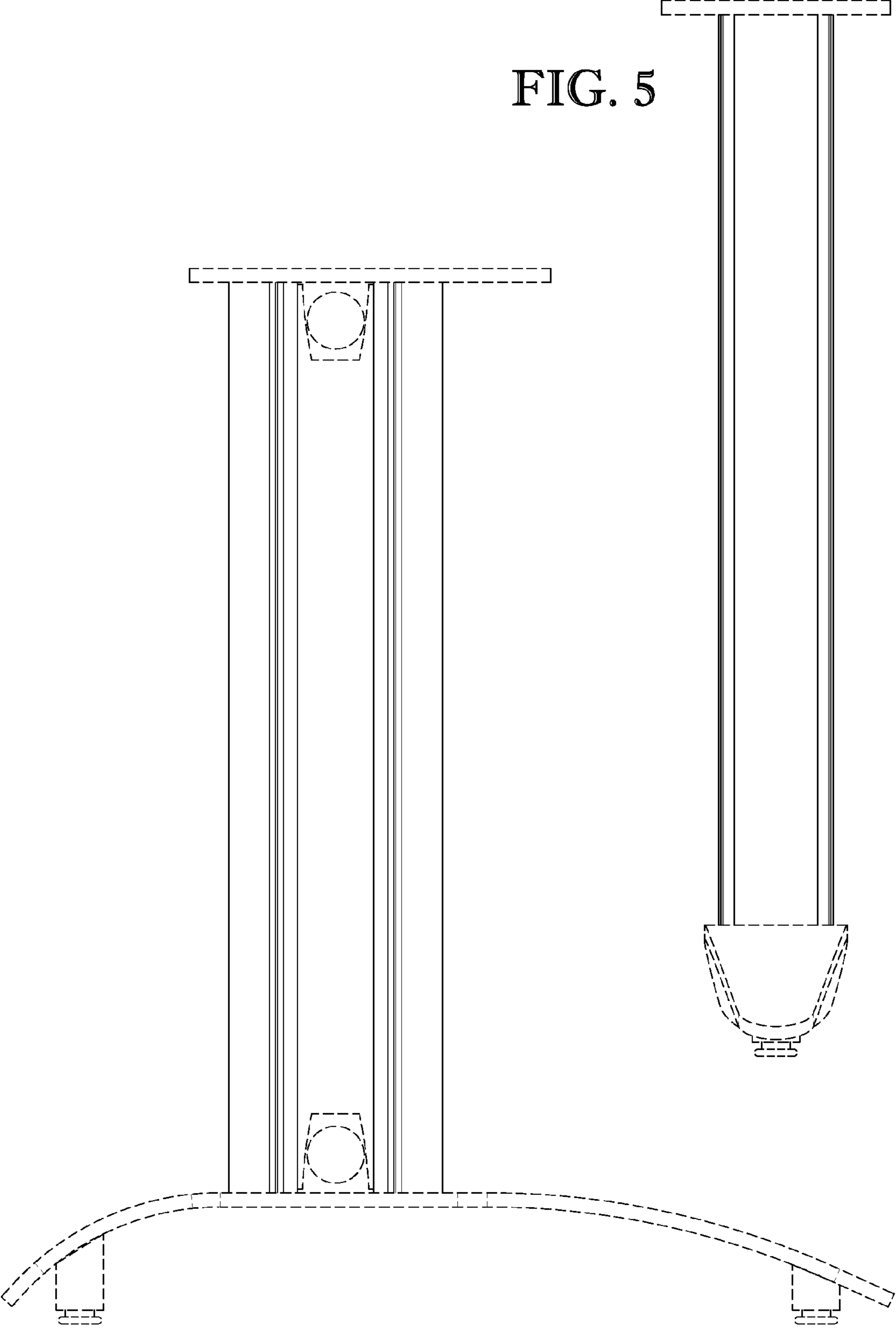


FIG. 4