



US00D623443S

(12) **United States Design Patent**  
**Zambelli**

(10) **Patent No.:** **US D623,443 S**  
(45) **Date of Patent:** **\*\* Sep. 14, 2010**

- (54) **AUDIO VIDEO SHELVING UNIT**
- (75) Inventor: **Michael P. Zambelli**, Basking Ridge, NJ (US)
- (73) Assignee: **Bell'O International Corp.**, Morganville, NJ (US)
- (\*\*) Term: **14 Years**
- (21) Appl. No.: **29/353,355**
- (22) Filed: **Jan. 7, 2010**

- D507,433 S 7/2005 Portnoy
- D507,900 S 8/2005 Sexton
- D508,172 S 8/2005 Malizia et al.
- D515,337 S 2/2006 deCarolis
- D515,849 S 2/2006 Niu
- D516,838 S 3/2006 Portnoy
- D516,840 S 3/2006 deCarolis
- D516,847 S 3/2006 Stenhouse et al.
- D519,757 S 5/2006 Portnoy
- D524,080 S 7/2006 Stenhouse et al.
- D525,052 S 7/2006 Malizia et al.
- D525,054 S 7/2006 Stenhouse et al.
- D527,208 S 8/2006 Malizia et al.
- D528,827 S \* 9/2006 Becker ..... D6/470

- (51) **LOC (9) Cl.** ..... **06-04**
- (52) **U.S. Cl.** ..... **D6/470; D6/446**
- (58) **Field of Classification Search** ..... D6/432-448, D6/470, 477-479, 480; 312/7.2, 9.1, 109, 312/114, 117, 138.1, 204, 224, 237, 257.1, 312/278, 279

See application file for complete search history.

(56) **References Cited**

**U.S. PATENT DOCUMENTS**

- D364,053 S \* 11/1995 Hayashi et al. .... D6/470
- D371,017 S \* 6/1996 Walters et al. .... D6/436
- D440,431 S \* 4/2001 Alexandersson ..... D6/446
- D454,731 S 3/2002 Niitsu et al.
- D458,053 S 6/2002 Luong
- D472,073 S 3/2003 de Carolis
- D472,074 S 3/2003 de Carolis
- D472,075 S 3/2003 de Carolis
- D489,548 S 5/2004 Malizia et al.
- D491,748 S 6/2004 deCarolis
- D491,749 S 6/2004 Malizia et al.
- D491,750 S 6/2004 Bertoncini et al.
- D491,753 S 6/2004 deCarolis
- D492,860 S 7/2004 Bertoncini et al.
- D493,982 S 8/2004 deCarolis
- D496,807 S 10/2004 deCarolis
- D497,060 S 10/2004 Chang et al.
- D497,061 S 10/2004 Decarolis
- D499,582 S \* 12/2004 McDiarmid ..... D6/470
- D505,573 S 5/2005 Malizia
- D506,329 S 6/2005 Sexton

(Continued)

**OTHER PUBLICATIONS**

Bell'O 2005-2006 Product Catalog.

*Primary Examiner*—Mimosa De

(74) *Attorney, Agent, or Firm*—Lerner, David, Littenberg, Krumholz & Mentlik, LLP

(57) **CLAIM**

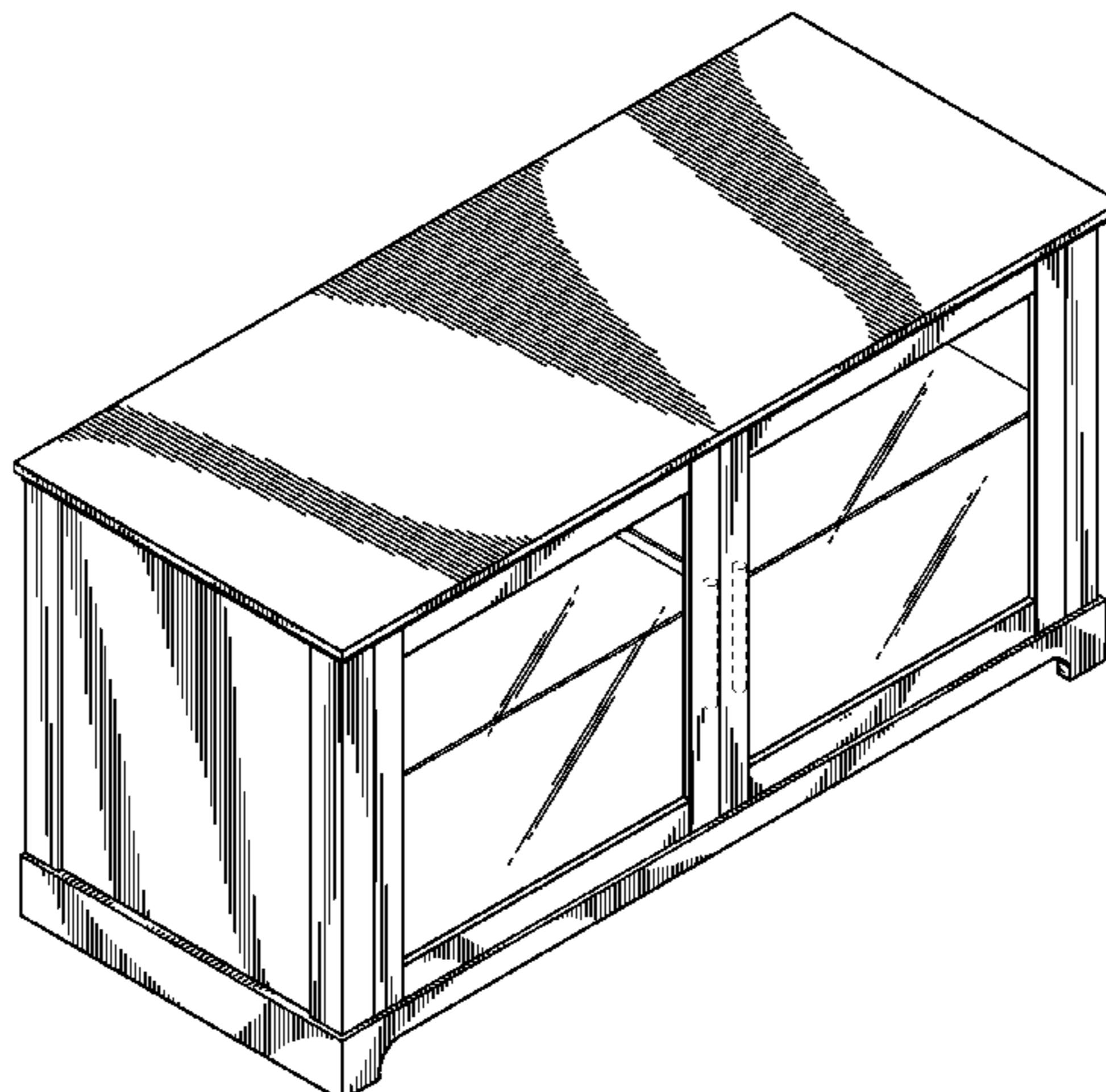
The ornamental design for audio video shelving unit, as shown and described.

**DESCRIPTION**

- FIG. 1 is a front perspective view of the audio video shelving unit;
- FIG. 2 is a front elevational view thereof;
- FIG. 3 is a rear elevational view thereof;
- FIG. 4 is a right side view thereof (the left side being a mirror image of the right side view); and,
- FIG. 5 is a top plan view thereof.

The broken lines shown on the drawings are included for the purpose of illustration and form no part of the claimed design.

**1 Claim, 5 Drawing Sheets**



# US D623,443 S

Page 2

---

## U.S. PATENT DOCUMENTS

D535,497 S	1/2007	Portnoy	D564,796 S	3/2008	Zambelli	
D537,656 S	3/2007	Stenhouse et al.	D586,585 S *	2/2009	Hynes .....	D6/470
D542,059 S	5/2007	Moyle et al.	D587,483 S	3/2009	Zambelli	
D543,729 S	6/2007	Weatherly	D587,496 S	3/2009	Weitz	
D549,991 S	9/2007	Stravitz	D587,497 S	3/2009	Zambelli	
D554,393 S	11/2007	Yalif	D589,280 S	3/2009	Zambelli	
D555,397 S	11/2007	Yalif	D590,636 S	4/2009	Ou Young et al.	
D559,583 S	1/2008	Zambelli	D590,637 S	4/2009	Portnoy	
D559,584 S	1/2008	Zambelli	D592,428 S	5/2009	Zambelli	
D560,077 S	1/2008	Zambelli	D594,248 S	6/2009	Zambelli	
D562,593 S	2/2008	Zambelli	D595,978 S	7/2009	Portnoy et al.	
D564,260 S	3/2008	deCarolis	D599,584 S	9/2009	Zambelli	
D564,261 S	3/2008	Sculler	D604,251 S	11/2009	Hwang	
D564,789 S	3/2008	deCarolis	D605,874 S	12/2009	Zambelli	

\* cited by examiner

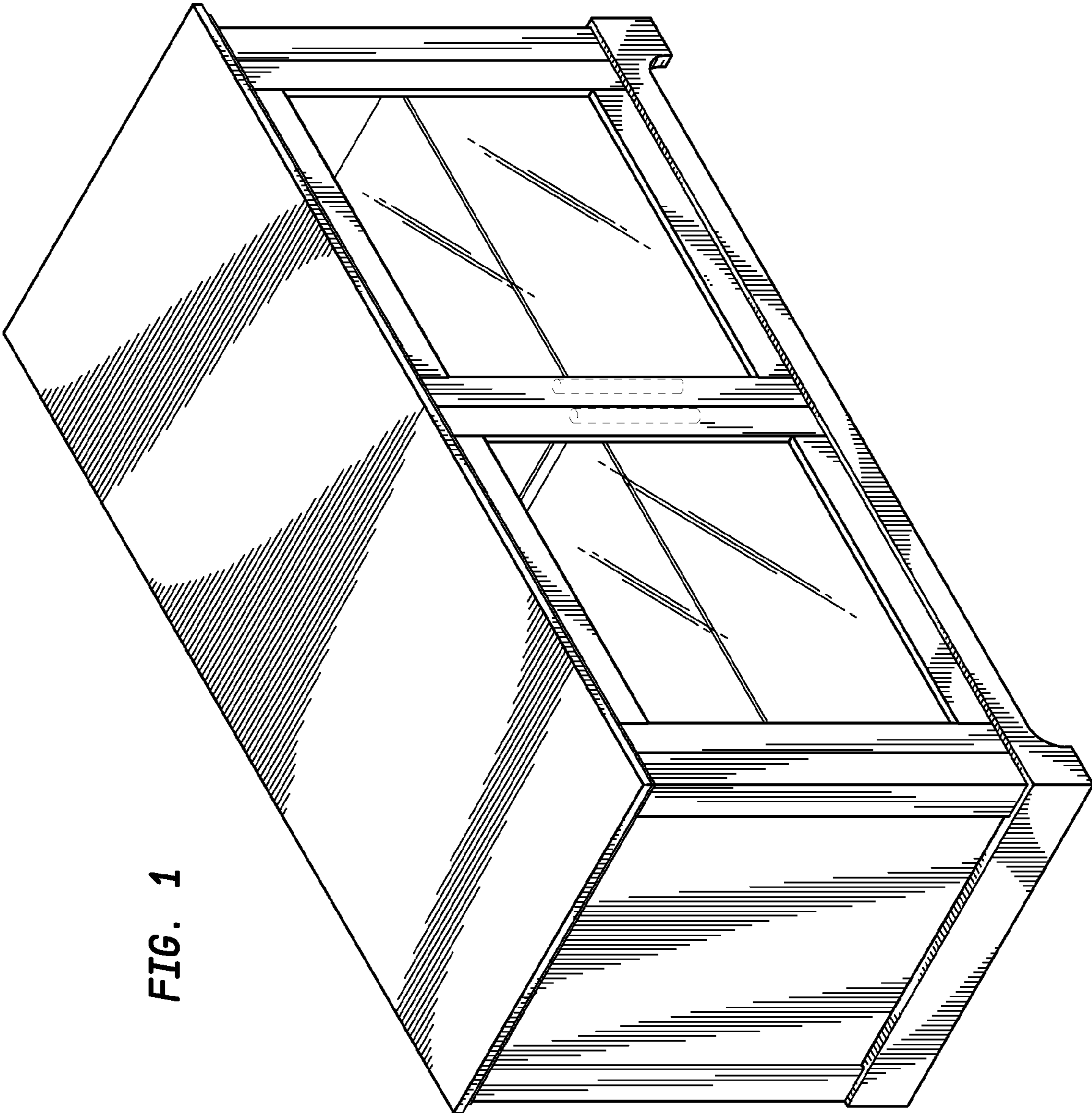
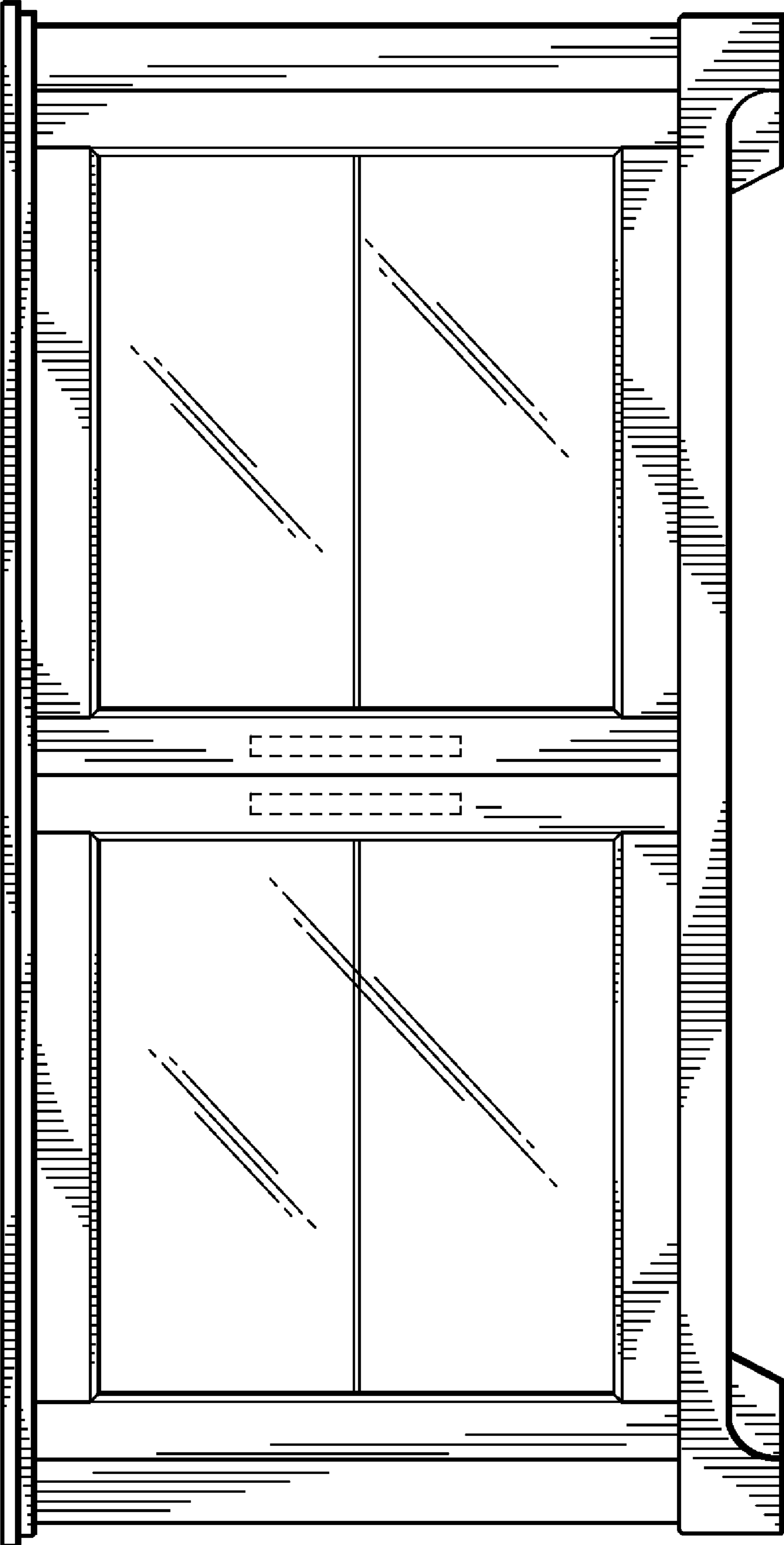
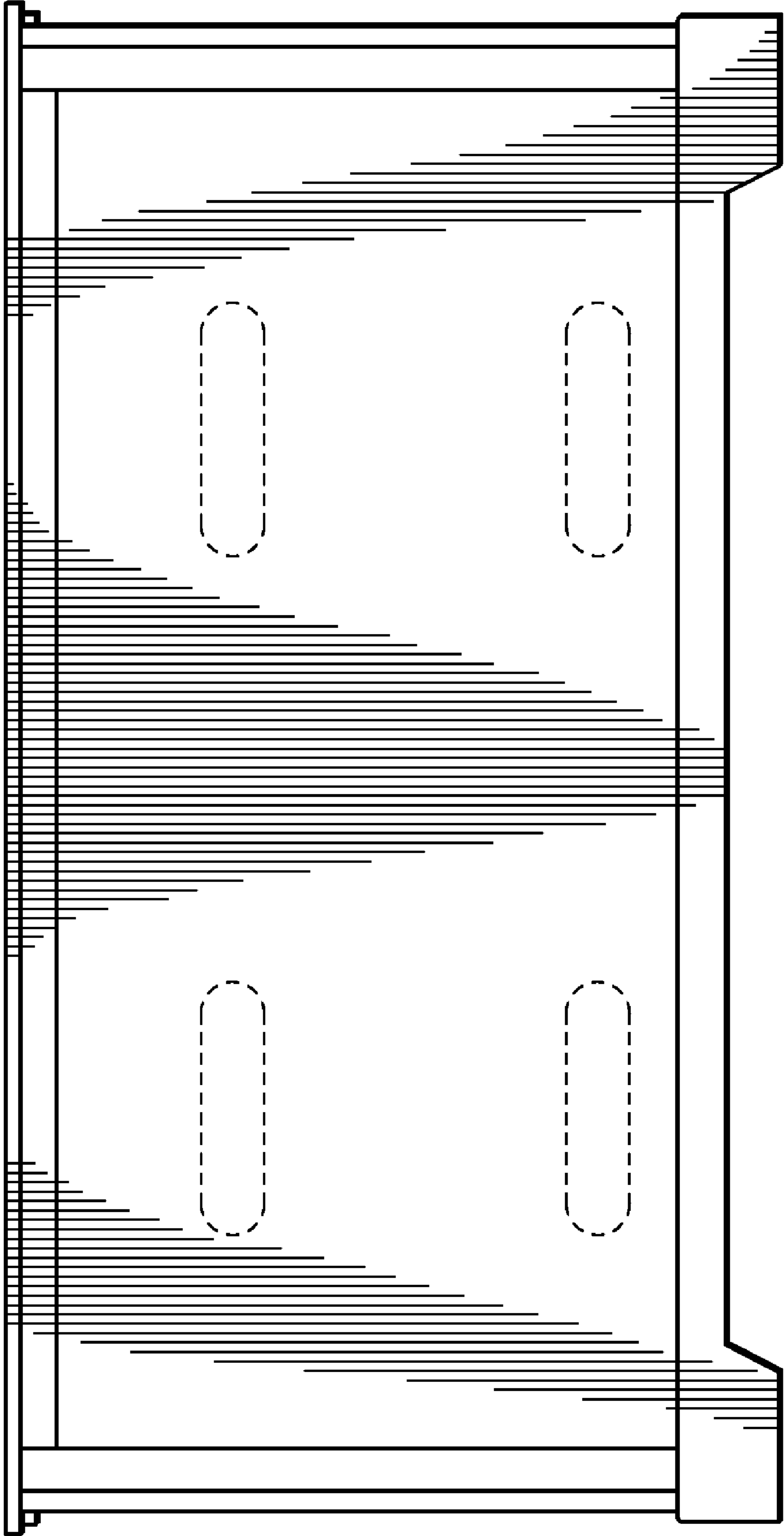


FIG. 1

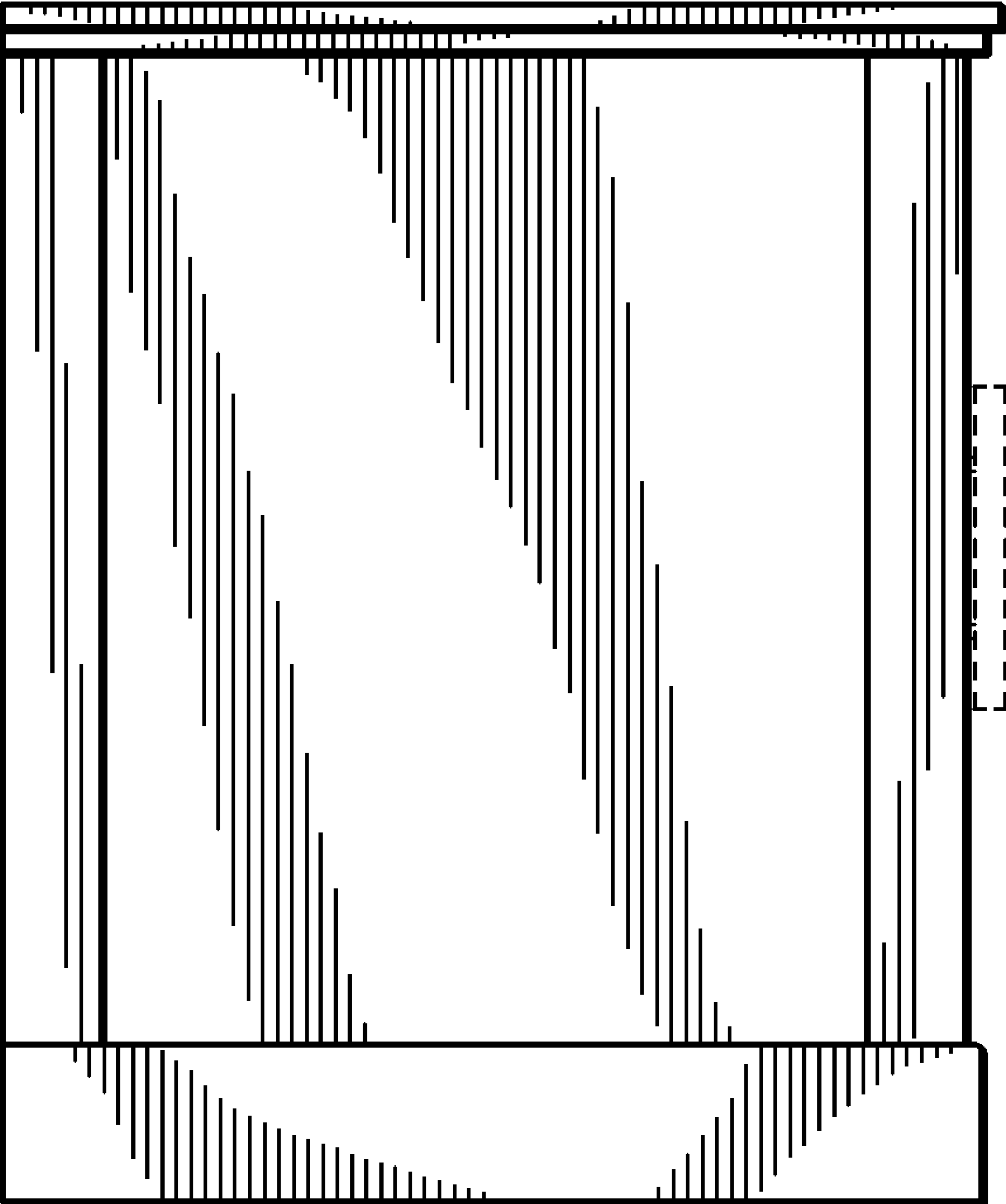
FIG. 2



**FIG. 3**



**FIG. 4**



**FIG. 5**

