



US00D623442S

(12) **United States Design Patent**
Zambelli

(10) **Patent No.:** **US D623,442 S**
(45) **Date of Patent:** **** Sep. 14, 2010**

(54) **AUDIO VIDEO SHELVING UNIT**

(75) Inventor: **Michael P. Zambelli**, Bsking Ridge, NJ
(US)

(73) Assignee: **Bell'O International Corp.**,
Morganville, NJ (US)

(**) Term: **14 Years**

(21) Appl. No.: **29/343,188**

(22) Filed: **Sep. 9, 2009**

(51) **LOC (9) Cl.** **06-04**

(52) **U.S. Cl.** **D6/470; D6/446**

(58) **Field of Classification Search** D6/432-448,
D6/470, 477-479, 480; 312/7.2, 9.1, 109,
312/114, 117, 138.1, 204, 224, 237, 257.1,
312/278, 279

See application file for complete search history.

(56) **References Cited**

U.S. PATENT DOCUMENTS

D371,017 S	*	6/1996	Walters et al.	D6/436
D440,431 S	*	4/2001	Alexandersson	D6/446
D446,050 S	*	8/2001	Sabo et al.	D6/446
D454,731 S		3/2002	Niitsu et al.		
D458,053 S		6/2002	Luong		
D472,073 S		3/2003	de Carolis		
D472,074 S		3/2003	de Carolis		
D472,075 S		3/2003	de Carolis		
D489,548 S		5/2004	Malizia et al.		
D491,748 S		6/2004	de Carolis		
D491,749 S		6/2004	Malizia et al.		
D491,750 S		6/2004	Bertoncini et al.		
D491,753 S		6/2004	de Carolis		
D492,860 S		7/2004	Bertoncini		
D493,982 S		8/2004	de Carolis		
D496,807 S		10/2004	de Carolis		
D497,060 S		10/2004	Chang et al.		
D497,061 S		10/2004	Decarolis		
D499,582 S	*	12/2004	McDiarmid	D6/470
D505,573 S		5/2005	Malizia		
D506,329 S		6/2005	Sexton		

D507,433 S	7/2005	Portnoy
D507,900 S	8/2005	Sexton
D508,172 S	8/2005	Malizia et al.
D515,337 S	2/2006	de Carolis
D515,849 S	2/2006	Niu
D516,838 S	3/2006	Portnoy
D516,840 S	3/2006	de Carolis
D516,847 S	3/2006	Stenhouse et al.
D519,757 S	5/2006	Portnoy

(Continued)

OTHER PUBLICATIONS

Bell'O's 2005-2006 Product Catalog.

Primary Examiner—Mimosa De

(74) *Attorney, Agent, or Firm*—Lerner, David, Littenberg,
Krumholz & Mentlik, LLP

(57) **CLAIM**

The ornamental design for audio video shelving unit, as shown and described.

DESCRIPTION

FIG. 1 is a front perspective view of my design for an audio video shelving unit;

FIG. 2 is a front elevational view thereof;

FIG. 3 is a rear elevational view thereof;

FIG. 4 is a top plan view thereof; and

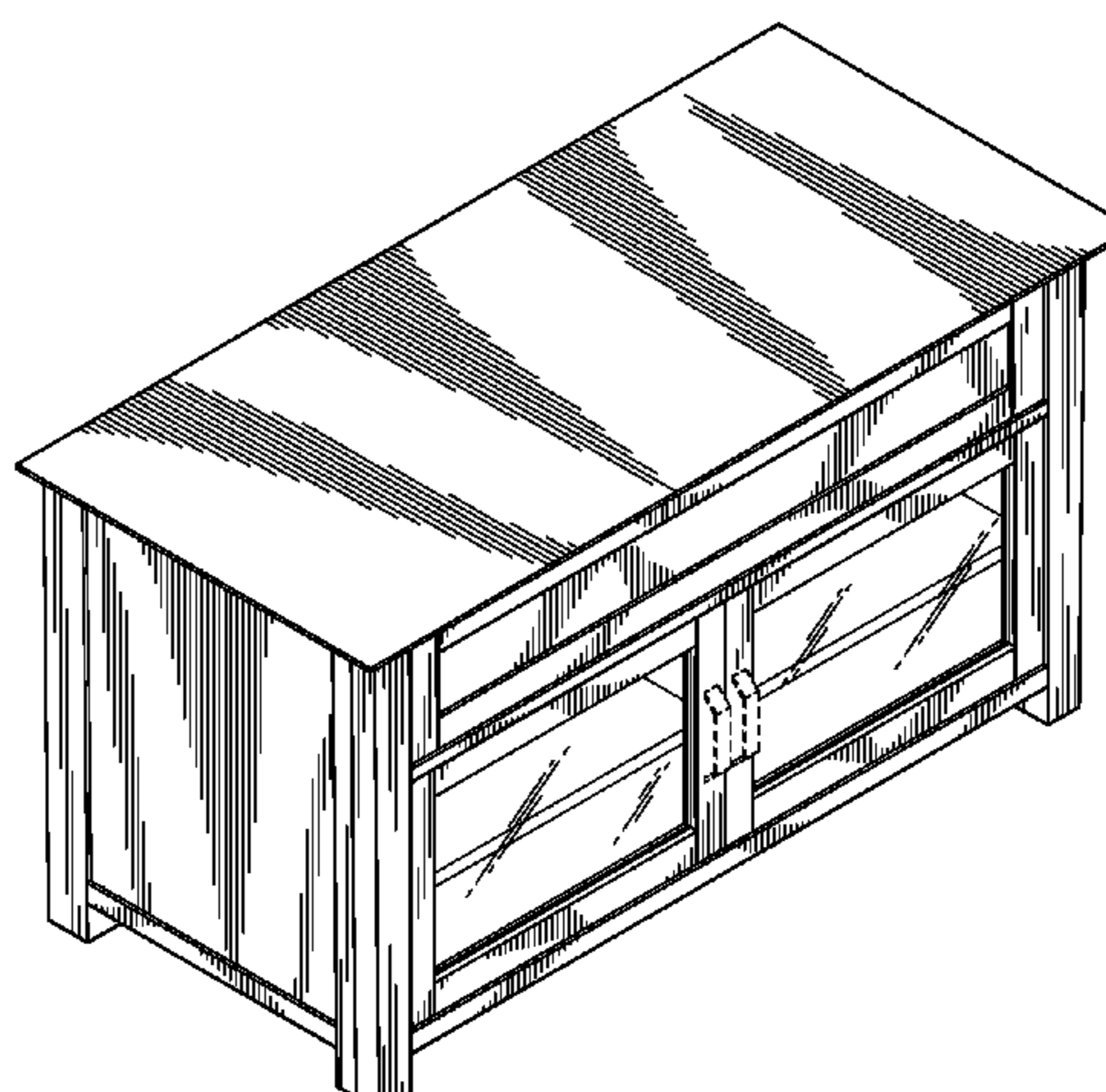
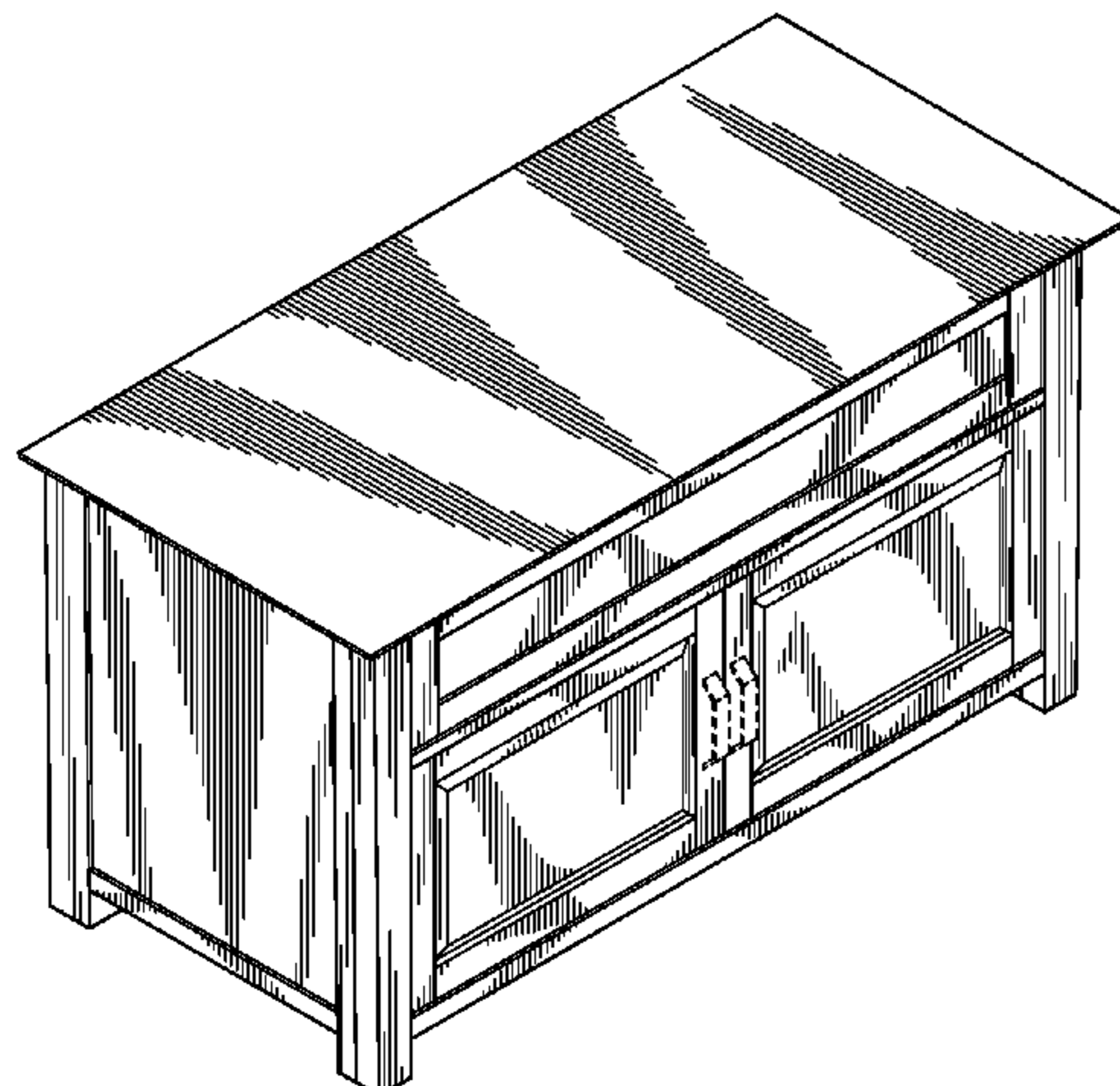
FIG. 5 is a right side view thereof (the left side being a mirror image of the right side view).

FIG. 6 is a front perspective view of a second embodiment of the audio video shelving unit; and,

FIG. 7 is a front elevational view of the embodiment shown in FIG. 6 (all other views of the second embodiment having the same appearance as FIGS. 3-5).

The broken lines shown on the drawings are included for the purpose of illustration and form no part of the claimed design.

1 Claim, 7 Drawing Sheets



US D623,442 S

Page 2

U.S. PATENT DOCUMENTS					
D524,080 S	7/2006	Stenhouse et al.	D564,260 S	3/2008	deCarolis
D525,052 S	7/2006	Malizia et al.	D564,261 S	3/2008	Sculler
D525,054 S	7/2006	Stenhouse et al.	D564,789 S	3/2008	deCarolis
D527,208 S	8/2006	Malizia et al.	D564,796 S	3/2008	Zambelli
D528,827 S *	9/2006	Becker D6/470	D586,585 S *	2/2009	Hynes D6/470
D535,497 S	1/2007	Portnoy	D587,483 S	3/2009	Zambelli
D537,656 S	3/2007	Stenhouse et al.	D587,496 S	3/2009	Weitz
D543,729 S	6/2007	Weatherly	D587,497 S	3/2009	Zambelli
D549,991 S	9/2007	Stravitz	D589,280 S	3/2009	Zambelli
D554,393 S	11/2007	Yalif	D590,636 S	4/2009	Ou Yang et al.
D555,397 S	11/2007	Yalif	D590,637 S	4/2009	Portnoy
D559,583 S	1/2008	Zambelli	D592,428 S	5/2009	Zambelli
D559,584 S	1/2008	Zambelli	D594,248 S	6/2009	Zambelli
D560,077 S	1/2008	Zambelli	D595,978 S	7/2009	Portnoy et al.
D562,593 S	2/2008	Zambelli	D599,584 S	9/2009	Zambelli

* cited by examiner

FIG. 1

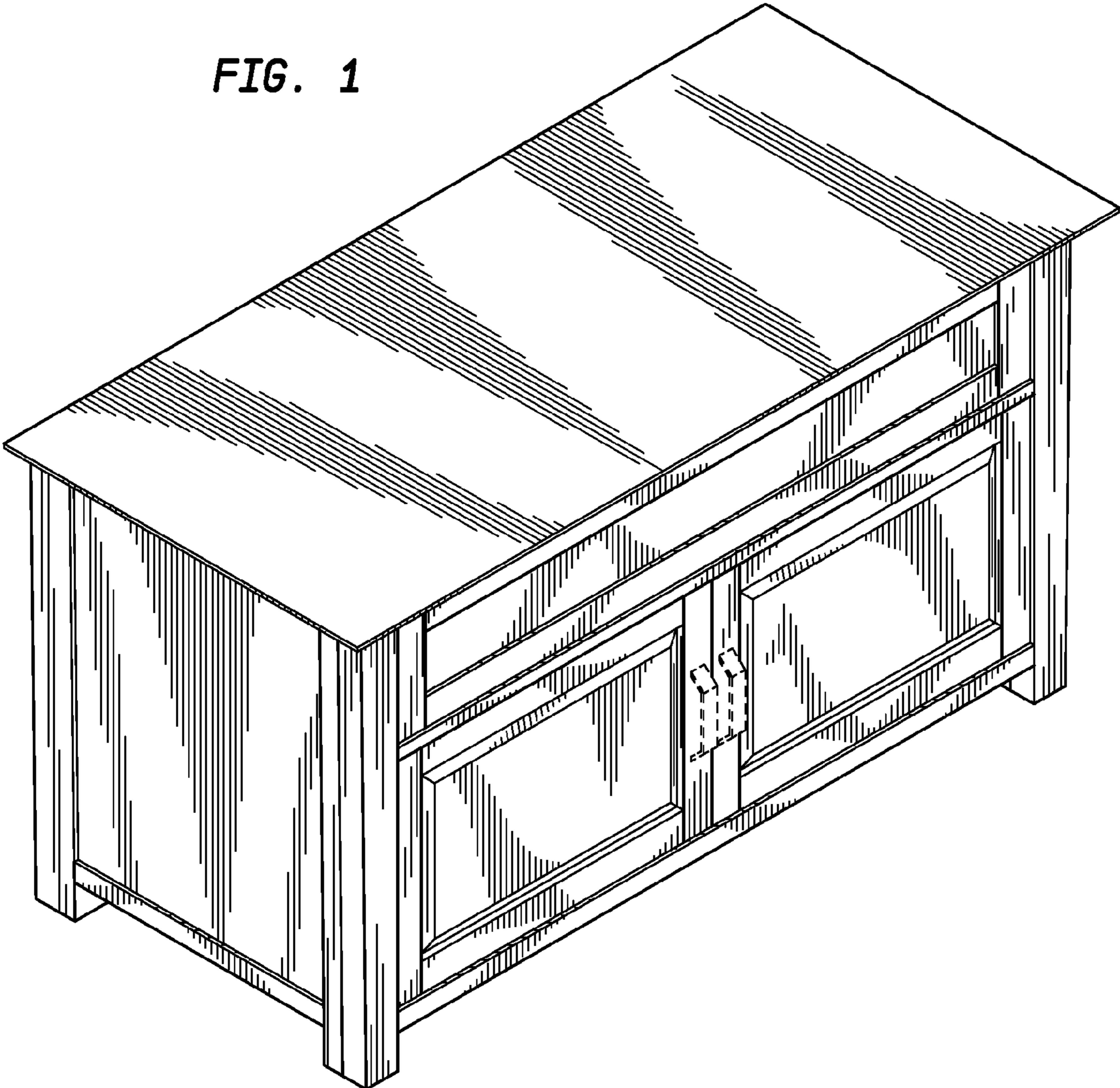


FIG. 2

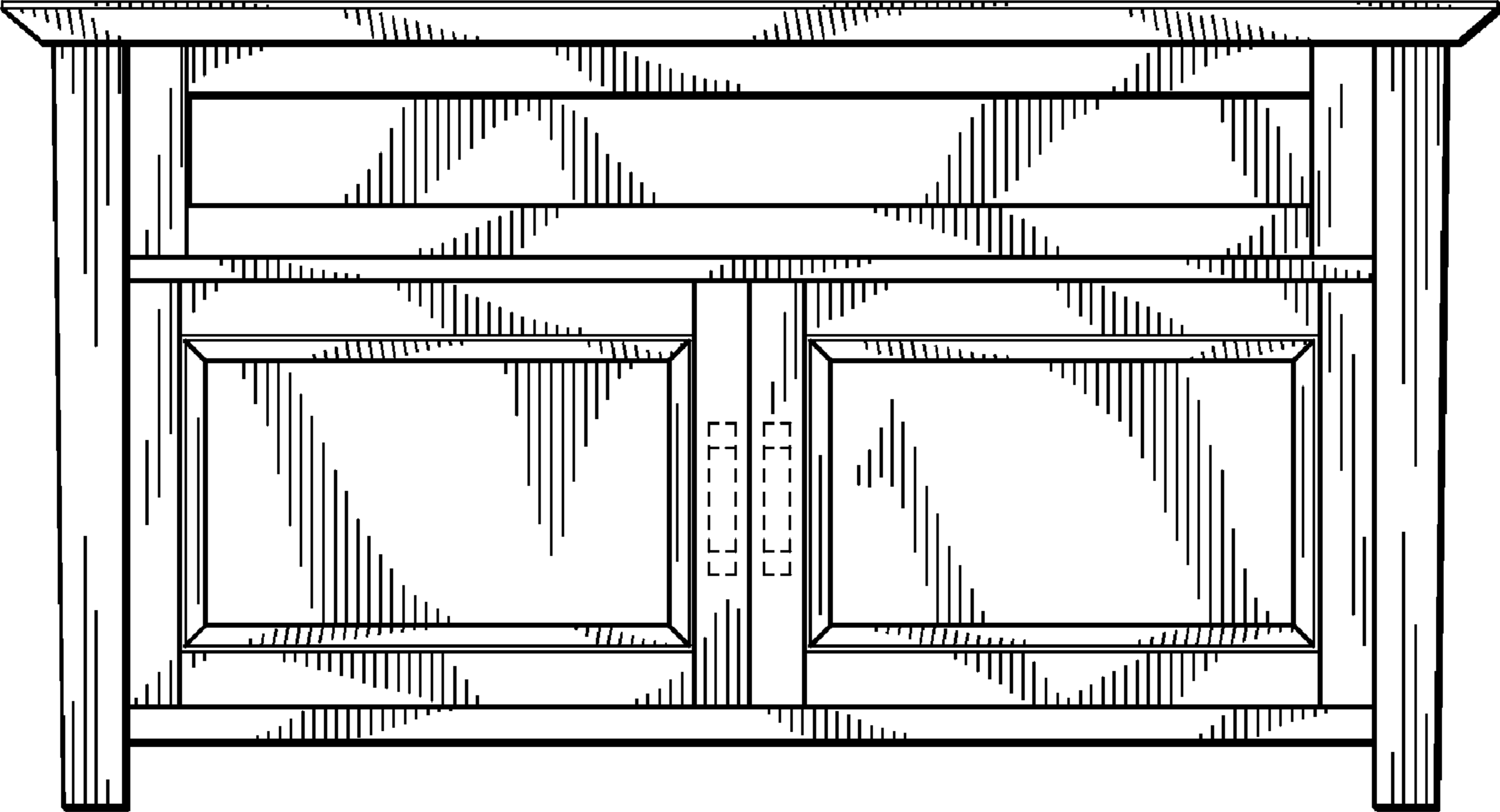


FIG. 3

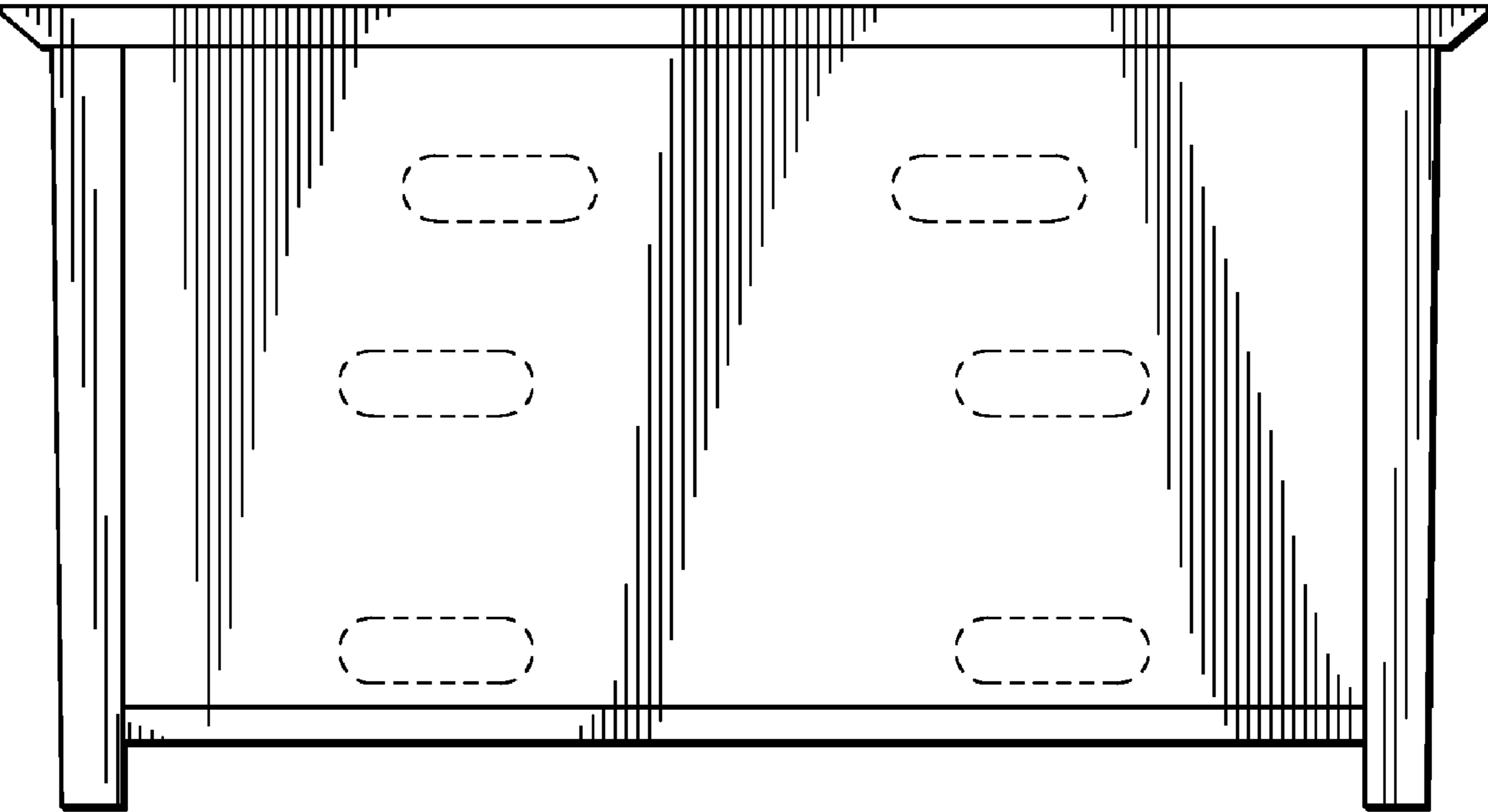


FIG. 4

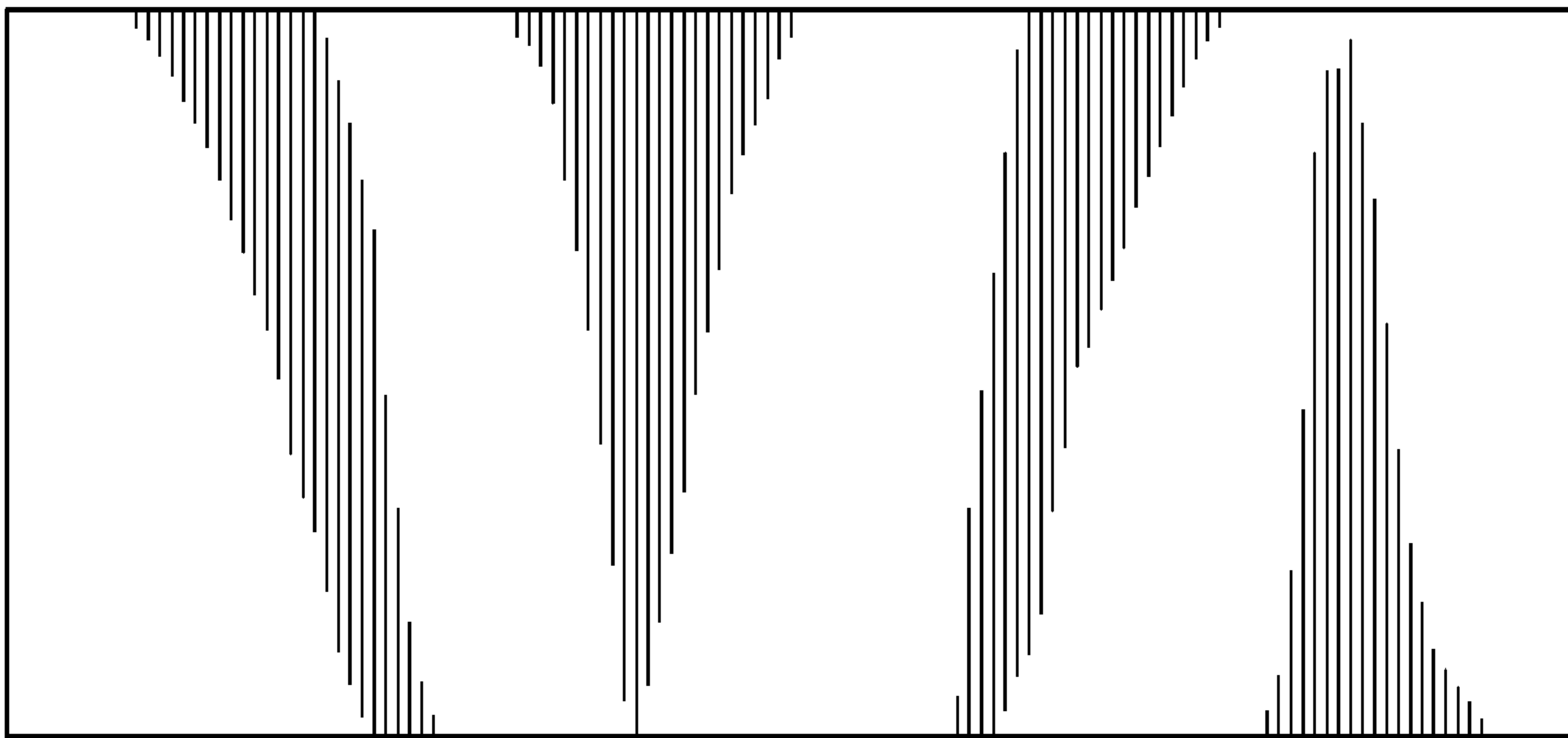


FIG. 5

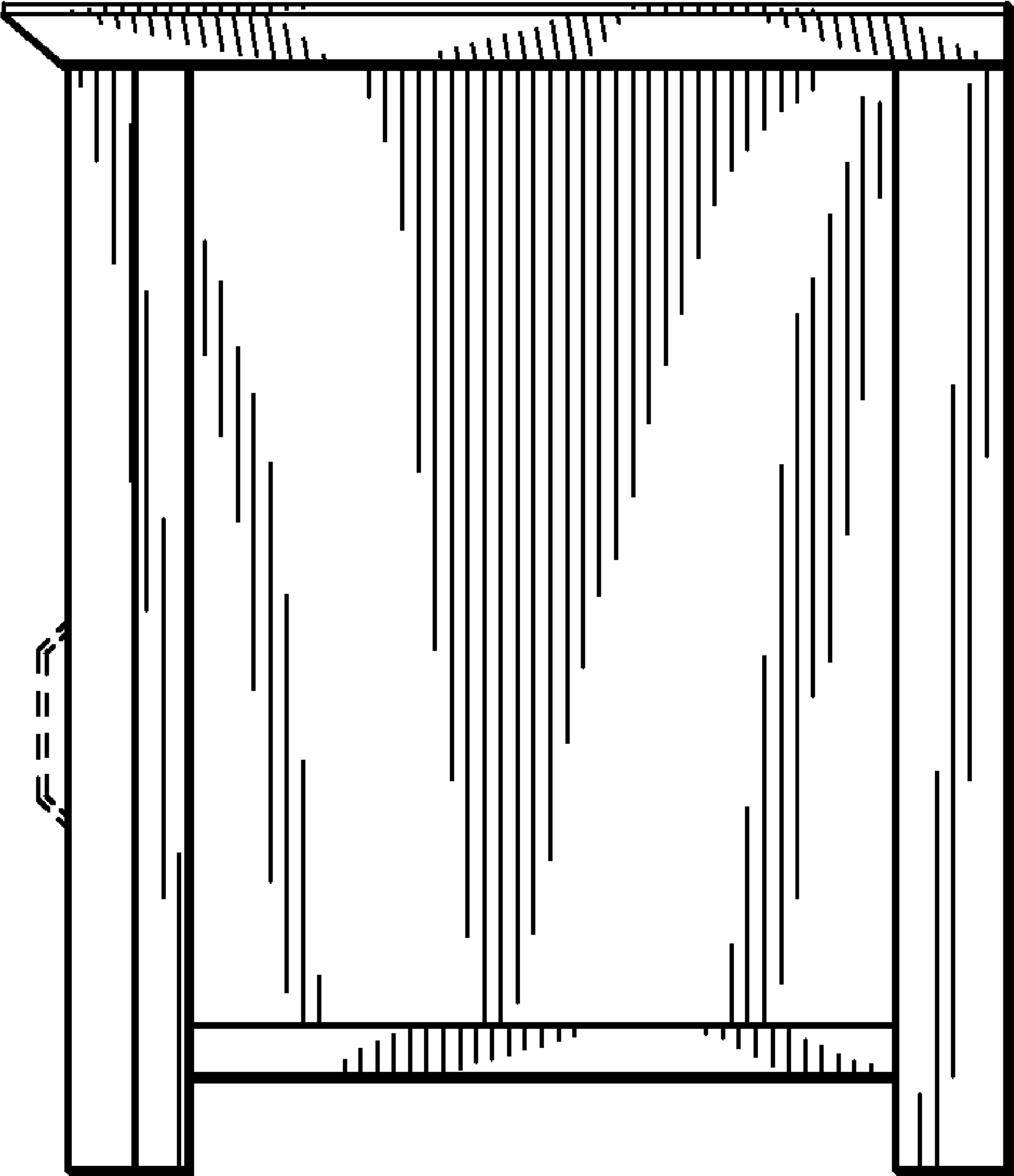


FIG. 6

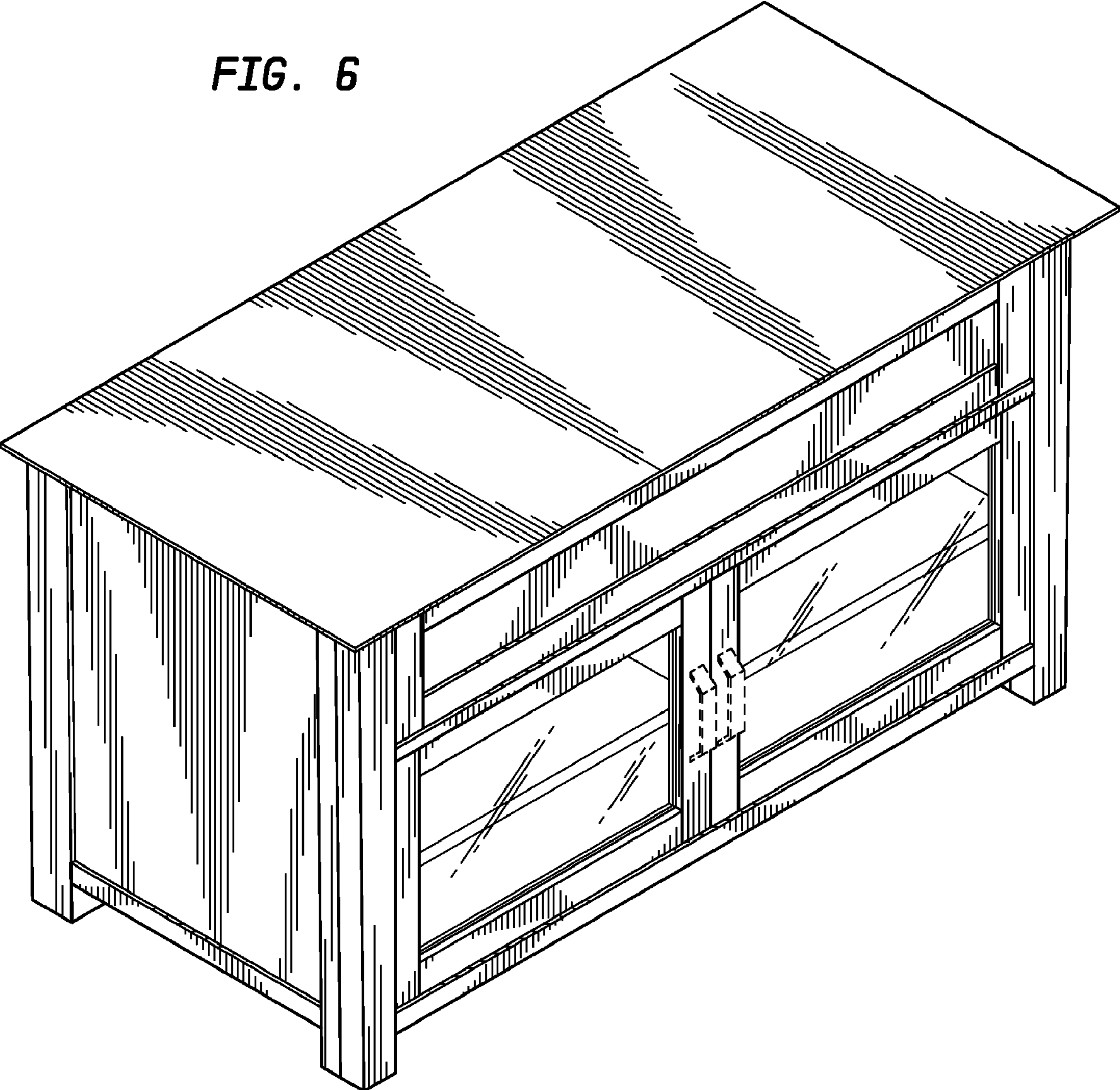


FIG. 7

