



US00D623441S

(12) **United States Design Patent**
Schaeffer

(10) **Patent No.:** **US D623,441 S**

(45) **Date of Patent:** **** Sep. 14, 2010**

(54) **TOOL CASE**

(75) **Inventor:** **Thomas Douglass Schaeffer**, 185
Schoolhouse Rd., Christiana, PA (US)
17509-9622

(73) **Assignee:** **Thomas Douglass Schaeffer**,
Christiana, PA (US)

(**) **Term:** **14 Years**

(21) **Appl. No.:** **29/307,828**

(22) **Filed:** **May 15, 2008**

(51) **LOC (9) Cl.** **06-04**

(52) **U.S. Cl.** **D6/470**

(58) **Field of Classification Search** D6/470,
D6/449, 396, 483; D3/905, 273-274, 276,
D3/281-282; 220/4.21-4.23; D9/424, 426,
D9/430-432; 383/38-40; 206/349, 376;
190/100, 109; 312/902, 244

See application file for complete search history.

(56) **References Cited**

U.S. PATENT DOCUMENTS

D332,524 S *	1/1993	Gray et al.	D3/284
D347,731 S *	6/1994	Hayakawa et al.	D3/282
D412,397 S *	8/1999	Liu	D3/282
D417,781 S *	12/1999	Staheli	D3/282
6,129,210 A *	10/2000	Rustemeyer et al.	206/736
D440,043 S *	4/2001	Miller et al.	D3/282

D516,311 S *	3/2006	Lai	D3/282
D516,811 S *	3/2006	Kahle et al.	D3/282
D523,635 S *	6/2006	Chen	D3/282
D527,523 S *	9/2006	Cornwell et al.	D3/294
D529,716 S *	10/2006	Wang	D3/282
D563,102 S *	3/2008	Cornwell et al.	D3/294
D568,046 S *	5/2008	Hsu	D3/282

* cited by examiner

Primary Examiner—Caron Veynar

Assistant Examiner—Abraham Bahta

(57) **CLAIM**

The ornamental design for a tool case, as shown and described.

DESCRIPTION

FIG. 1 is a perspective view of the tool case in the closed position;

FIG. 2 is a perspective view of the tool case in the open position;

FIG. 3 is a front elevational view thereof;

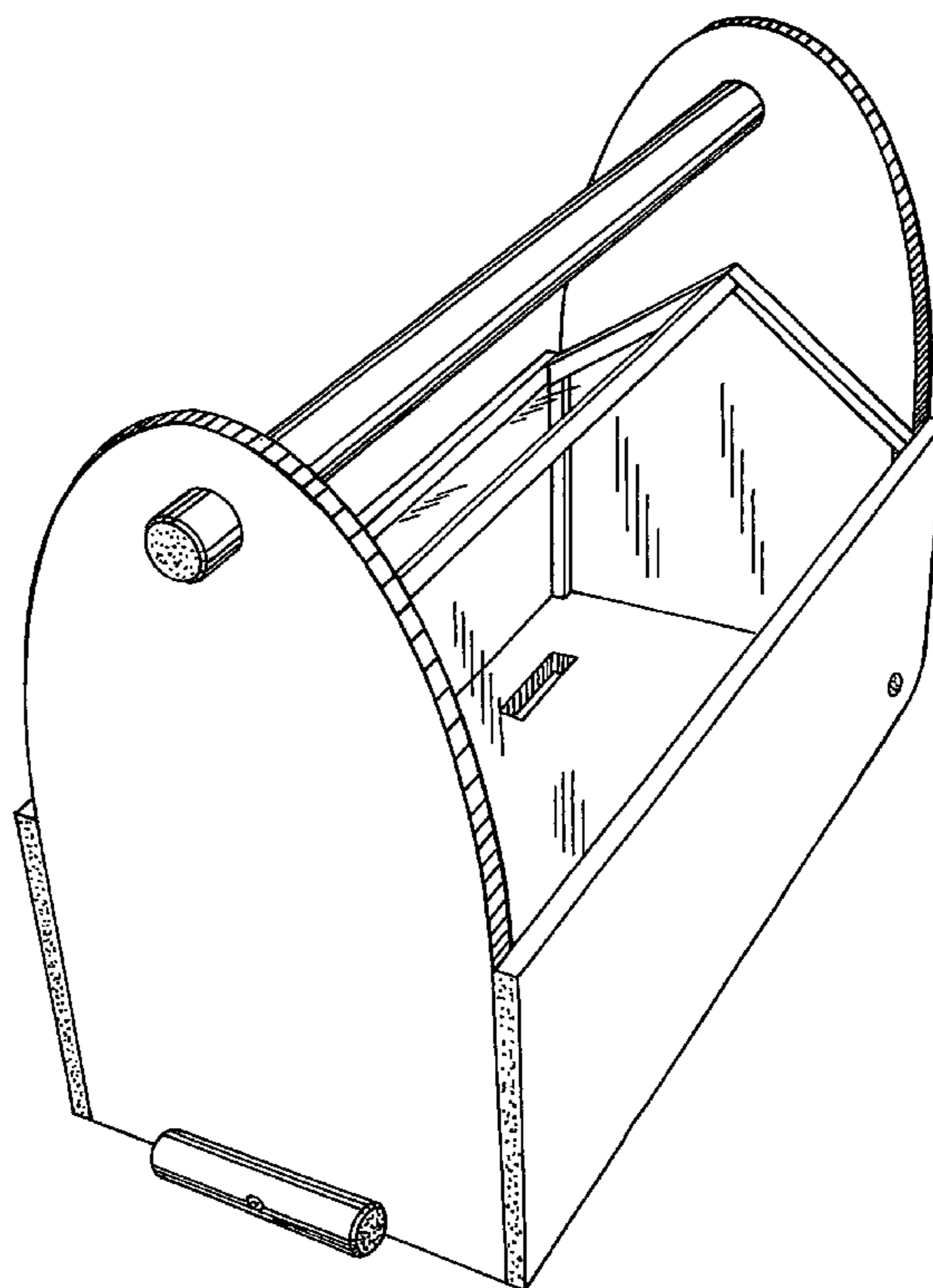
FIG. 4 is a left side elevational view thereof; (The right side elevational view is a mirror image of the left side)

FIG. 5 is a rear elevational view thereof;

FIG. 6 is a top plan view thereof; and,

FIG. 7 is a bottom view thereof.

1 Claim, 7 Drawing Sheets



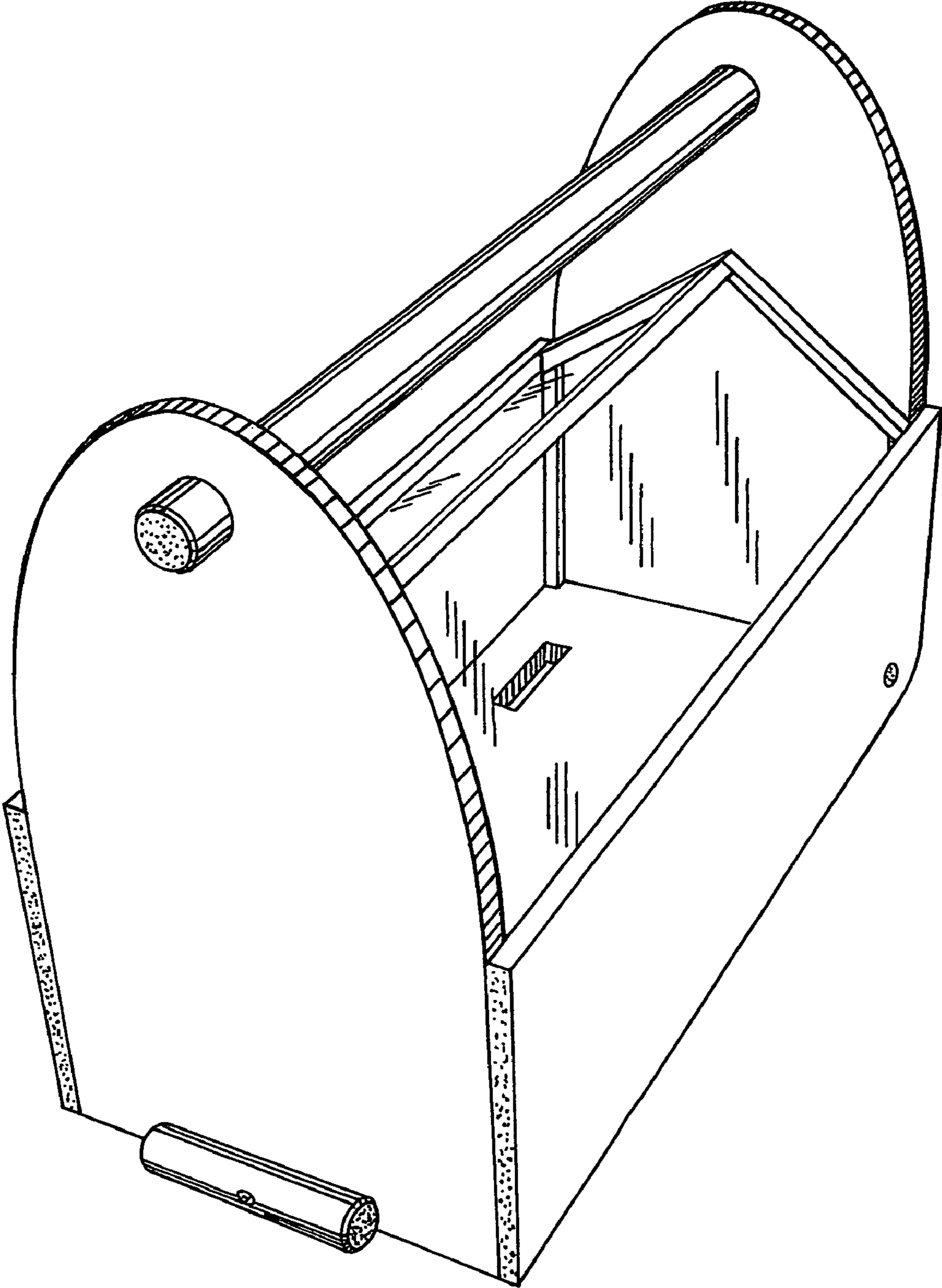


FIG. 1

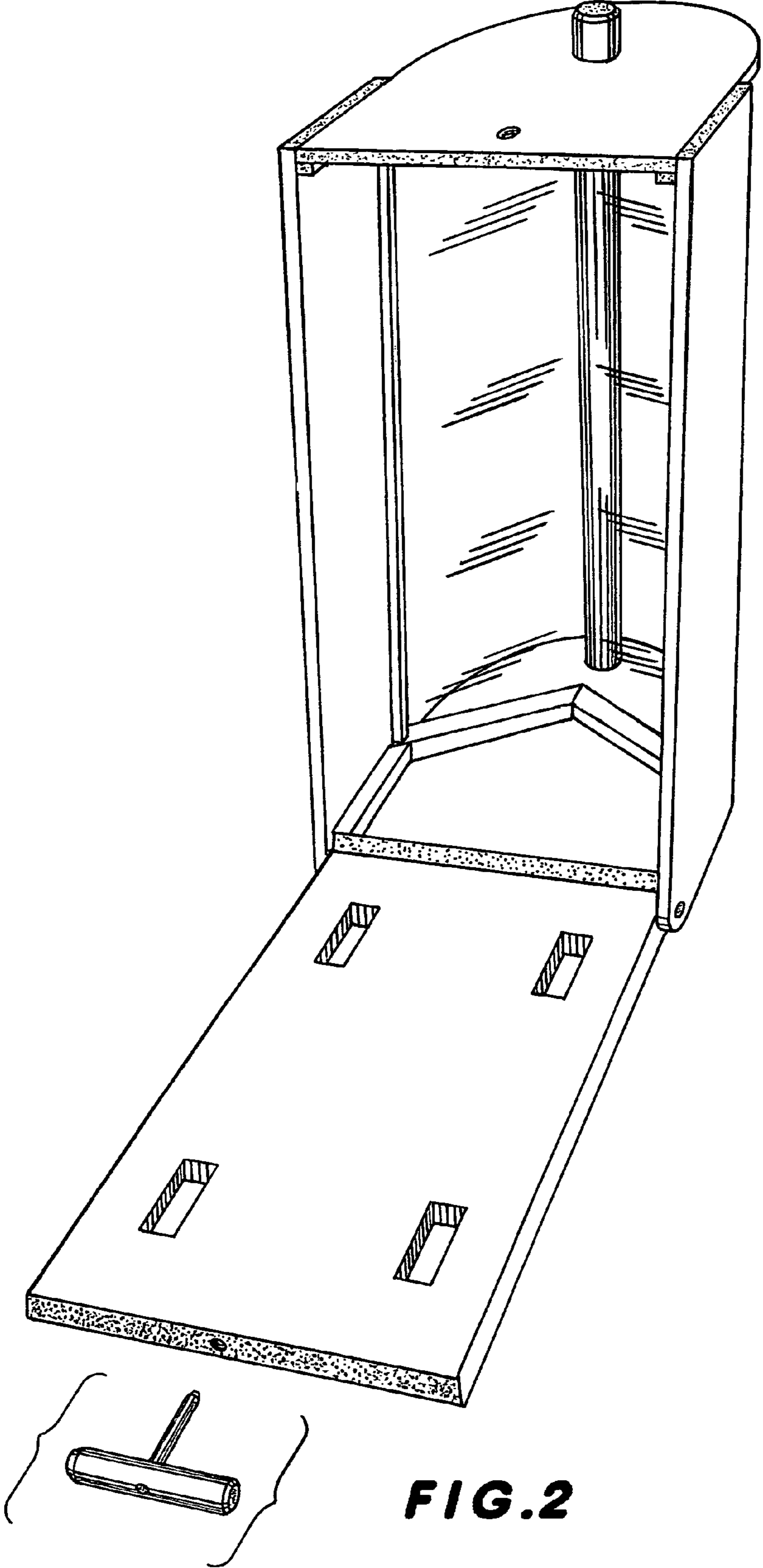


FIG. 2

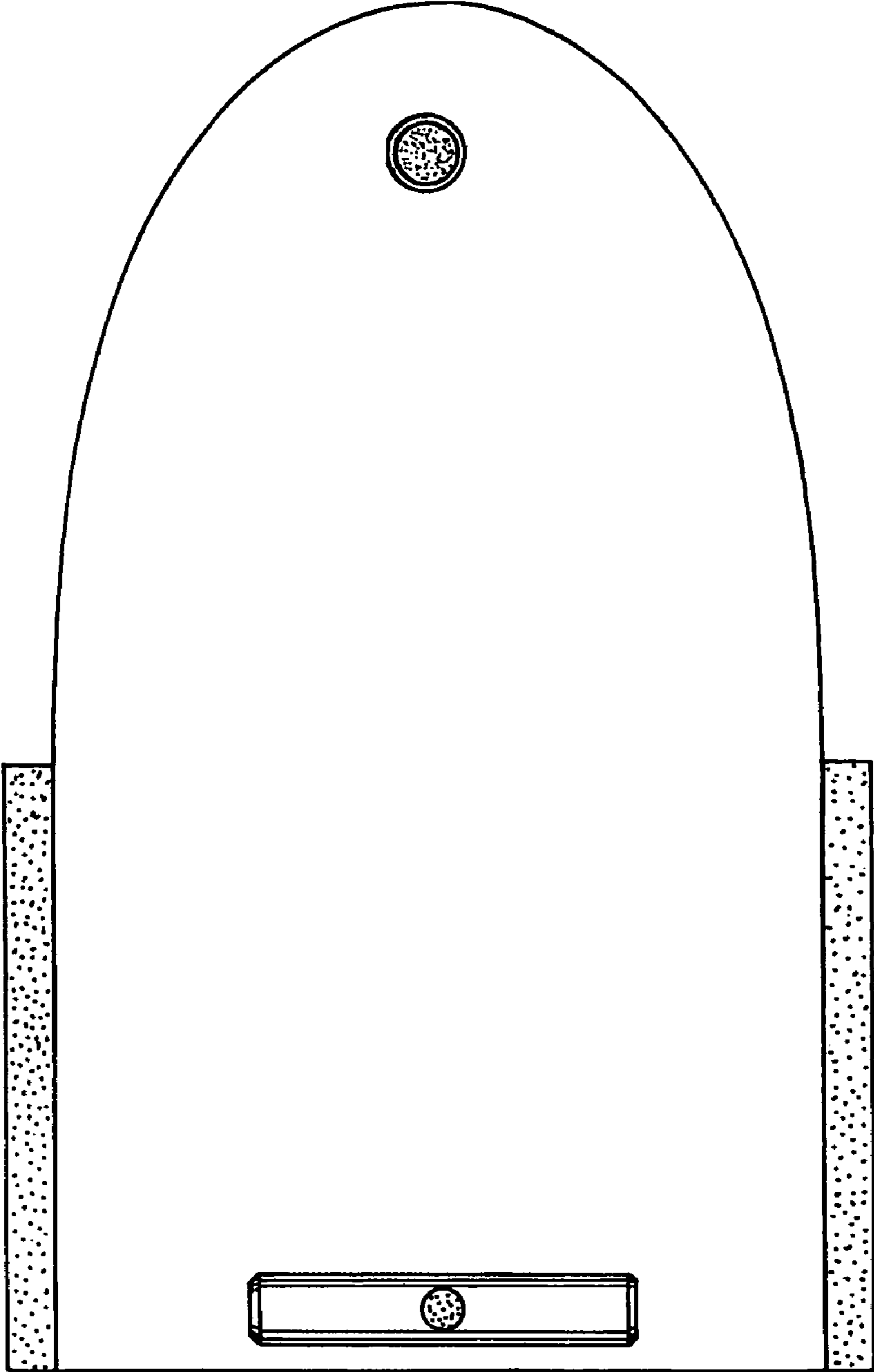


FIG. 3

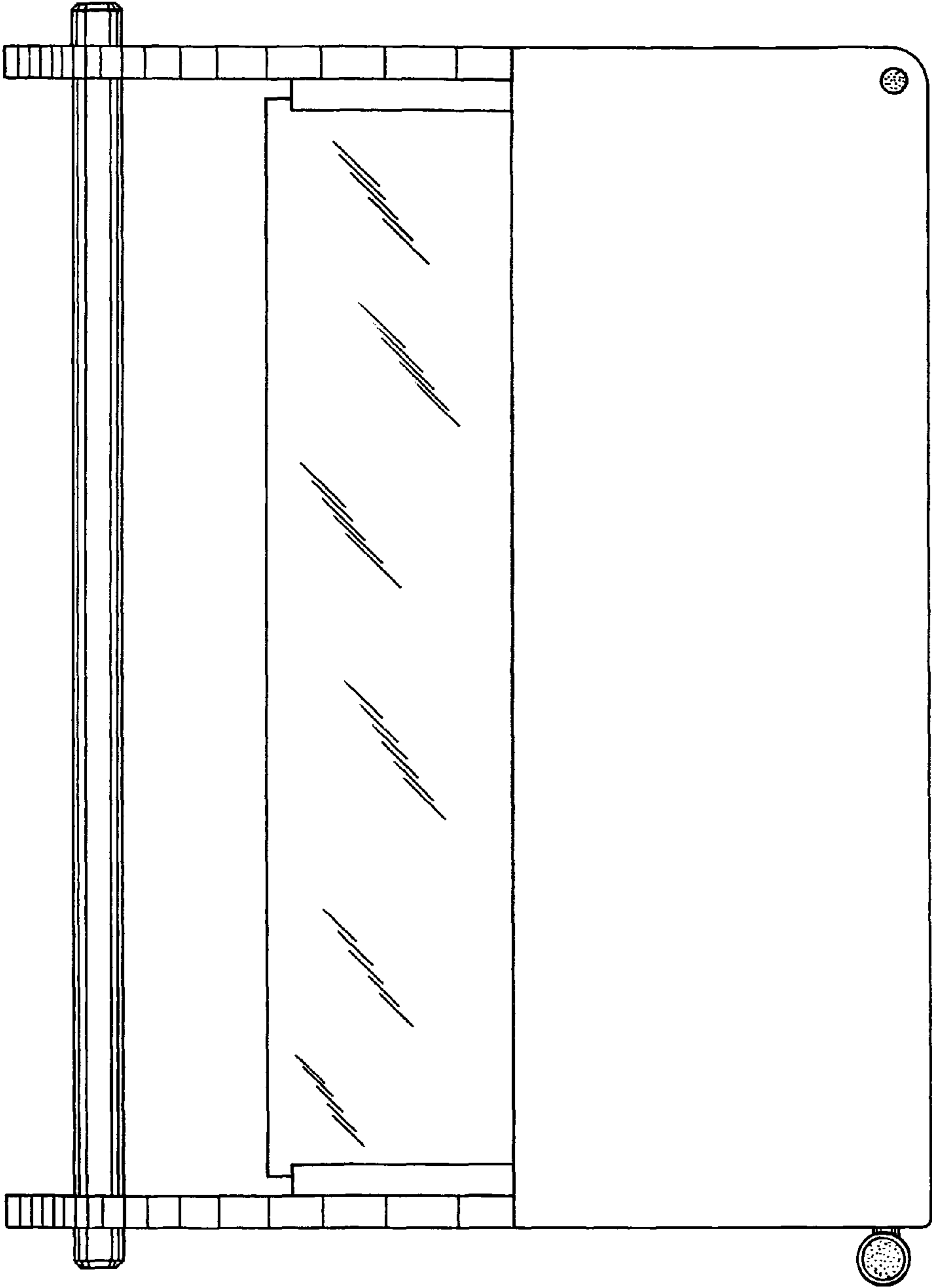


FIG.4

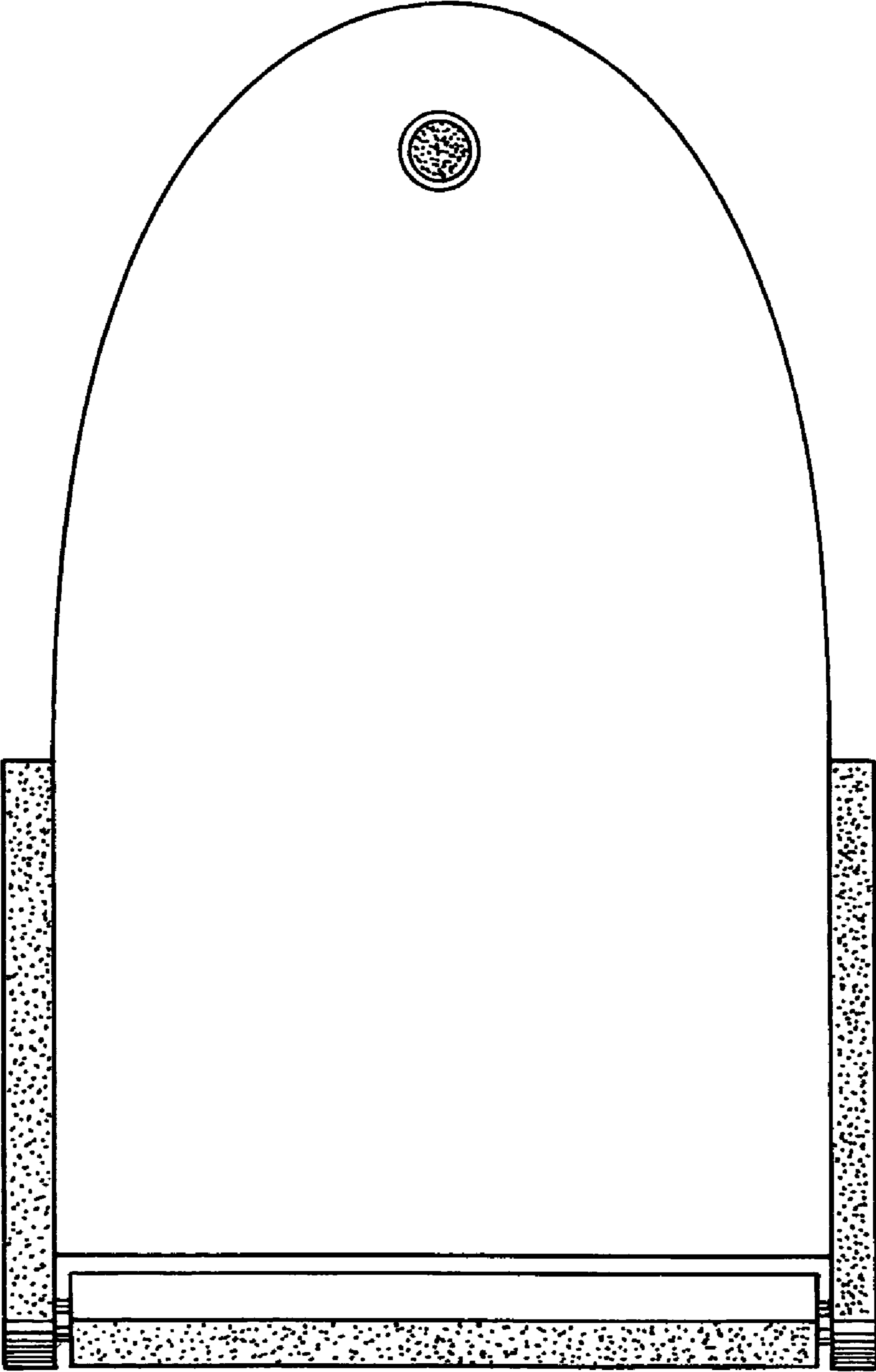


FIG. 5

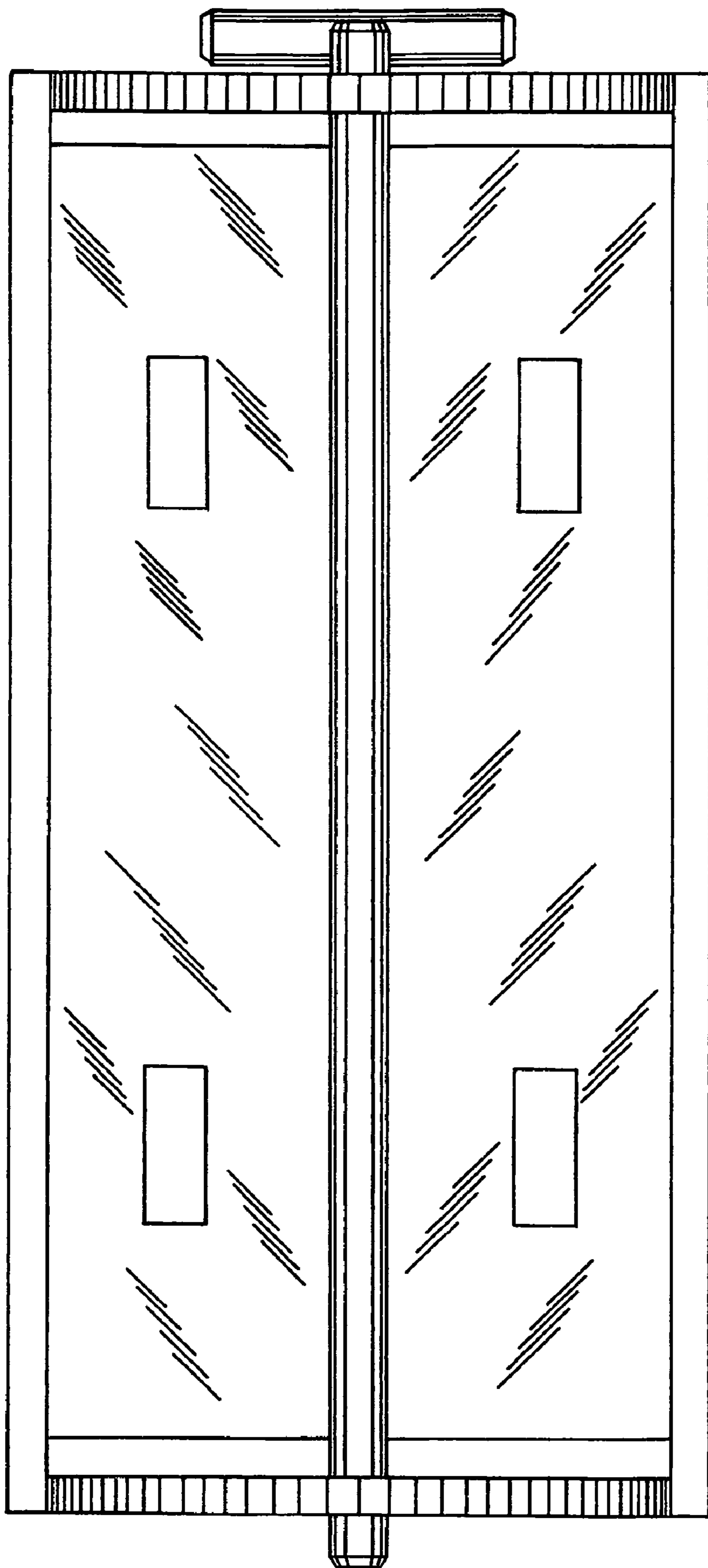


FIG. 6

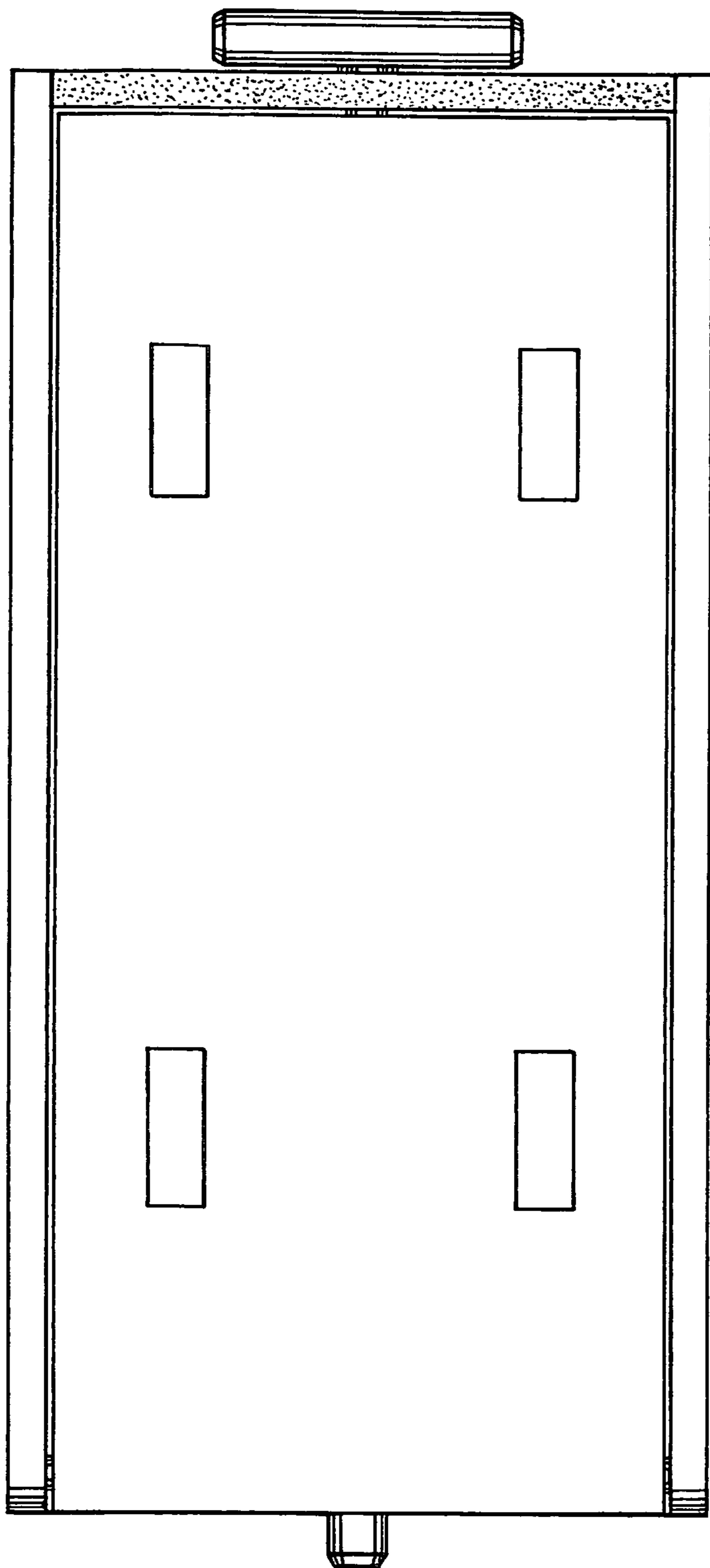


FIG. 7