



US00D623439S

(12) **United States Design Patent**
Daniel et al.

(10) **Patent No.:** **US D623,439 S**
(45) **Date of Patent:** **** Sep. 14, 2010**

(54) **PRODUCT DISPLAY**

(75) Inventors: **Eric Scott Daniel**, Columbus, OH (US);
Janelle Anderson Hottinger, Frisco, TX
(US); **Karl Gregory Flowers**, Frisco,
TX (US); **Michael Robert Howley**,
McKinney, TX (US)

(73) Assignee: **Frito-Lay North America, Inc.**, Plano,
TX (US)

(**) Term: **14 Years**

(21) Appl. No.: **29/344,748**

(22) Filed: **Oct. 2, 2009**

(51) **LOC (9) Cl.** **06-07**

(52) **U.S. Cl.** **D6/465**

(58) **Field of Classification Search** D6/408,
D6/476, 509, 511, 466-468, 515, 475, 479,
D6/409; 174/50; 206/736, 740, 745, 756,
206/761, 762; 211/59.2, 151, 183, 187, 181.1
See application file for complete search history.

(56) **References Cited**

U.S. PATENT DOCUMENTS

D181,322 S *	10/1957	Streich	D6/408
D181,323 S *	10/1957	Streich	D6/408
3,900,112 A *	8/1975	Azzi et al.	211/187
D253,213 S *	10/1979	Hudik et al.	D6/474
4,270,661 A *	6/1981	Rosenband	211/59.2
D317,094 S *	5/1991	Weinberg et al.	D6/463
D321,609 S *	11/1991	Dardashti	D6/408
5,115,920 A *	5/1992	Tipton et al.	211/59.2
5,383,562 A *	1/1995	Gay	211/181.1
D382,133 S *	8/1997	Messina et al.	D6/409
5,797,502 A *	8/1998	Brady et al.	211/183
D402,131 S *	12/1998	Anderson et al.	D6/408

D402,823 S *	12/1998	Anderson et al.	D6/408
6,095,347 A *	8/2000	Mauro-Vetter	211/151
6,605,777 B1 *	8/2003	Anderson et al.	174/50
D573,369 S *	7/2008	Sparkowski	D6/463
D579,691 S *	11/2008	Snider	D6/463

* cited by examiner

Primary Examiner—Susan M Lee

Assistant Examiner—Sydney R Buffalow

(74) *Attorney, Agent, or Firm*—Carstens & Cahoon, LLP;
Colin P. Cahoon

(57) **CLAIM**

The ornamental design for a product display, as shown and described.

DESCRIPTION

FIG. 1 is a perspective view of a product display showing our new design;

FIG. 2 is a perspective view thereof;

FIG. 3 is a front view thereof;

FIG. 4 is a left elevational view thereof;

FIG. 5 is a rear elevational view thereof;

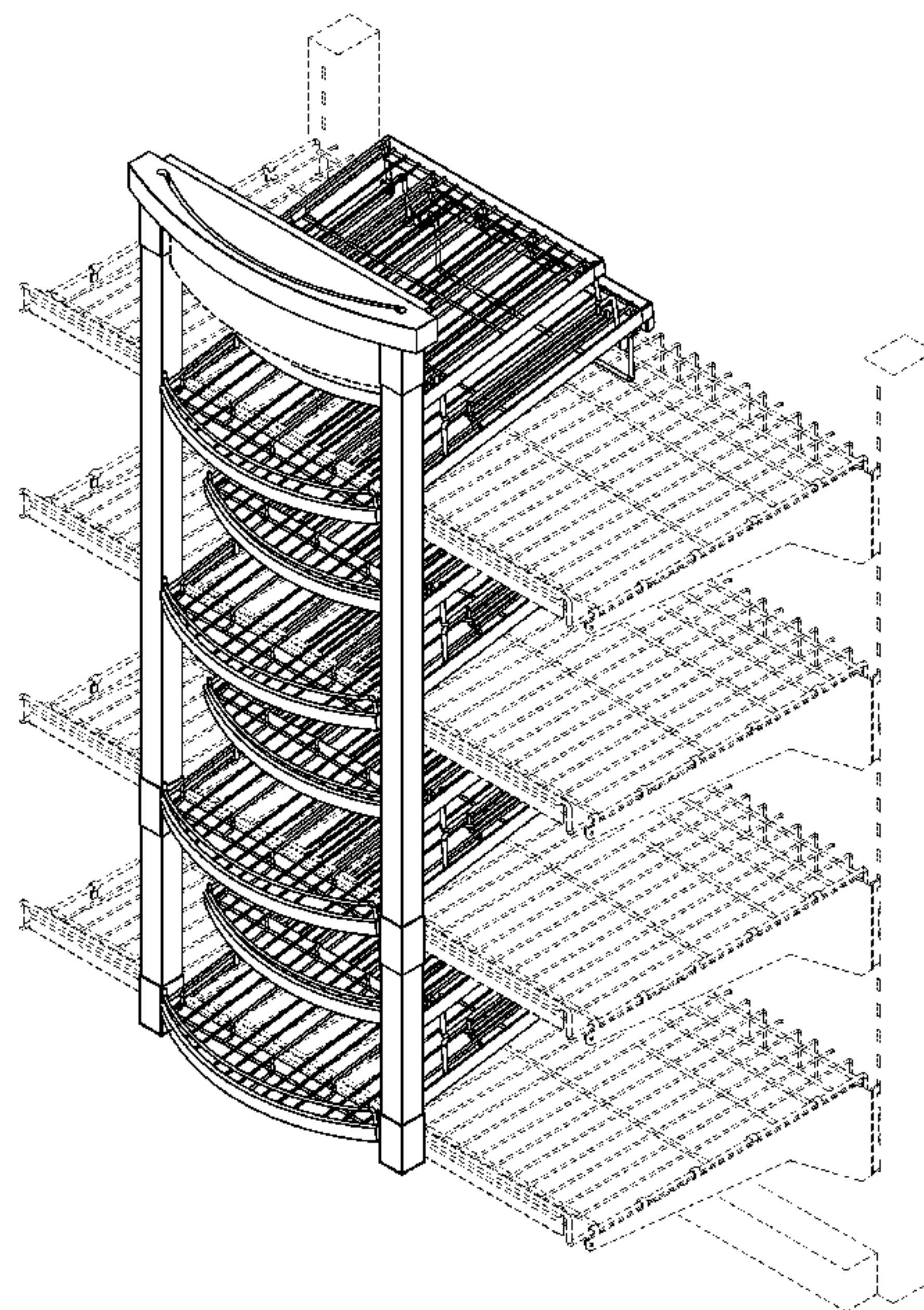
FIG. 6 is a right elevational view thereof;

FIG. 7 is a top elevational view thereof; and,

FIG. 8 is a bottom elevational view thereof.

The broken lines showing a display rack supporting the claimed design in FIG. 1 is for the purpose of illustrating environmental structure and forms no part of the claimed design. The broken lines depicting a banner located near the top of FIGS. 1, 2, 3, 9, 10, and 12 define the bounds of the claimed design and form no part thereof.

1 Claim, 5 Drawing Sheets



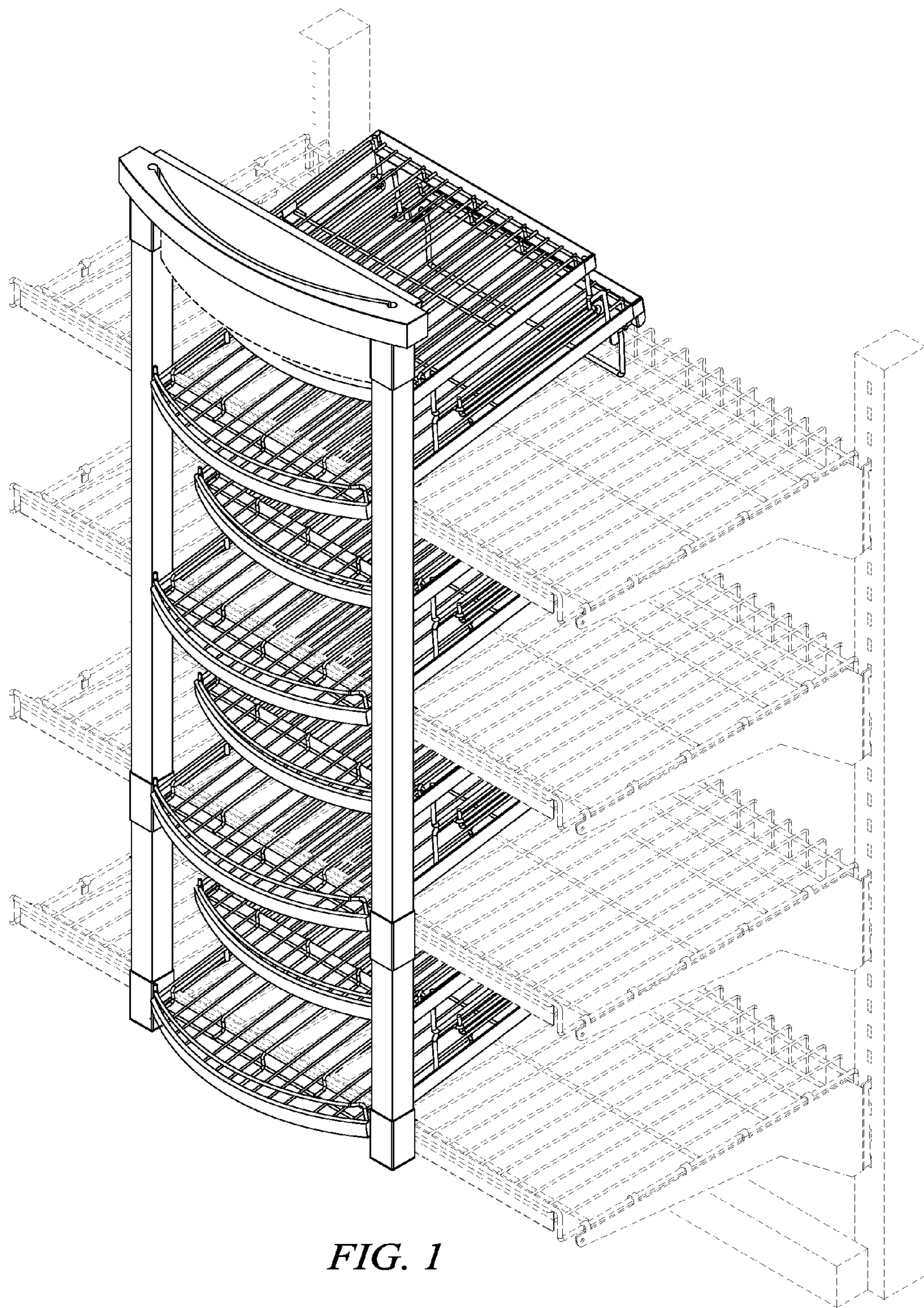


FIG. 1

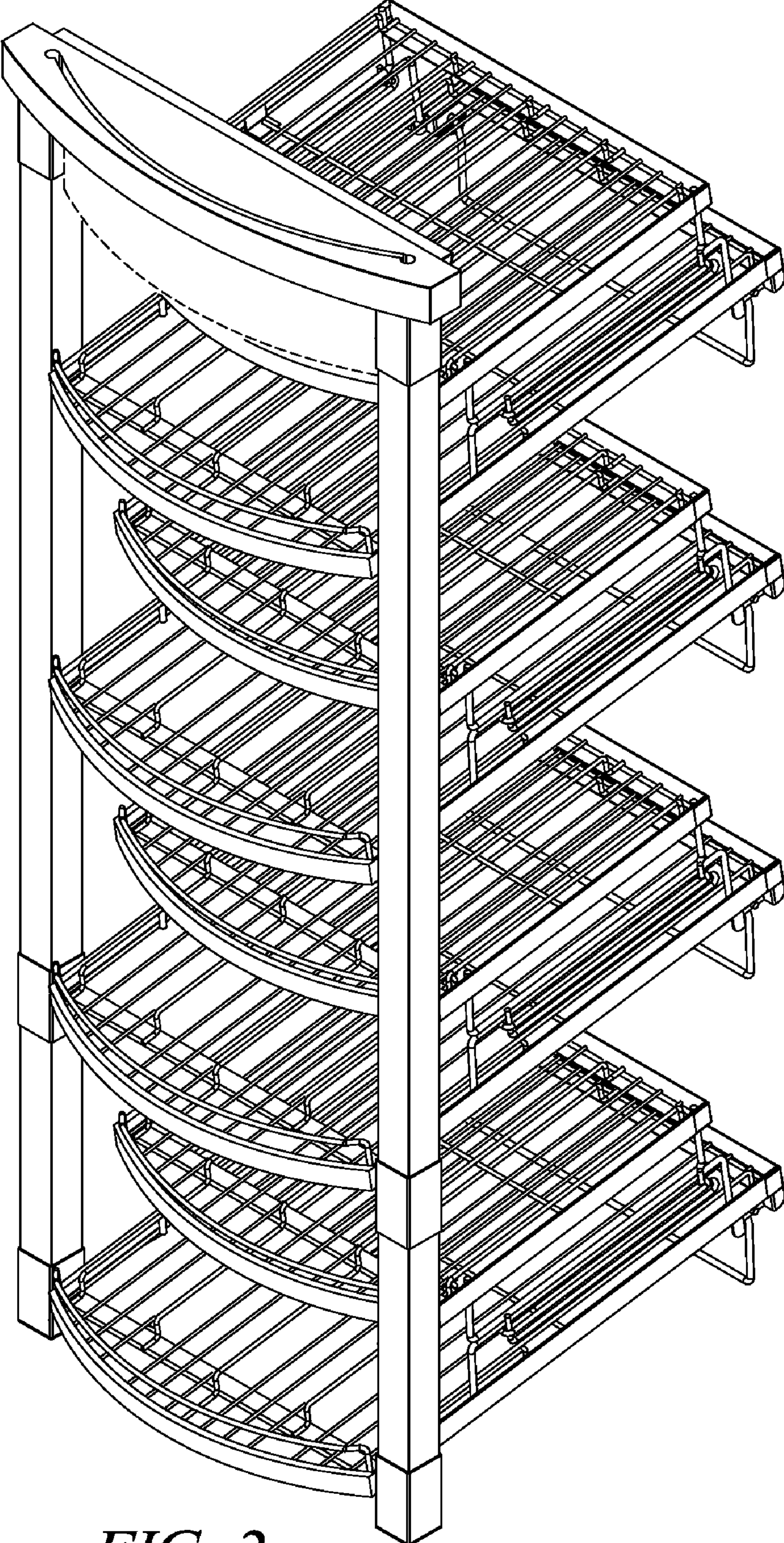


FIG. 2

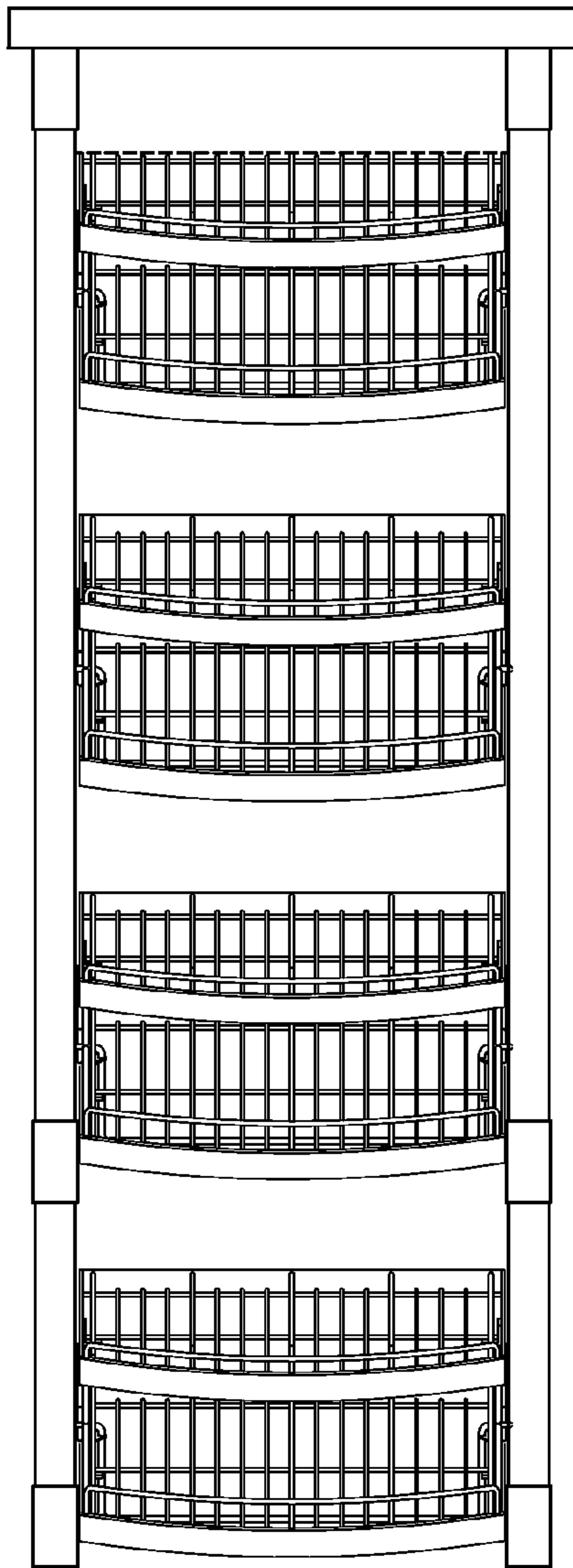


FIG. 3

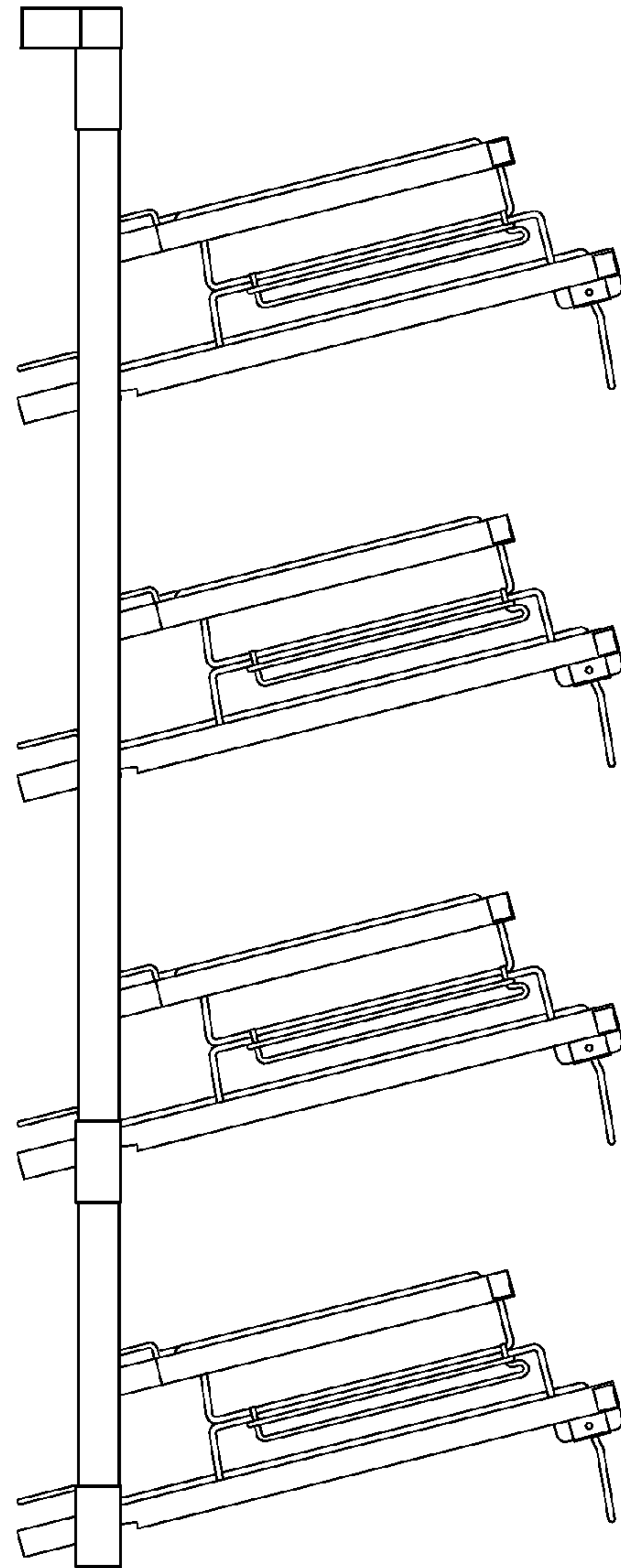


FIG. 4

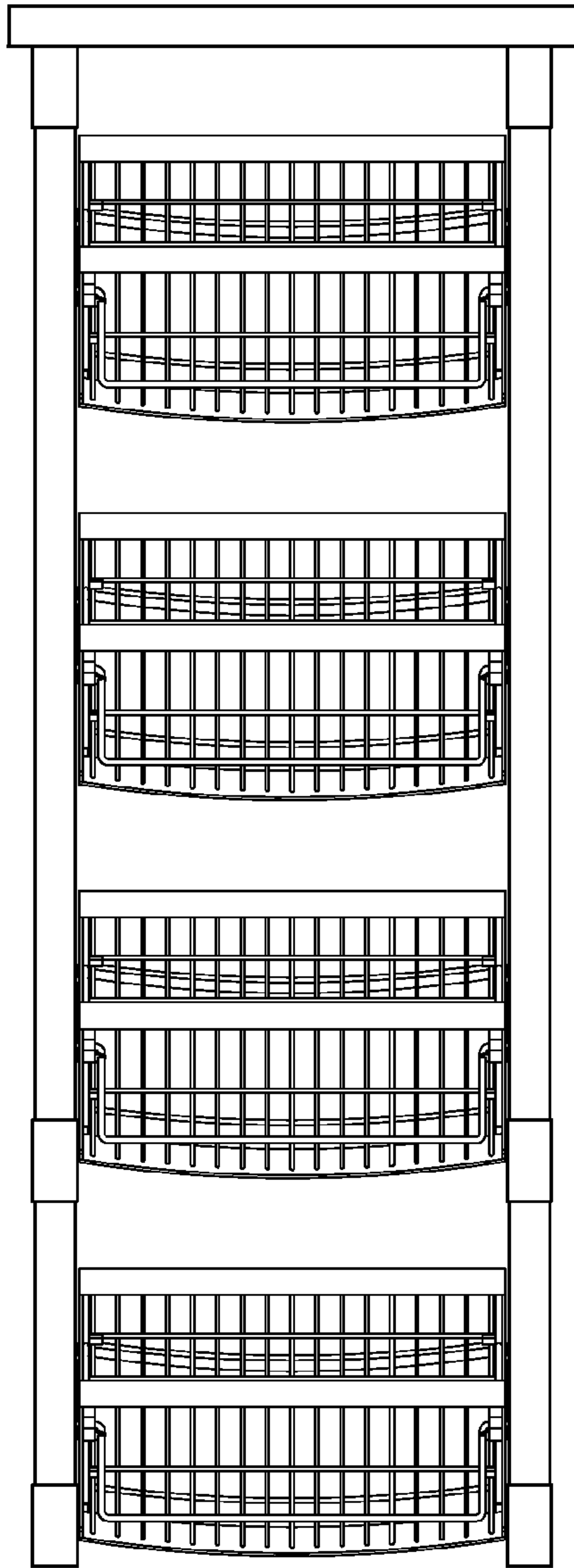


FIG. 5

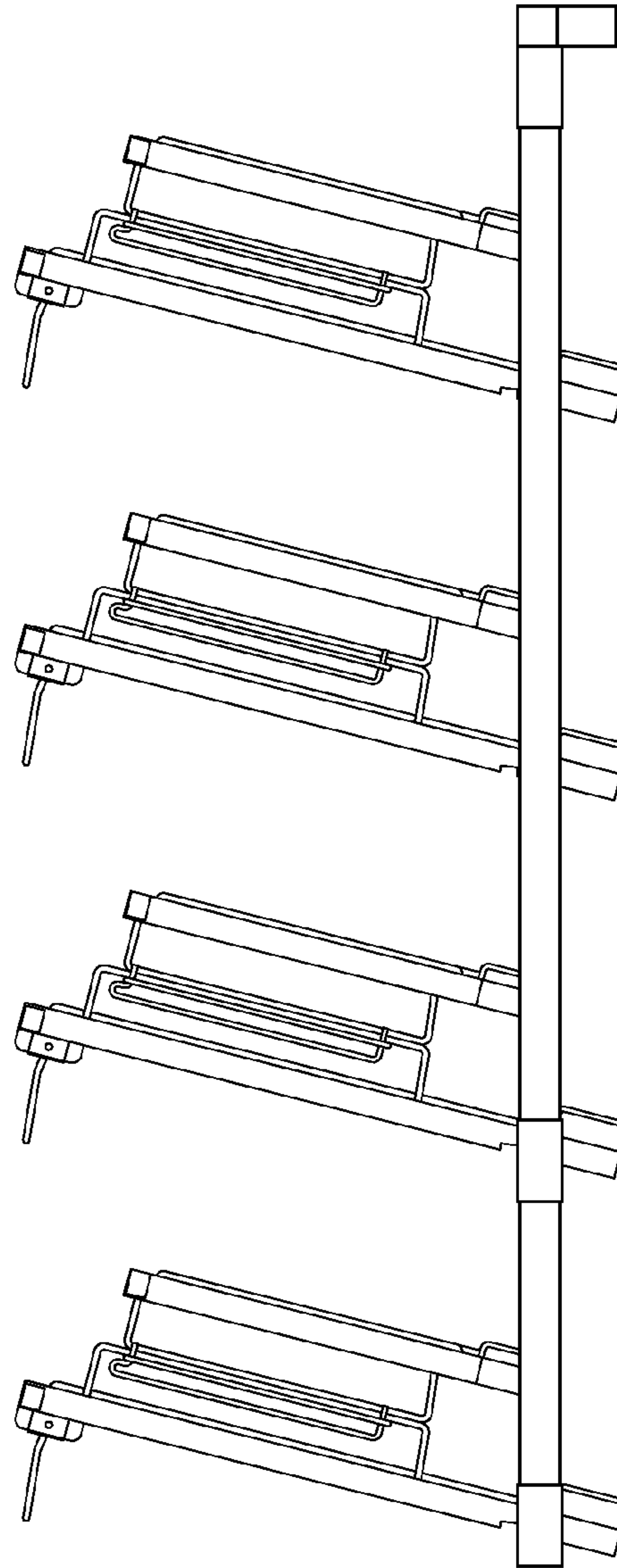


FIG. 6

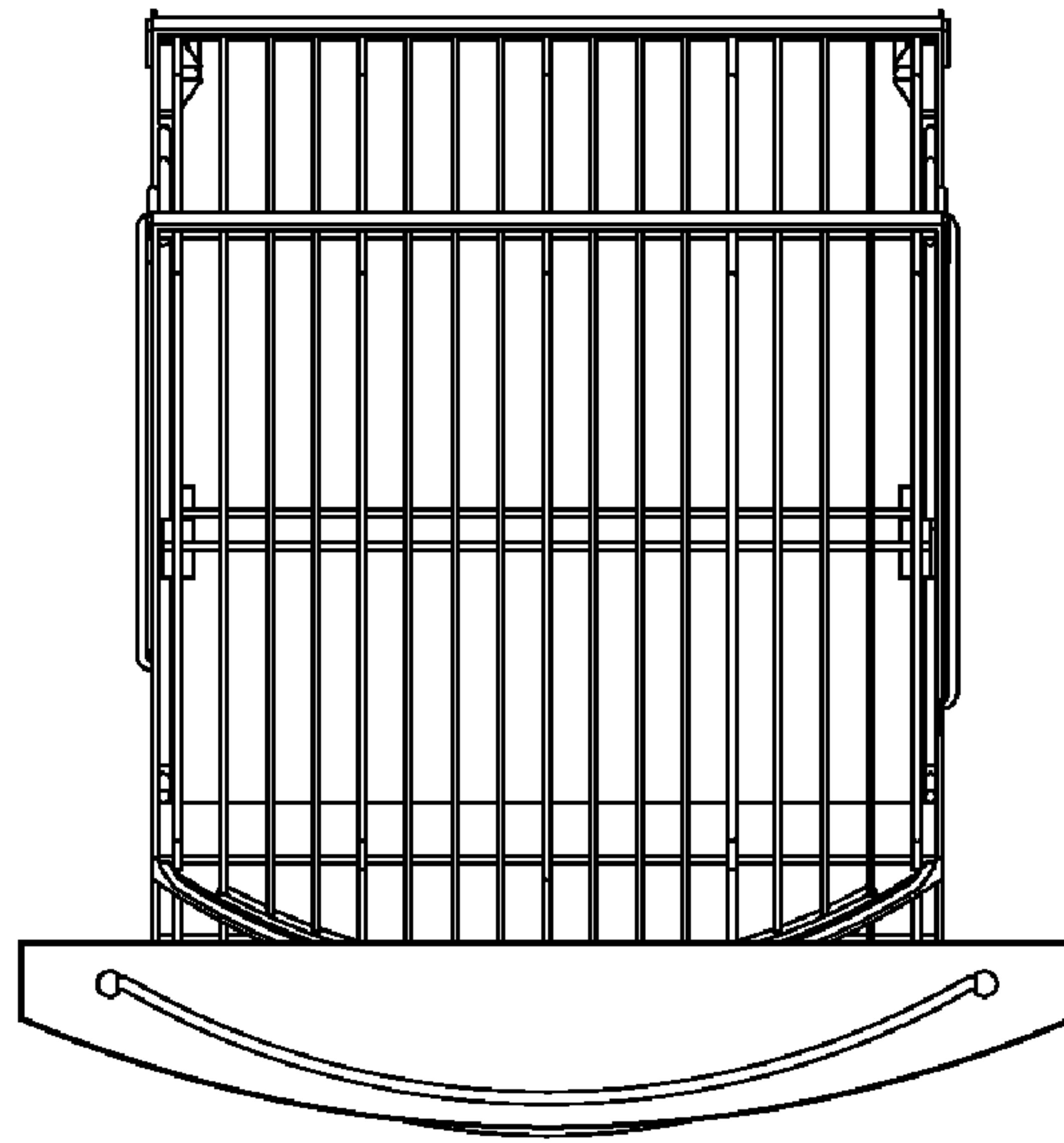


FIG. 7

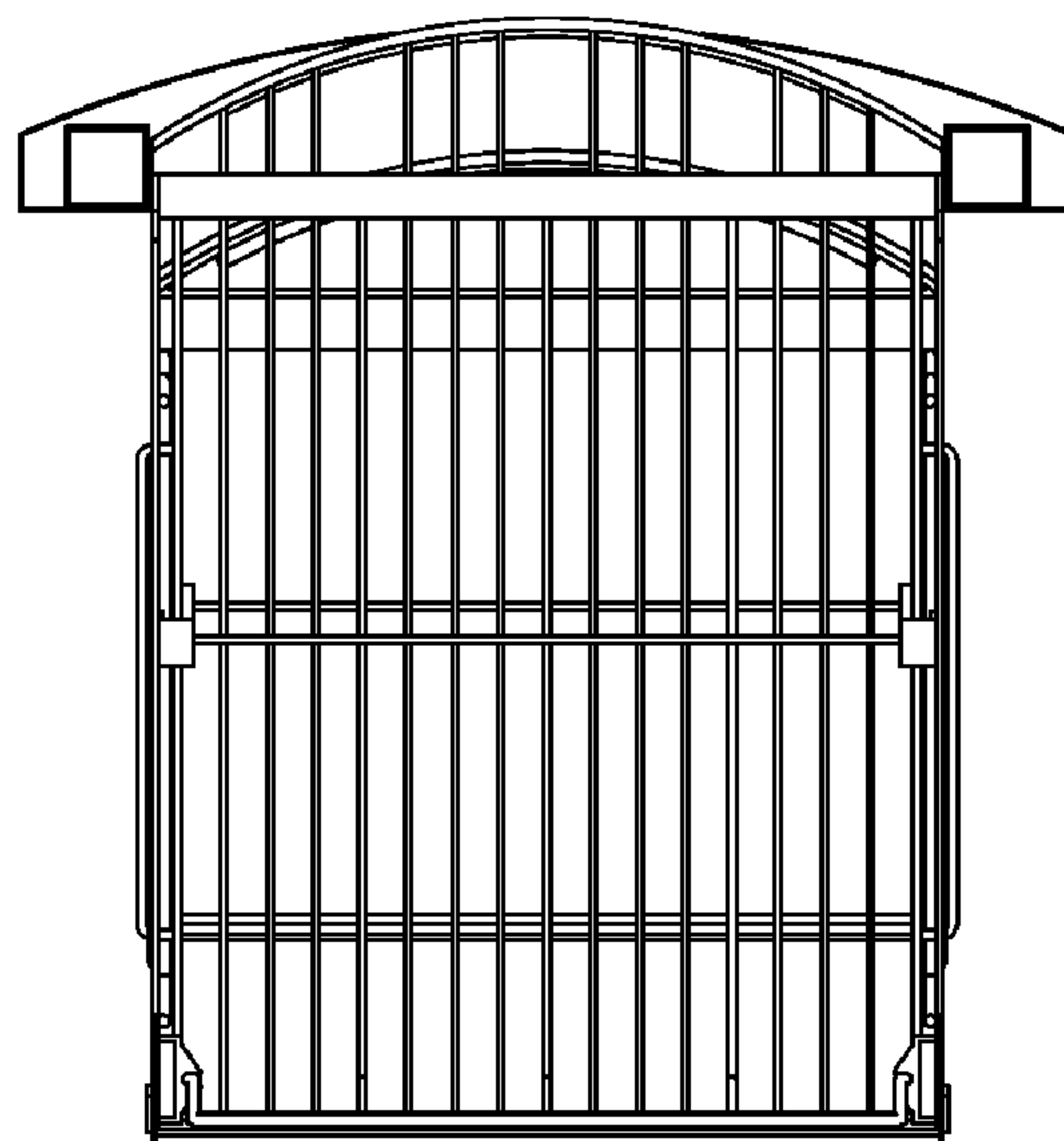


FIG. 8