



US00D623438S

(12) **United States Design Patent**
Dively et al.

(10) **Patent No.:** **US D623,438 S**

(45) **Date of Patent:** **** Sep. 14, 2010**

(54) **BASEBALL THEMED TABLE**

(76) Inventors: **Greg Dively**, 5 Foundry Ct.,
Cockeysville, MD (US) 21030; **John**
Marple, 7433 Inwood Ave., Catonsville,
MD (US) 21228

(**) Term: **14 Years**

(21) Appl. No.: **29/345,881**

(22) Filed: **Oct. 23, 2009**

(51) **LOC (9) Cl.** **06-03**

(52) **U.S. Cl.** **D6/451**

(58) **Field of Classification Search** D6/480-489,
D6/495-499, 511, 429-431, 470; 108/150,
108/153.1, 155, 156, 157.1, 161; 248/188,
248/188.1, 188.8

See application file for complete search history.

(56) **References Cited**

U.S. PATENT DOCUMENTS

D223,839 S	6/1972	Mikell	
D250,308 S *	11/1978	Adkinson	D6/487
D304,135 S *	10/1989	Mergenov	D6/477
D309,681 S	8/1990	Solomon et al.	
D309,683 S	8/1990	Solomon et al.	
5,066,078 A	11/1991	Wurst	
D343,074 S	1/1994	Whiteaker et al.	
D343,972 S	2/1994	Pauer et al.	
5,331,905 A	7/1994	Hammers et al.	
D349,618 S	8/1994	Barfield	
D352,180 S	11/1994	Collings	
D360,546 S	7/1995	Gibson	
D371,682 S	7/1996	Collings	
D373,265 S	9/1996	Horvath	
D374,140 S *	10/1996	Paus	D6/488
D380,318 S	7/1997	Horvath	
D382,148 S	8/1997	Welke et al.	
D386,018 S	11/1997	Tosto, Jr.	
D390,047 S	2/1998	Cambra	
D391,787 S	3/1998	Horvath	
D396,766 S	8/1998	Saban	
5,908,132 A	6/1999	Pigeon	

D422,810 S *	4/2000	Rasp	D6/480
D425,729 S	5/2000	Manzak	
D432,802 S	10/2000	Taylor et al.	
D436,757 S	1/2001	Hutton	
D436,766 S	1/2001	Al-Darraj	
D437,504 S *	2/2001	Giron	D6/397
D443,443 S	6/2001	Welke	
D445,268 S	7/2001	Taylor et al.	
D455,294 S	4/2002	Jeup	
D465,675 S	11/2002	Bloch et al.	
D466,726 S	12/2002	Heil	
D487,659 S *	3/2004	Kerr	D6/511
D488,336 S	4/2004	Kerr	
D489,201 S *	5/2004	Stanton	D6/484
D503,555 S	4/2005	Hightower	
D529,731 S	10/2006	McCabe	

(Continued)

FOREIGN PATENT DOCUMENTS

EP 0857440 A1 8/1998

(Continued)

Primary Examiner—Janice E Seeger
(74) *Attorney, Agent, or Firm*—McNees Wallace & Nurick,
LLC

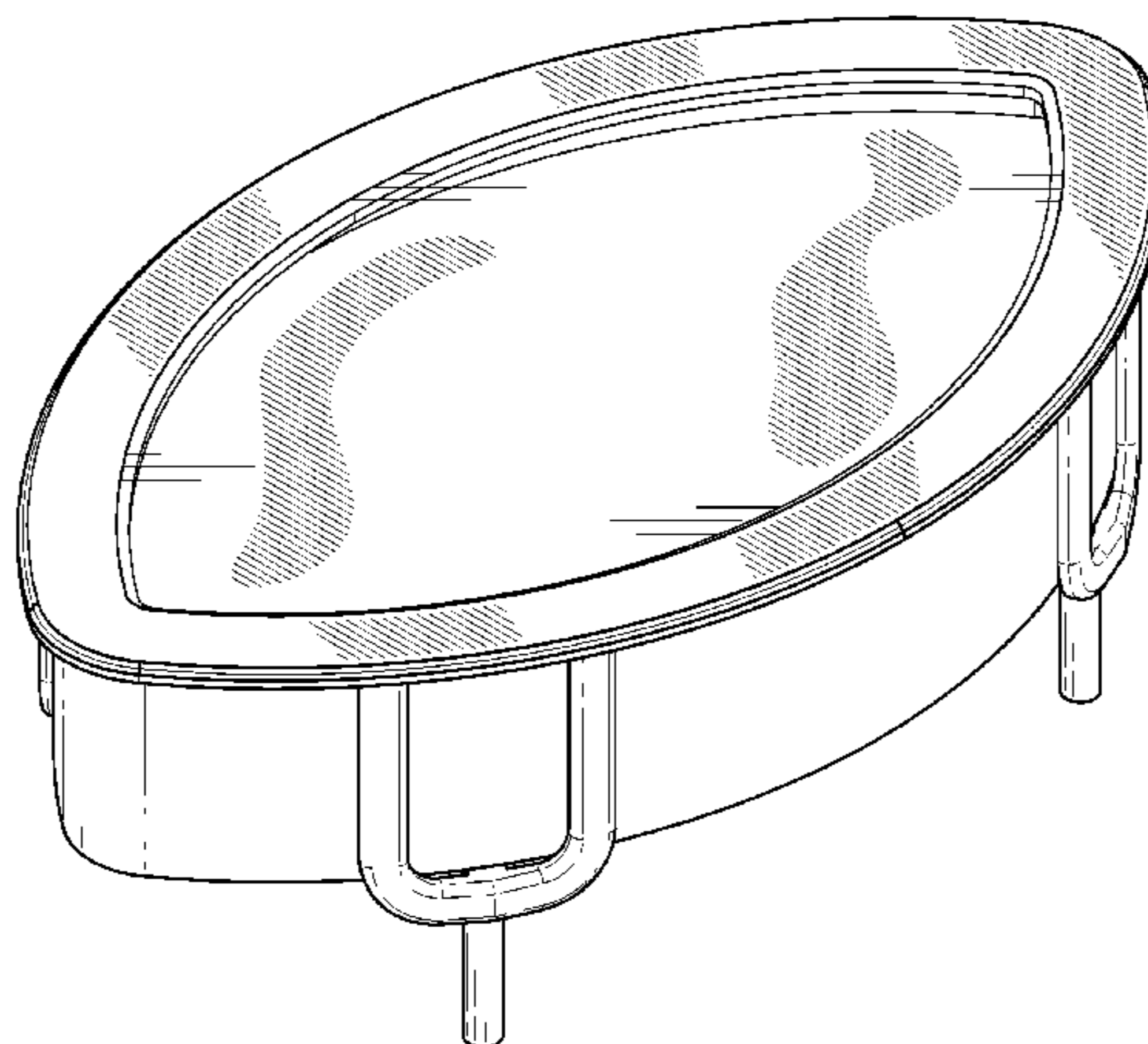
(57) **CLAIM**

The ornamental design for a baseball themed table, as shown
and described.

DESCRIPTION

FIG. 1 is a perspective view of a football themed table;
FIG. 2 is a top view thereof;
FIG. 3 is a bottom view thereof;
FIG. 4 is a first side view thereof; and,
FIG. 5 is a second side view thereof.

1 Claim, 3 Drawing Sheets



US D623,438 S

Page 2

U.S. PATENT DOCUMENTS

D572,040 S 7/2008 D'Onofrio
D577,514 S 9/2008 Dimauro
7,578,507 B2* 8/2009 Slappay 273/309
2003/0071545 A1 4/2003 Fink
2006/0000393 A1 1/2006 Ka'ahumanu

2006/0169184 A1 8/2006 Funkhouser

FOREIGN PATENT DOCUMENTS

JP 2006141965 6/2006

* cited by examiner

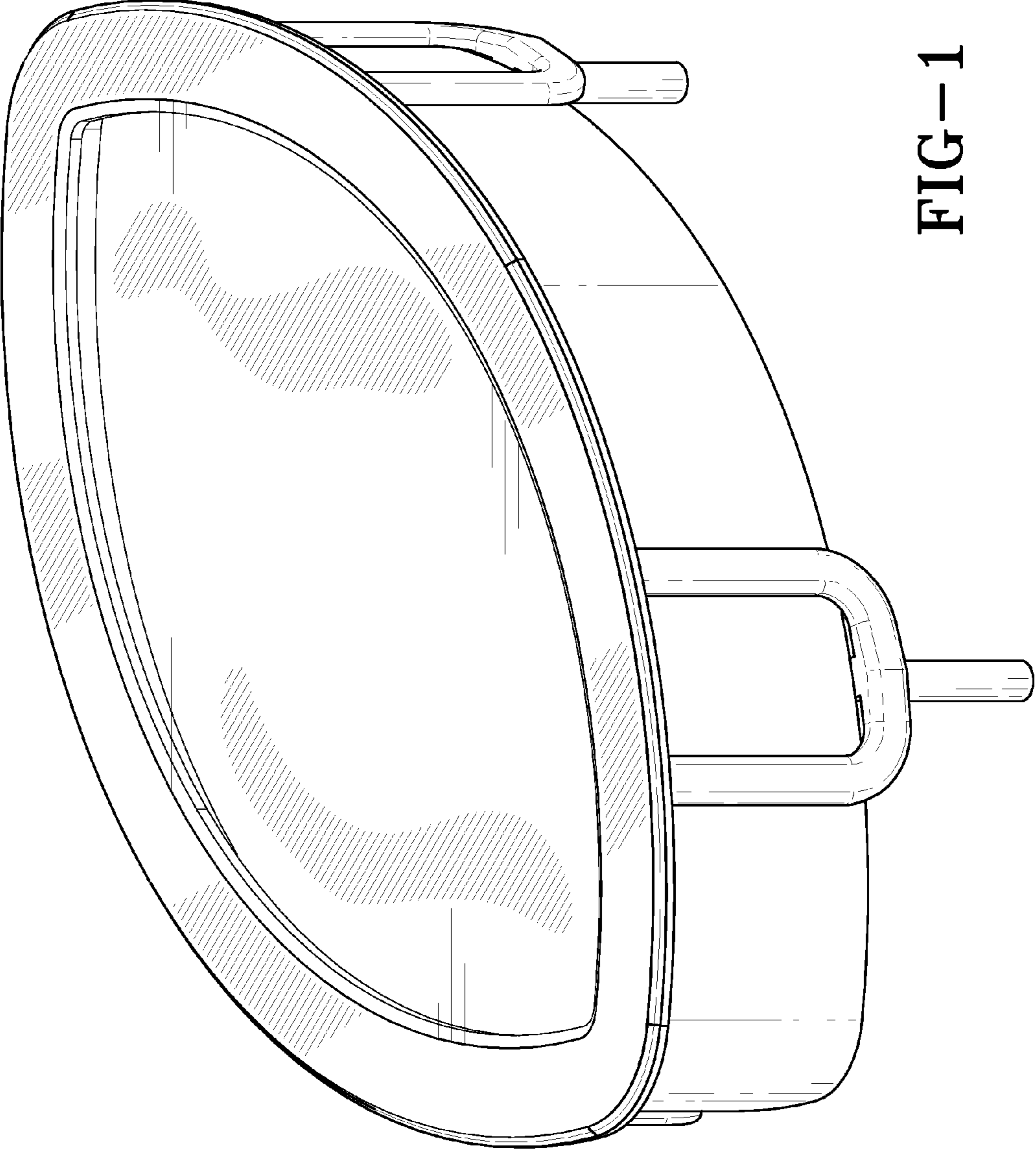


FIG-1

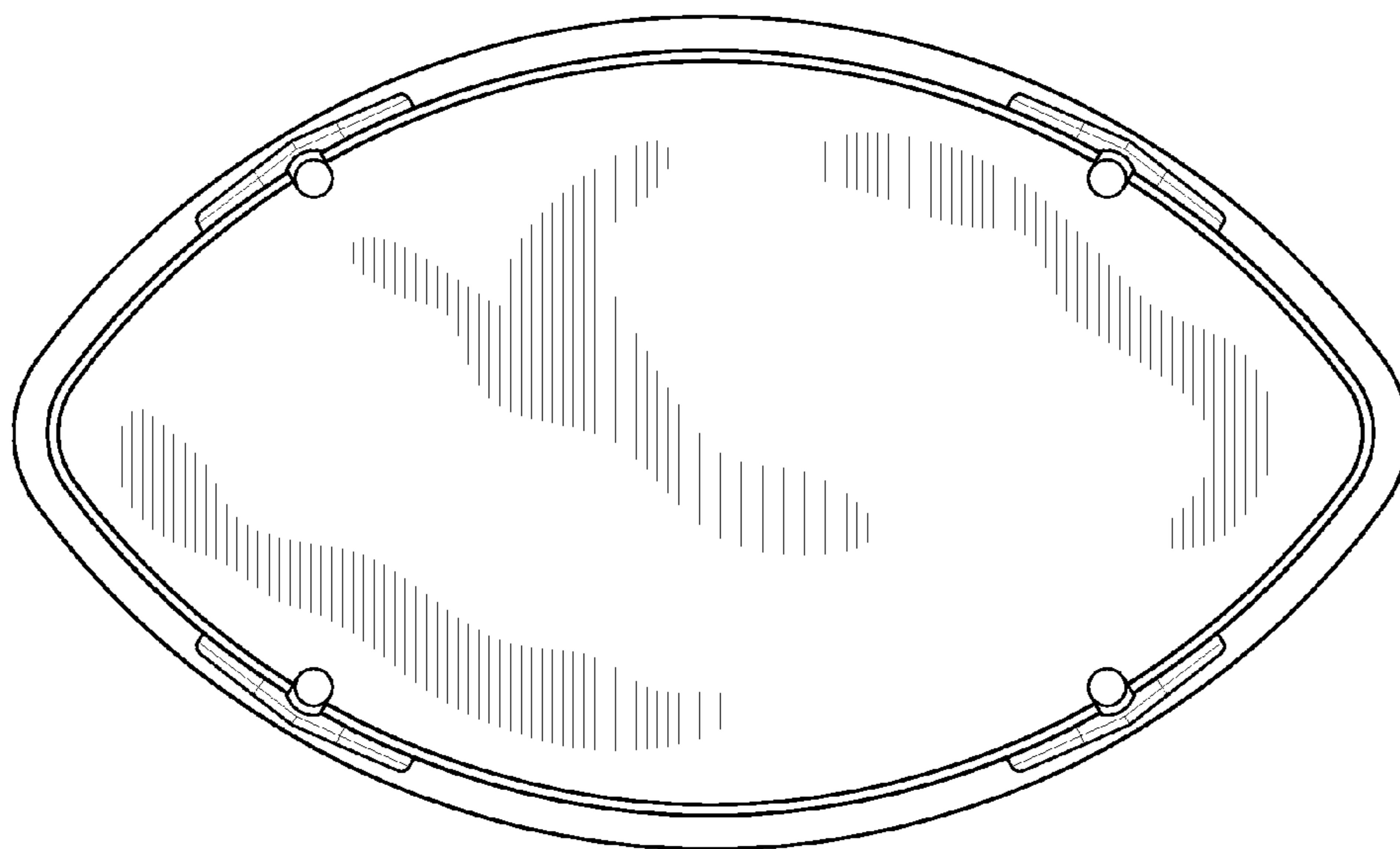


FIG-3

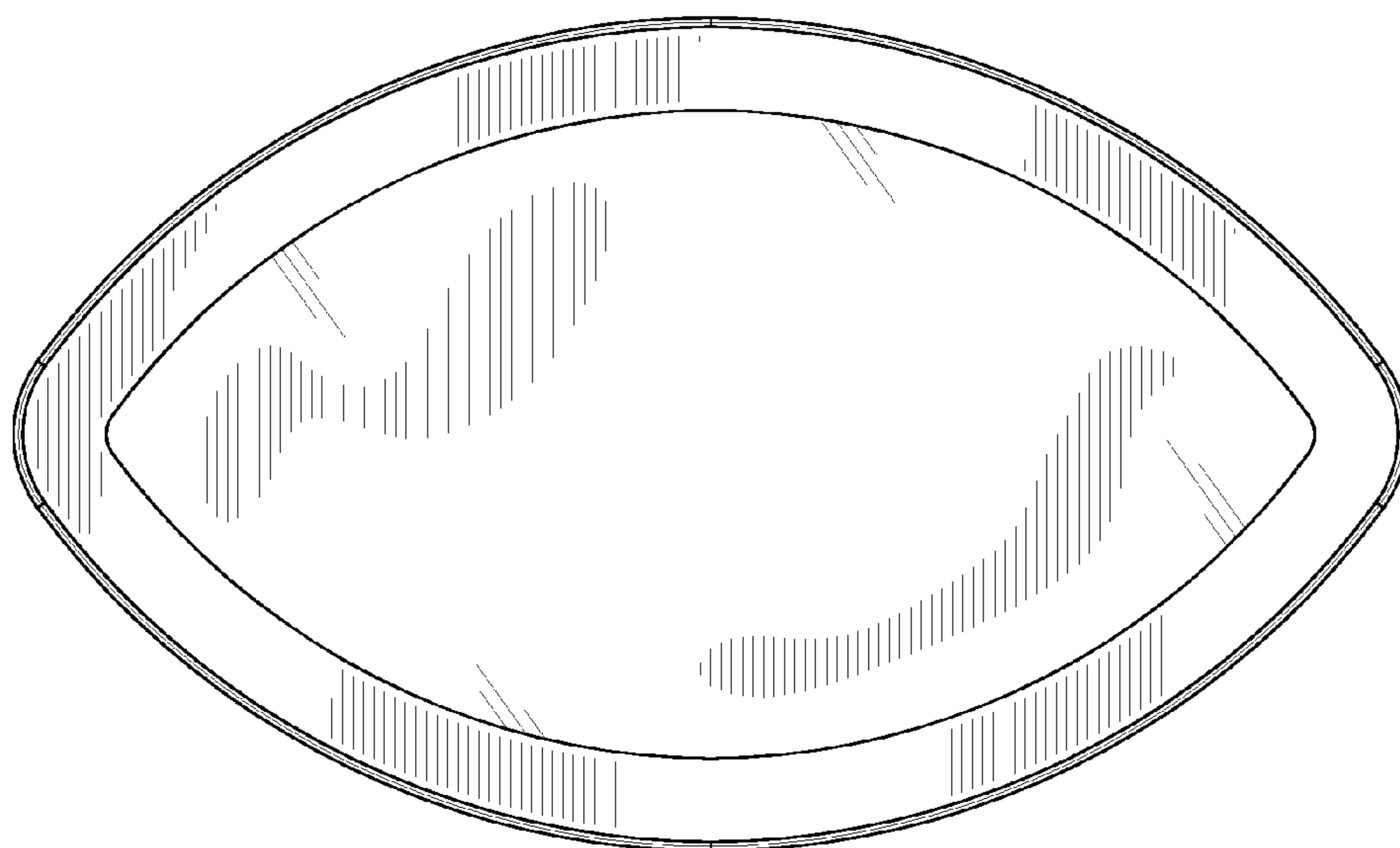


FIG-2

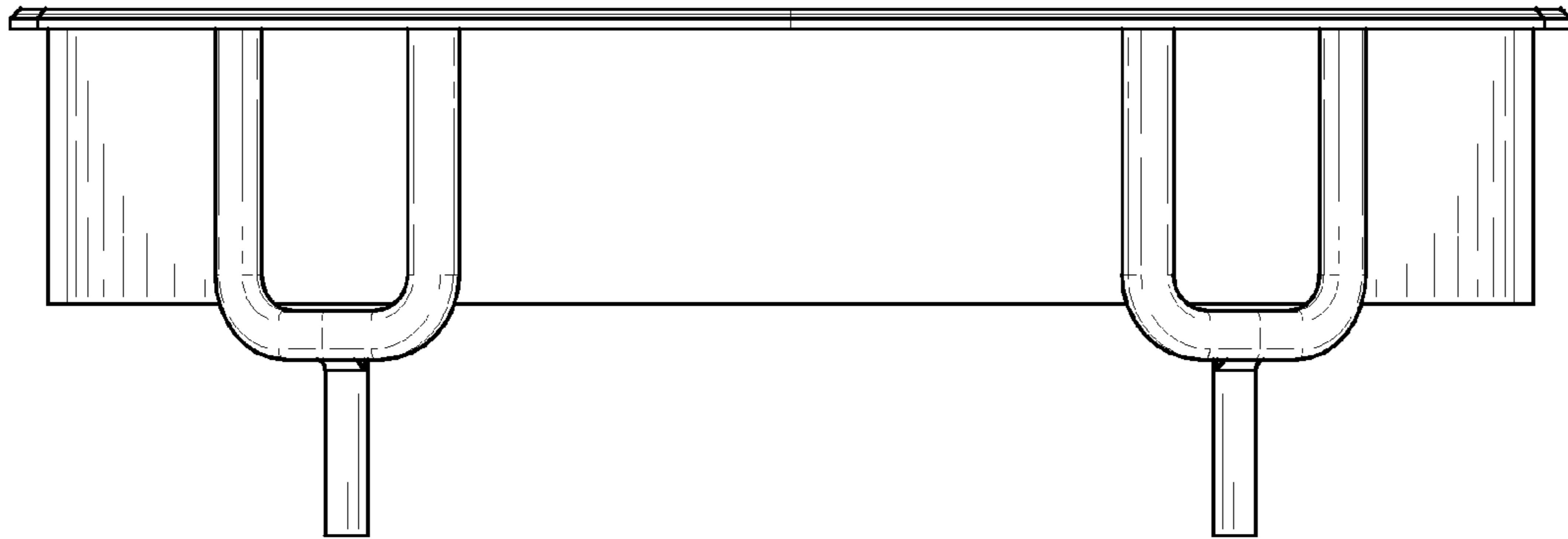


FIG-4

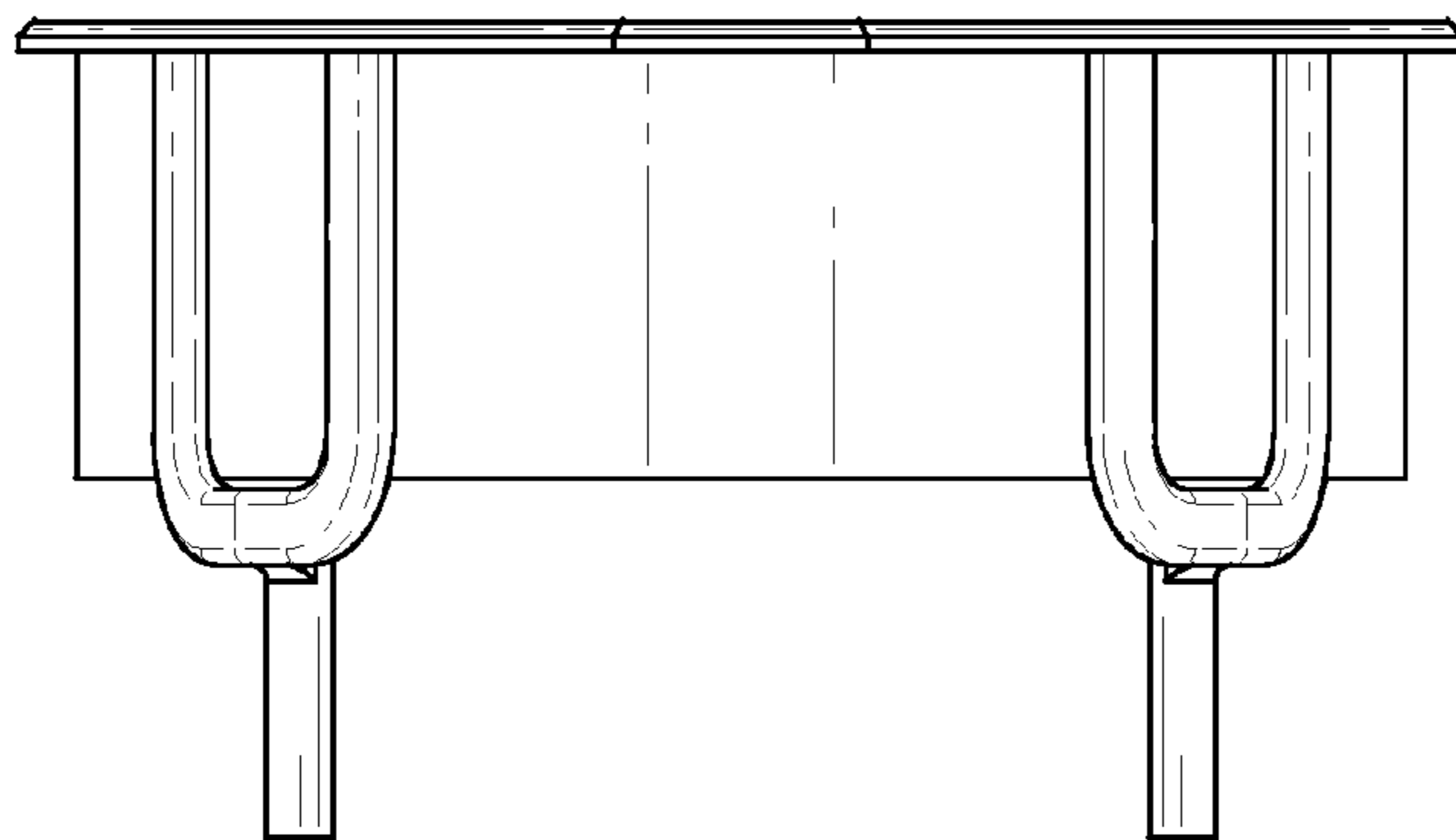


FIG-5