



US00D623429S

(12) **United States Design Patent**
Plested et al.

(10) **Patent No.:** **US D623,429 S**
(45) **Date of Patent:** **** Sep. 14, 2010**

(54) **HIGH CHAIR**

DESCRIPTION

(75) Inventors: **Nigel Jason Plested**, London (GB);
Richard Lee Shaw, Middleton (GB)

(73) Assignee: **Mamas & Papas (Holding) Ltd.**,
Huddersfield (GB)

(**) Term: **14 Years**

(21) Appl. No.: **29/306,838**

(22) Filed: **Apr. 17, 2008**

(30) **Foreign Application Priority Data**

Oct. 22, 2007 (EM) 000812771

(51) **LOC (9) Cl.** **06-01**

(52) **U.S. Cl.** **D6/339**

(58) **Field of Classification Search** D6/333,
D6/335, 339, 491, 500-502; D12/129; D21/412,
D21/419; 280/30, 31; 5/94, 98.1, 99.1, 101,
5/102, 105, 655; 297/183.1, 183.2, 183.3,
297/183.4, 184.13, 184.15, 184.17, 250.1,
297/255, 256.1, 256.15, 256.16; 24/200,
24/211

See application file for complete search history.

(56) **References Cited**

U.S. PATENT DOCUMENTS

7,185,949 B2 3/2007 Finell
D580,829 S * 11/2008 Jacobs D12/129
D581,323 S * 11/2008 Toussaint D12/129
D583,719 S * 12/2008 Siewertsen D12/129
2007/0194609 A1 * 8/2007 Chen 297/16.1

* cited by examiner

Primary Examiner—Sandra Snapp

(74) *Attorney, Agent, or Firm*—Gordon & Jacobson, PC

(57) **CLAIM**

The ornamental design for a high chair, as shown and described.

FIG. 1 is a top view of a first embodiment of an ornamental design for a high chair.

FIG. 2 is a perspective view of the first embodiment of an ornamental design for a high chair.

FIG. 3 is front top view of the first embodiment of an ornamental design for a high chair.

FIG. 4 is a side view of the first embodiment of an ornamental design for a high chair.

FIG. 5 is a top view of a second embodiment of an ornamental design for a high chair.

FIG. 6 is a perspective view of the second embodiment of an ornamental design for a high chair.

FIG. 7 is front top view of the second embodiment of an ornamental design for a high chair.

FIG. 8 is a side view of the second embodiment of an ornamental design for a high chair.

FIG. 9 is a top view of a third embodiment of an ornamental design for a high chair.

FIG. 10 is a perspective view of the third embodiment of an ornamental design for a high chair.

FIG. 11 is front top view of the third embodiment of an ornamental design for a high chair.

FIG. 12 is a side view of the third embodiment of an ornamental design for a high chair.

FIG. 13 is a top view of a fourth embodiment of an ornamental design for a high chair.

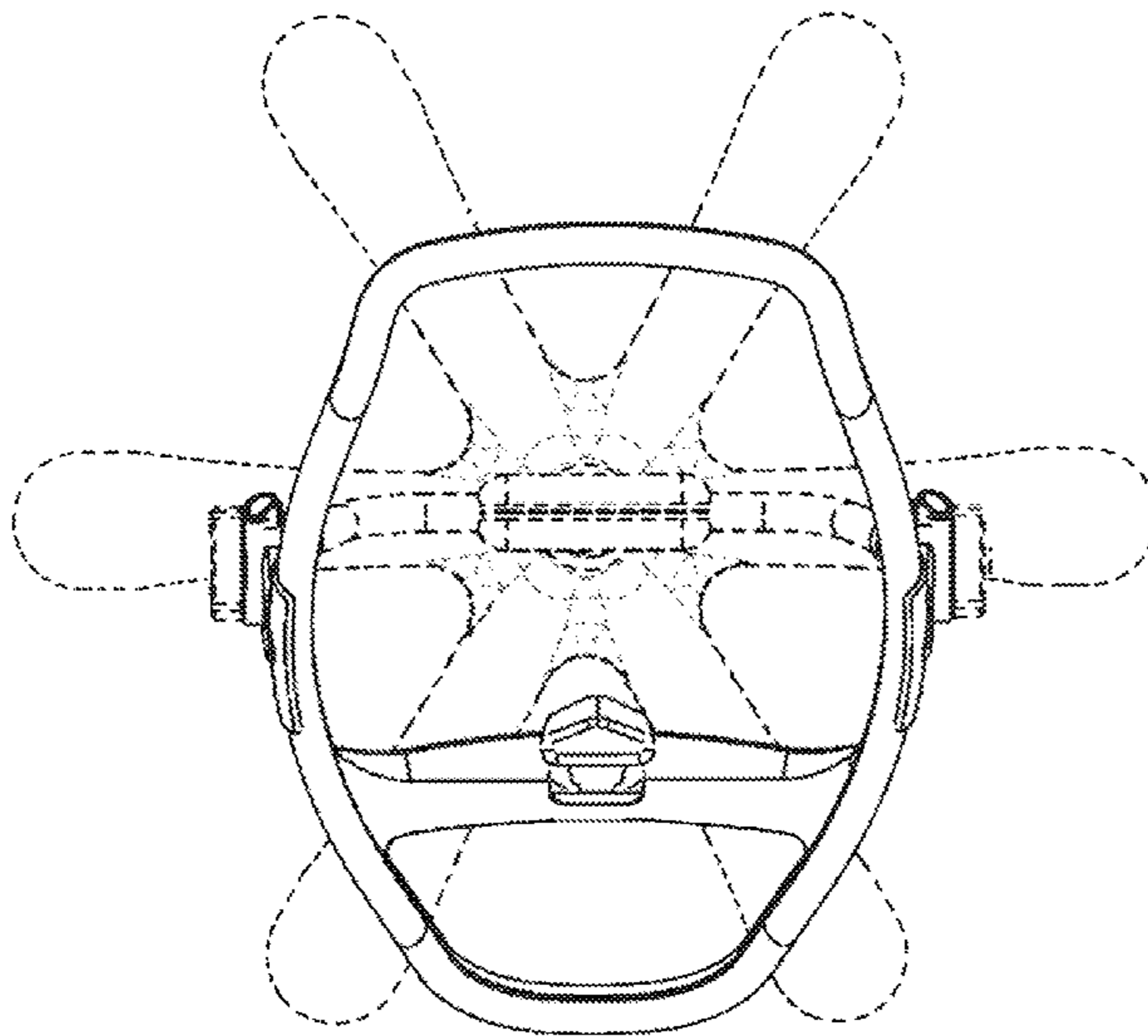
FIG. 14 is a perspective view of the fourth embodiment of an ornamental design for a high chair.

FIG. 15 is front top view of the fourth embodiment of an ornamental design for a high chair; and,

FIG. 16 is a side view of the fourth embodiment of an ornamental design for a high chair.

The broken lines shown in the figures form no part of the claimed design.

1 Claim, 16 Drawing Sheets



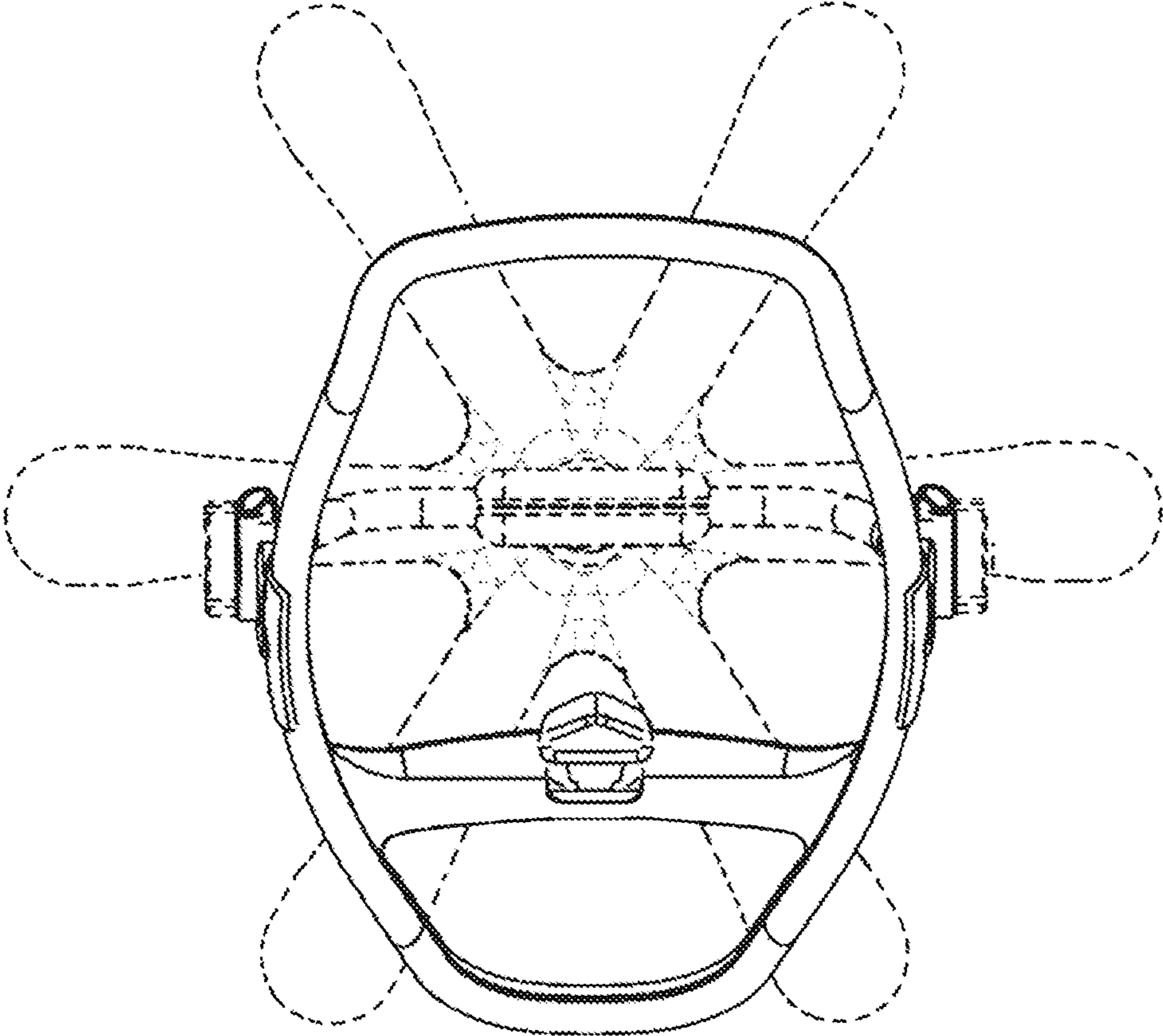


FIG. 1

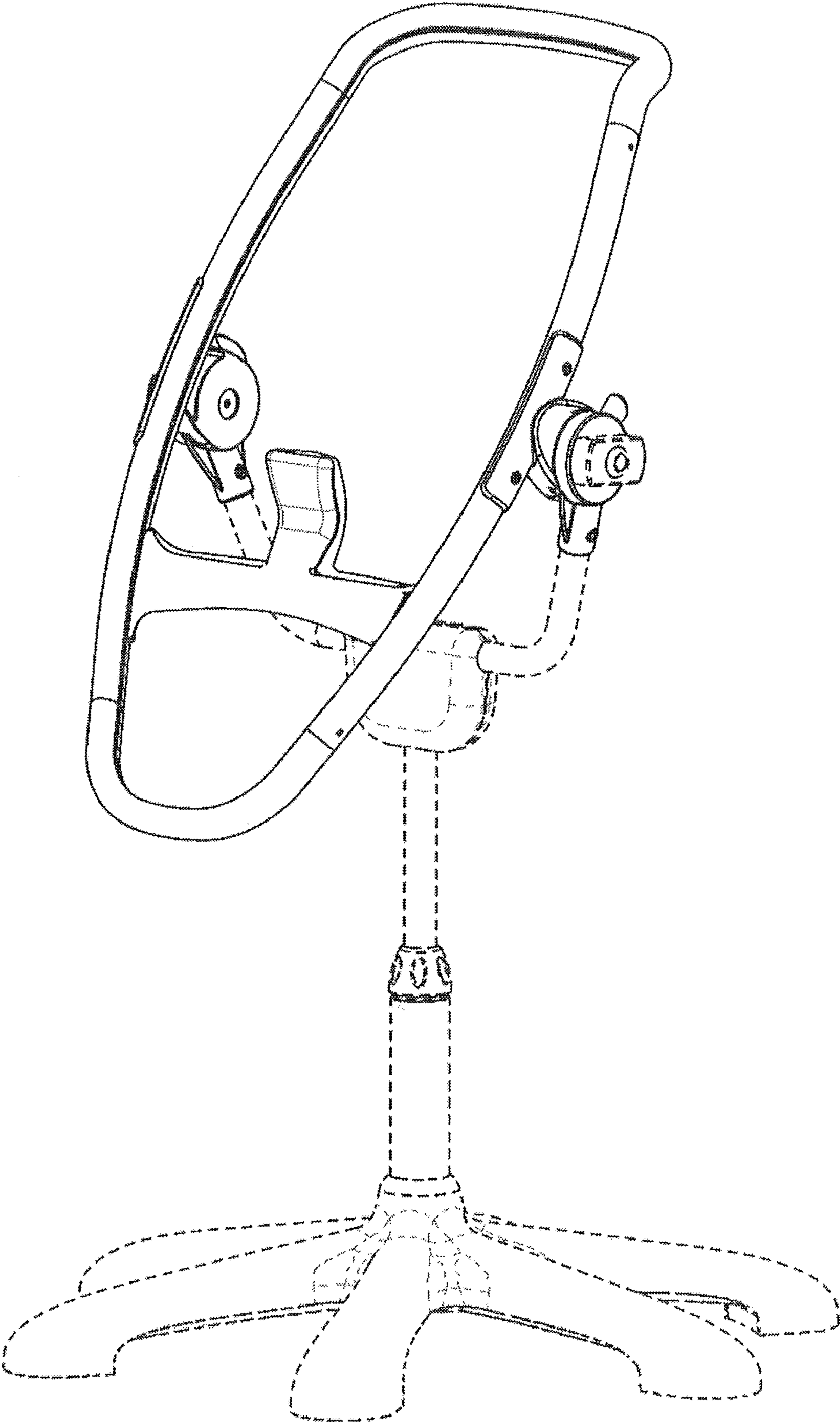


FIG. 2

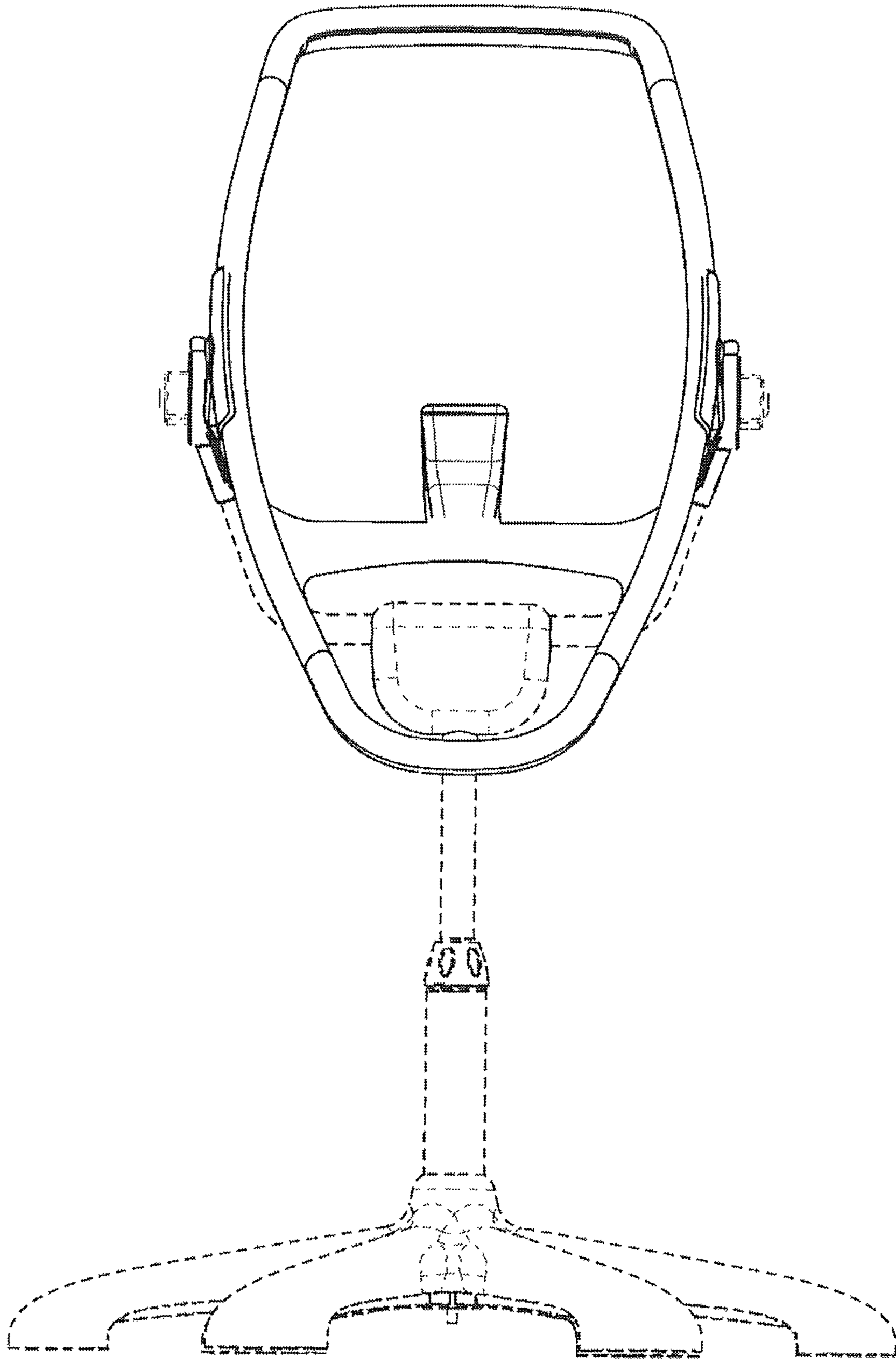


FIG. 3

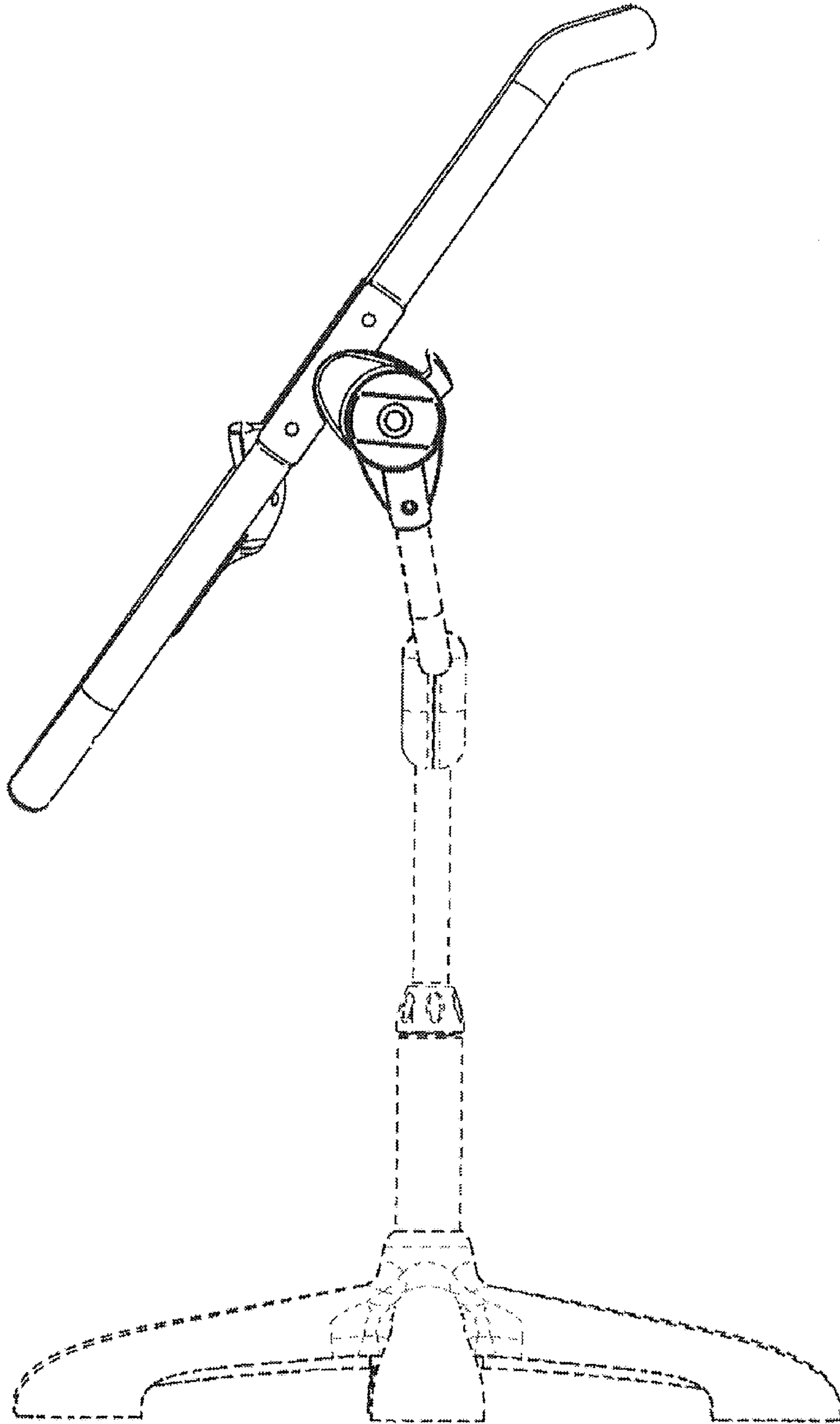


FIG. 4

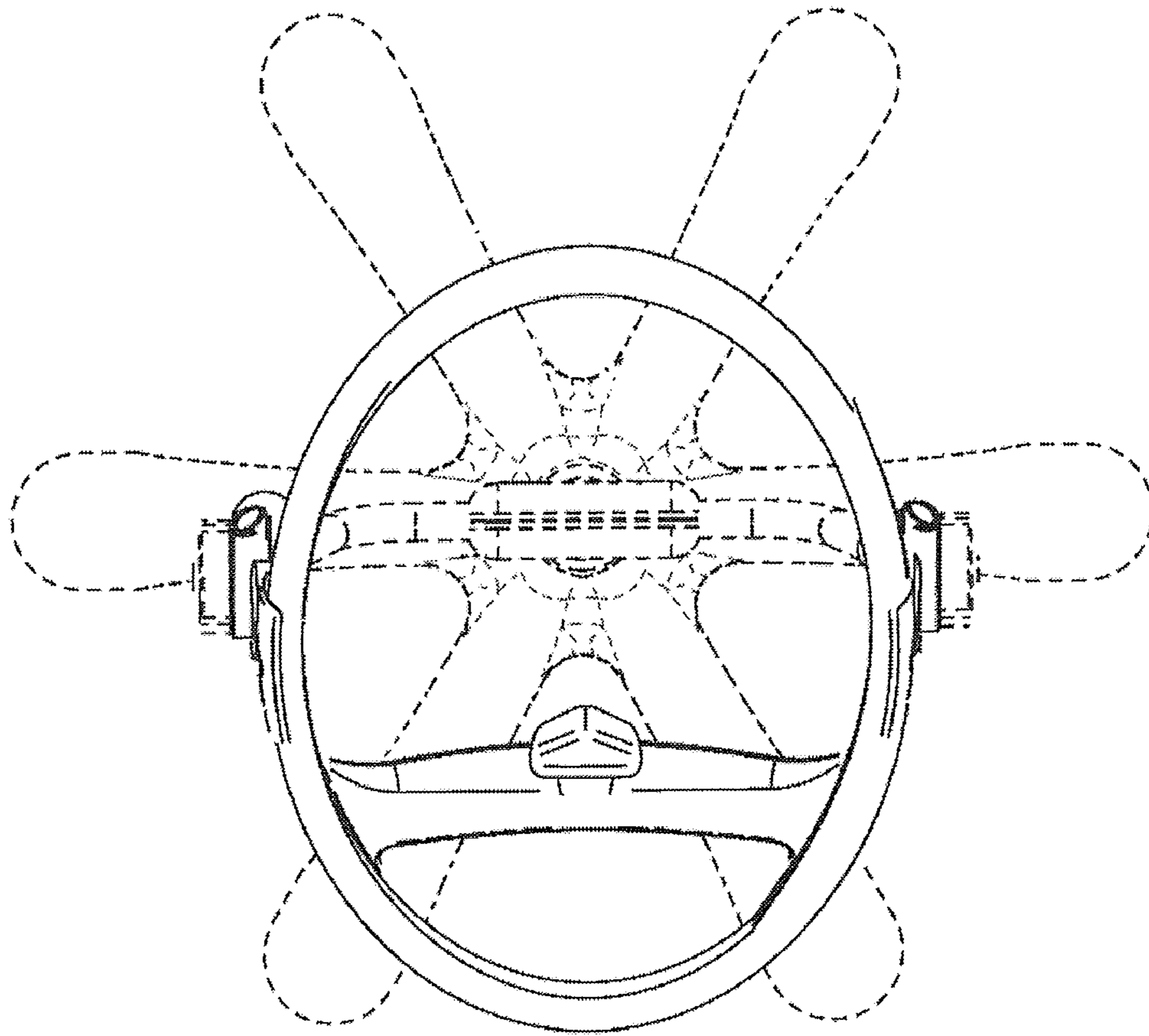


FIG. 5

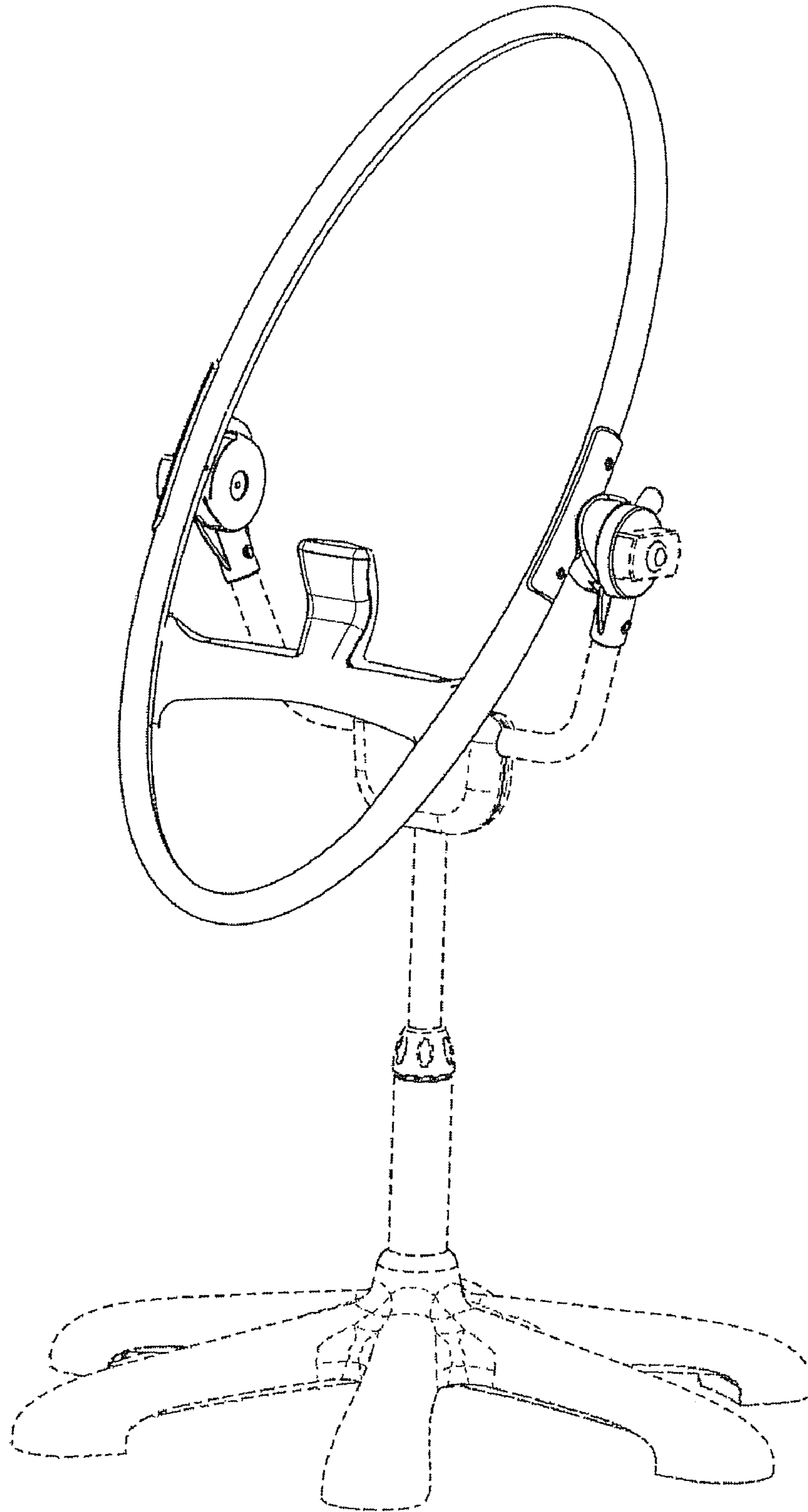


FIG. 6

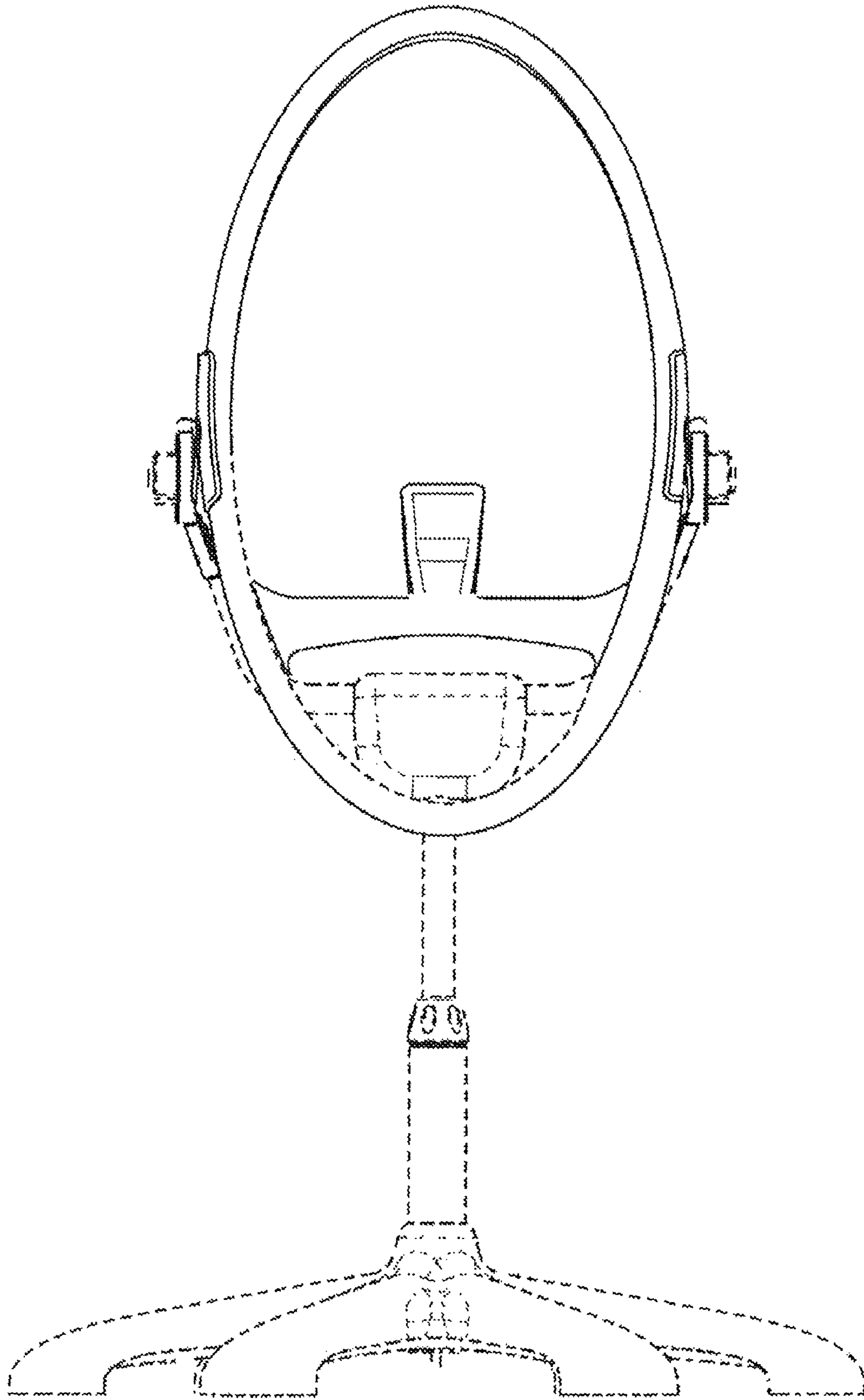


FIG. 7

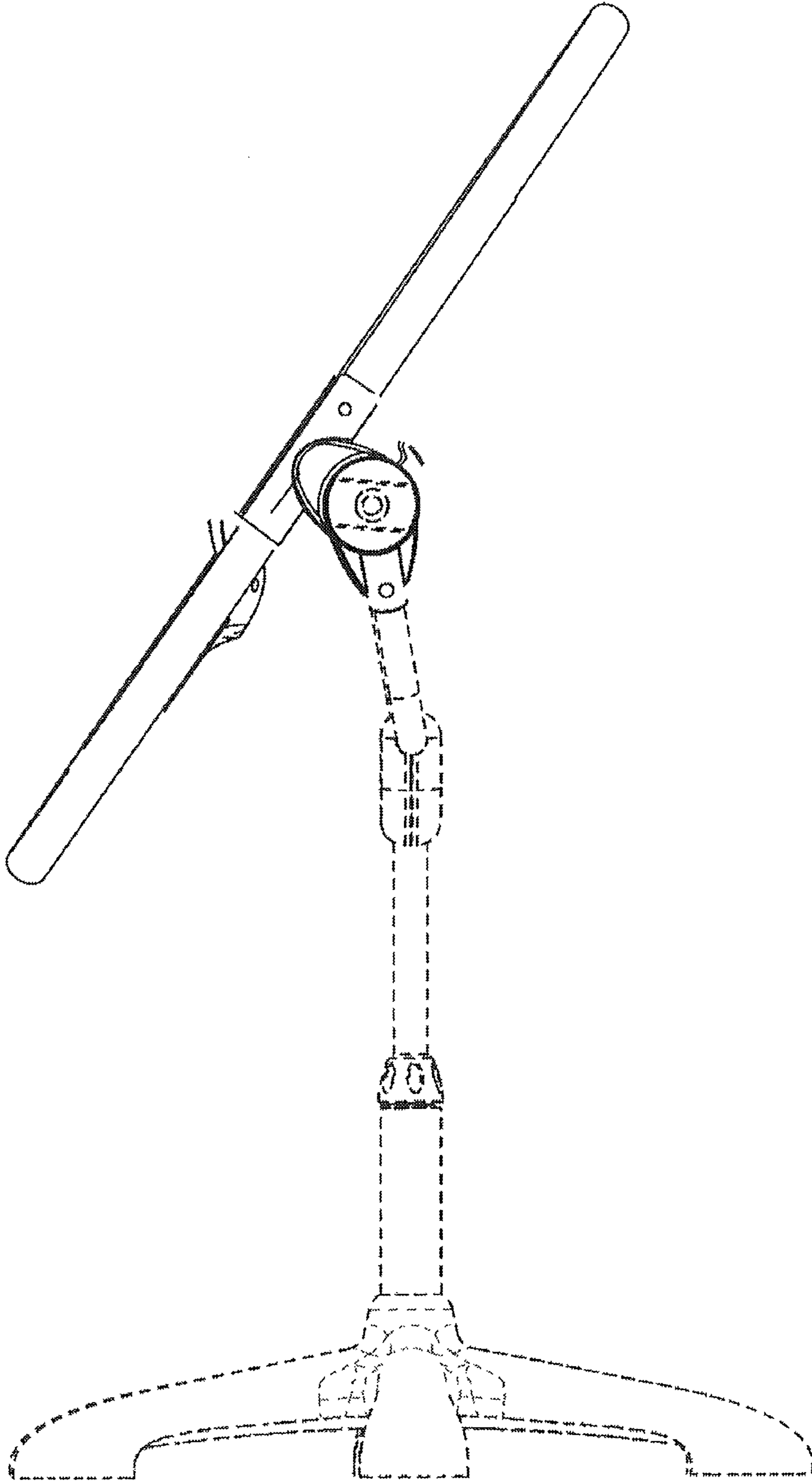


FIG. 8

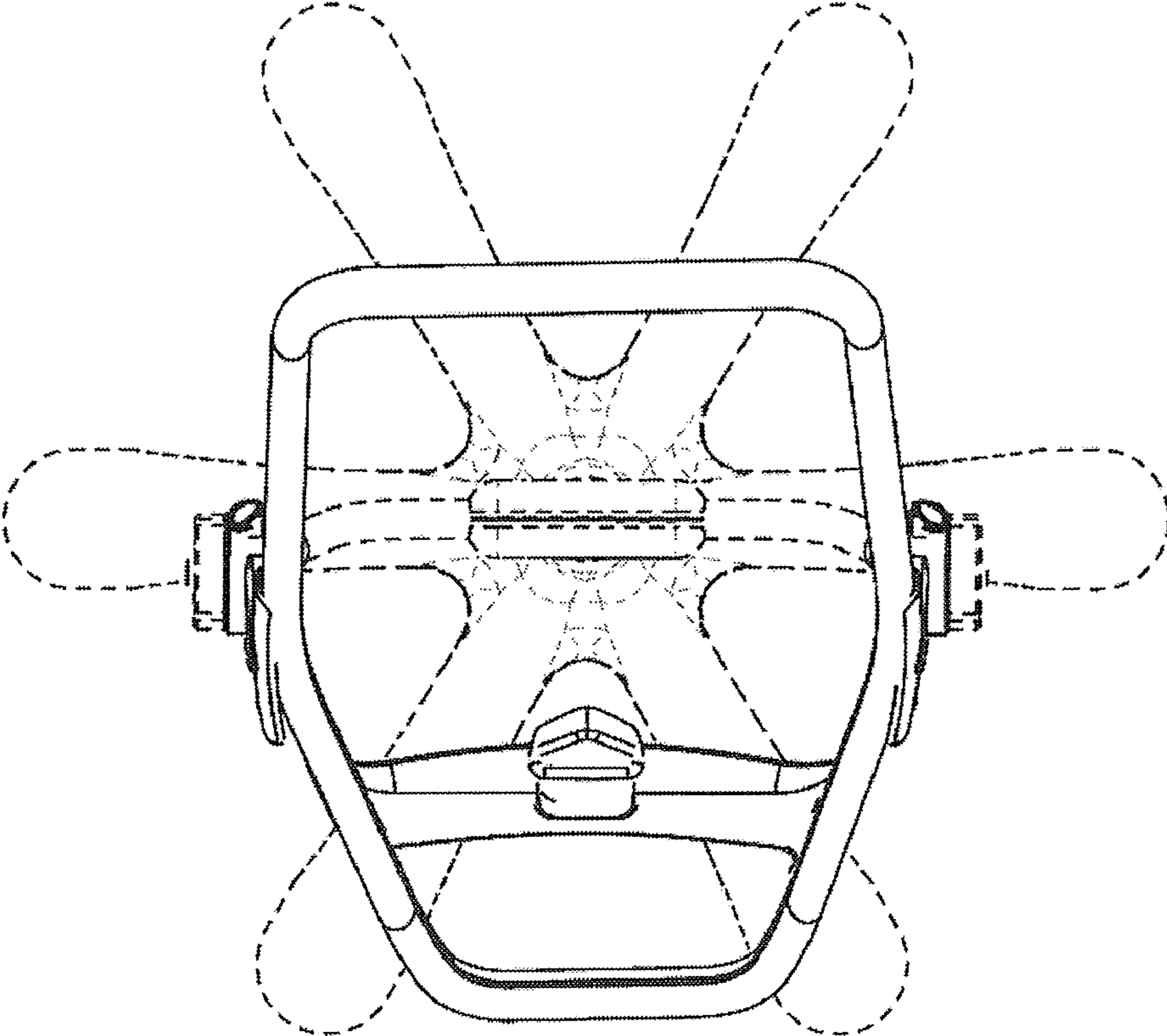


FIG. 9

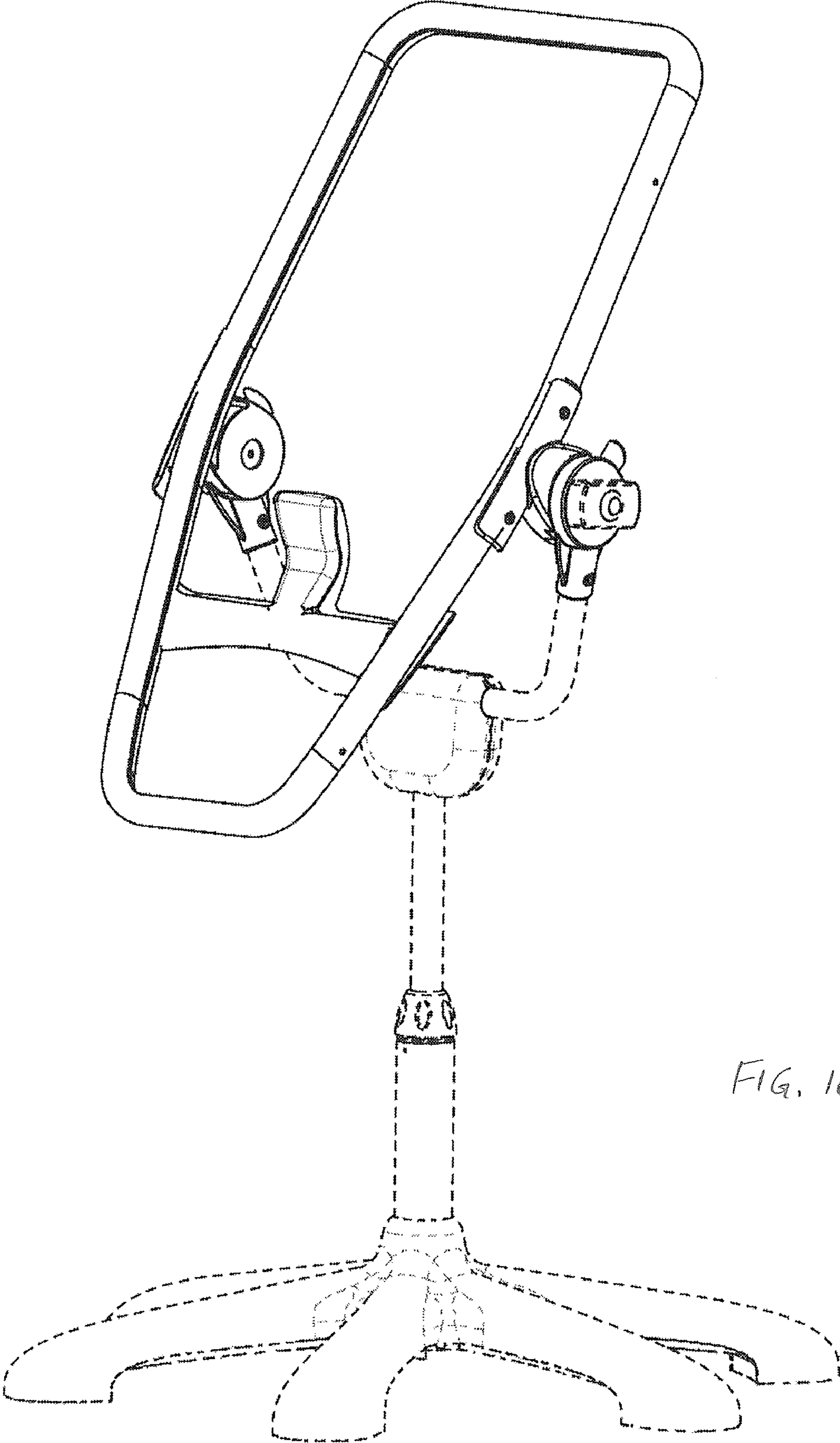


FIG. 10

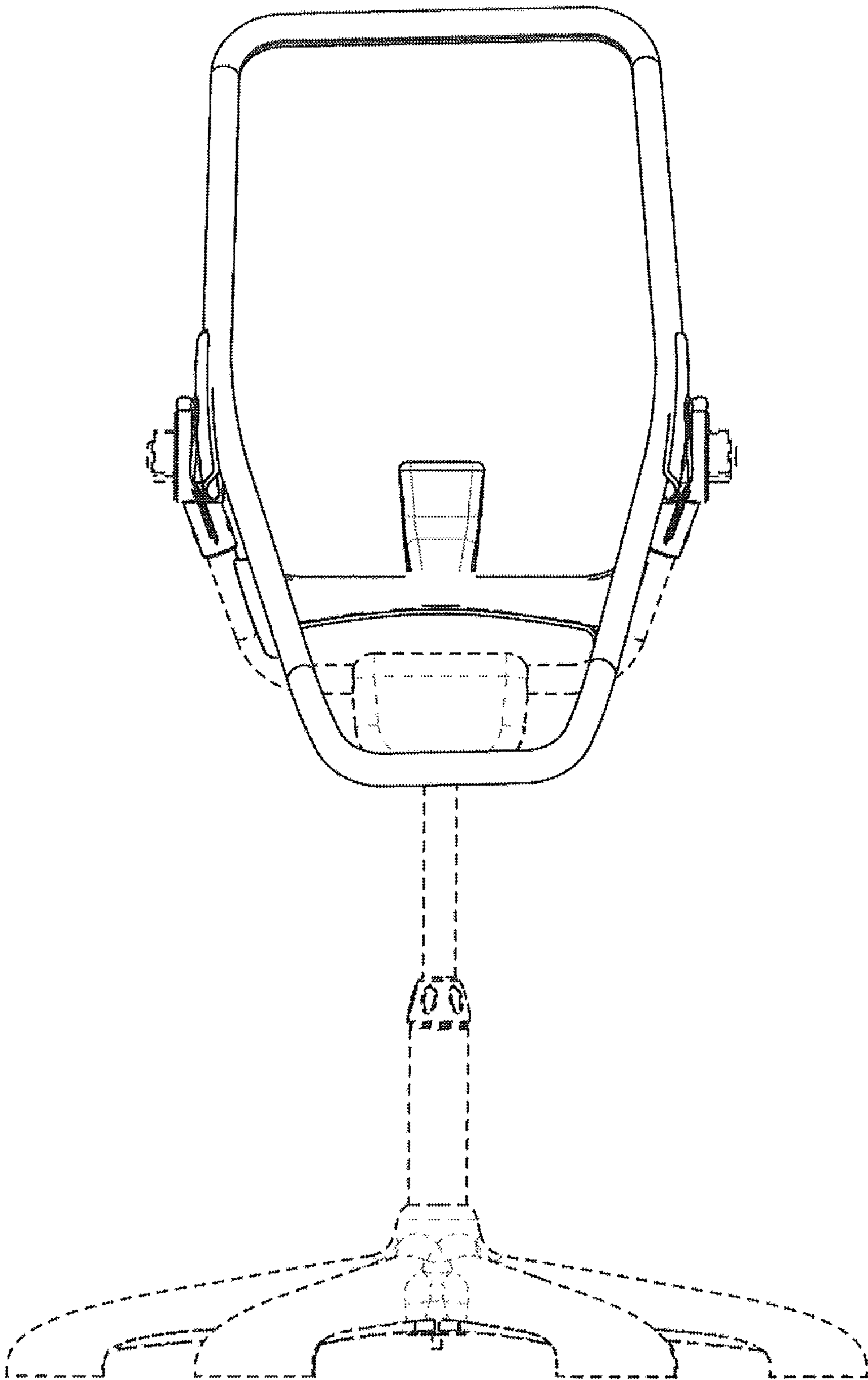


FIG. 11

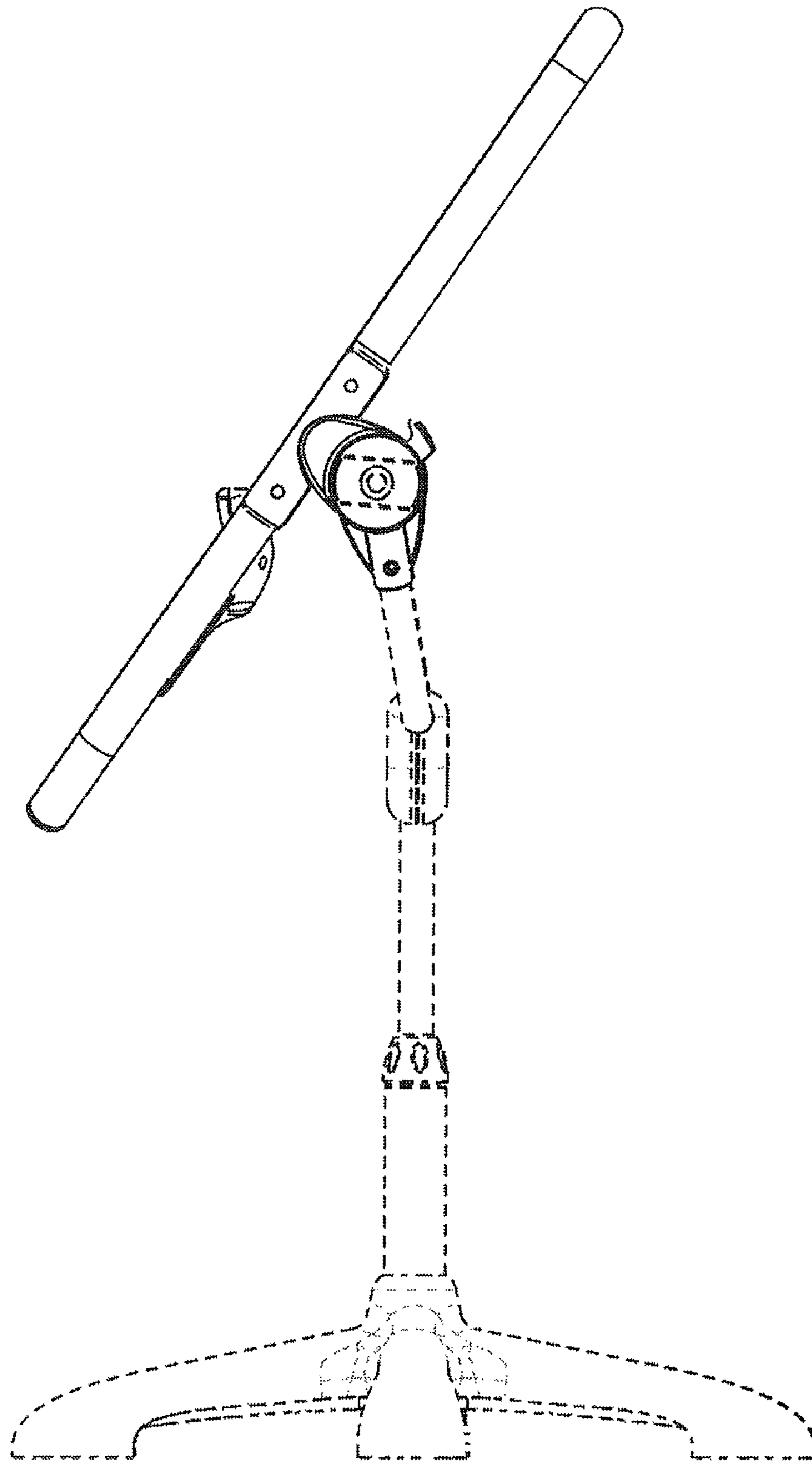


FIG. 12

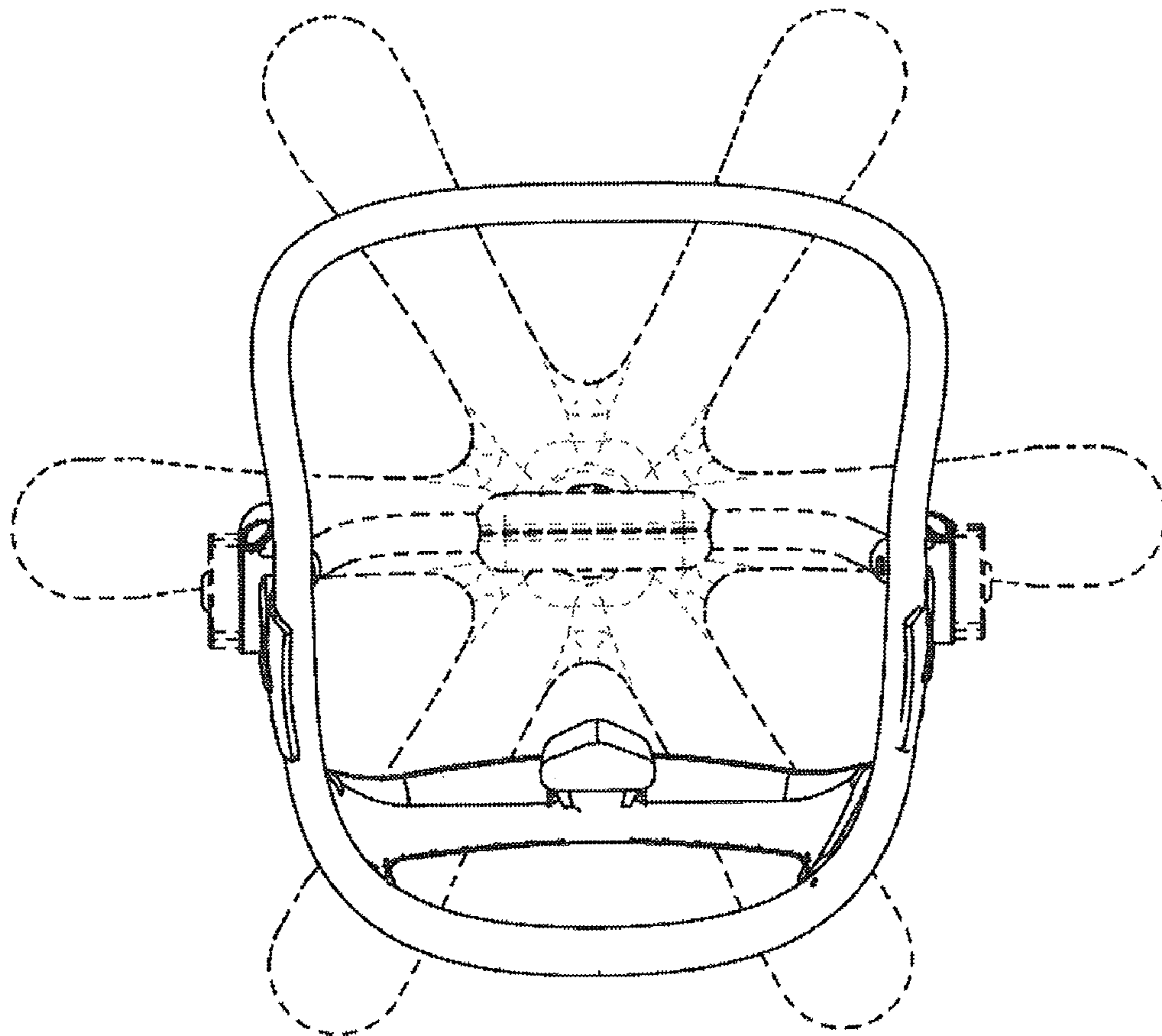


FIG. 13

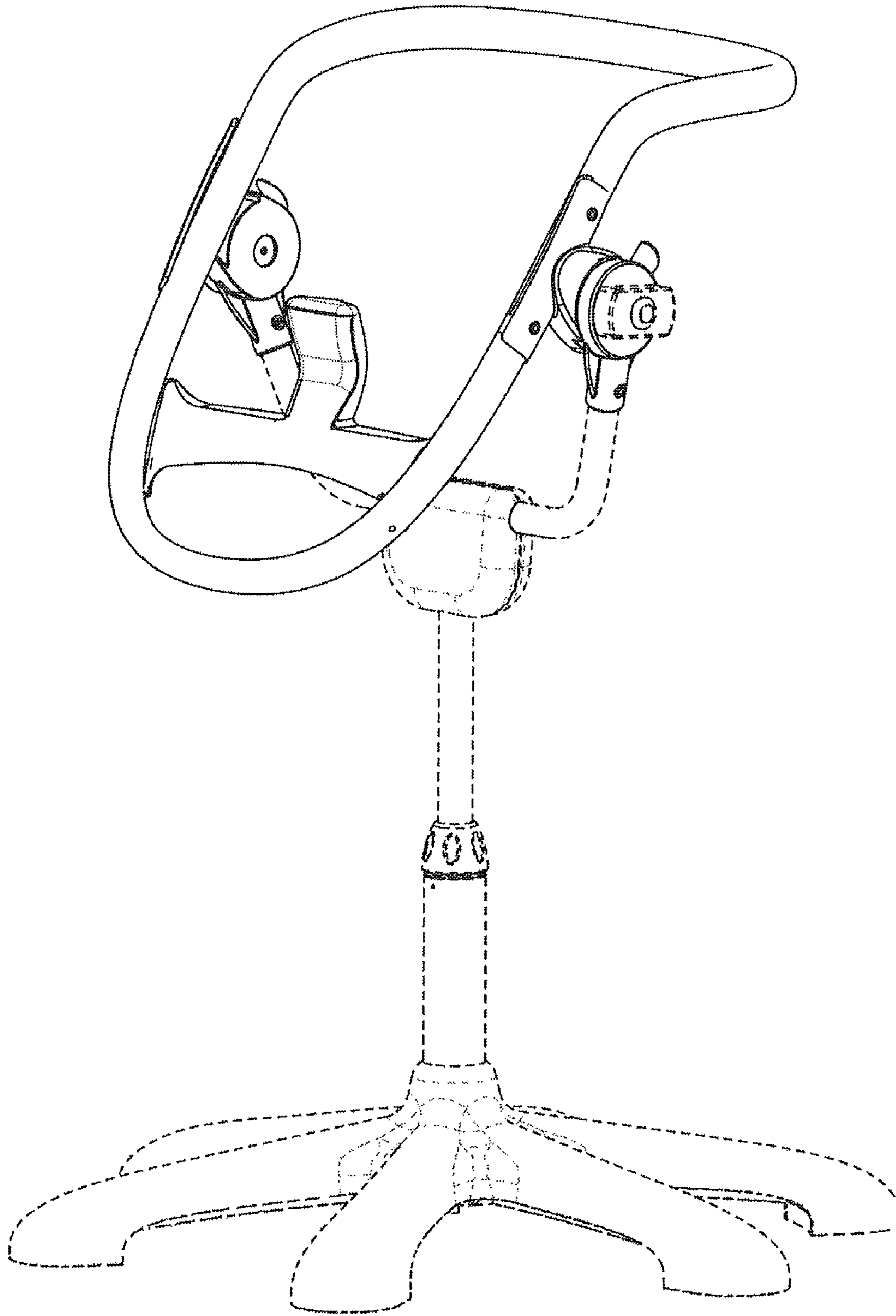


FIG. 14

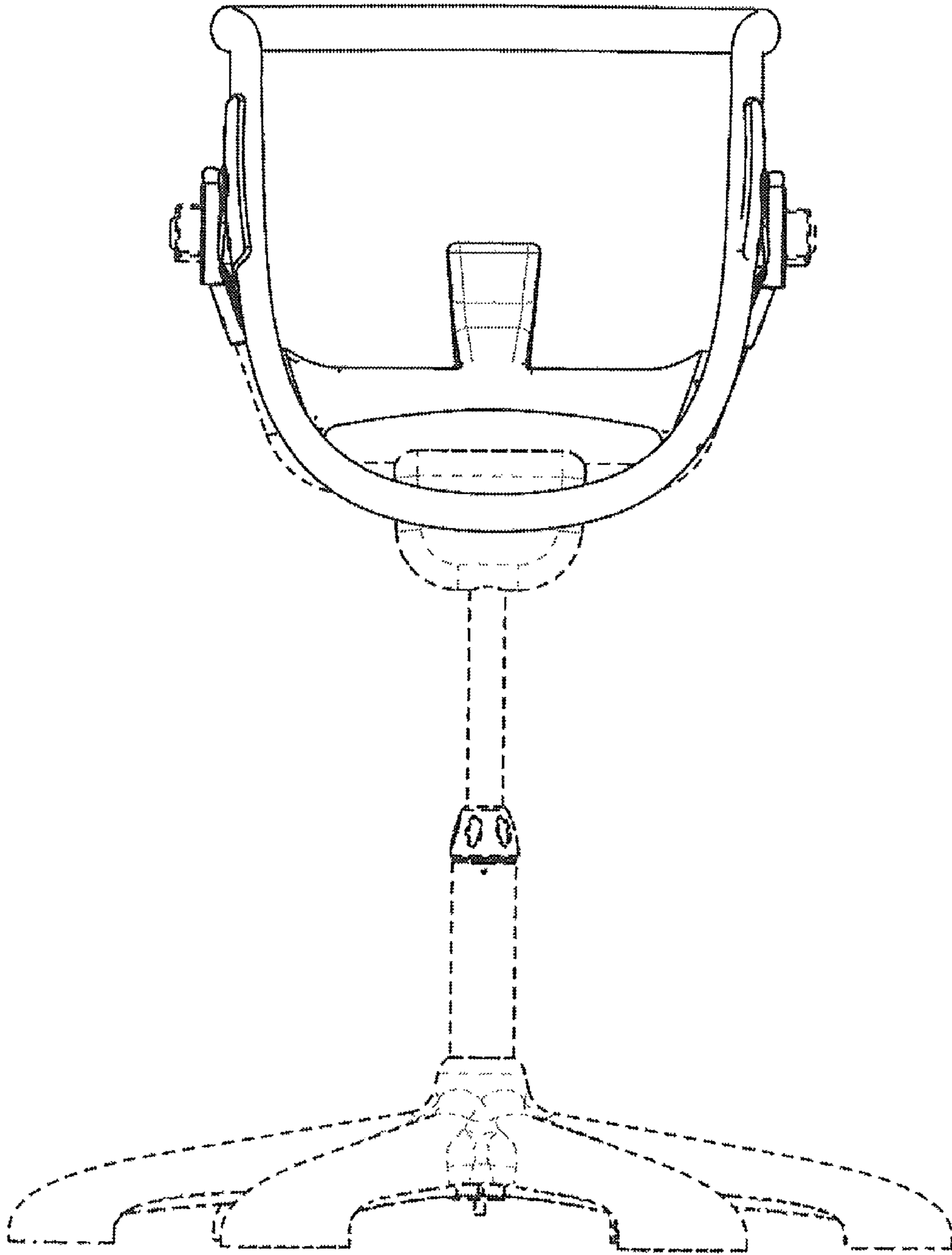


FIG. 15

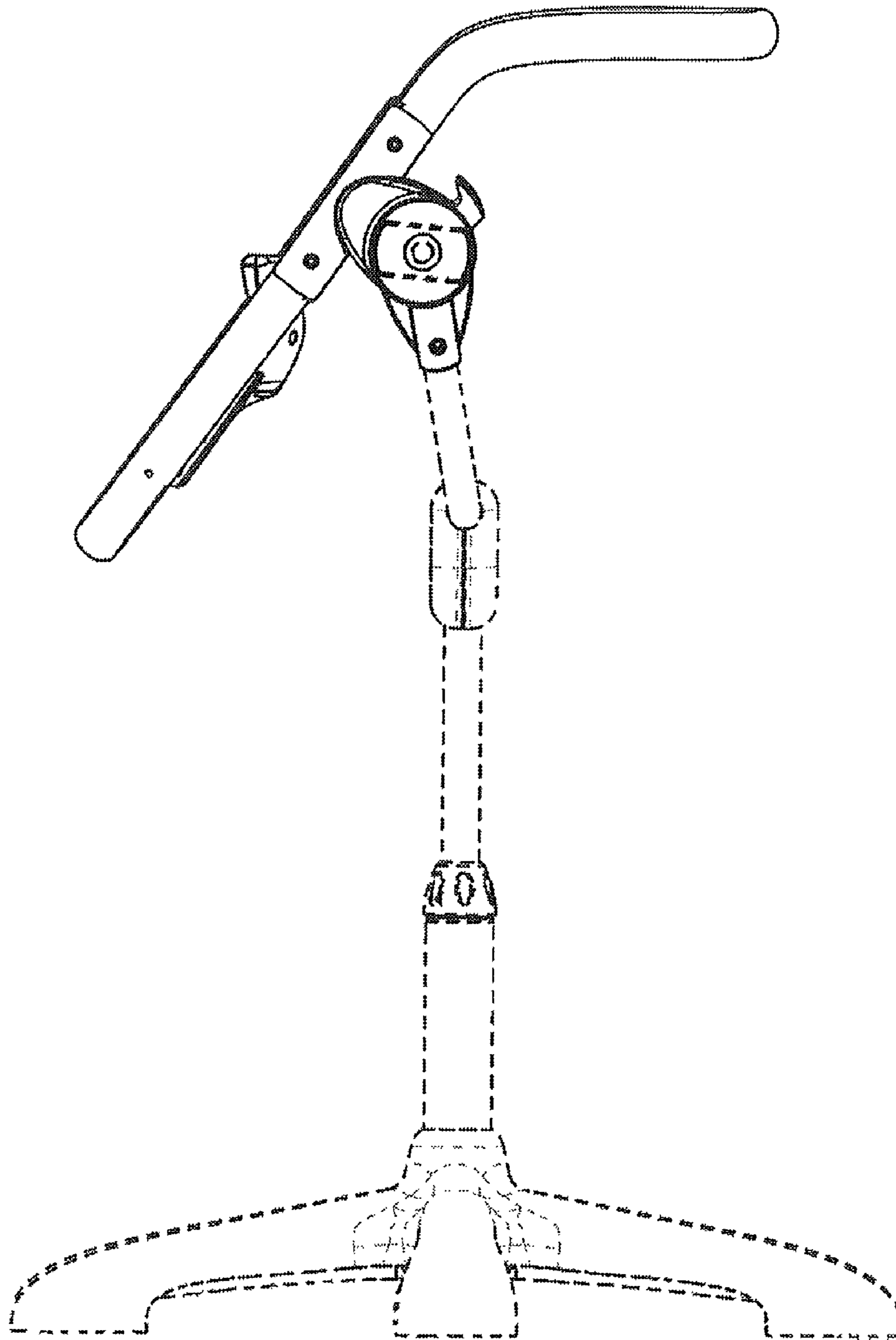


FIG. 16