



US00D623426S

(12) **United States Design Patent**  
**Ramer et al.**

(10) **Patent No.:** **US D623,426 S**

(45) **Date of Patent:** **\*\* Sep. 14, 2010**

(54) **INFANT SUPPORT DEVICE**

(76) Inventors: **Kevin Ramer**, 668 Millard Street,  
Stouffville, Ontario (CA) L4A 0B2;  
**Gabriela Ramer**, 668 Millard Street,  
Stouffville, Ontario (CA) L4A 0B2

(\*\*) Term: **14 Years**

(21) Appl. No.: **29/342,227**

(22) Filed: **Aug. 20, 2009**

(51) **LOC (9) Cl.** ..... **06-01**

(52) **U.S. Cl.** ..... **D6/333**

(58) **Field of Classification Search** ..... D6/333,  
D6/335, 339, 491, 500-502; D12/129; D21/412,  
D21/419; 280/30, 31; 5/94, 98.1, 99.1, 101,  
5/102, 105, 655; 297/183.1, 183.2, 183.3,  
297/183.4, 184.13, 184.15, 184.17, 250.1,  
297/255, 256.1, 256.15, 256.16; 24/200,  
24/211

See application file for complete search history.

(56) **References Cited**

**U.S. PATENT DOCUMENTS**

D262,242 S *	12/1981	Molnar	.....	D6/333
D272,692 S *	2/1984	Hallgren	.....	D6/333
D276,098 S *	10/1984	Cone	.....	D6/333
D276,099 S *	10/1984	Cone	.....	D6/333
D278,482 S *	4/1985	Takada	.....	D6/333
D360,307 S *	7/1995	Kain	.....	D6/333
D365,691 S *	1/1996	Sedlack	.....	D6/333
D376,917 S *	12/1996	Kain	.....	D6/333
D383,316 S *	9/1997	Kain	.....	D6/333
D385,116 S *	10/1997	Kiser et al.	.....	D6/333

D453,631 S *	2/2002	Kassai et al.	.....	D6/333
D461,646 S *	8/2002	Kain	.....	D6/333
D558,990 S *	1/2008	Glance	.....	D6/333
D560,375 S *	1/2008	Grohs	.....	D6/333
D592,865 S *	5/2009	Yeung	.....	D6/333
D600,027 S *	9/2009	Martin et al.	.....	D6/333

\* cited by examiner

*Primary Examiner*—Sandra Snapp

(74) *Attorney, Agent, or Firm*—Ivor M. Hughes; Neil H. Hughes; Marcelo K. Sarkis

(57) **CLAIM**

The ornamental design for a infant support device, as shown and described.

**DESCRIPTION**

FIG. 1 is a top, front perspective view of the infant support device embodying the design;

FIG. 2 is a side elevation view of the infant support device embodying the design;

FIG. 3 is a top plan view of the infant support device embodying the design;

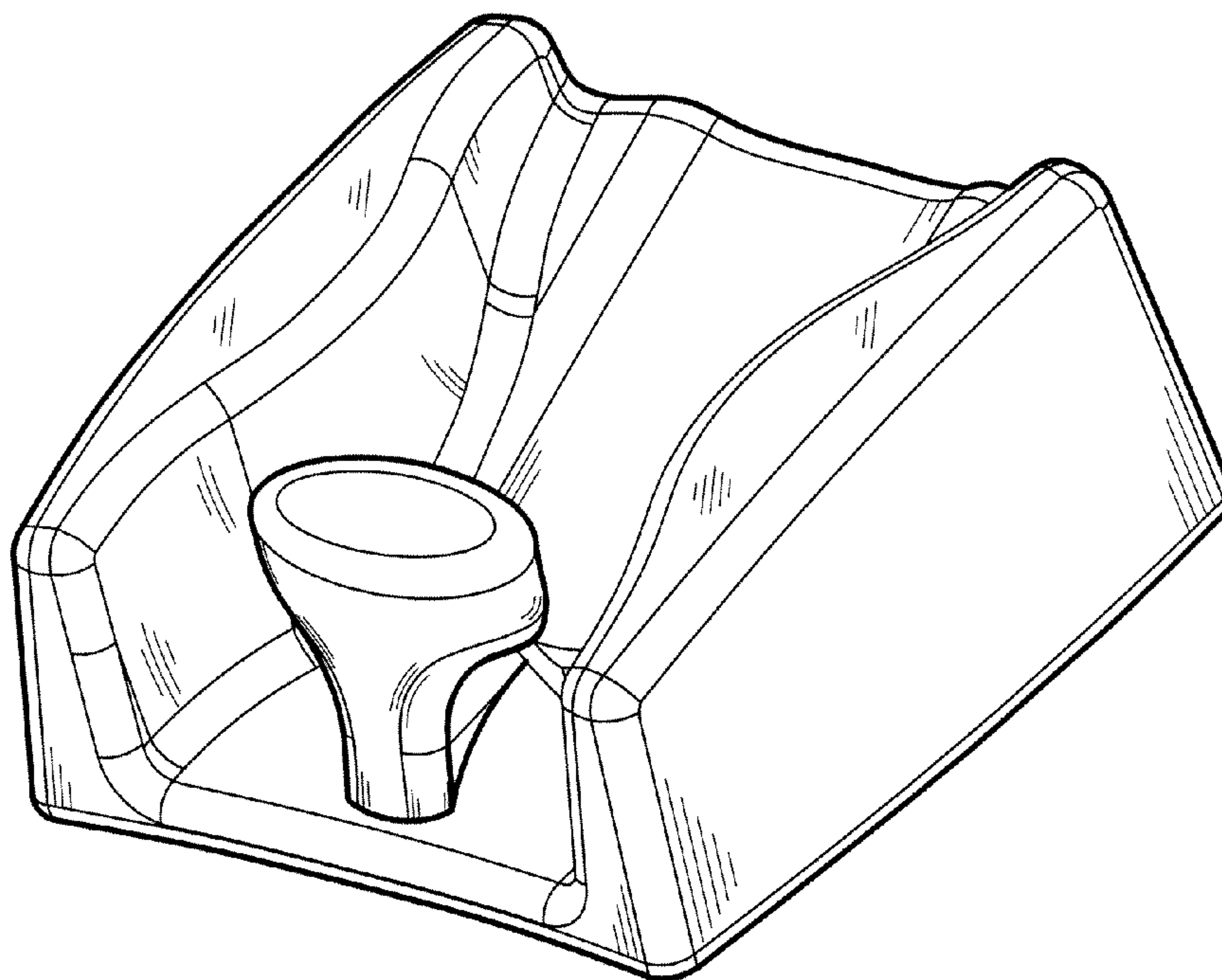
FIG. 4 is a cross-sectional view of the infant support device take along line 4-4 in FIG. 3;

FIG. 5 is a cross-sectional view of the infant support device taken along line 5-5 in FIG. 3;

FIG. 6 is a front elevation view of the infant support device embodying the design; and,

FIG. 7 is a back elevation view of the infant support device embodying the design.

**1 Claim, 5 Drawing Sheets**



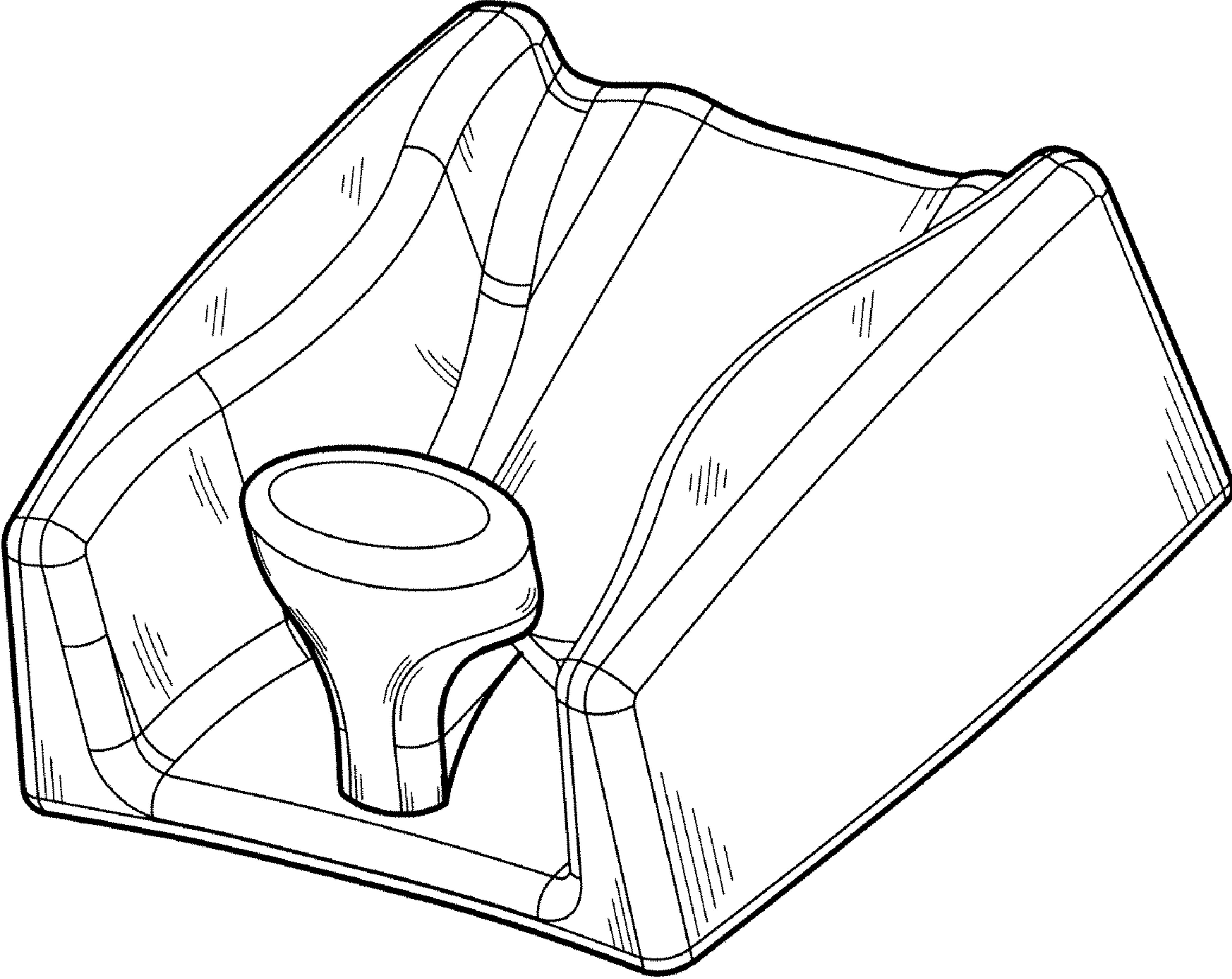


FIG. 1

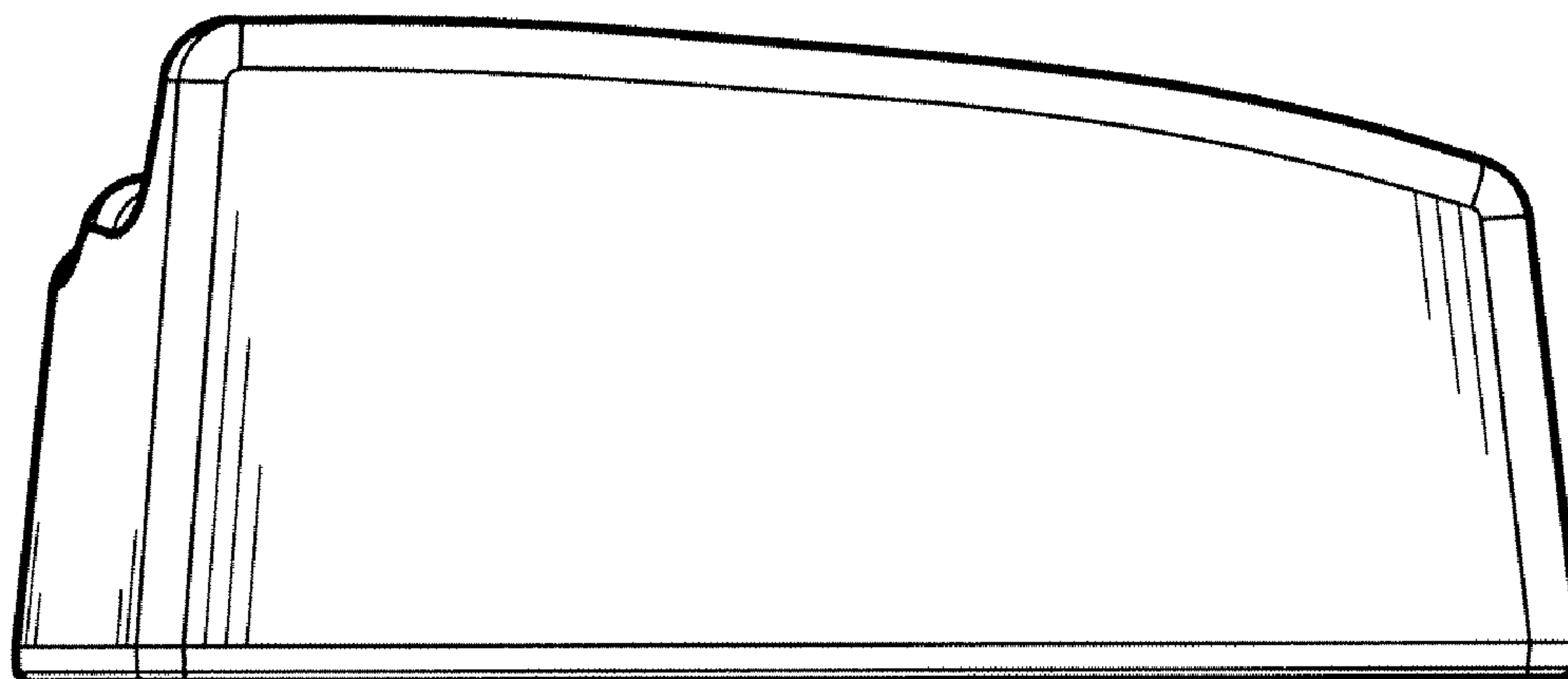


FIG. 2

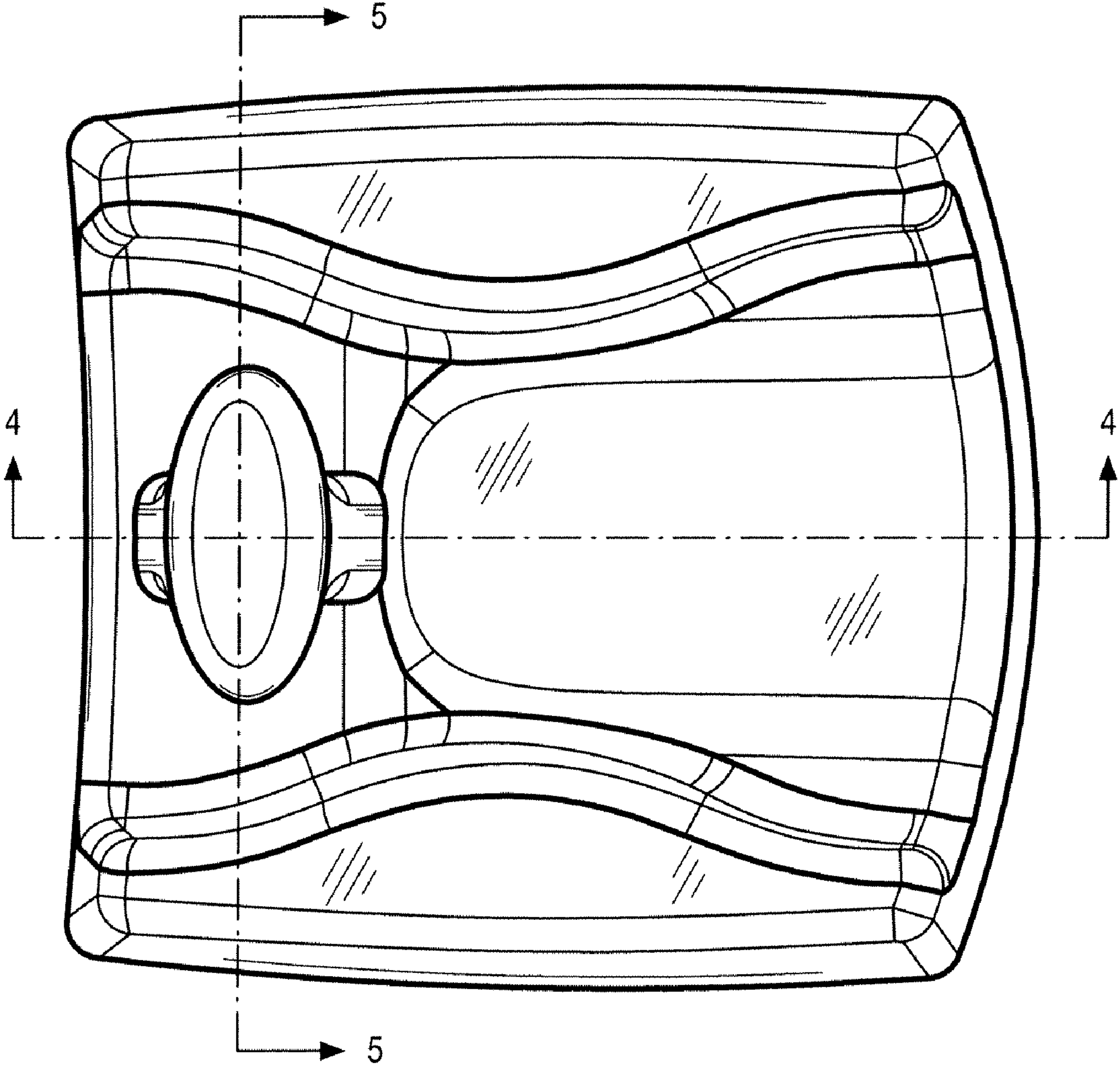


FIG. 3



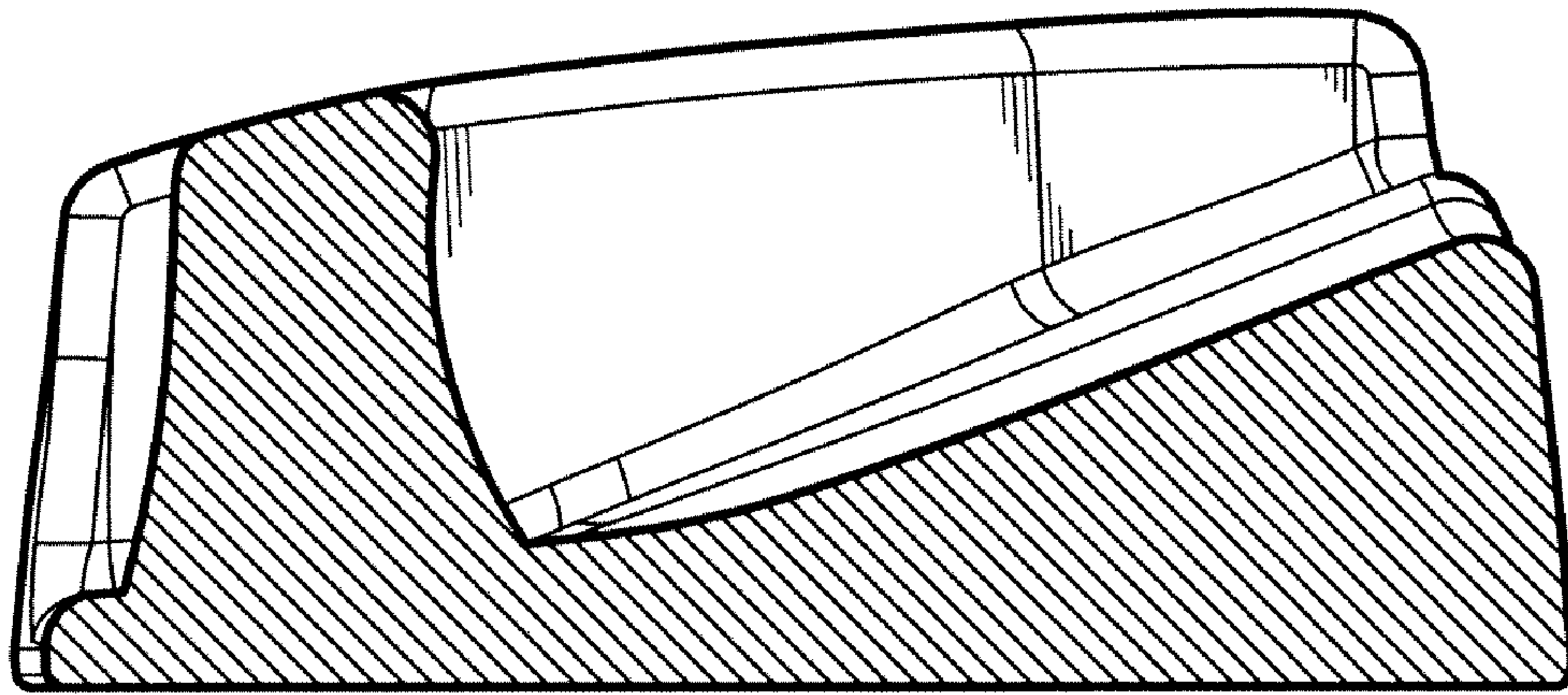


FIG. 4

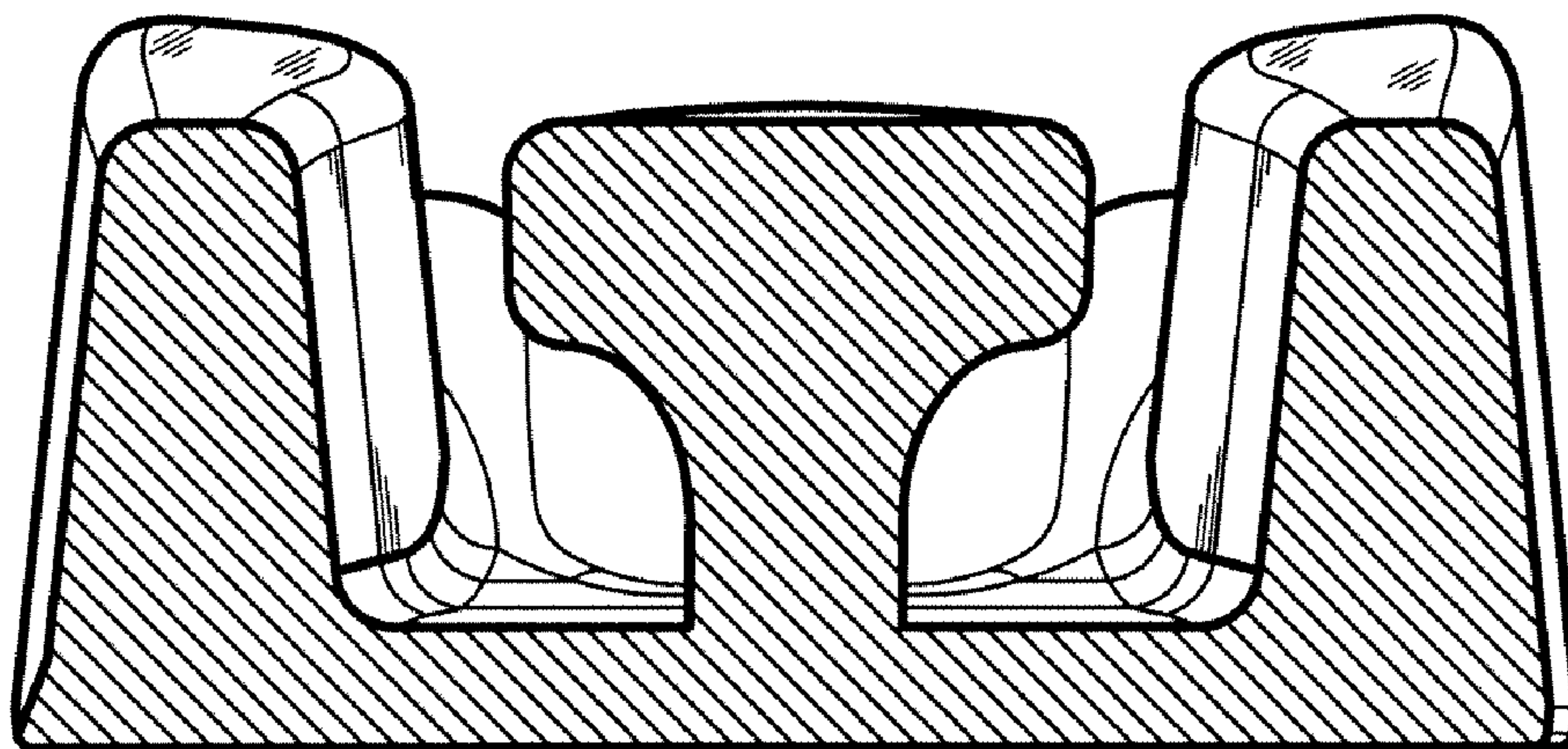


FIG. 5

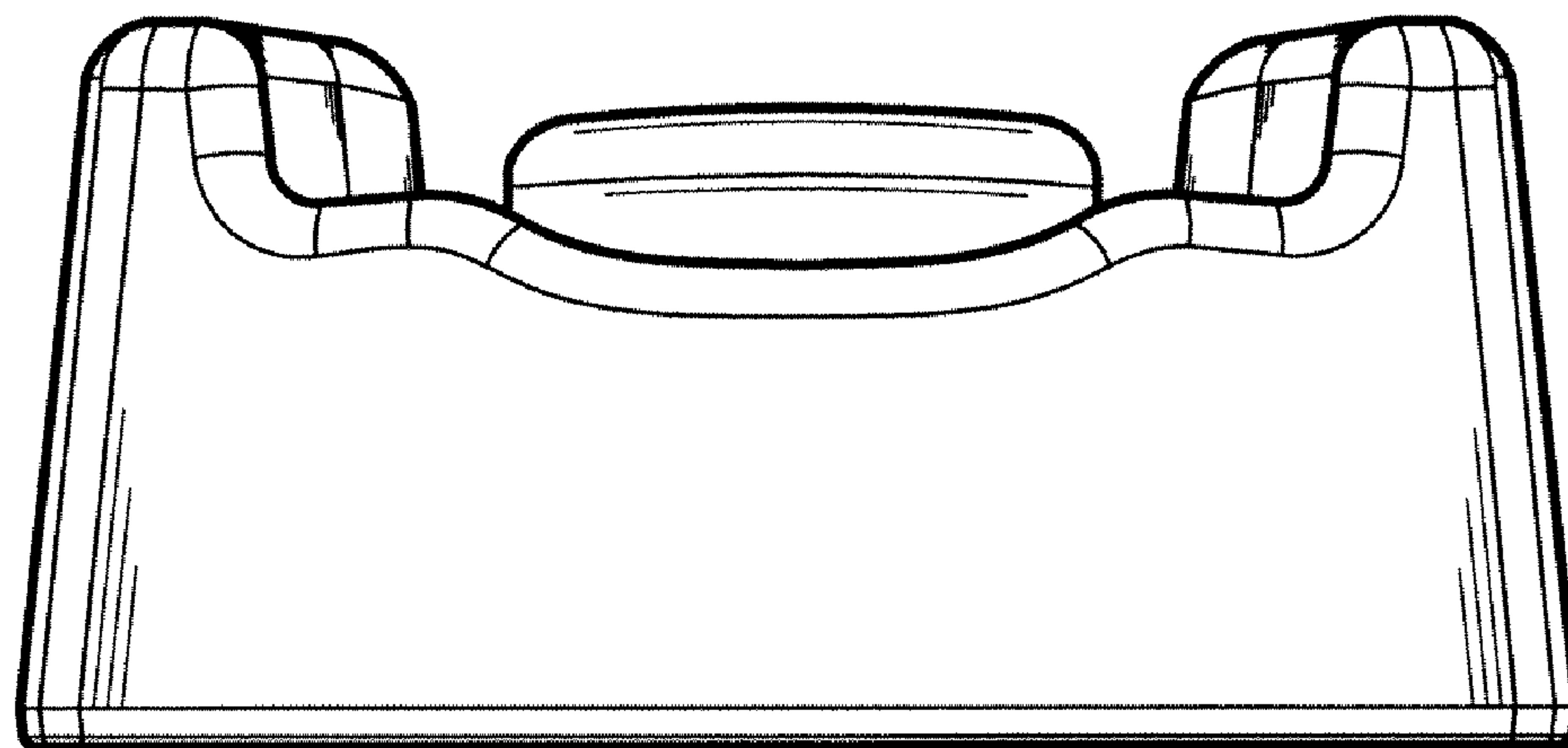


FIG. 6

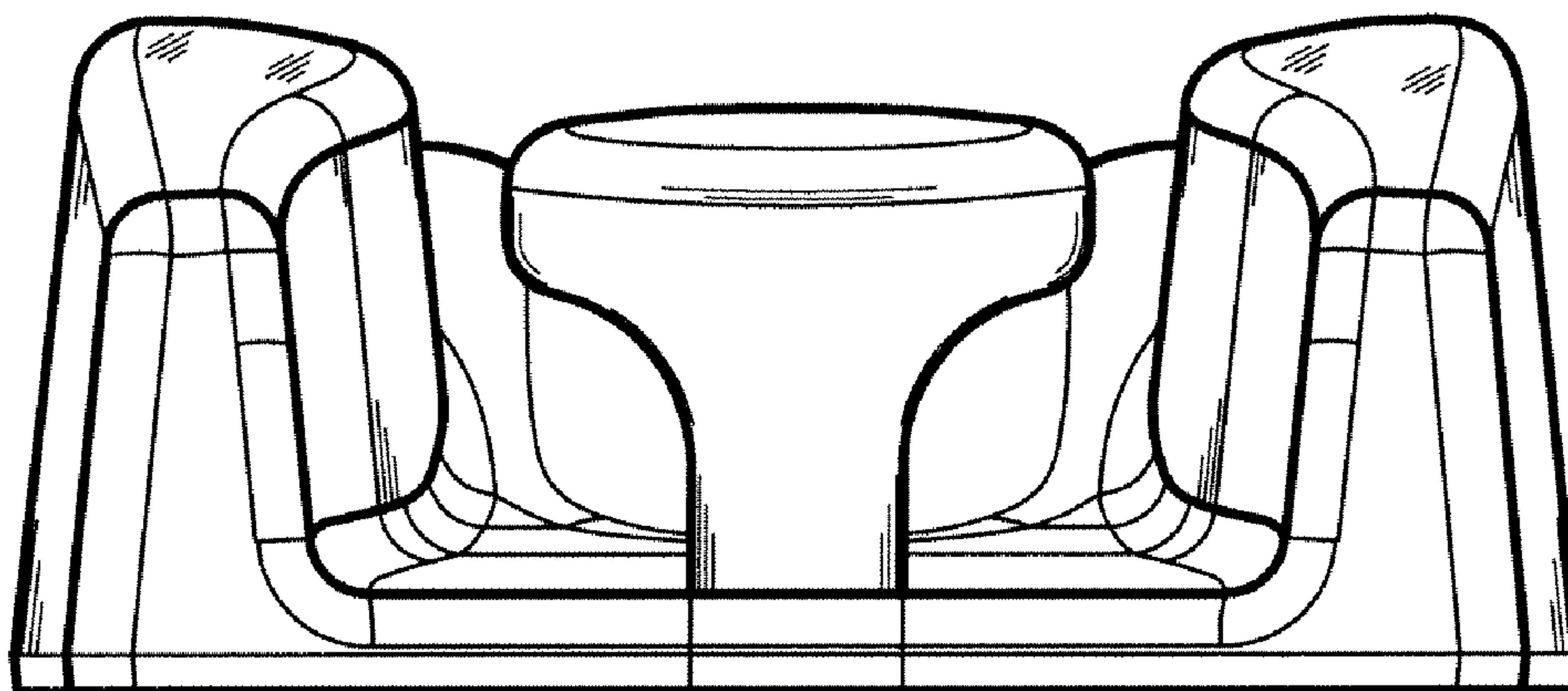


FIG. 7