



US00D623425S

(12) **United States Design Patent**
Mischel, Jr. et al.

(10) **Patent No.:** **US D623,425 S**
(45) **Date of Patent:** **** Sep. 14, 2010**

- (54) **BACKLIT MIRROR WITH TV**
- (75) Inventors: **James Vernon Mischel, Jr.**, Edmonds, WA (US); **Patrick Daniel Erickson**, Seattle, WA (US); **James Vernon Mischel, Sr.**, Lynnwood, WA (US)
- (73) Assignee: **Electric Mirror, L.L.C.**, Everett, WA (US)
- (**) Term: **14 Years**
- (21) Appl. No.: **29/258,434**
- (22) Filed: **Apr. 22, 2006**

6,099,928 A	8/2000	Chee	
D431,909 S	10/2000	Henry	
D433,573 S	11/2000	Rochon	
D458,459 S *	6/2002	Gottwald D6/300
D480,923 S	10/2003	Neubourg	
D524,555 S	7/2006	Mohundro	
D536,881 S	2/2007	Mischel, Jr.	
D546,565 S	7/2007	Mischel, Jr.	
D547,073 S	7/2007	Mischel, Jr.	
D559,553 S	1/2008	Mischel, Jr.	
D559,555 S	1/2008	Mischel, Jr.	

- (51) **LOC (9) Cl.** **06-07**
- (52) **U.S. Cl.** **D6/308; D14/129**
- (58) **Field of Classification Search** D6/300-314, D6/444; D20/10; 40/700, 735, 738, 744, 40/798; D28/64.1; 250/492.23; D19/52; D5/63; D14/371, 126-129; 359/871; D13/147
See application file for complete search history.

(Continued)

OTHER PUBLICATIONS

Bagen, www.yashdefogger.com,BGL-008,2004.*

(Continued)

Primary Examiner—Philip S Hyder
Assistant Examiner—Sydney R Buffalow
 (74) *Attorney, Agent, or Firm*—Christensen O'Connor Johnson Kindness PLLC

(56) **References Cited**
U.S. PATENT DOCUMENTS

D114,451 S	4/1939	Lazarus	
3,038,771 A	6/1962	Schwartz	
D254,643 S	4/1980	Ashenfarb	
D265,485 S	7/1982	Liptak	
D311,820 S	11/1990	Glucksman	
D320,364 S	10/1991	Hernandez	
5,074,067 A	12/1991	Cohart	
D327,370 S	6/1992	Mittelstrass	
D339,921 S	10/1993	Nourse	
D345,379 S	3/1994	Chan	
5,367,802 A	11/1994	Rosenberg	
5,575,552 A	11/1996	Faloon	
D376,914 S	12/1996	Waszkiewicz, III	
D383,908 S	9/1997	Waszkiewicz, III	
D384,821 S	10/1997	Sugar	
D384,823 S	10/1997	Sugar	
D390,010 S	2/1998	Fry	
D405,473 S	2/1999	Tikhonski et al.	
D424,812 S *	5/2000	Kacius D6/300

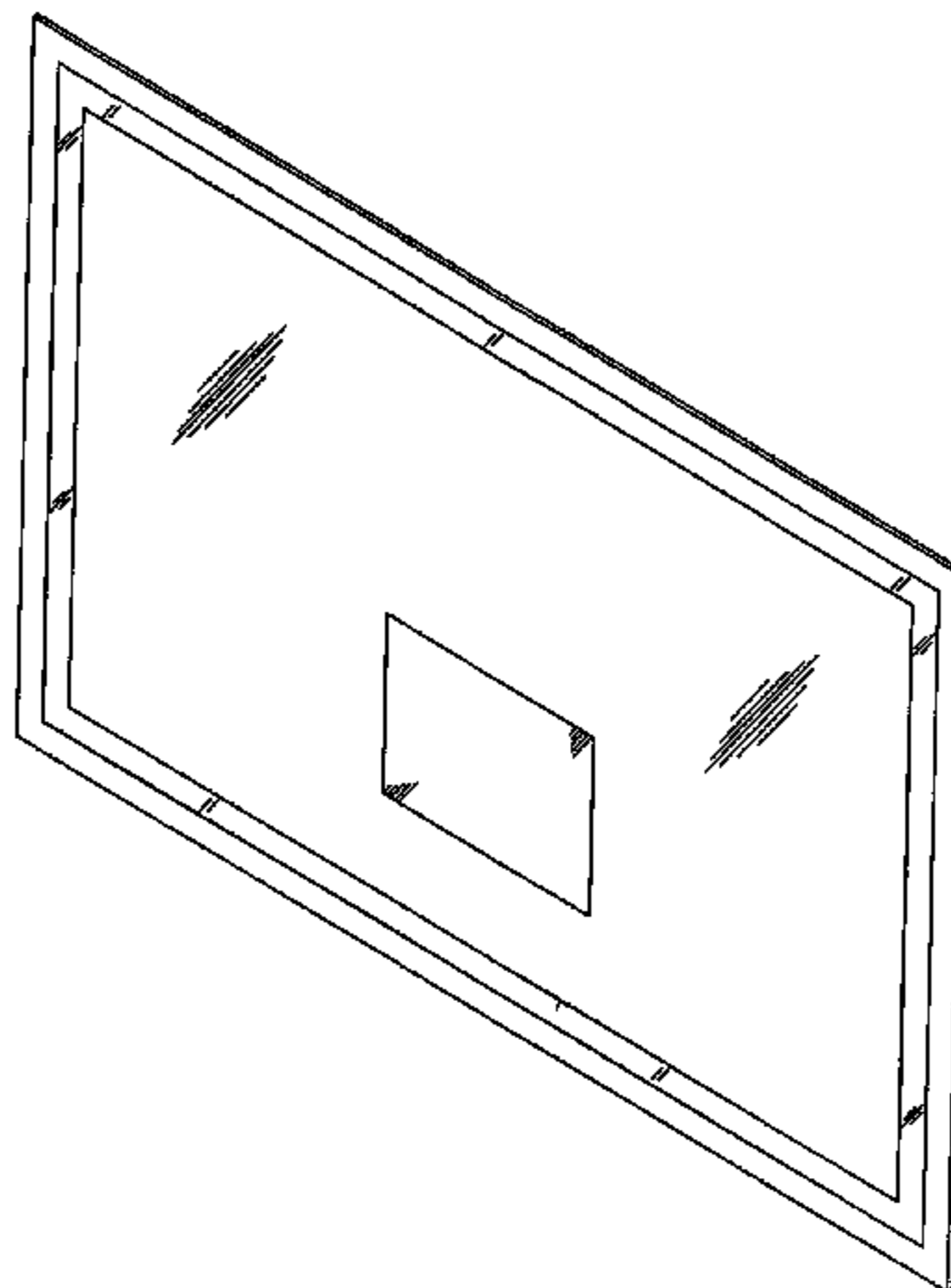
(57) **CLAIM**

The ornamental design for a backlit mirror with tv, as shown and described.

DESCRIPTION

FIG. 1 is a perspective view of a backlit mirror with tv, showing our new design:
 FIG. 2 is a front view and back view thereof;
 FIG. 3 is a left side view and a right side view thereof; and,
 FIG. 4 is a top view and a bottom view thereof.

1 Claim, 2 Drawing Sheets



US D623,425 S

Page 2

U.S. PATENT DOCUMENTS

D559,557 S 1/2008 Mischel, Jr.
D560,371 S * 1/2008 Liu et al. D6/308
D576,432 S * 9/2008 Siekmann D6/509
D593,036 S * 5/2009 Asano et al. D13/147
2002/0069567 A1 6/2002 Marino
2005/0005494 A1 1/2005 Way
2009/0257140 A1* 10/2009 Mischel et al. 359/871

OTHER PUBLICATIONS

“Concord,” ElectricMirror.com, <<http://web.archive.org/web/20060311194445/www.electricmirror.com/concord.html>>, as early as Mar. 2006. “Esteem,”

“Esteem,” ElectricMirror.com, <<http://web.archive.org/web/20060709052833/www.electricmirror.com/esteem.html>>, as early as Mar. 2006.

“Masterpiece,” ElectricMirror.com, <<http://web.archive.org/web/20030831074237/www.electricmirror.com/english/menu/masterpiece...html>>, as early as Aug. 2003.

Mischel, Jr., J.V., and P.D. Erickson, “Lighted Mirror,” U.S. Appl. No. 29/258,436, filed Apr. 22, 2006.

Mischel, Jr., J.V., “Backlit Mirror,” U.S. Appl. No. 29/266,157, filed Sep. 14, 2006.

“Momentum,” ElectricMirror.com, <<http://web.archive.org/web/20030831074416/www.electricmirror.com/english/menu/momentum...html>>, as early as Aug. 2003.

* cited by examiner

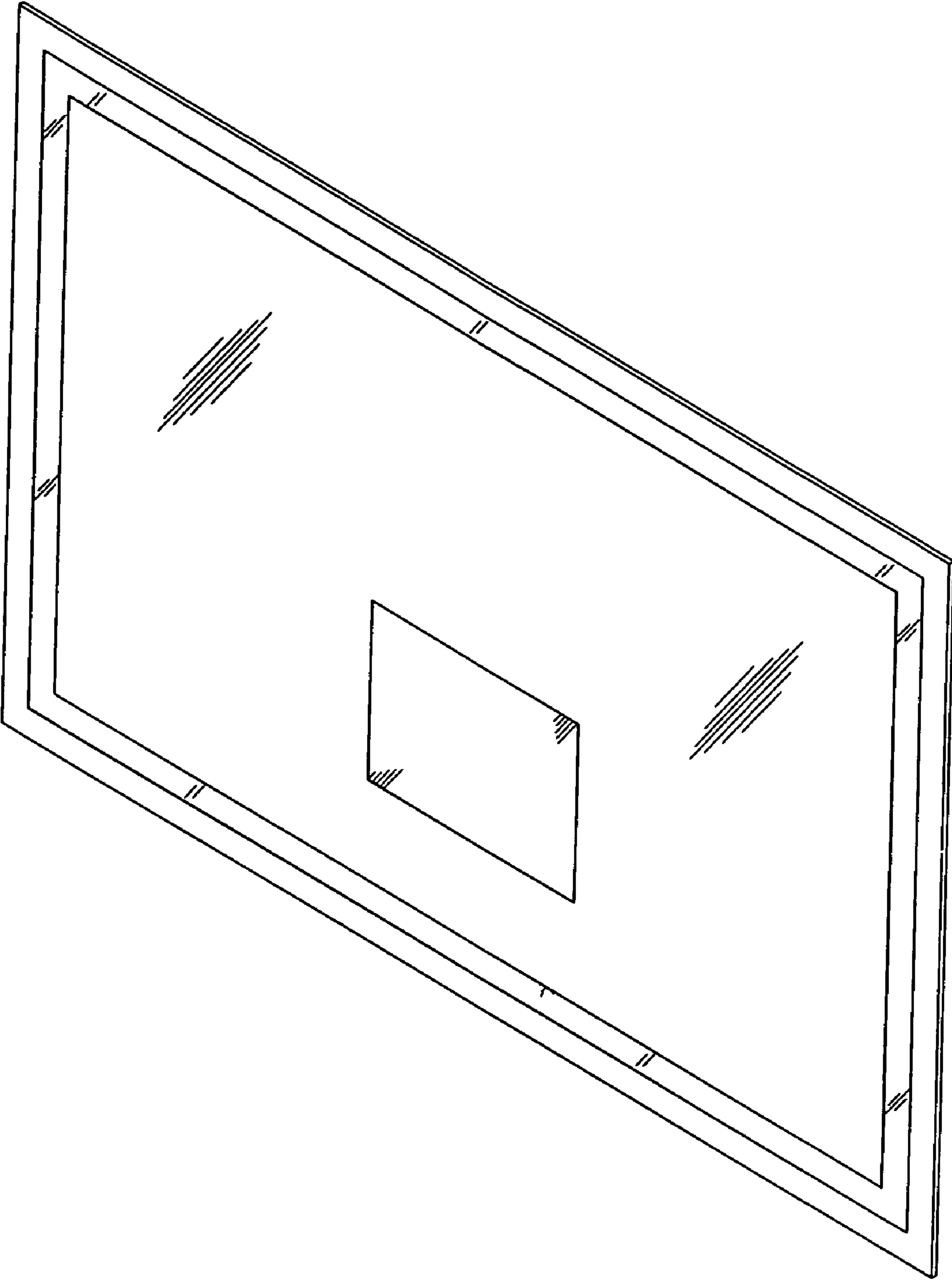


Fig. 1.

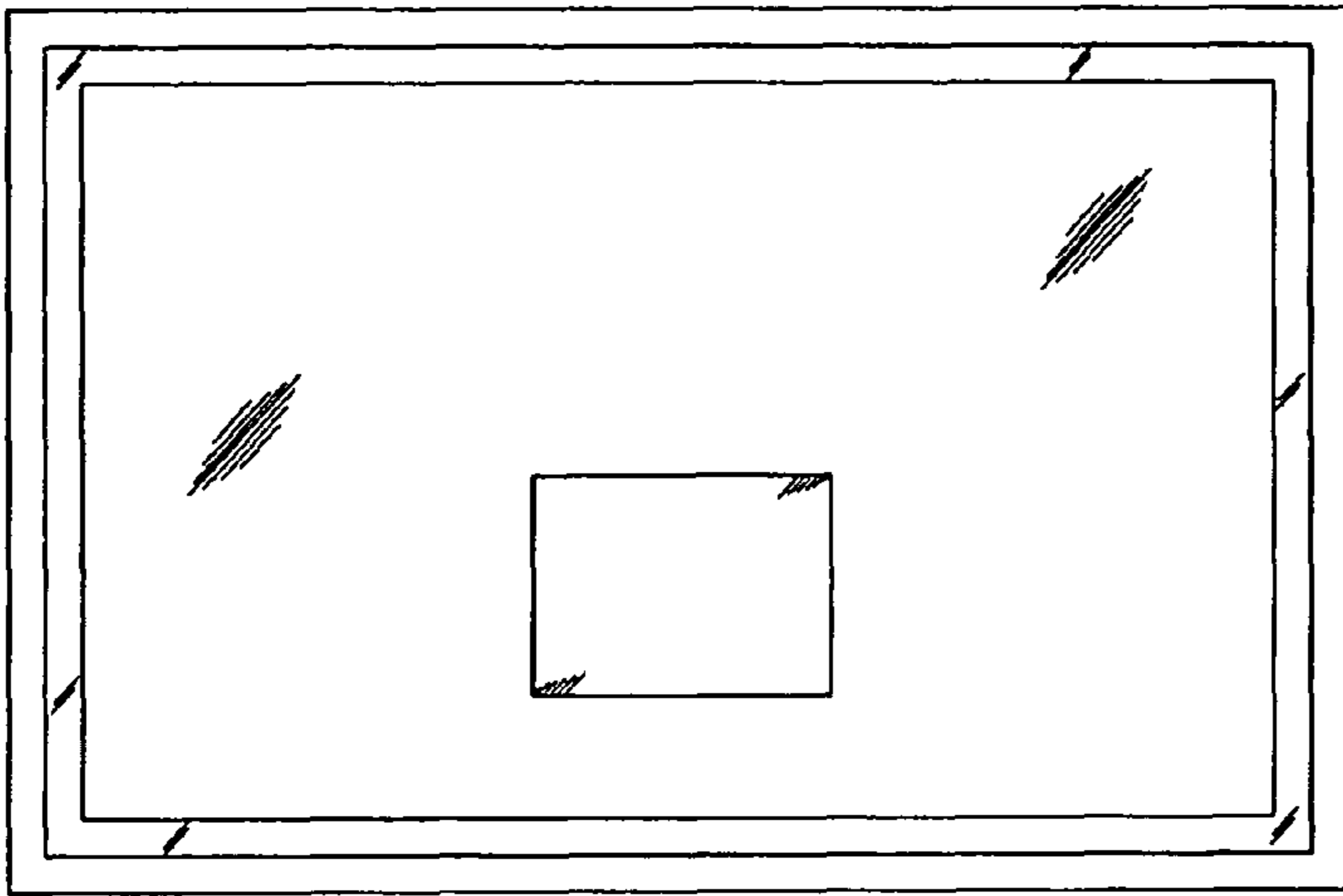


Fig. 2.



Fig. 3.



Fig. 4.