



US00D623417S

(12) **United States Design Patent**
Buck et al.

(10) **Patent No.:** **US D623,417 S**
(45) **Date of Patent:** **** Sep. 14, 2010**

(54) **TOILET BRUSHWARE**

2005/0108844 A1 5/2005 Grobbel et al.

(75) Inventors: **Spencer Buck**, Weston-super-Mare (GB); **John Lamb**, Pewsey (GB); **Martin Bunce**, Pewsey (GB)

FOREIGN PATENT DOCUMENTS

DE	2810845 A *	9/1979
DE	29817209	3/1999
DE	102006034405	10/2007
JP	2001008856	1/2001
JP	2001186929	7/2001
JP	2006271644	10/2006

(73) Assignee: **Taxi Studio Limited**, Bristol (GB)

(**) Term: **14 Years**

* cited by examiner

(21) Appl. No.: **29/339,101**

Primary Examiner—Melanie H Tung

(22) Filed: **Jun. 24, 2009**

Assistant Examiner—Lavone D Tabor

(30) **Foreign Application Priority Data**

(74) *Attorney, Agent, or Firm*—Stites & Harbison PLLC; Douglas E. Jackson

Mar. 25, 2009 (EM) 001112312-0001

(57) **CLAIM**

(51) **LOC (9) Cl.** **04-01**

The ornamental design for a toilet brushware, as shown and described.

(52) **U.S. Cl.** **D4/127; D4/138**

(58) **Field of Classification Search** D4/127, D4/135, 138, 199, 137; D32/35, 51, 40, D32/50, 52; 15/104.16, 104.31, 143.1, 211, 15/224, 225

DESCRIPTION

See application file for complete search history.

FIG. 1 is front view showing the new design.

FIG. 2 is rear view thereof.

(56) **References Cited**

U.S. PATENT DOCUMENTS

265,319 A *	10/1882	Howell, Jr.	15/104.16
265,320 A *	10/1882	Howell, Jr.	15/104.31
2,176,795 A	10/1939	Hartley		
3,560,101 A *	2/1971	Leland	206/361
3,754,297 A	8/1973	Metz		
D290,798 S *	7/1987	Zuliani	D6/551
5,850,654 A	12/1998	Coffey		
5,941,379 A	8/1999	Barardo		
2004/0045112 A1	3/2004	Naumann		

FIG. 3 is a right side view thereof, the left side view being a mirror image thereof.

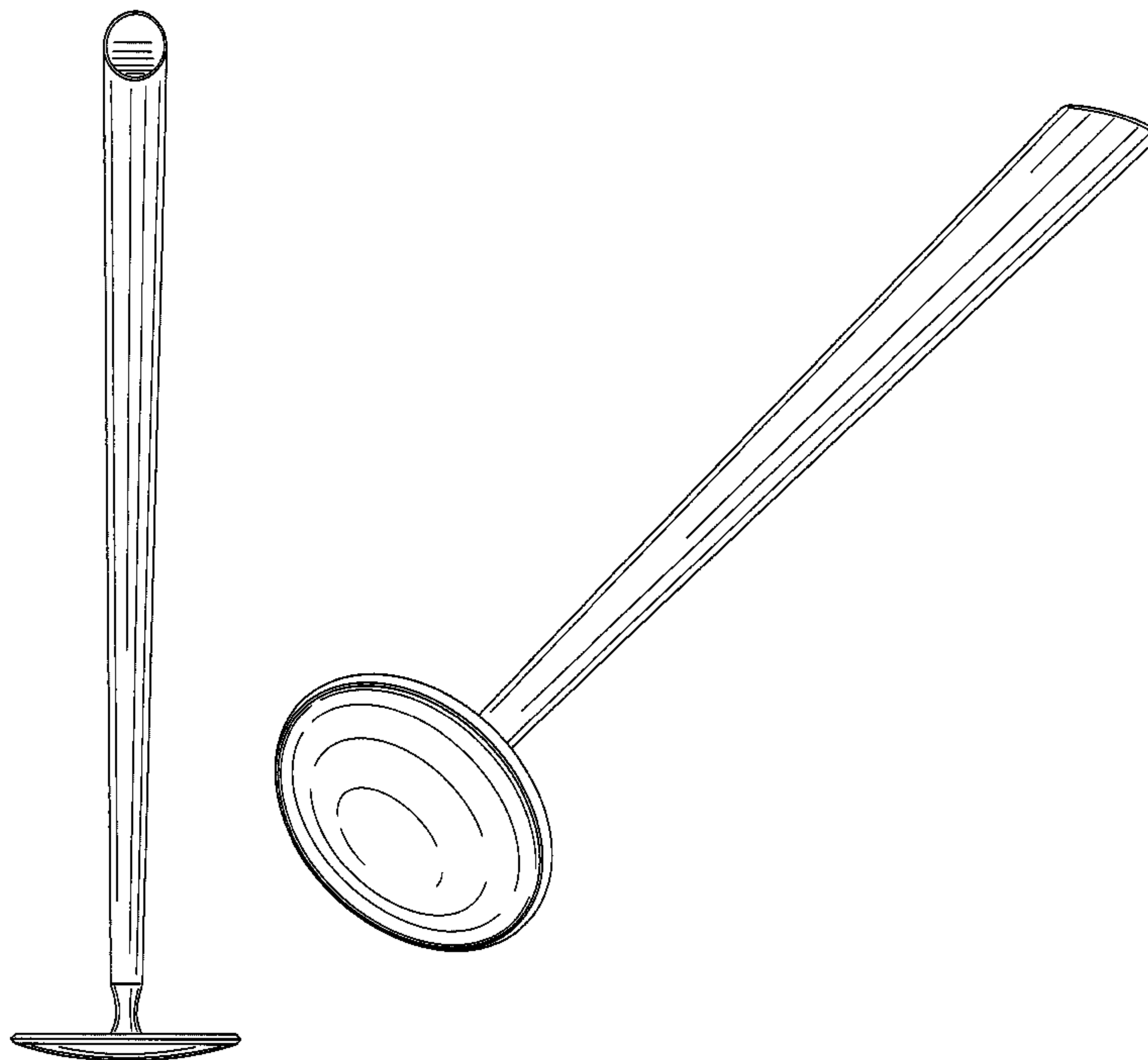
FIG. 4 is an enlarged perspective front, bottom and right side view thereof.

FIG. 5 is a greatly enlarged top view thereof; and,

FIG. 6 is a greatly enlarged bottom view thereof.

The continuous broken line shown in FIG. 5 represents the bounds of the claim and forms no part thereof.

1 Claim, 2 Drawing Sheets



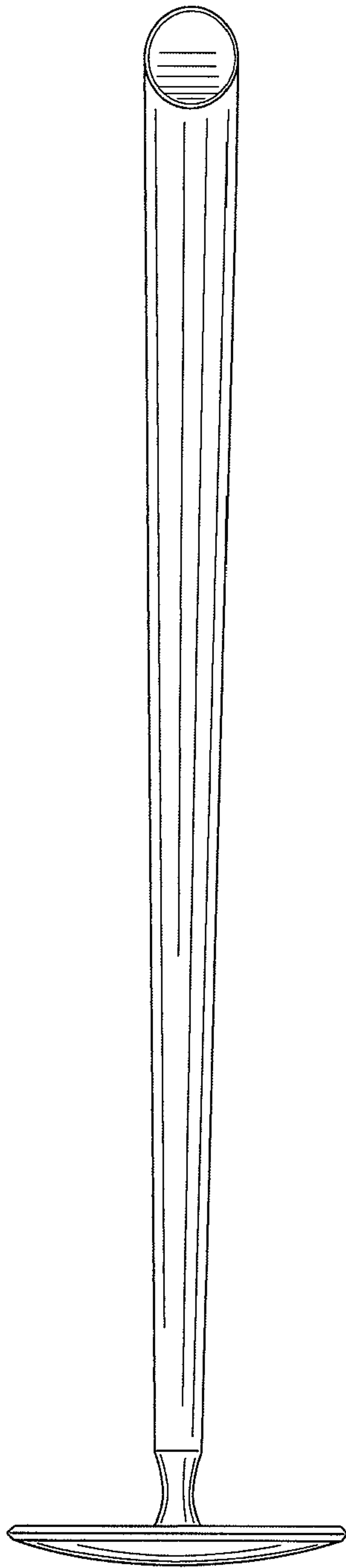


FIG. 1

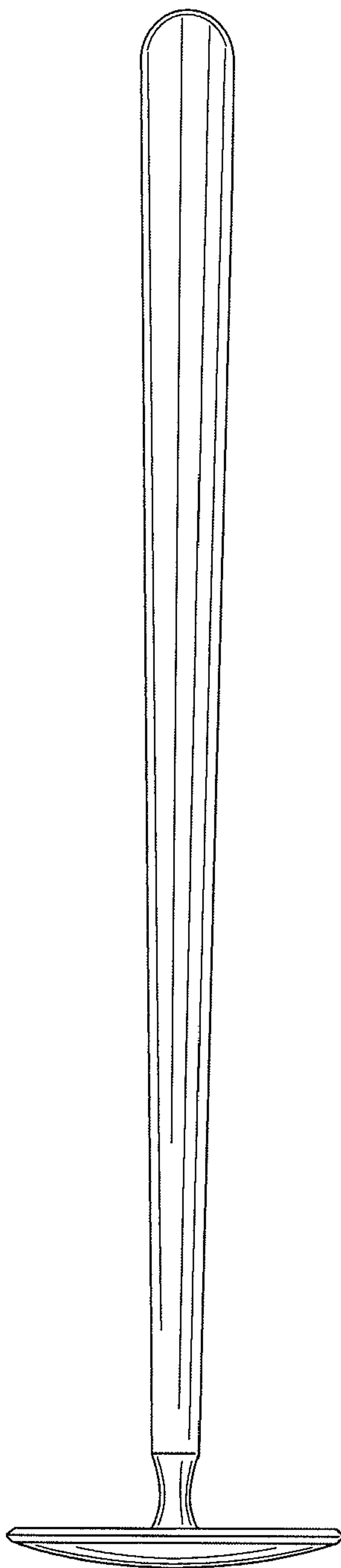


FIG. 2

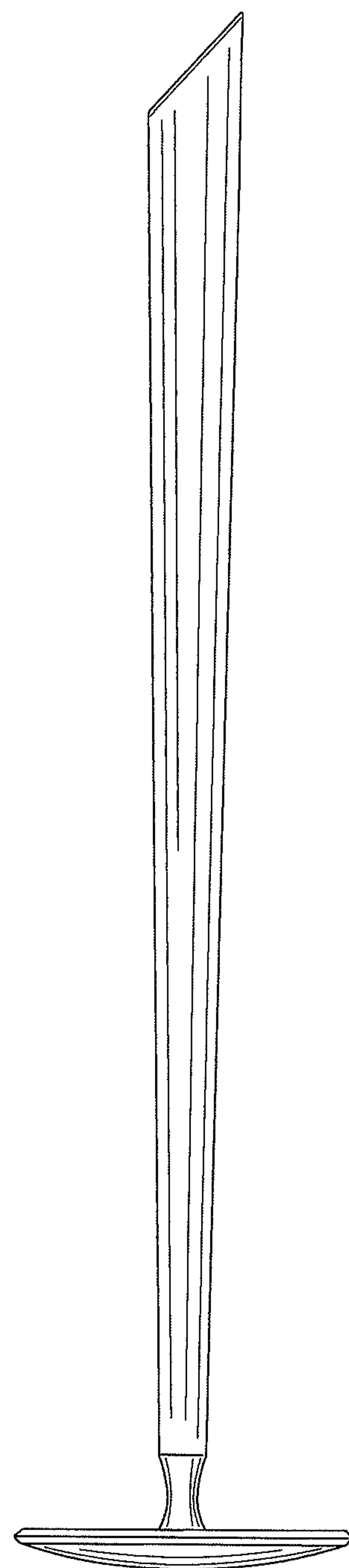


FIG. 3

