



US00D623408S

(12) **United States Design Patent**
Benedetti

(10) **Patent No.:** **US D623,408 S**

(45) **Date of Patent:** **** Sep. 14, 2010**

(54) **HANDLE WITH STORAGE SPACE FOR A PORTABLE BAG OR CONTAINER**

(75) Inventor: **Giovanni Benedetti**, West Kilbride (GB)

(73) Assignee: **Benedetti International Limited**, Wishaw, Lanarkshire (GB)

(**) Term: **14 Years**

(21) Appl. No.: **29/345,518**

(22) Filed: **Oct. 16, 2009**

(30) **Foreign Application Priority Data**

Apr. 16, 2009 (EM) 001122287-0001

(51) **LOC (9) Cl.** **03-01**

(52) **U.S. Cl.** **D3/276; D3/274**

(58) **Field of Classification Search** D3/273, D3/274, 276, 290, 294, 315, 316, 254; 190/18 R, 190/19, 24, 100, 115; 206/315.1, 315.3, 206/459; 220/260, 660, 694

See application file for complete search history.

(56) **References Cited**

U.S. PATENT DOCUMENTS

4,260,069	A *	4/1981	Juergens	220/812
5,673,811	A *	10/1997	Dickinson et al.	220/812
D407,218	S *	3/1999	Luddemann	D3/269
D411,662	S *	6/1999	Carter	D3/279
D463,909	S *	10/2002	Carter	D3/279
D495,487	S *	9/2004	Jaron et al.	D3/276
D509,957	S *	9/2005	Ng et al.	D3/274
D513,558	S *	1/2006	Tagliati et al.	D3/276
D535,477	S *	1/2007	Nguy et al.	D3/276
D540,493	S *	4/2007	Fick	D30/133

* cited by examiner

Primary Examiner—Prabhakar Deshmukh

(74) *Attorney, Agent, or Firm*—Jenkins, Wilson, Taylor & Hunt, P.A.

(57) **CLAIM**

The ornamental design for a handle with storage space for a portable bag or container, as shown and described.

DESCRIPTION

FIG. 1 is a front view of a handle with storage space for a portable bag or container with a lid in a closed position according to the present invention;

FIG. 2 is a rear view of a handle with storage space for a portable bag or container according to the present invention;

FIG. 3 is a front view of a handle with storage space for a portable bag or container with a lid in an open position according to the present invention;

FIG. 4 is a left side view of a handle with storage space for a portable bag or container according to the present invention;

FIG. 5 is a top and right side perspective view of a handle with storage space for a portable bag or container with a lid in a closed position according to the present invention;

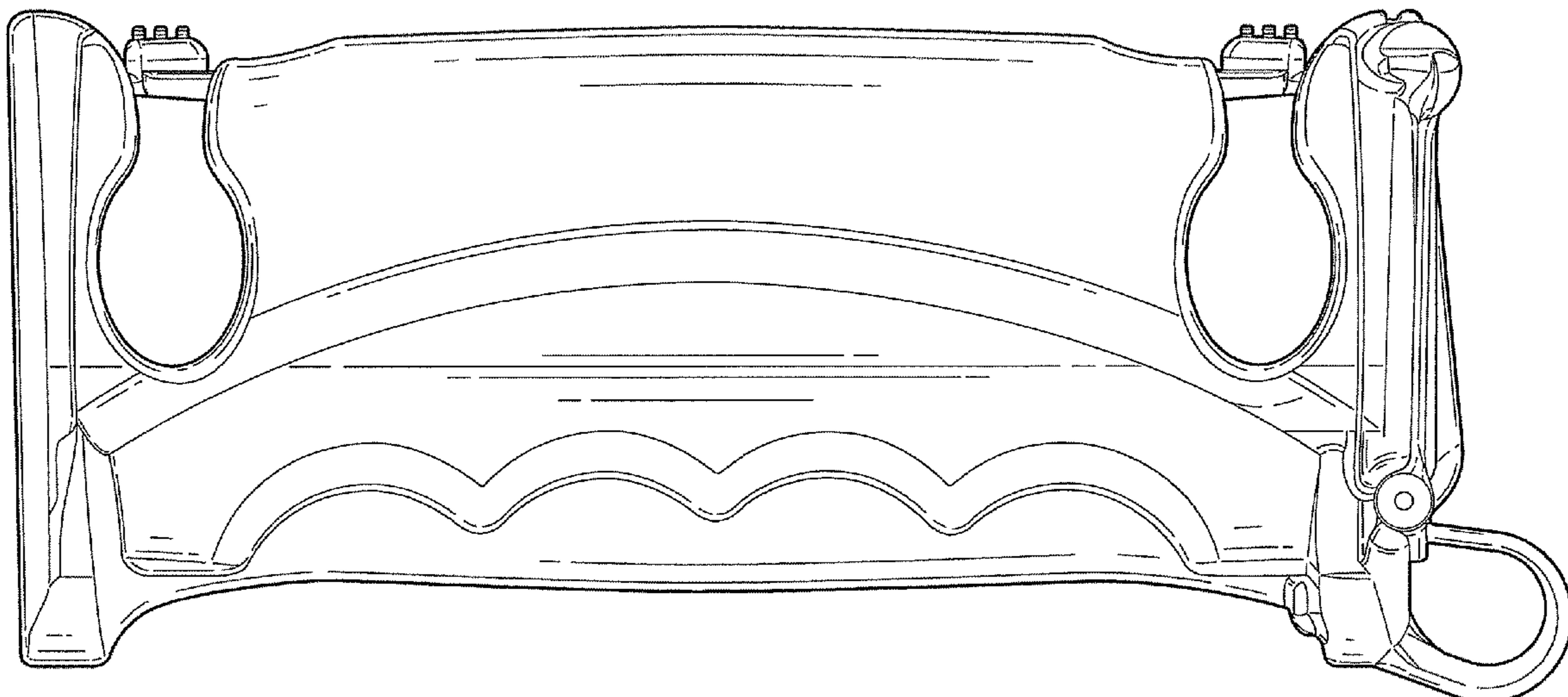
FIG. 6 is a left side perspective view of a handle with storage space for a portable bag or container according to the present invention;

FIG. 7 is a bottom and right side perspective view of a handle with storage space for a portable bag or container according to the present invention;

FIG. 8 is a top and right side perspective view of a handle with storage space for a portable bag or container with a lid in an open position according to the present invention; and,

FIG. 9 is a right side view of a handle with storage space for a portable bag or container according to the present invention.

1 Claim, 9 Drawing Sheets



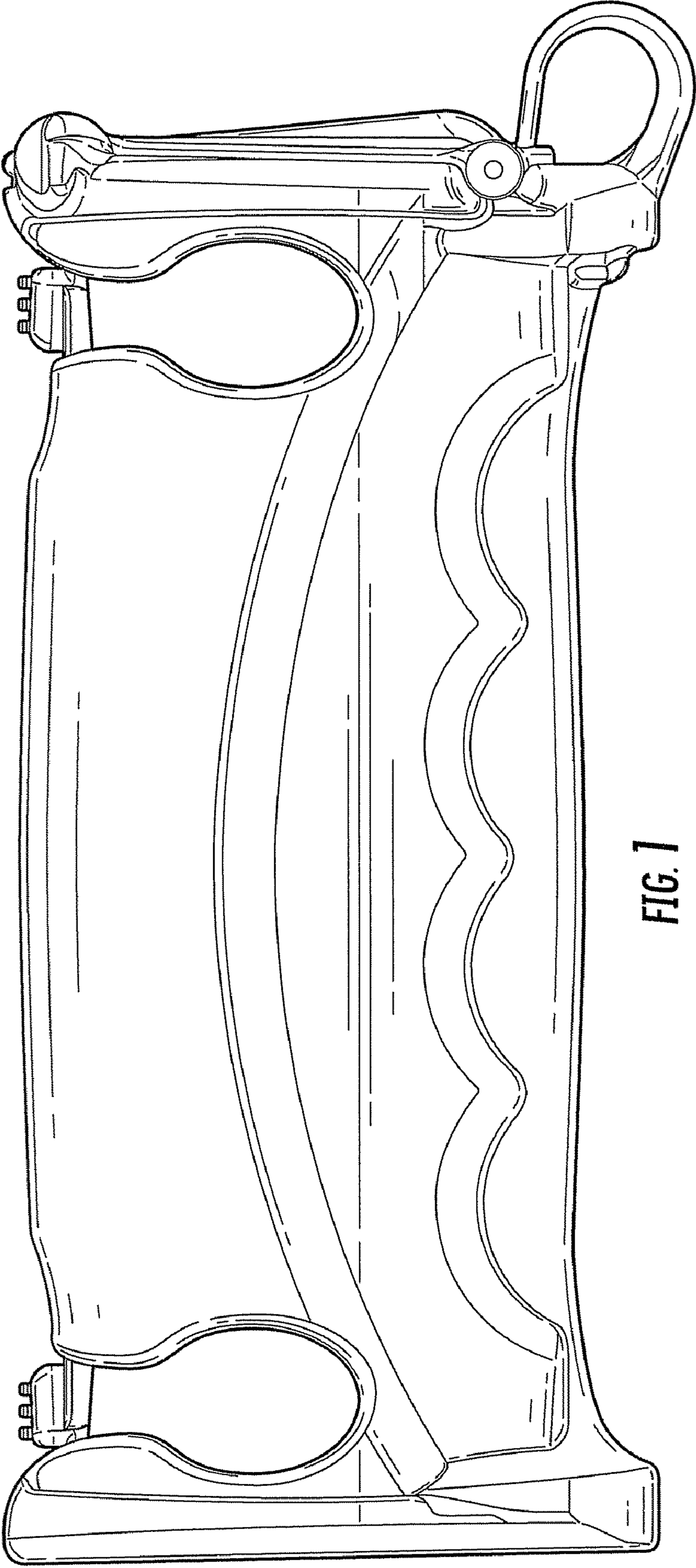


FIG. 1

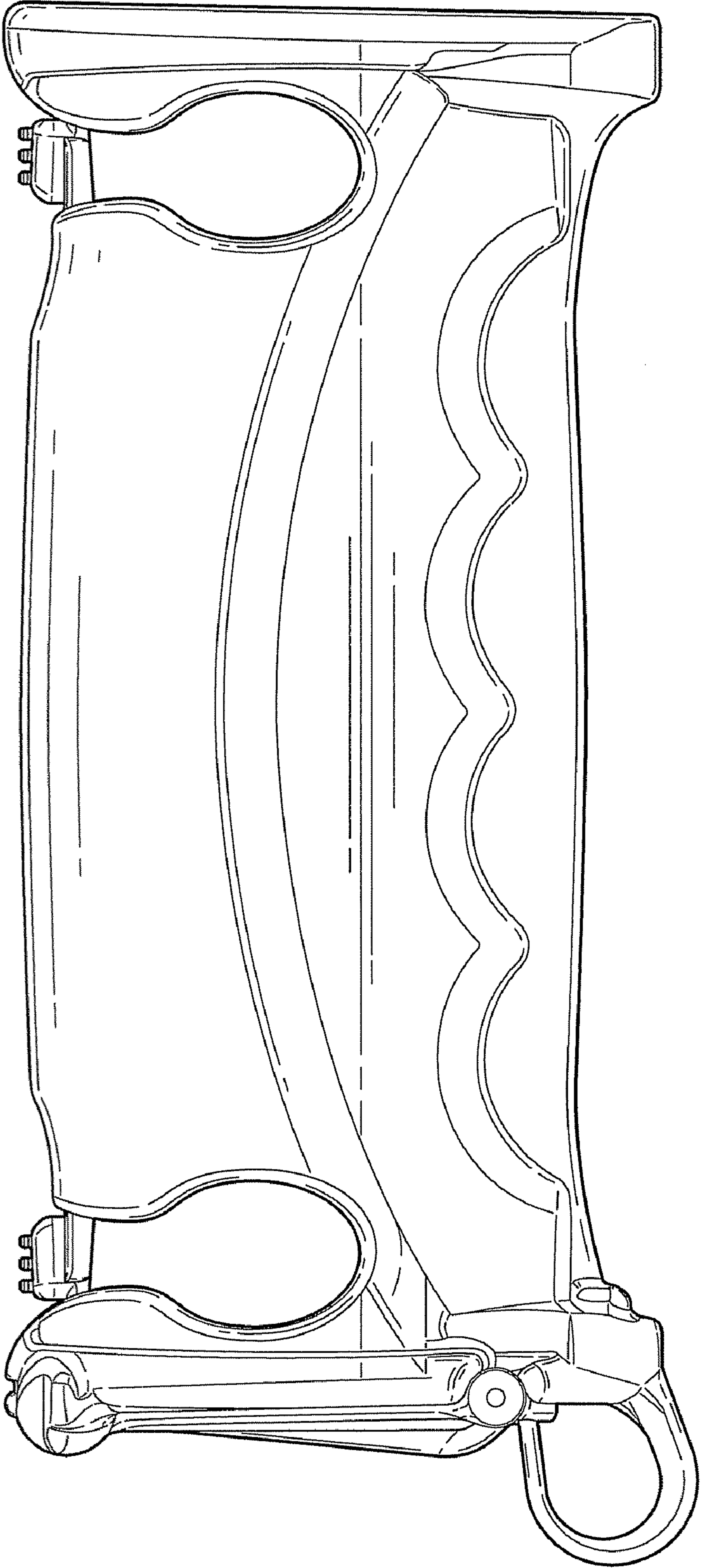


FIG. 2

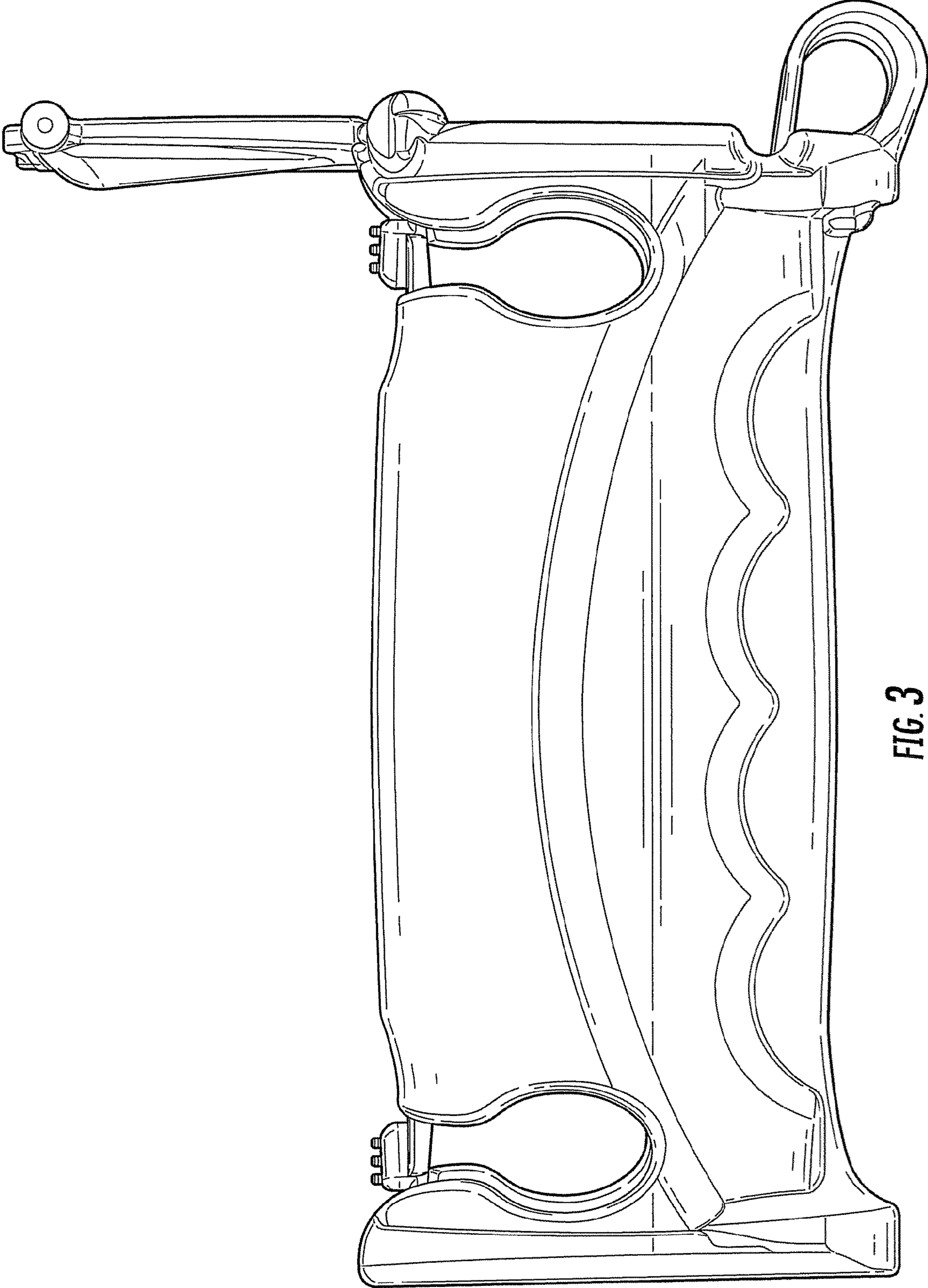


FIG. 3

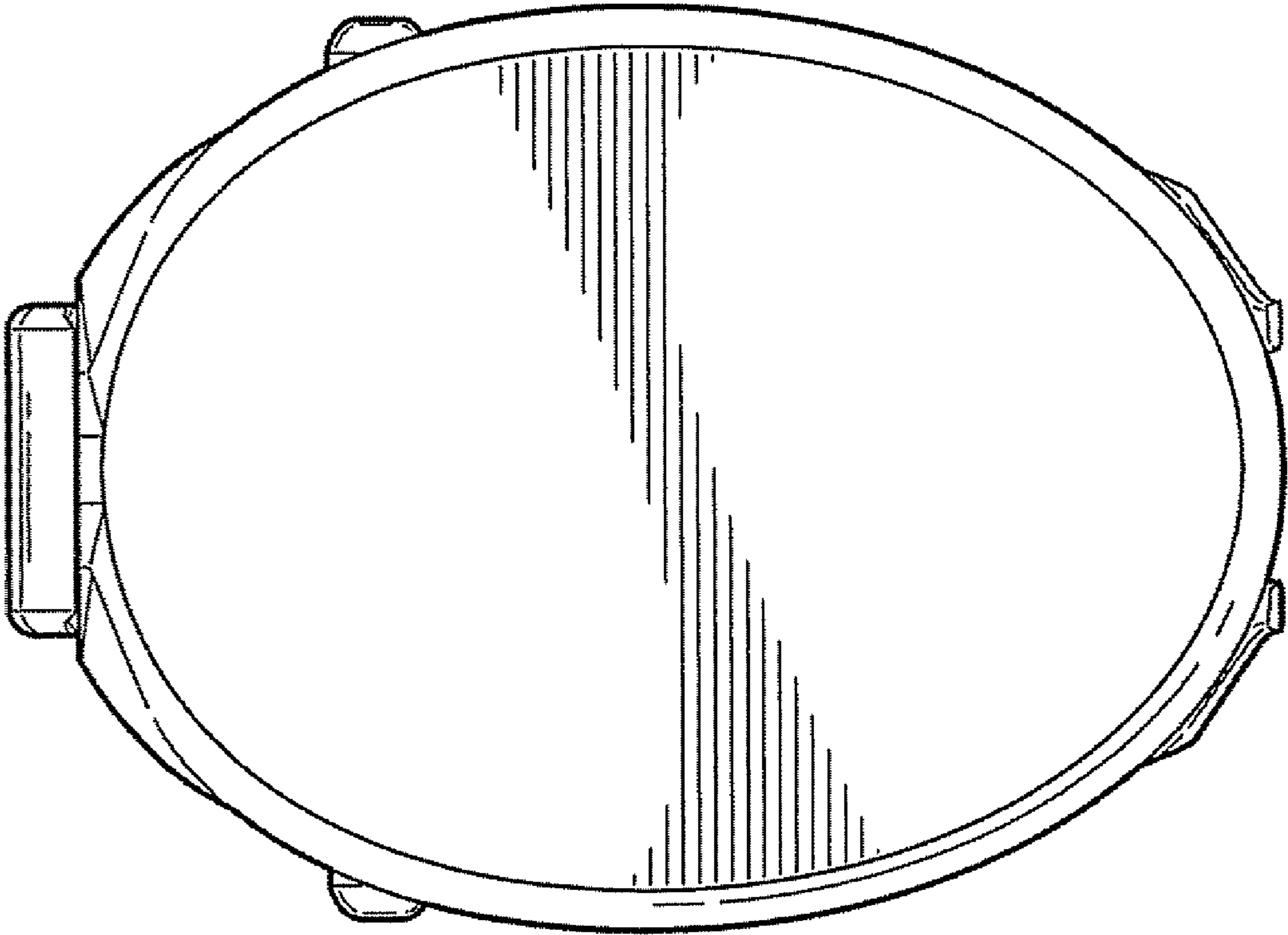


FIG. 4

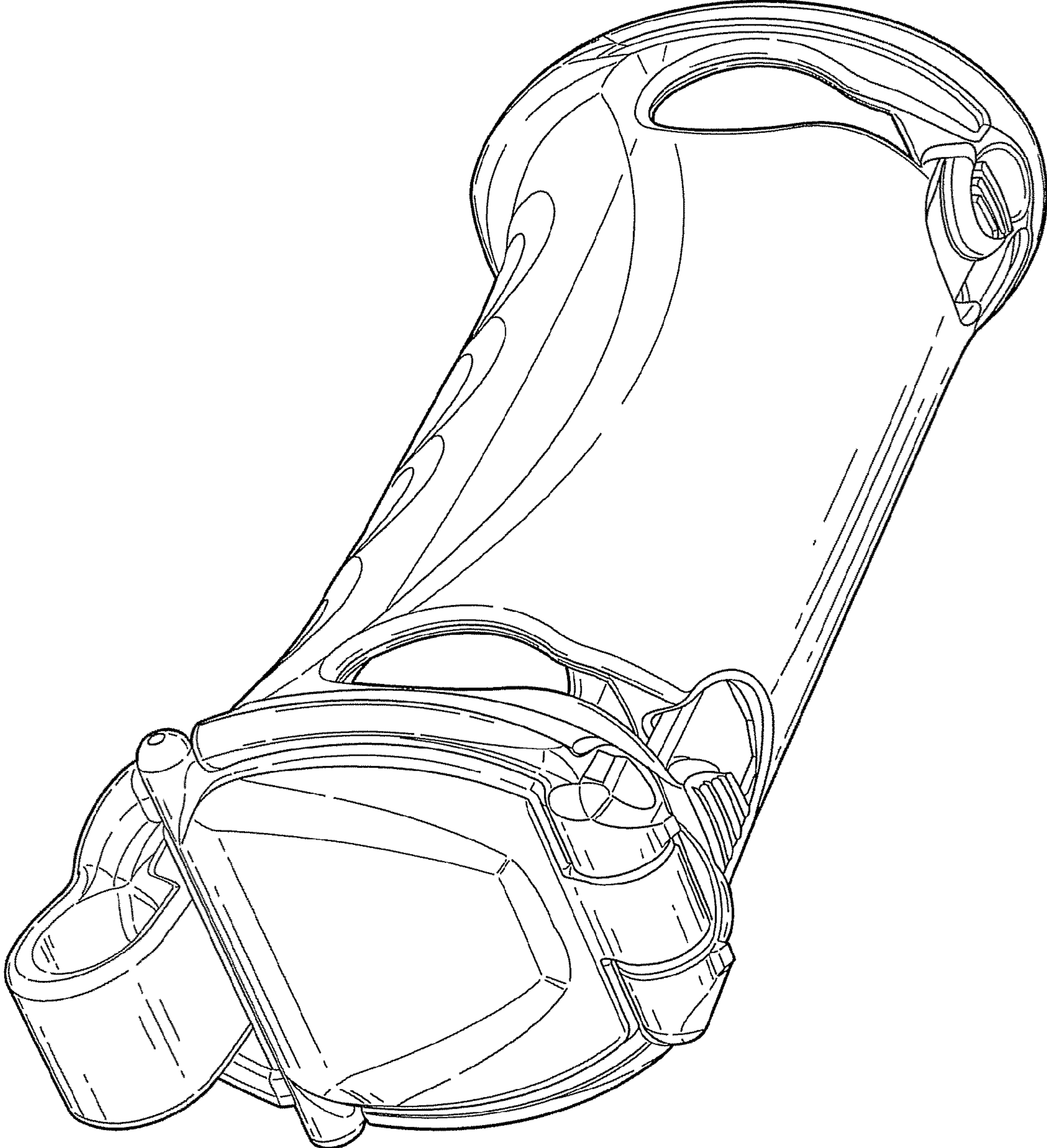


FIG. 5

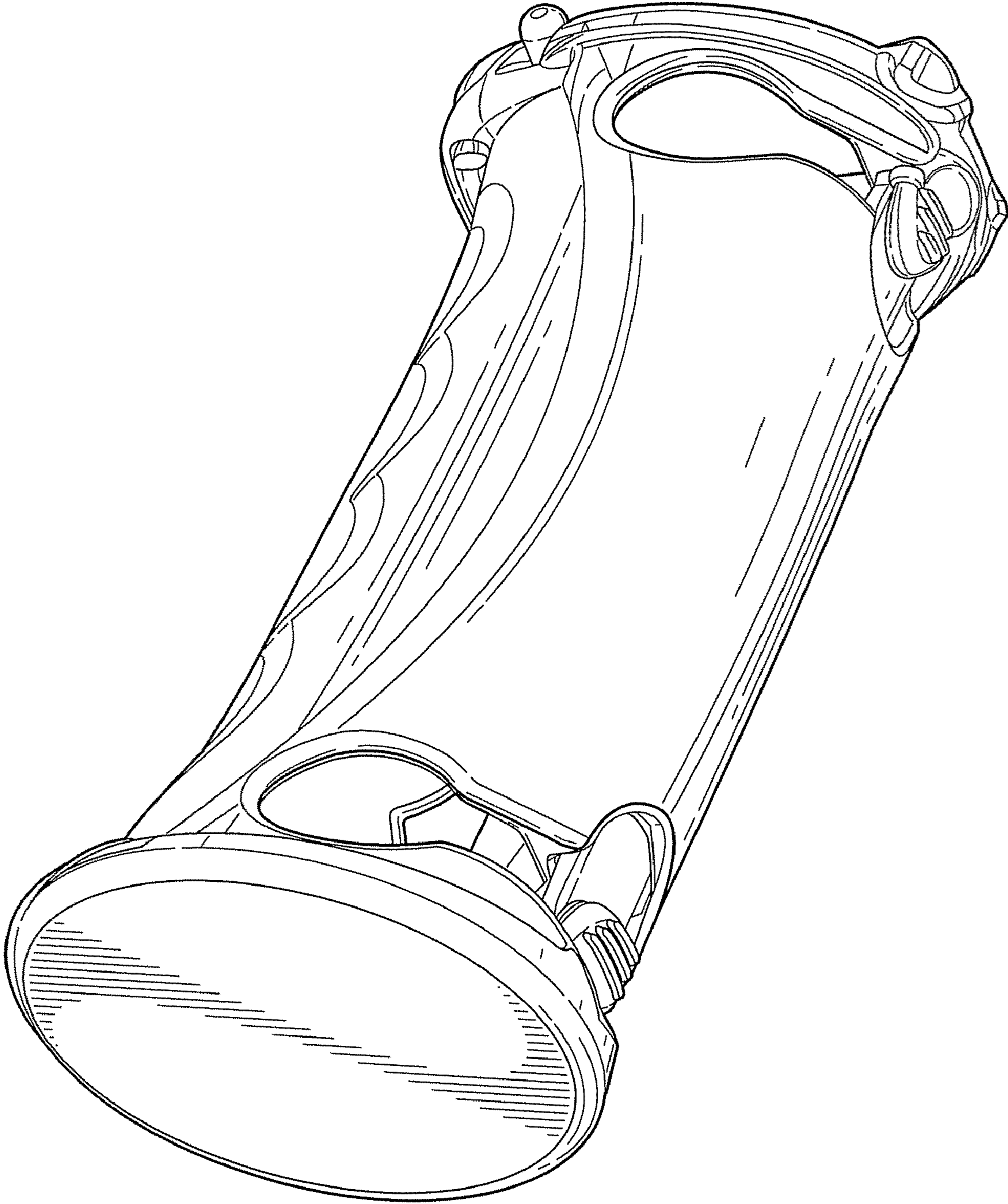


FIG. 6



FIG. 7

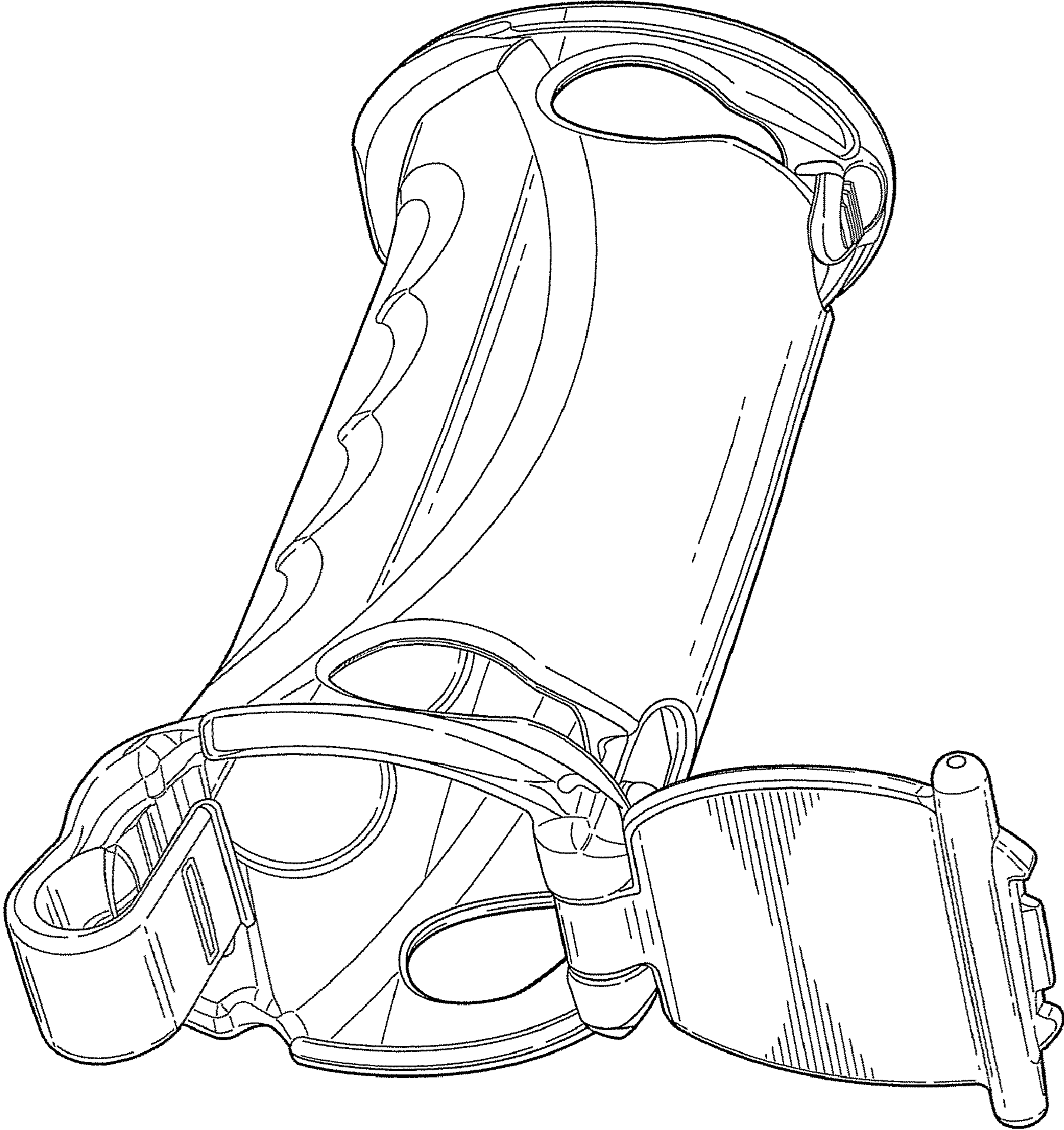


FIG. 8

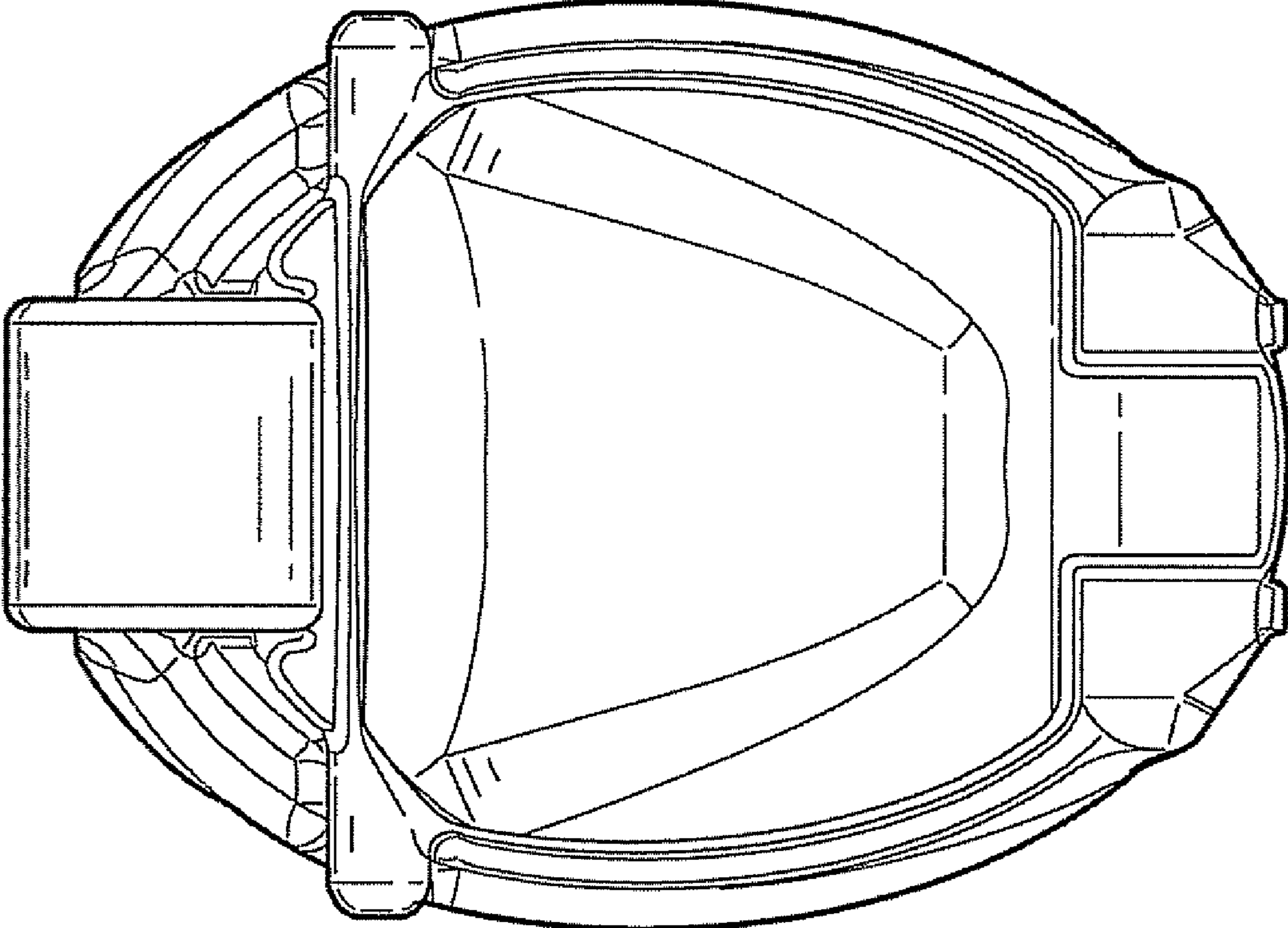


FIG. 9