



US00D623405S

(12) **United States Design Patent**  
**Nelson**

(10) **Patent No.:** **US D623,405 S**

(45) **Date of Patent:** **\*\* Sep. 14, 2010**

(54) **CARRY ASSEMBLY FOR A PORTABLE ELECTRONIC DEVICE**

*Primary Examiner*—Catherine R Oliver

(76) Inventor: **David Nelson**, 10 Westbrook La., Attleboro, MA (US) 02703

(57) **CLAIM**

The ornamental design for a carry assembly for a portable electronic device, as shown and described.

(\*\*) Term: **14 Years**

(21) Appl. No.: **29/348,685**

**DESCRIPTION**

(22) Filed: **Jan. 28, 2010**

(51) **LOC (9) Cl.** ..... **03-01**

(52) **U.S. Cl.** ..... **D3/218**

(58) **Field of Classification Search** ..... D3/218,  
D3/215, 219, 228–229, 226; 224/240–241,  
224/247, 250, 252, 269, 908–909, 194, 600;  
24/3.11, 3.12, 3.13; D8/395–396; 206/305,  
206/320

FIG. 1 is a front perspective view of the carry assembly for a portable electronic device showing my new design;

FIG. 2 is a front elevation view thereof;

FIG. 3 is a rear elevation view thereof;

FIG. 4 is a top plan view thereof;

FIG. 5 is a bottom plan view thereof;

FIG. 6 is a left side elevation view thereof;

FIG. 7 is a right side elevation view thereof;

FIG. 8 is a front perspective view with the device shown in use; and,

FIG. 9 is a left side elevation view thereof.

See application file for complete search history.

The broken line showing an example of the carry assembly with an inserted portable electronic device is for illustrative purposes only and forms no part of the claimed design.

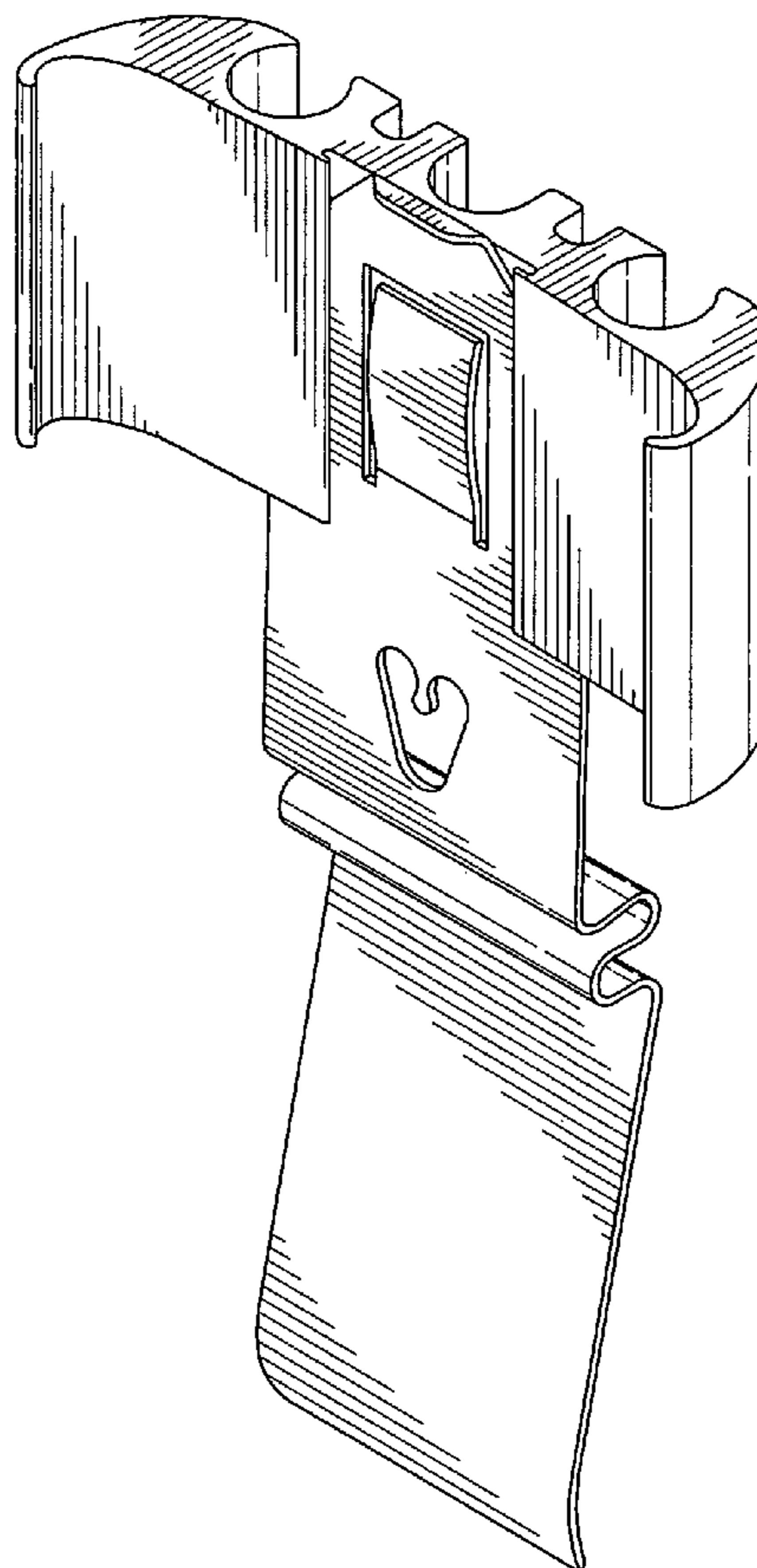
(56) **References Cited**

**U.S. PATENT DOCUMENTS**

- 5,320,261 A \* 6/1994 Andersen ..... 224/194
- D478,418 S \* 8/2003 Badillo et al. .... D3/218
- D617,093 S \* 6/2010 Pedersen et al. .... D3/218

\* cited by examiner

**1 Claim, 7 Drawing Sheets**



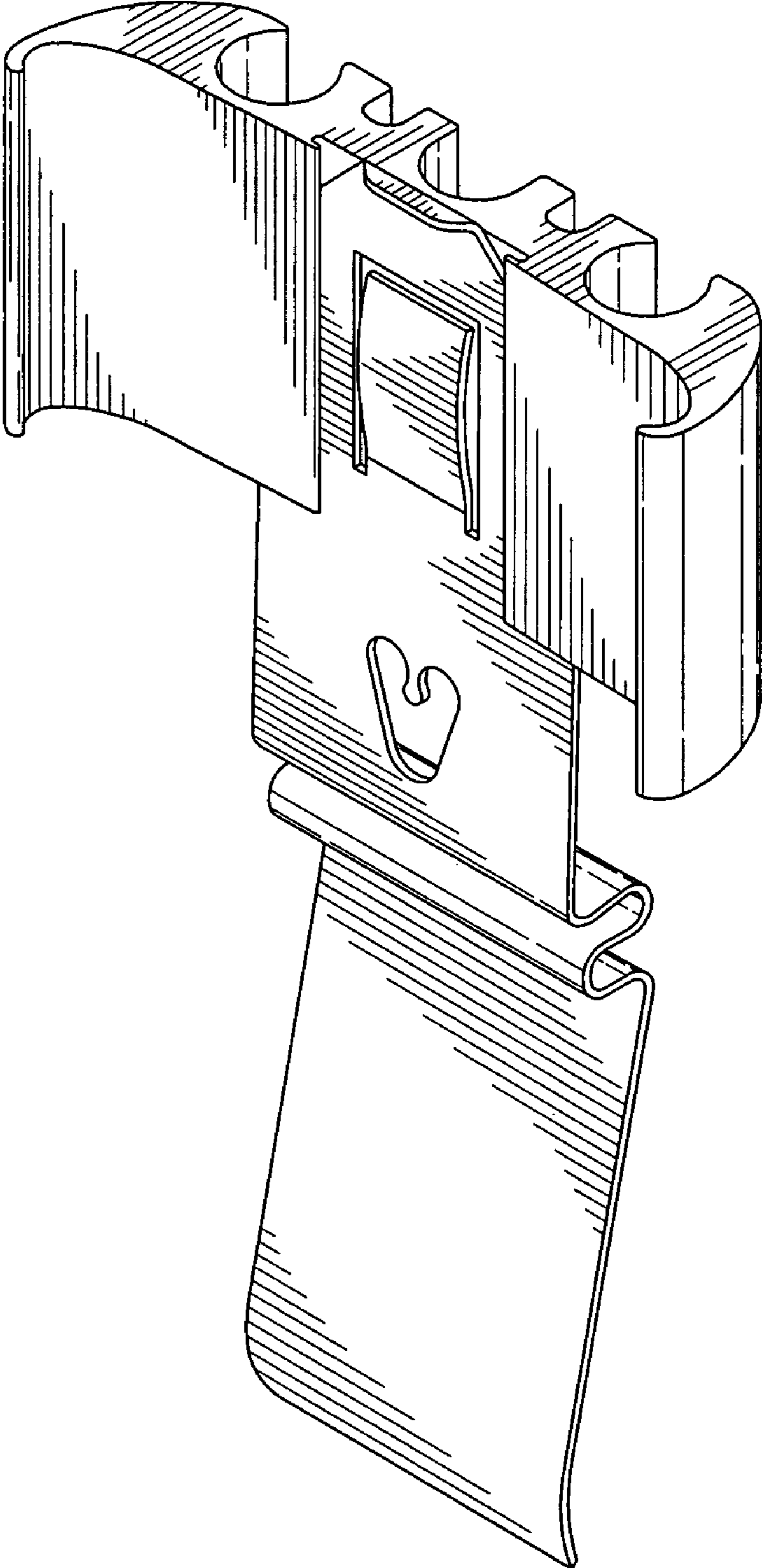


FIG. 1

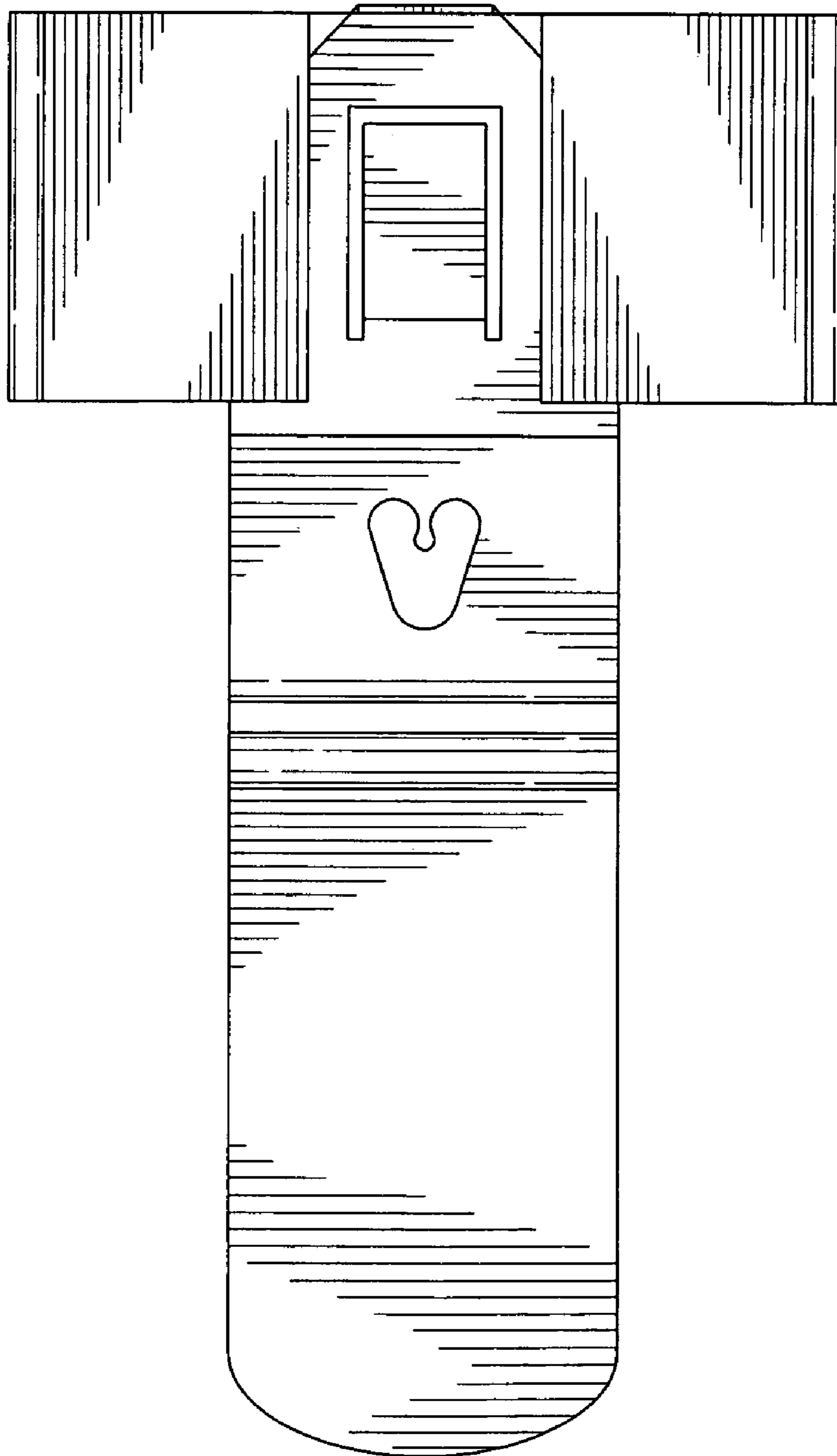


FIG. 2

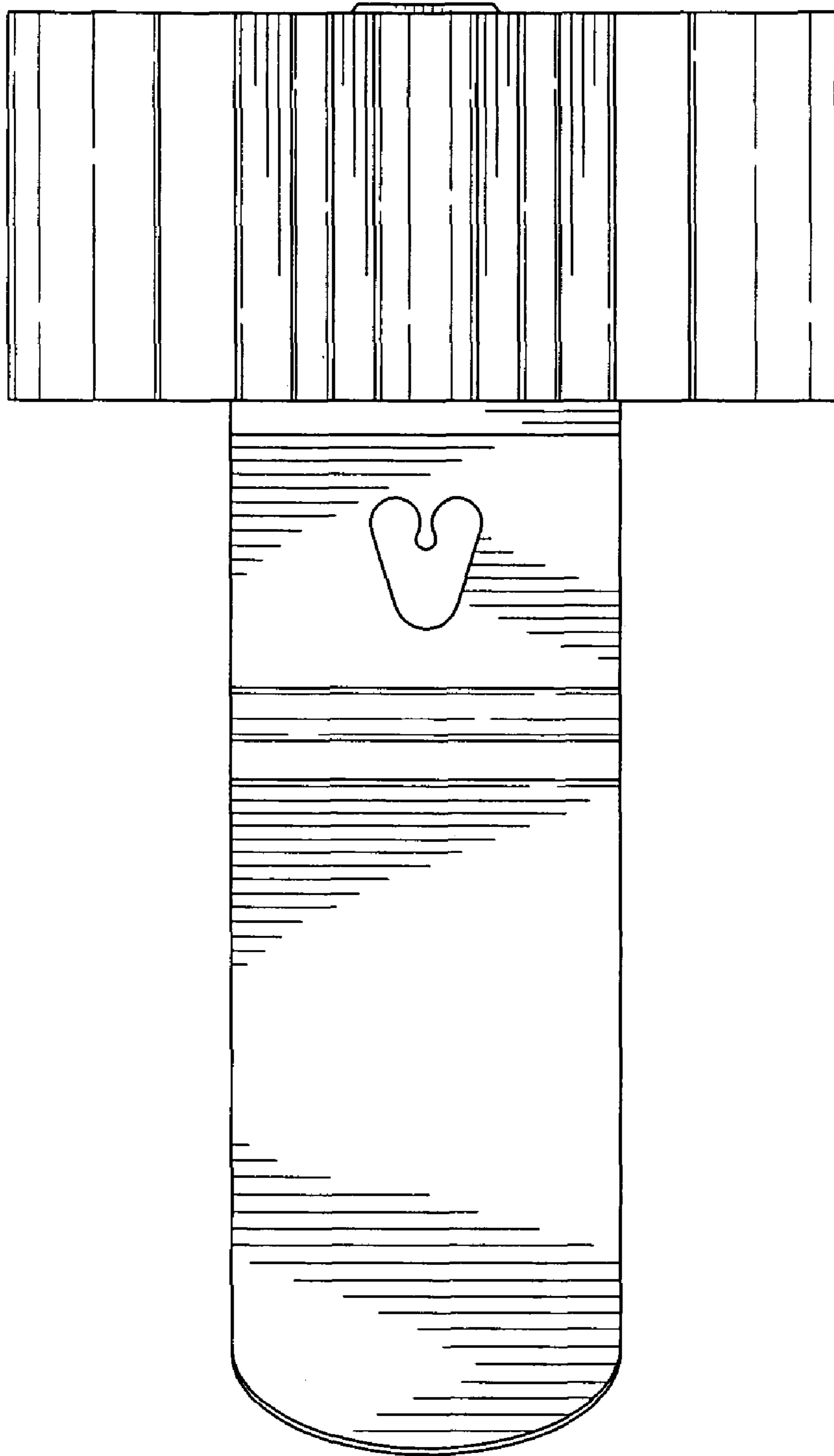


FIG. 3

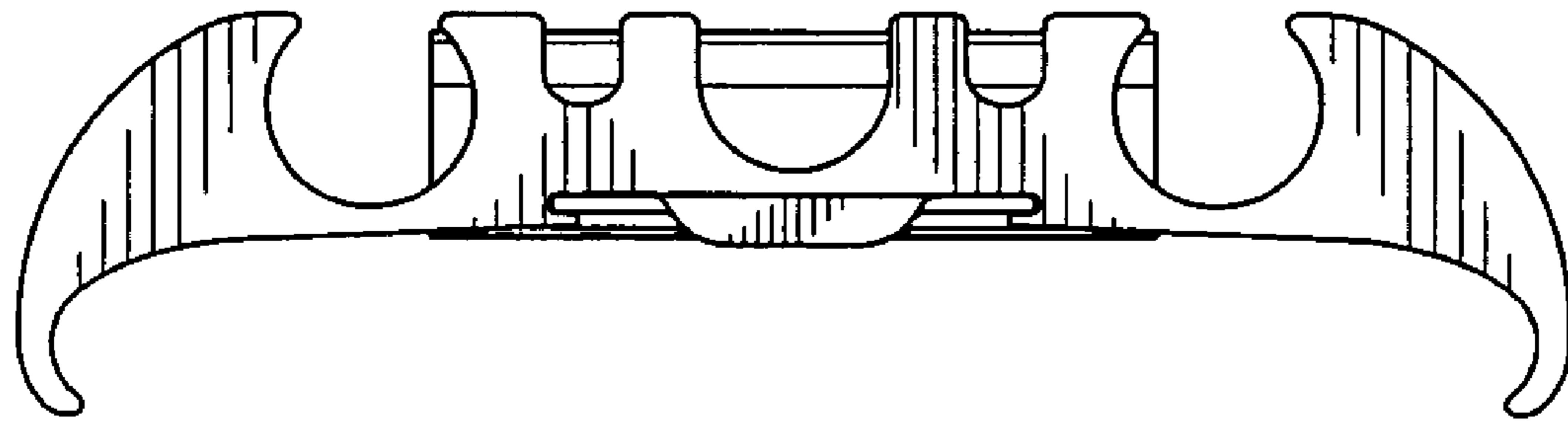


FIG. 4

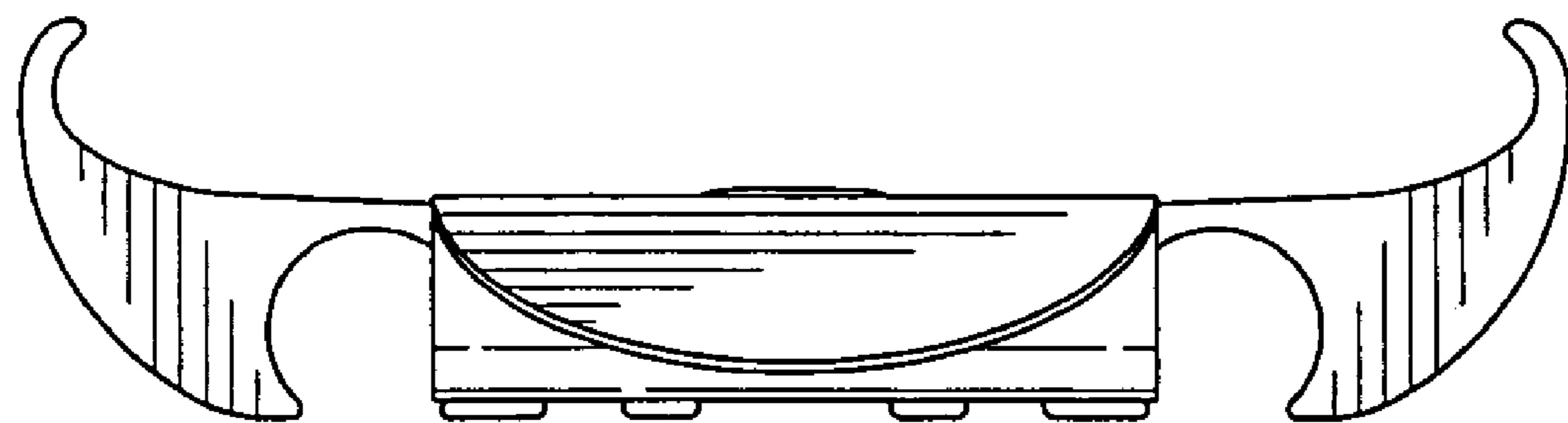


FIG. 5

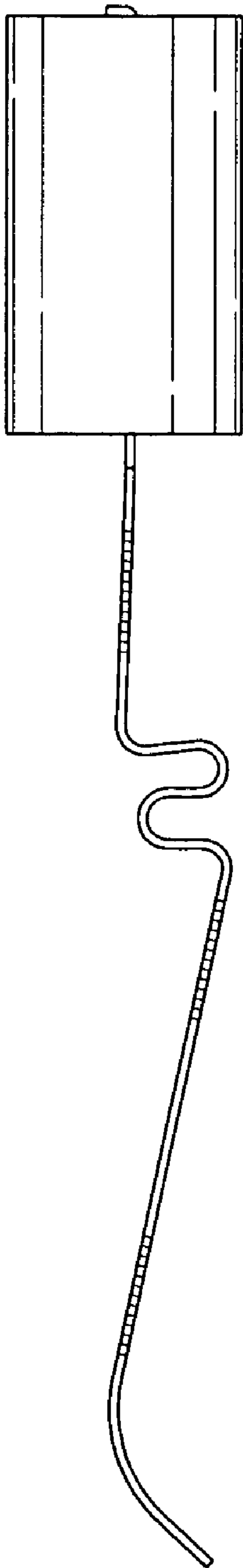


FIG. 6

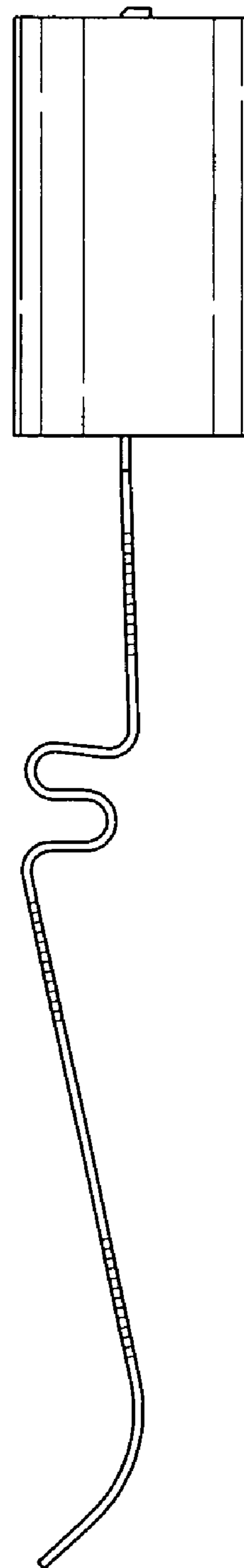


FIG. 7

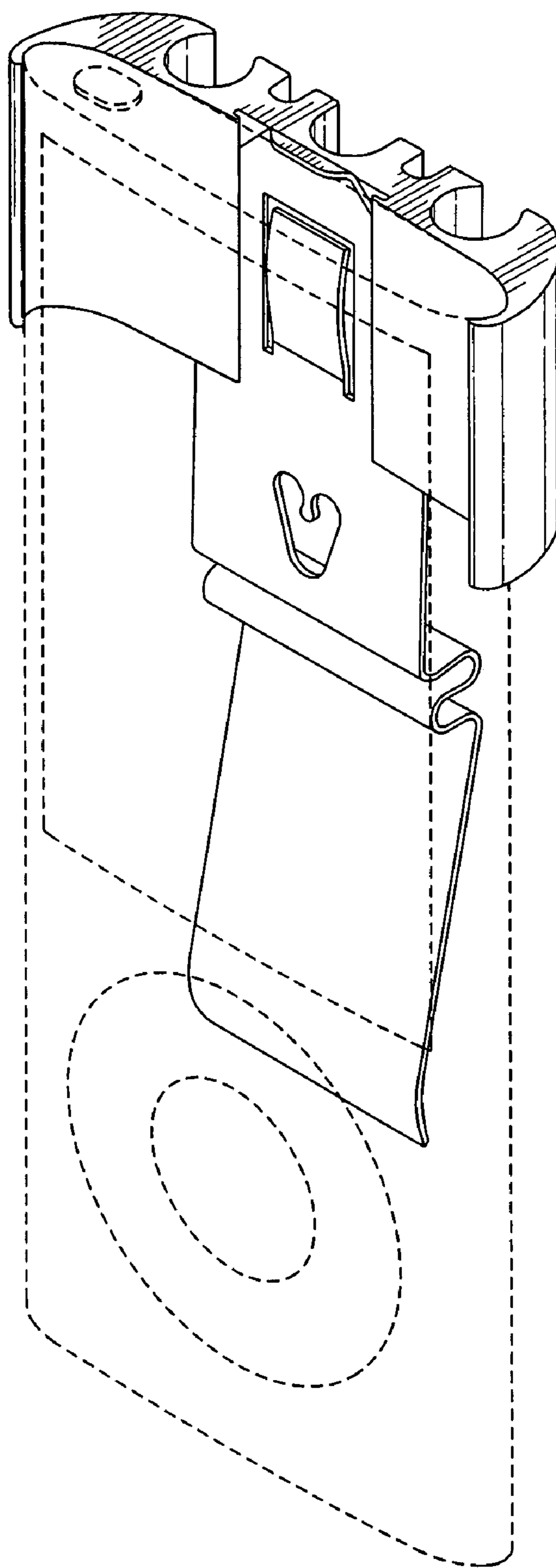


FIG. 8

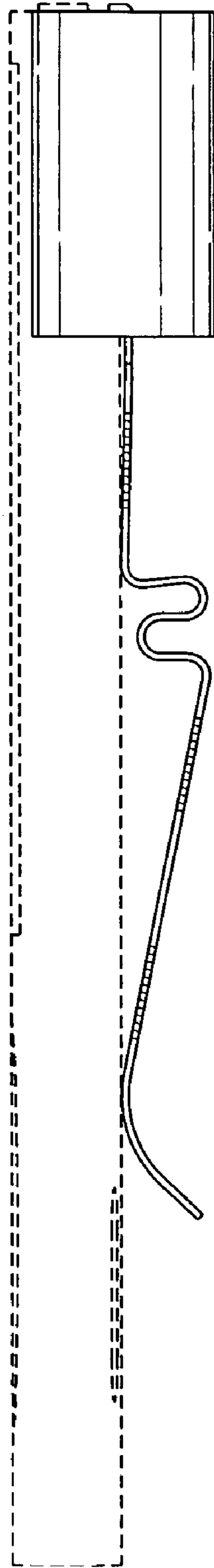


FIG. 9