



US00D623404S

(12) **United States Design Patent**  
**Andre et al.**

(10) **Patent No.:** **US D623,404 S**  
(45) **Date of Patent:** **\*\* Sep. 14, 2010**

(54) **ELECTRONIC DEVICE HOLDER**

(75) Inventors: **Bartley K. Andre**, Menlo Park, CA (US); **Daniel J. Coster**, San Francisco, CA (US); **Daniele De Iulius**, San Francisco, CA (US); **Richard P. Howarth**, San Francisco, CA (US); **Jonathan P. Ive**, San Francisco, CA (US); **Duncan Robert Kerr**, San Francisco, CA (US); **Shin Nishibori**, Portola Valley, CA (US); **Matthew Dean Rohrbach**, San Francisco, CA (US); **Peter Russell-Clarke**, San Francisco, CA (US); **Douglas B. Satzger**, Menlo Park, CA (US); **Calvin Q. Seid**, Palo Alto, CA (US); **Vincent Keane Seid**, legal representative, Los Gatos, CA (US); **Christopher J. Stringer**, Woodside, CA (US); **Eugene Antony Whang**, San Francisco, CA (US); **Rico Zorkendorfer**, San Francisco, CA (US)

(73) Assignee: **Apple Inc.**, Cupertino, CA (US)

(\*\*) Term: **14 Years**

(21) Appl. No.: **29/343,539**

(22) Filed: **Sep. 15, 2009**

**Related U.S. Application Data**

(62) Division of application No. 29/284,344, filed on Sep. 5, 2007, now Pat. No. Des. 607,198.

(51) **LOC (9) Cl.** ..... **03-01**

(52) **U.S. Cl.** ..... **D3/218**

(58) **Field of Classification Search** ..... D3/218, D3/215, 219, 220–223, 230, 201, 269; 224/219, 224/224, 269, 236, 240–241, 646, 666, 678, 224/901–904; D14/250–251, 253, 434; 455/90, 455/92; 206/305, 320; 379/455, 446  
See application file for complete search history.

(56) **References Cited**

**U.S. PATENT DOCUMENTS**

D306,654 S 3/1990 Brown  
4,913,326 A 4/1990 Echelson

(Continued)

**OTHER PUBLICATIONS**

U.S. Appl. No. 29/324,134, Andre et al., titled “Electronic Device Holder,” filed Sep. 5, 2008.

*Primary Examiner*—Catherine R Oliver  
(74) *Attorney, Agent, or Firm*—Sterne, Kessler, Goldstein & Fox PLLC

(57) **CLAIM**

The ornamental design for a electronic device holder, as shown and described.

**DESCRIPTION**

The electronic device shown in FIGS. 8 and 9 may for example correspond to the electronic device shown and described in U.S. Design patent application Ser. No. 29/284,183, titled “Electronic Device,” filed Aug. 31, 2007, now U.S. Design Pat. No. D597,556, the disclosure of which is incorporated herein in its entirety by reference thereto.

FIG. 1 is a perspective view of an electronic device holder showing our new design;

FIG. 2 is a front view thereof;

FIG. 3 is a rear view thereof;

FIG. 4 is a top view thereof;

FIG. 5 is a bottom view thereof;

FIG. 6 is a right side view thereof;

FIG. 7 is a left side view thereof;

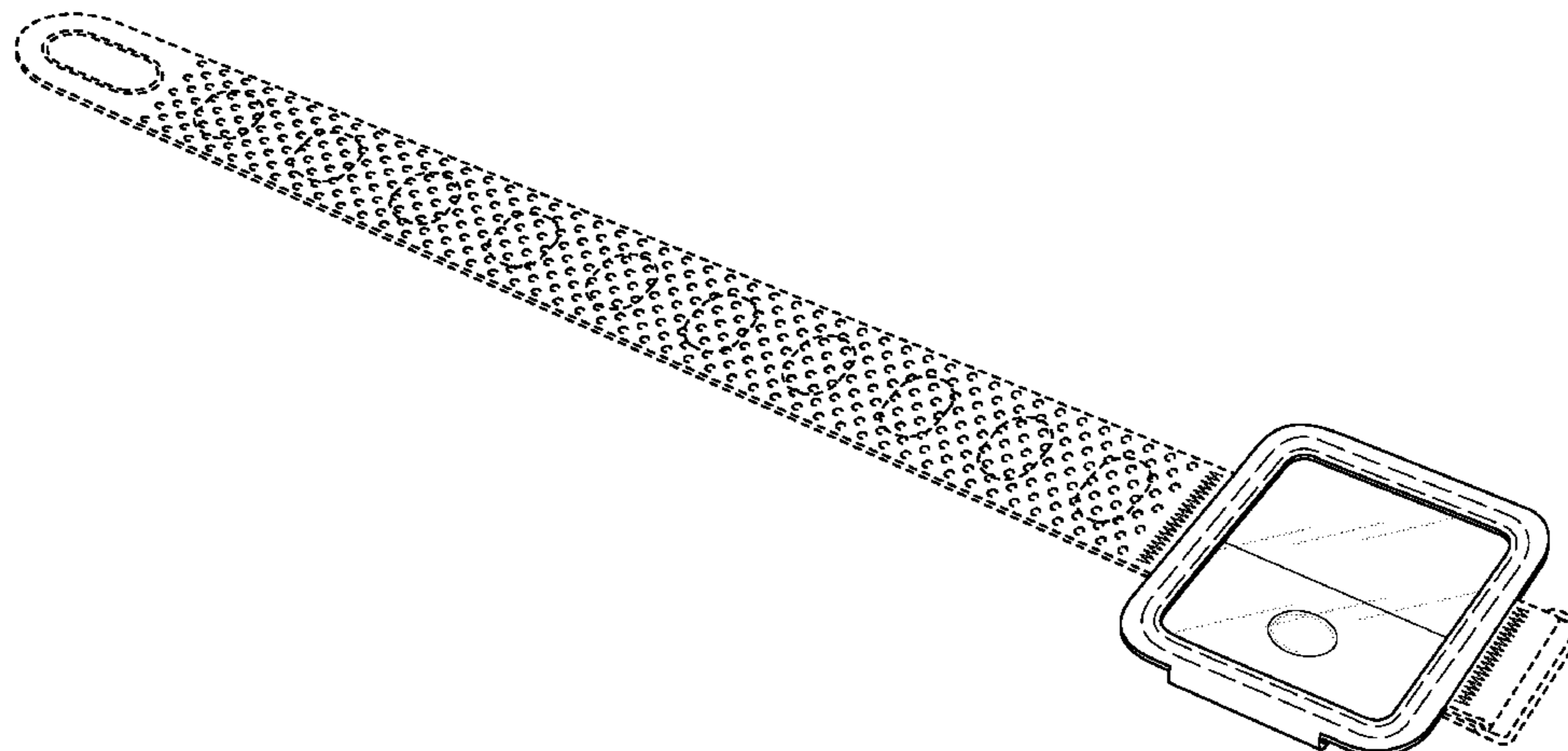
FIG. 8 is another front view thereof in an environment in which it may be used, showing an electronic device (in phantom) being inserted into the electronic device holder;

FIG. 9 is another front view thereof with the electronic device inserted therein; and,

FIG. 10 is a front view of an alternative embodiment of the electronic device holder of FIGS. 1-9; all other views being the same as FIGS. 1-9.

The broken lines in the Figures show portions of the electronic device holder and an electronic device which form no part of the claimed design.

**1 Claim, 8 Drawing Sheets**



# US D623,404 S

Page 2

---

## U.S. PATENT DOCUMENTS

5,511,702 A	4/1996	Yang	D503,038 S	3/2005	Tabata
D370,120 S	5/1996	Teraoka	D504,224 S	4/2005	Sexson
D375,197 S	11/1996	Laherty	D506,058 S	6/2005	Sexson
D426,701 S	6/2000	Edwards et al.	D526,777 S	8/2006	Andre et al.
D431,250 S	9/2000	Richter	D529,280 S	10/2006	Krieger et al.
6,321,957 B1	11/2001	Rossi	D537,623 S	3/2007	Dennis et al.
D455,255 S	4/2002	Zeigler	D541,042 S	4/2007	Andre et al.
D474,594 S	5/2003	Casparian	D548,457 S	8/2007	Reinerio
D476,149 S	6/2003	Andre et al.	2003/0019894 A1	1/2003	Caldana
			2006/0076375 A1	4/2006	Bhakta

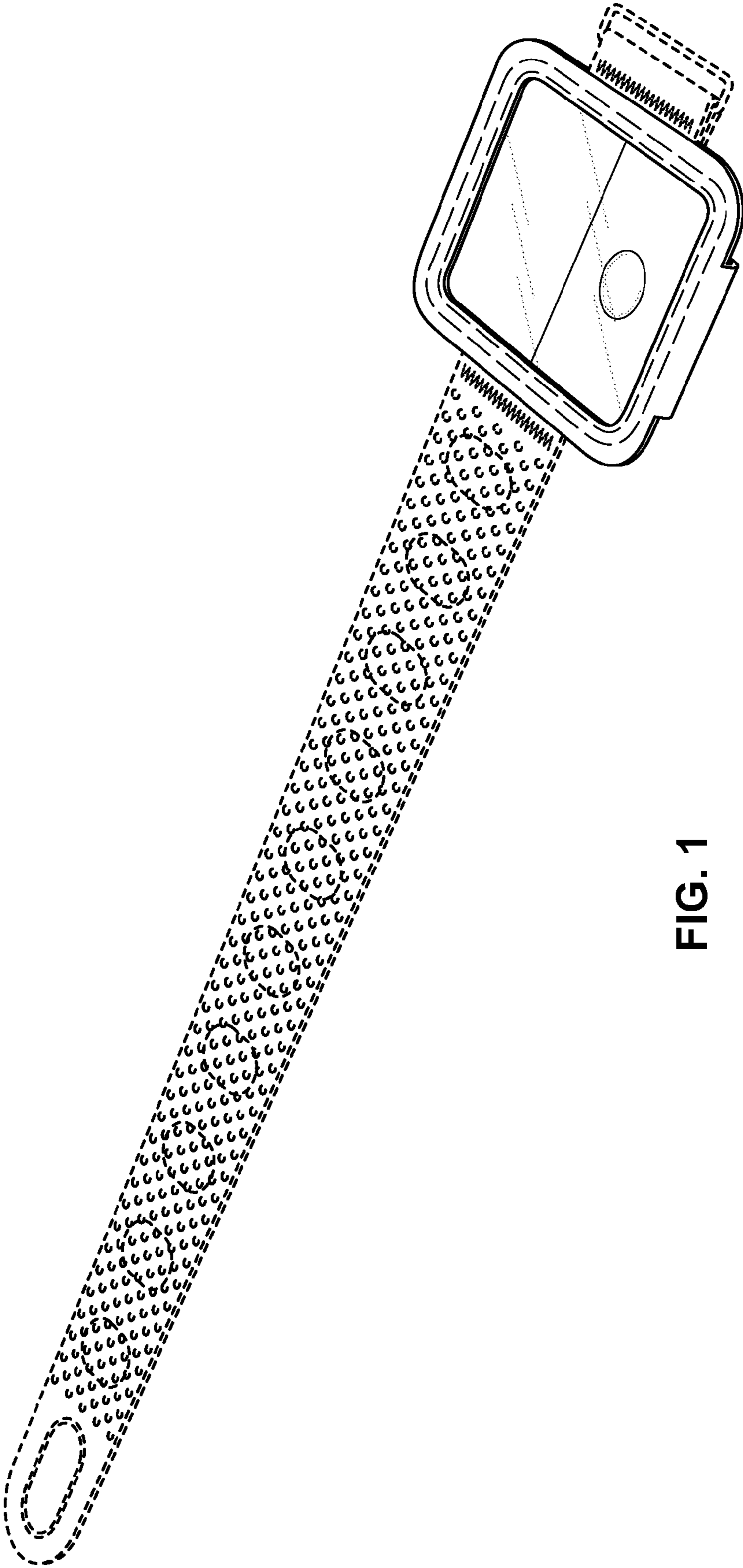


FIG. 1

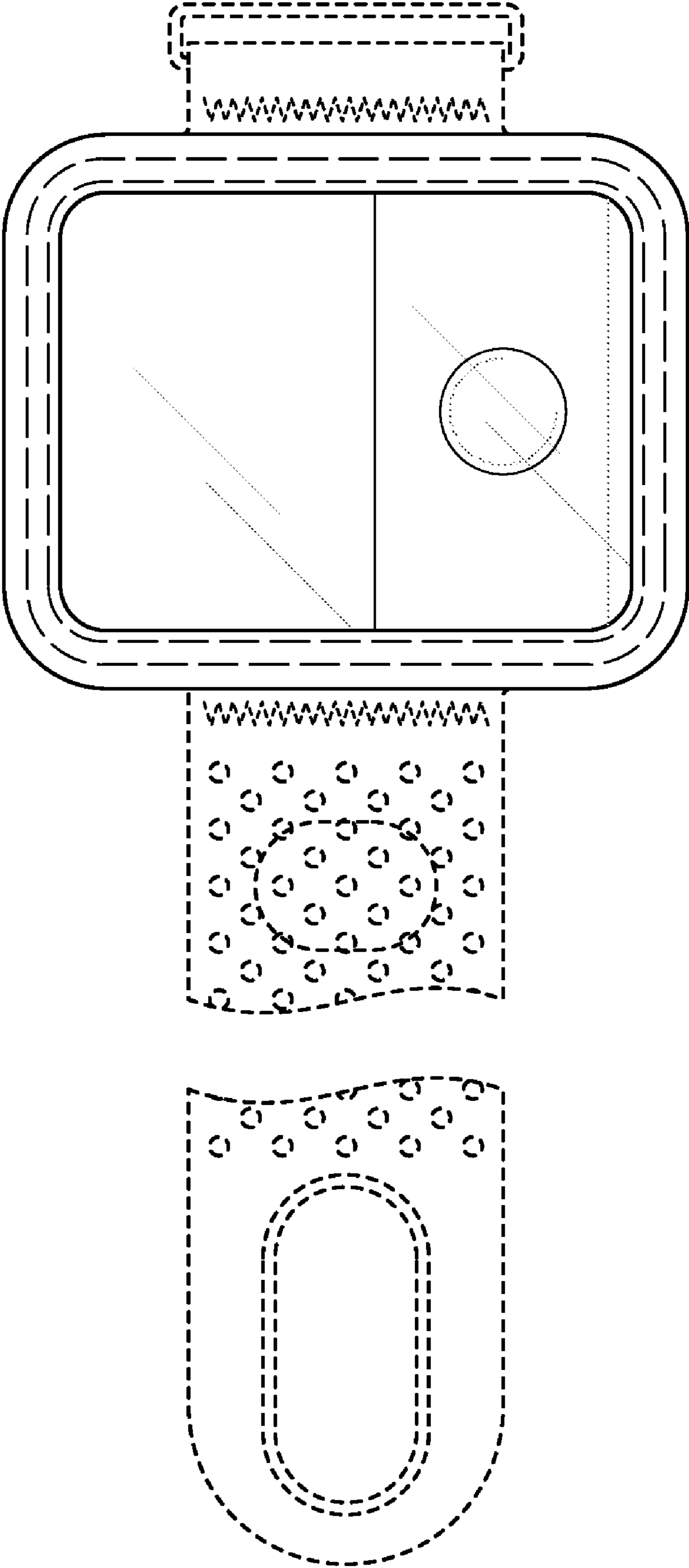


FIG. 2

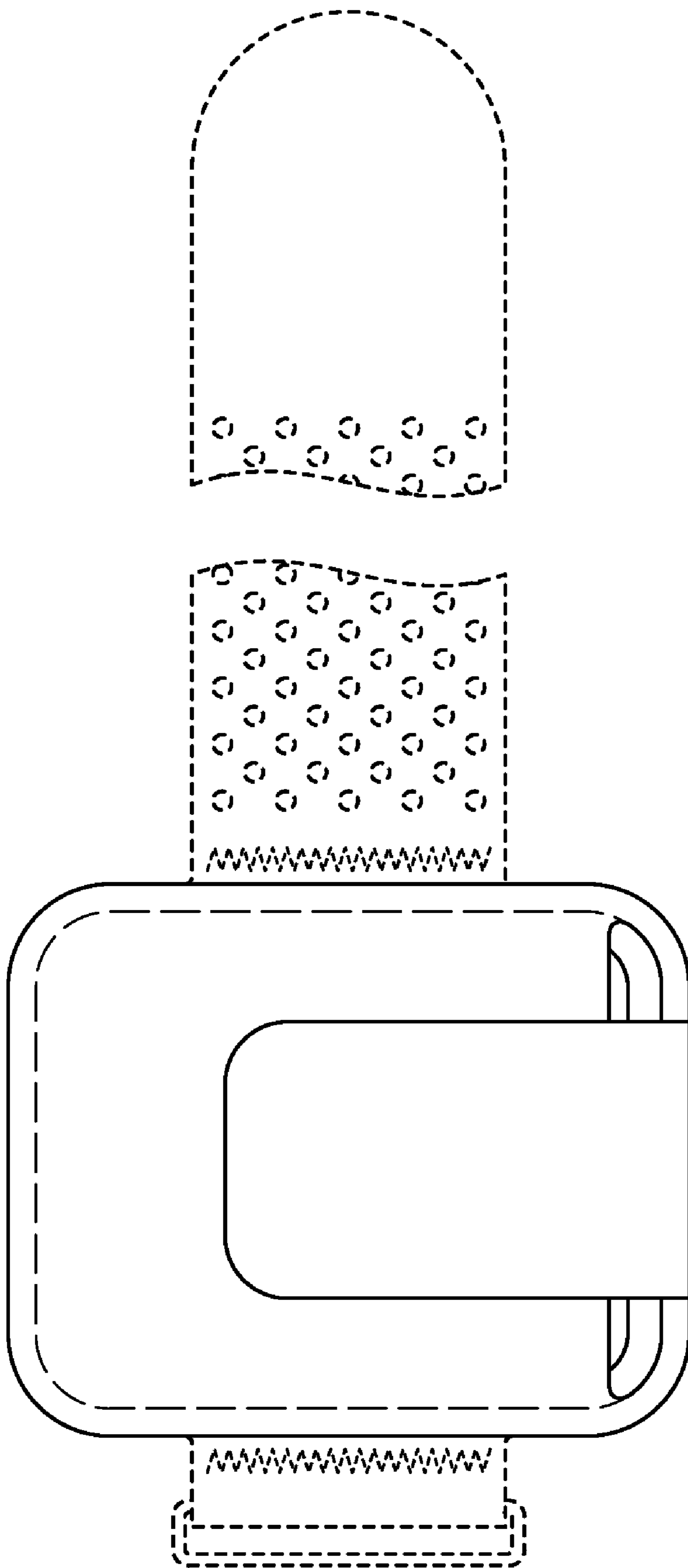


FIG. 3

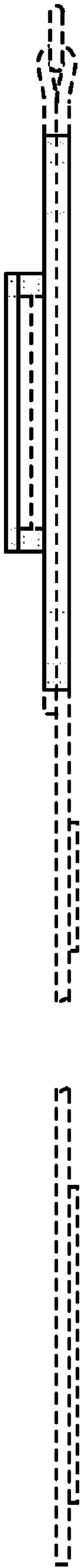


FIG. 4

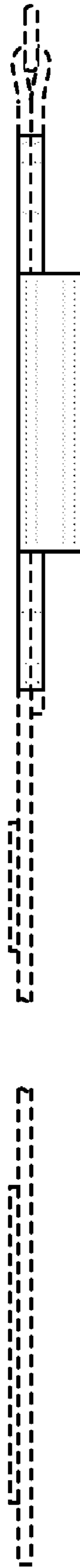
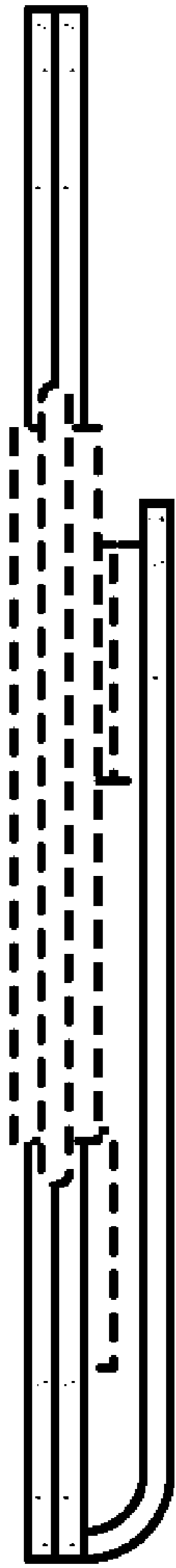
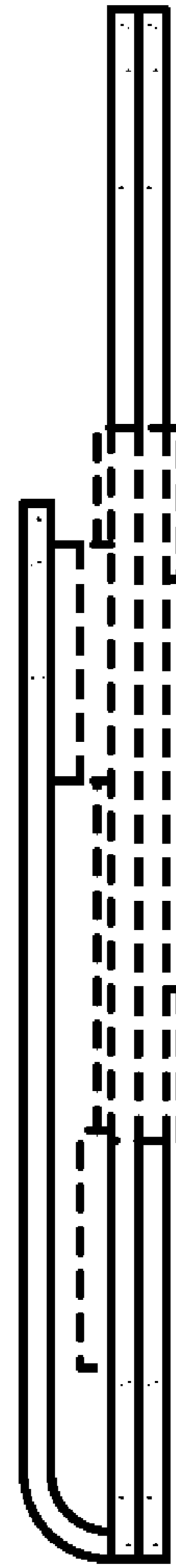


FIG. 5





**FIG. 6**



**FIG. 7**

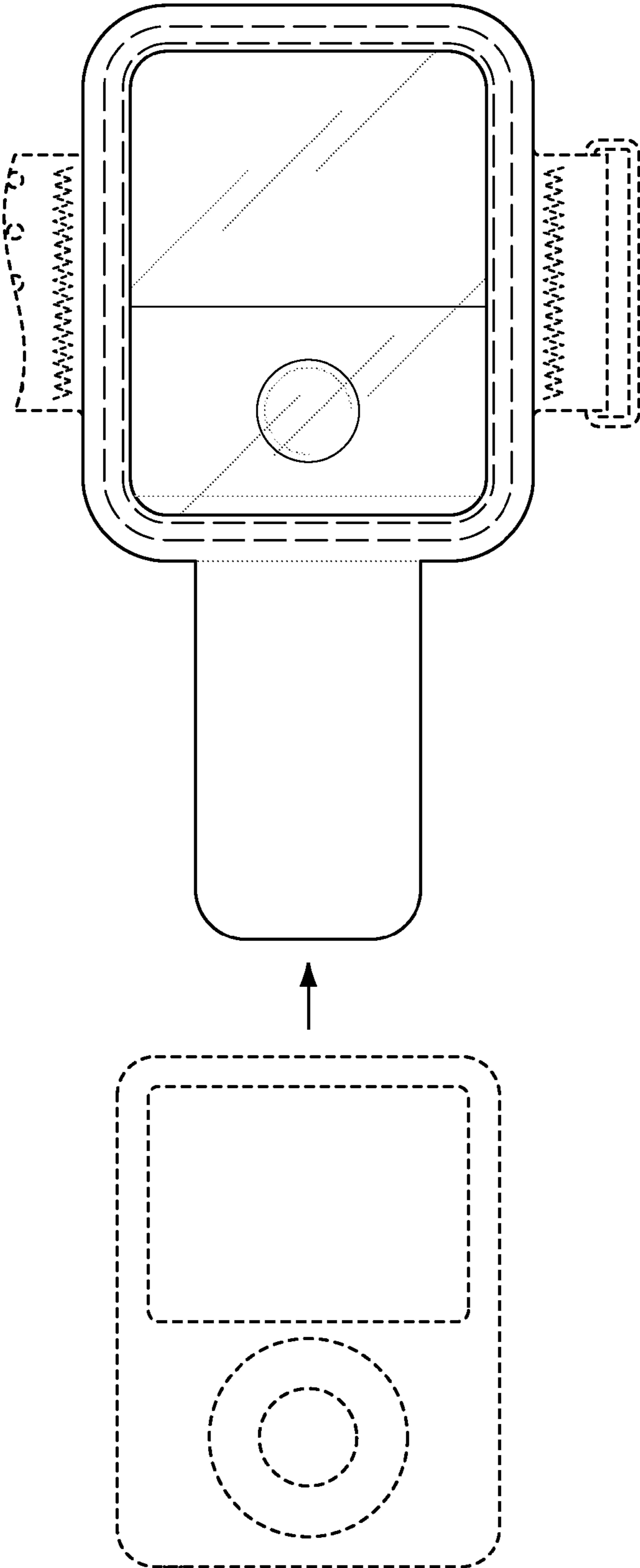
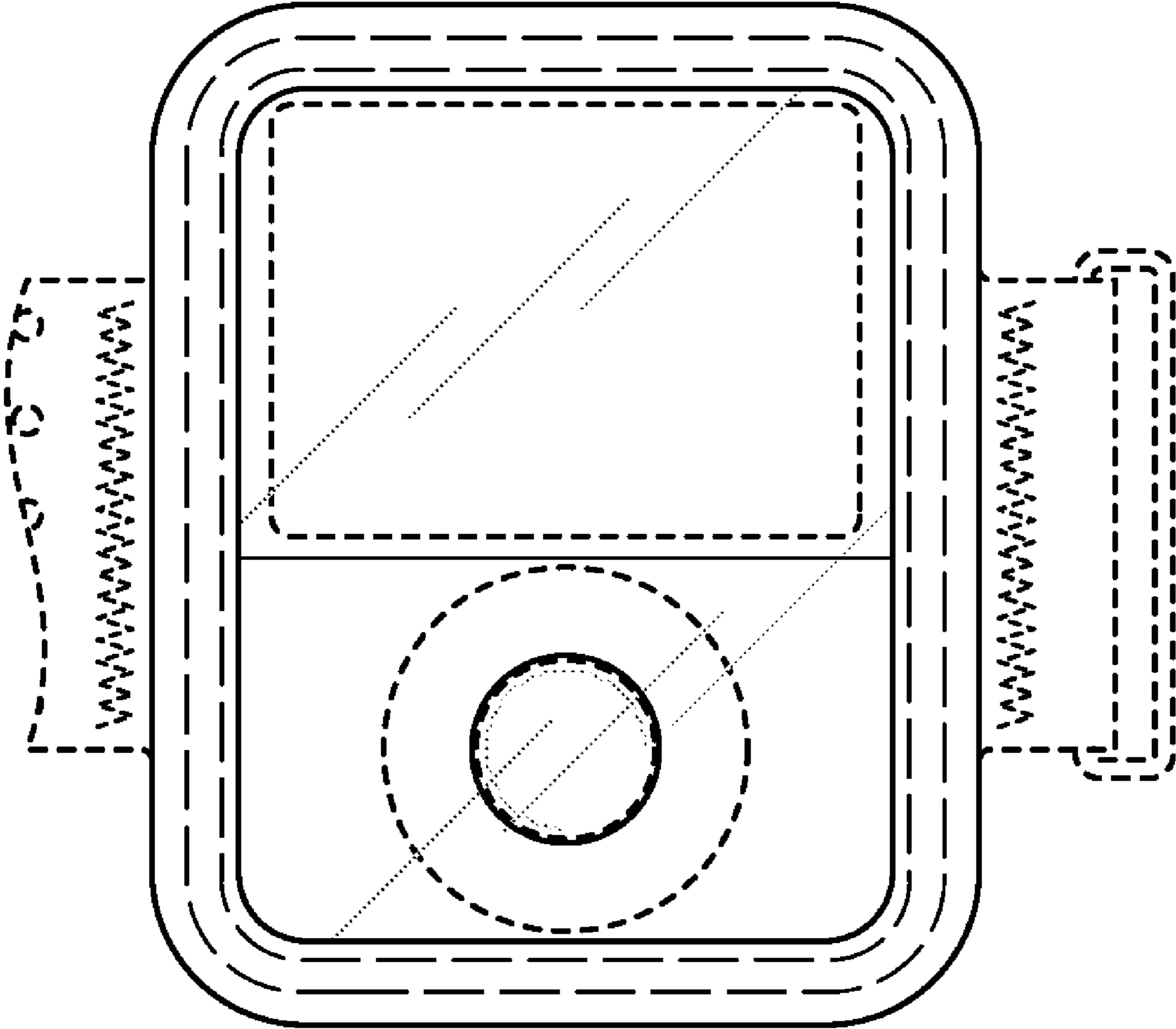


FIG. 8





**FIG. 9**

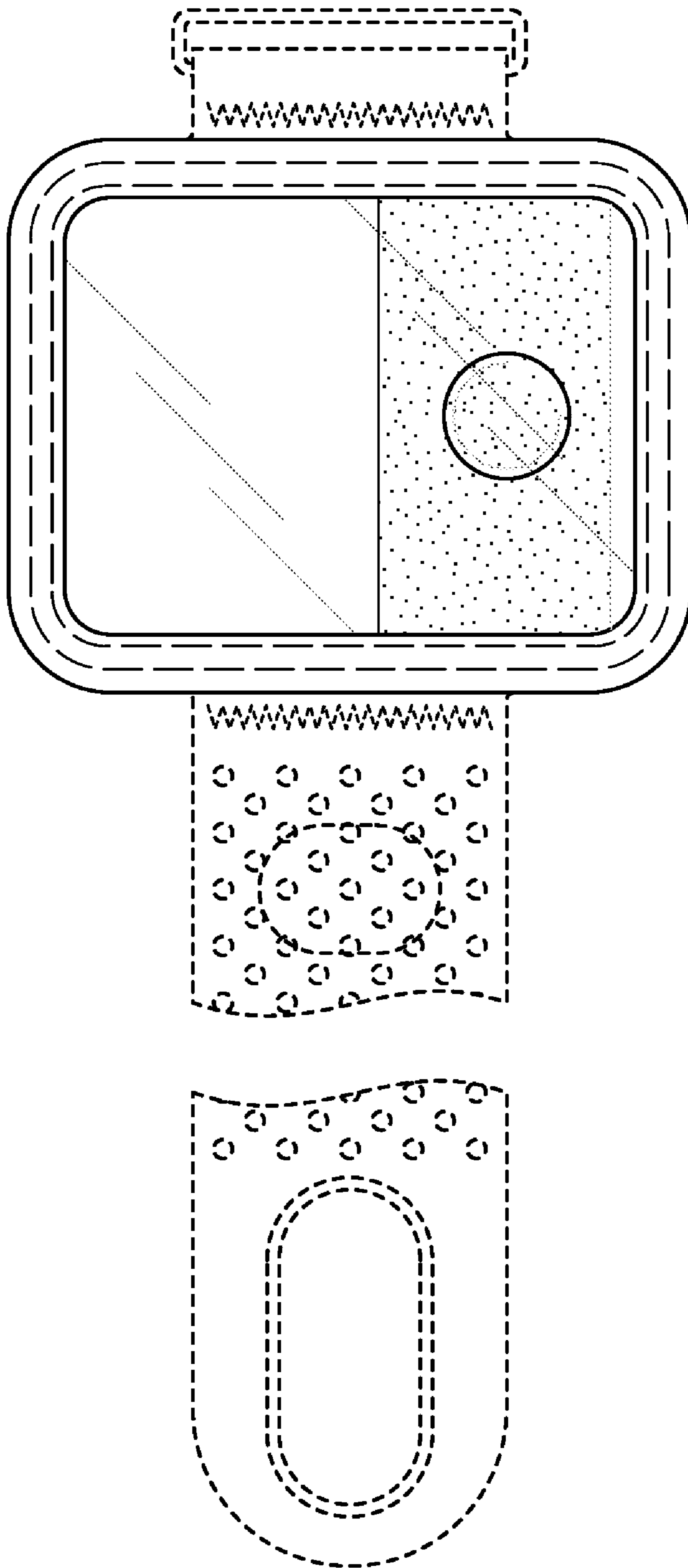


FIG. 10