



US00D623395S

(12) **United States Design Patent**  
**Liao**

(10) **Patent No.:** **US D623,395 S**

(45) **Date of Patent:** **\*\* Sep. 14, 2010**

(54) **UMBRELLA HOLDER**

D574,144 S \* 8/2008 Ortiz-Gavin ..... D3/10  
2002/0179130 A1\* 12/2002 Ko ..... 135/39

(75) Inventor: **Gordon Liao**, Yung Kang (TW)

\* cited by examiner

(73) Assignee: **Unique Product & Design Co., Ltd.**,  
Tainan Hsien (TW)

*Primary Examiner*—Doris Clark

(74) *Attorney, Agent, or Firm*—Alan Kamrath; Kamrath &  
Associates PA

(\*\*) Term: **14 Years**

(21) Appl. No.: **29/328,556**

(57) **CLAIM**

(22) Filed: **Nov. 26, 2008**

The ornamental design for an umbrella holder, as shown and  
described.

(51) **LOC (9) Cl.** ..... **03-03**

(52) **U.S. Cl.** ..... **D3/10**

(58) **Field of Classification Search** ..... D3/5,  
D3/10, 12, 13, 16, 17, 6, 14; 135/15.1, 23,  
135/20.1, 20.3, 25.31, 33.7, 39, 40, 25.01,  
135/21, 16, 44, 98, 99; 248/145.6, 146; D8/395  
See application file for complete search history.

**DESCRIPTION**

FIG. 1 is a perspective view of an umbrella holder showing  
my new design;

FIG. 2 is a front elevational view thereof;

FIG. 3 is a rear elevational view thereof;

FIG. 4 is a left side elevational view thereof;

FIG. 5 is a right side elevational view thereof;

FIG. 6 is a top plan view thereof; and,

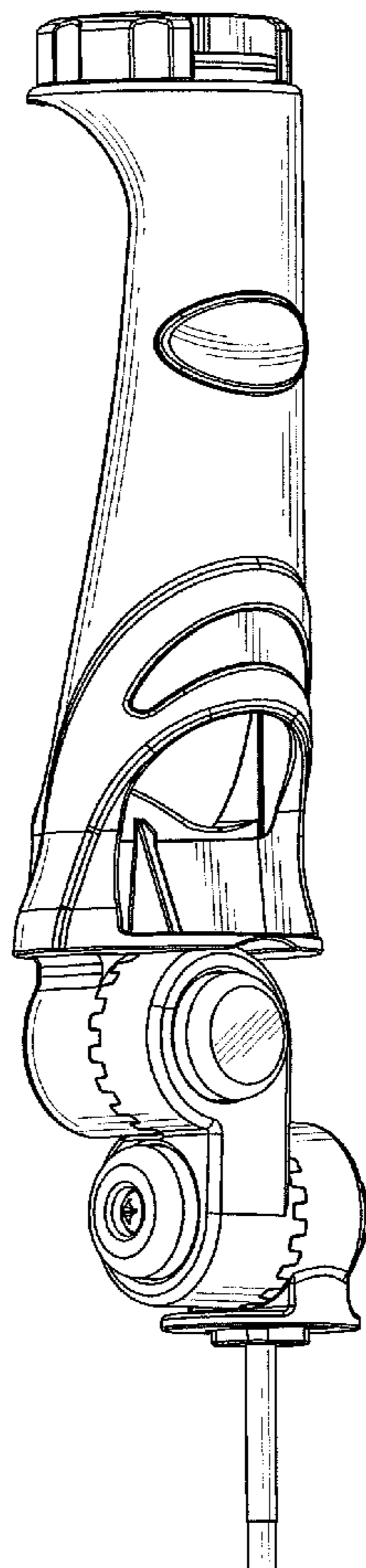
FIG. 7 is a bottom plan view thereof.

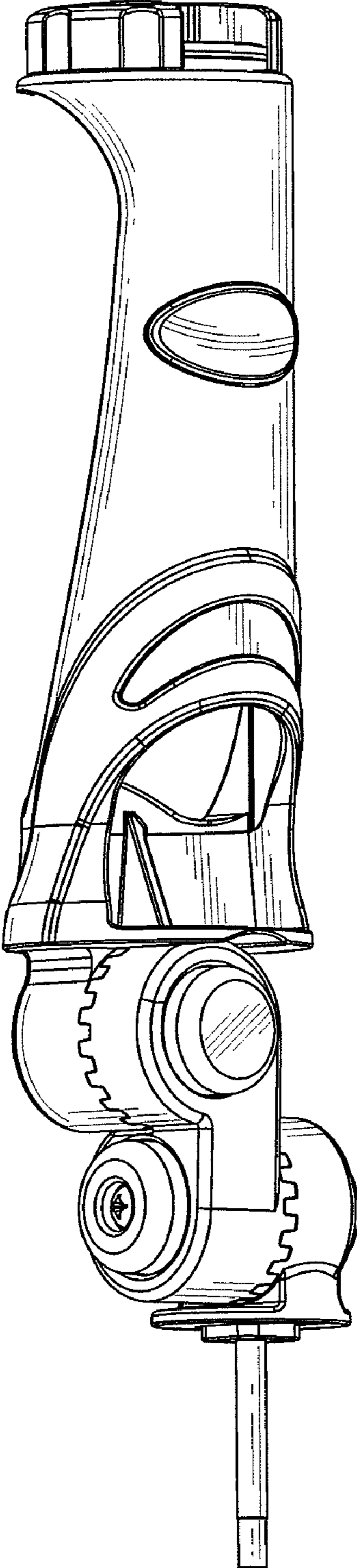
(56) **References Cited**

**U.S. PATENT DOCUMENTS**

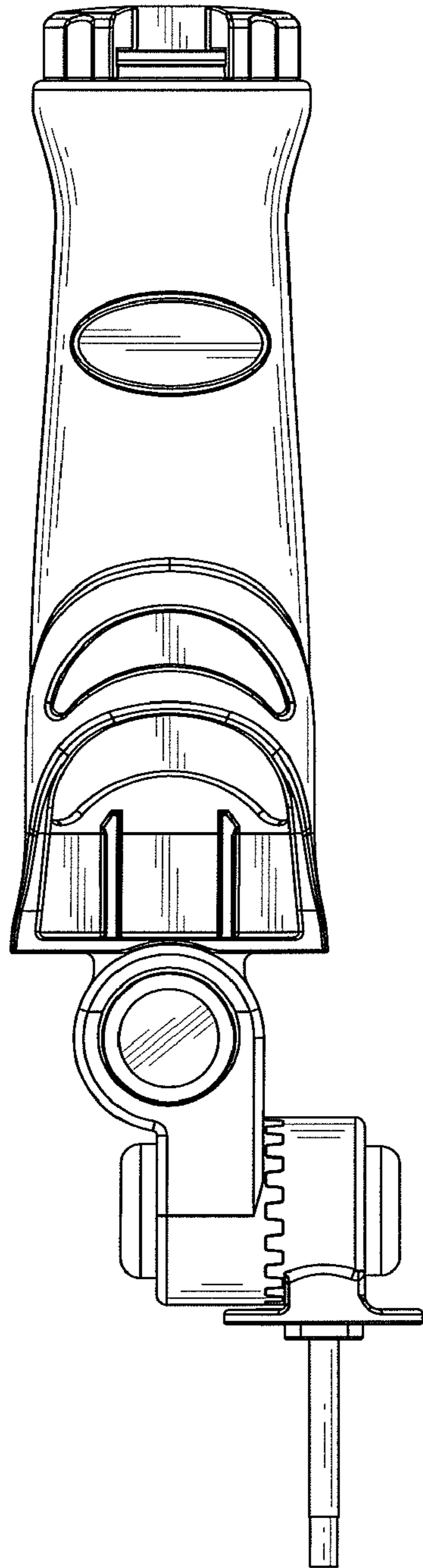
D330,630 S \* 11/1992 Loden ..... D3/10  
6,223,759 B1 \* 5/2001 Flippin, Jr. .... 135/34.2  
D471,702 S \* 3/2003 You ..... D3/12

**1 Claim, 4 Drawing Sheets**

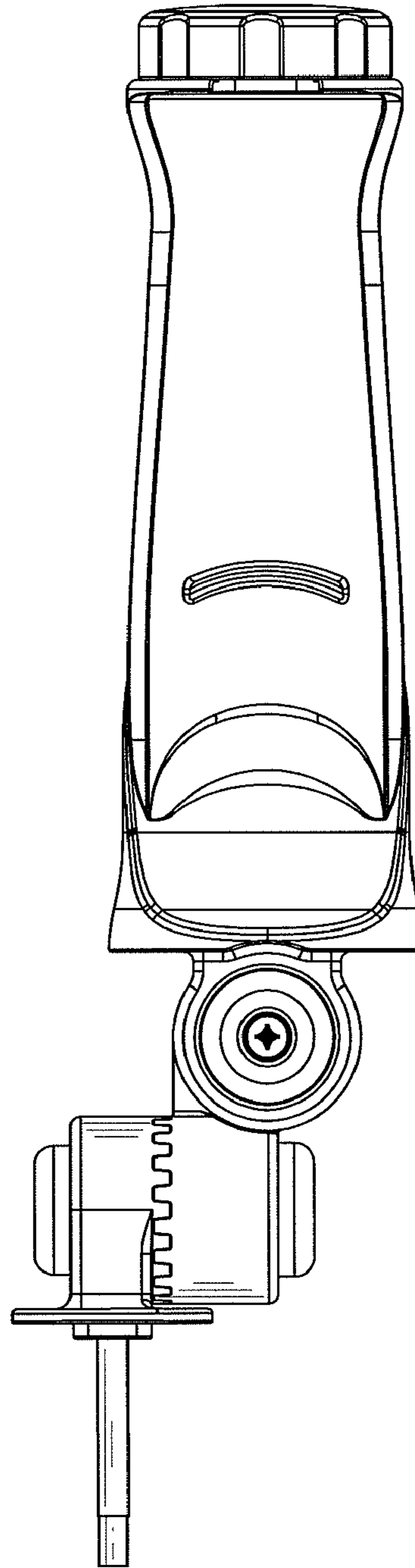




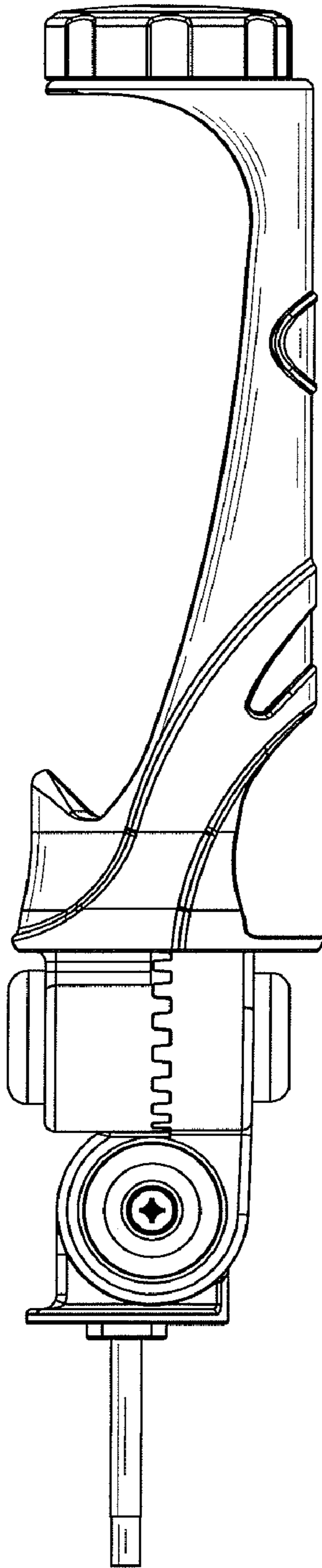
*FIG. 1*



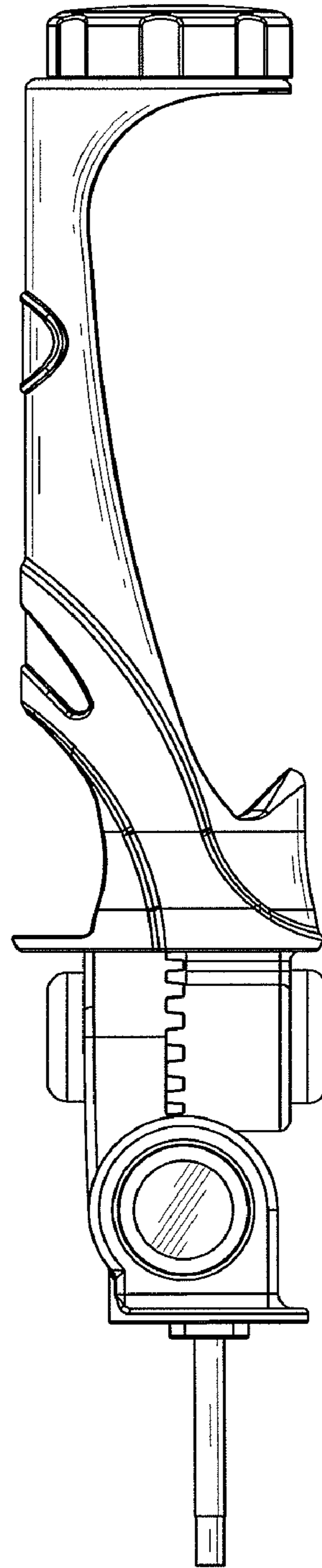
*FIG. 2*



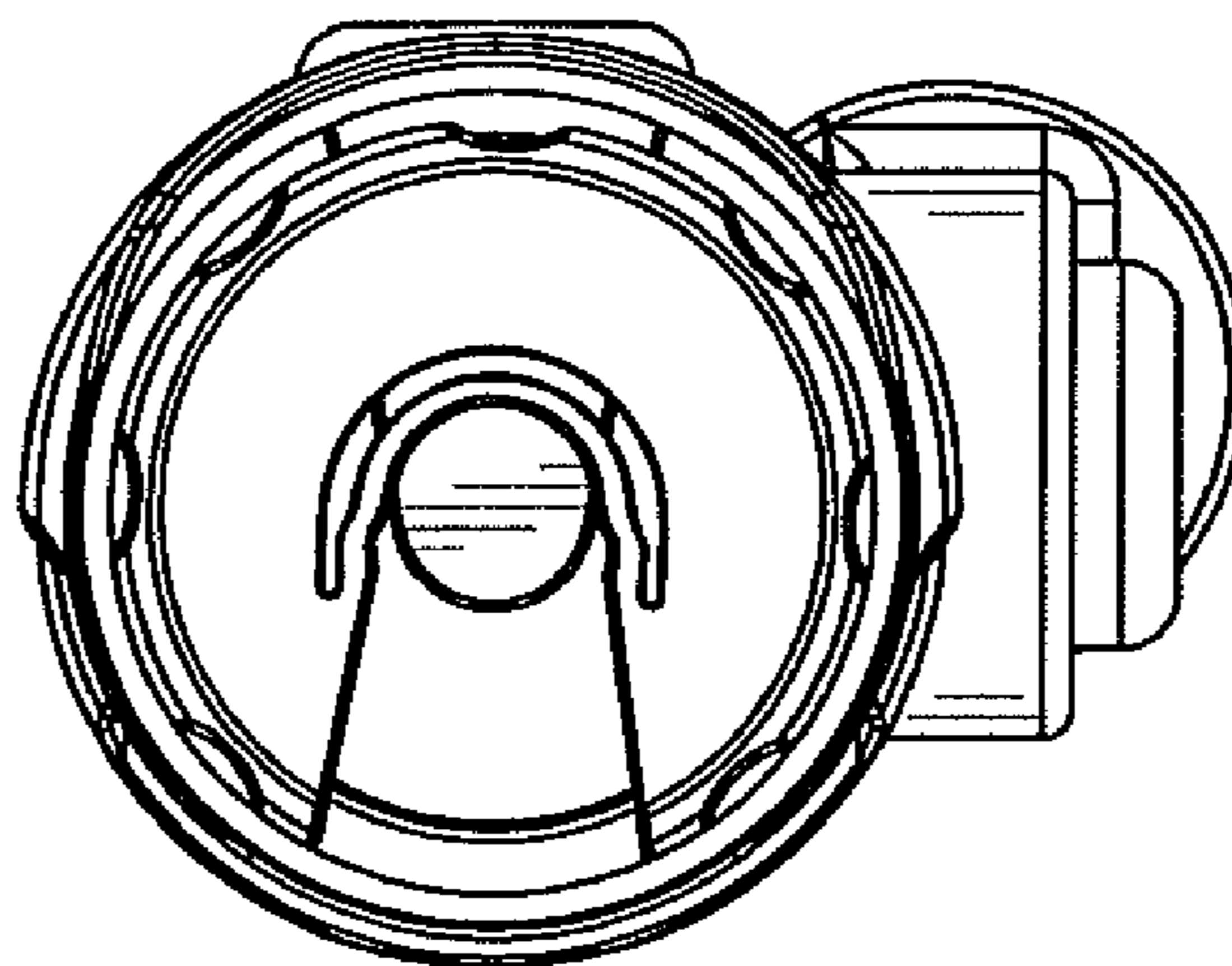
*FIG. 3*



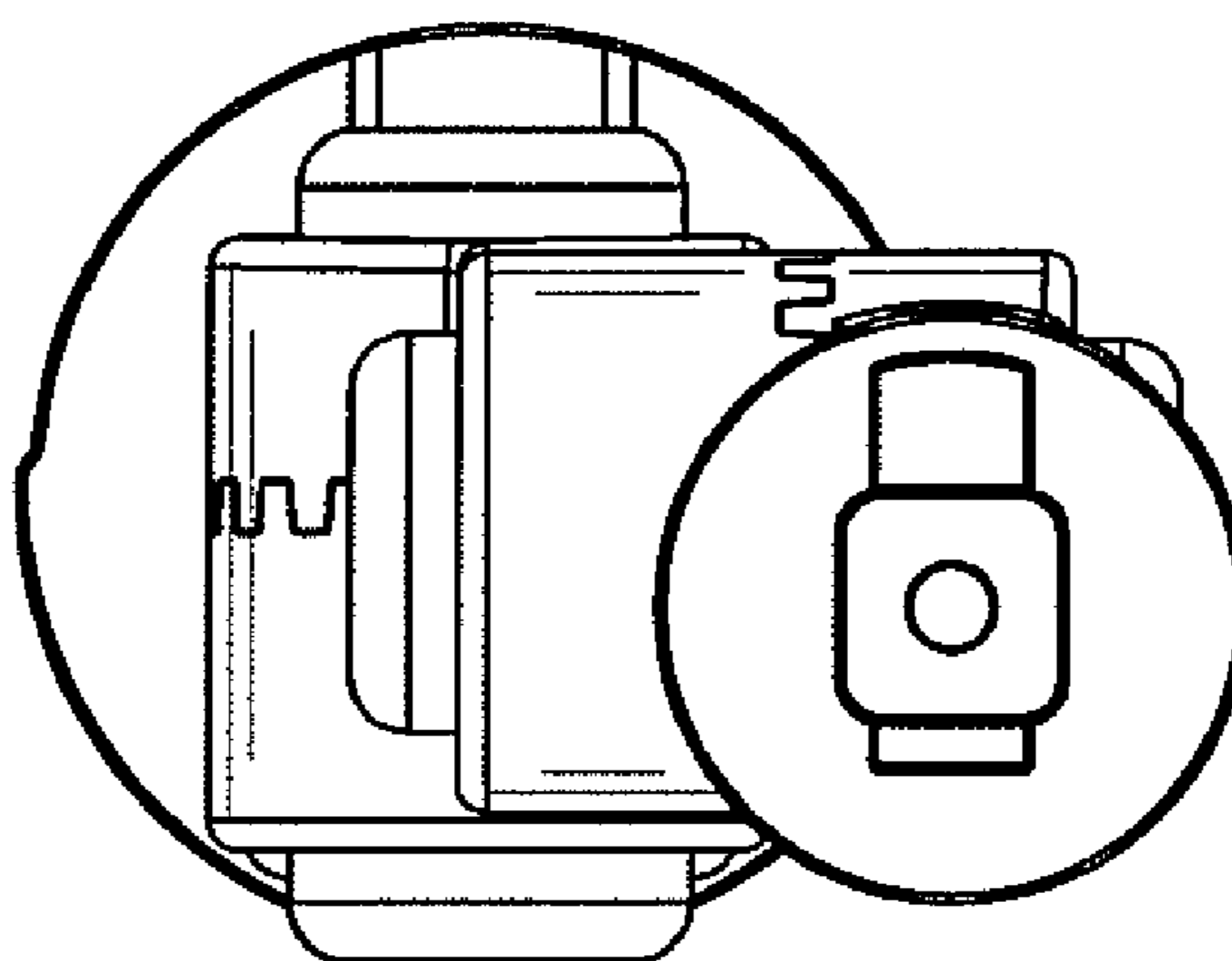
*FIG. 4*



*FIG. 5*



*FIG. 6*



*FIG. 7*