



US00D623394S

(12) **United States Design Patent**
Pressley

(10) **Patent No.:** **US D623,394 S**

(45) **Date of Patent:** **** Sep. 14, 2010**

(54) **CANE COVER**

(76) **Inventor:** **Gloria Pressley**, 3818 Penton St.,
Jacksonville, FL (US) 32209

(**) **Term:** **14 Years**

(21) **Appl. No.:** **29/324,155**

(22) **Filed:** **Sep. 8, 2008**

(51) **LOC (9) Cl.** **03-03**

(52) **U.S. Cl.** **D3/10**

(58) **Field of Classification Search** D3/5-17;
D12/130, 133; 135/65-73, 76-85
See application file for complete search history.

(56) **References Cited**

U.S. PATENT DOCUMENTS

4,027,687	A	6/1977	McGowan	
4,099,535	A	7/1978	Hubachek	
D256,681	S *	9/1980	Green	D3/7
D259,371	S *	6/1981	Boehm	D3/7
D262,413	S *	12/1981	Boehm	D3/7
D345,461	S *	3/1994	Hickey	D3/7
5,582,196	A	12/1996	Hae et al.	
D478,404	S *	8/2003	Wardlaw	D1/106

D515,308	S *	2/2006	Smith	D3/7
7,007,704	B2 *	3/2006	Luckstead	135/65
D540,027	S	4/2007	Sussman	
D595,501	S *	7/2009	Sawada	D3/11

* cited by examiner

Primary Examiner—T. Chase Nelson

Assistant Examiner—Anhdao Doan

(74) *Attorney, Agent, or Firm*—Lawrence J. Gibney, Jr.

(57) **CLAIM**

The ornamental design for a cane cover, as shown and described.

DESCRIPTION

FIG. 1 is a perspective elevational view of a cane cover showing my new design;

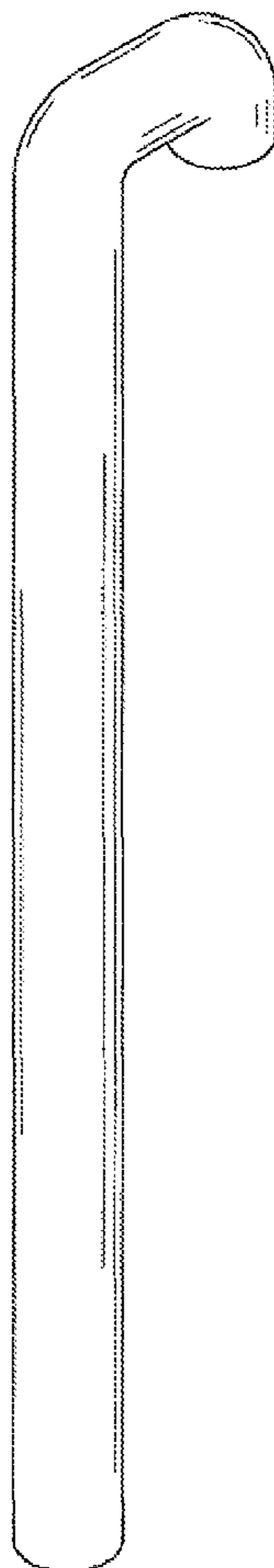
FIG. 2 is a front elevational view of the device thereof;

FIG. 3 is a bottom plan view thereof; and,

FIG. 4 is an isometric view thereof.

The broken lines in the FIGS. 3 and 4 represent an unclaimed environment. The broken lines form no part of the claimed design.

1 Claim, 2 Drawing Sheets



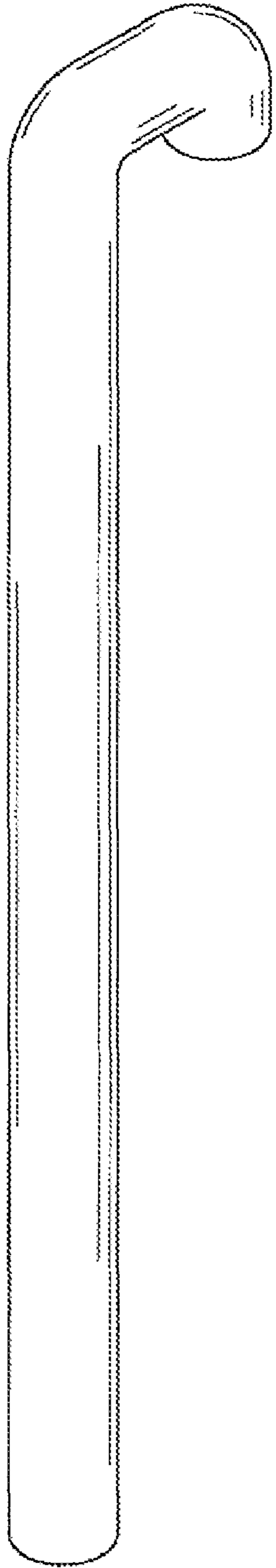


FIG. 1

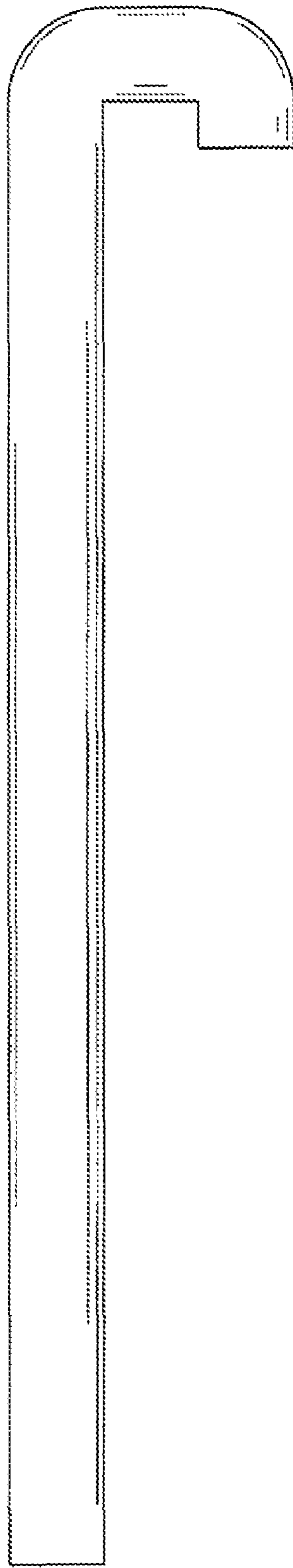


FIG. 2

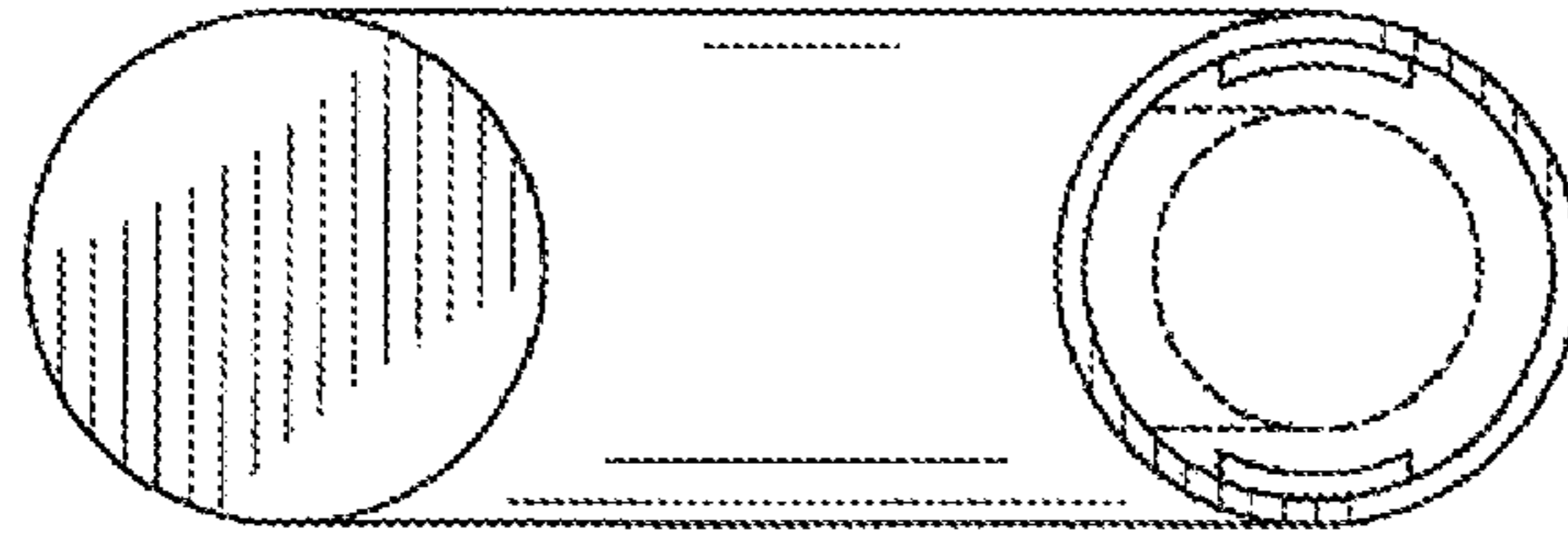


FIG. 3

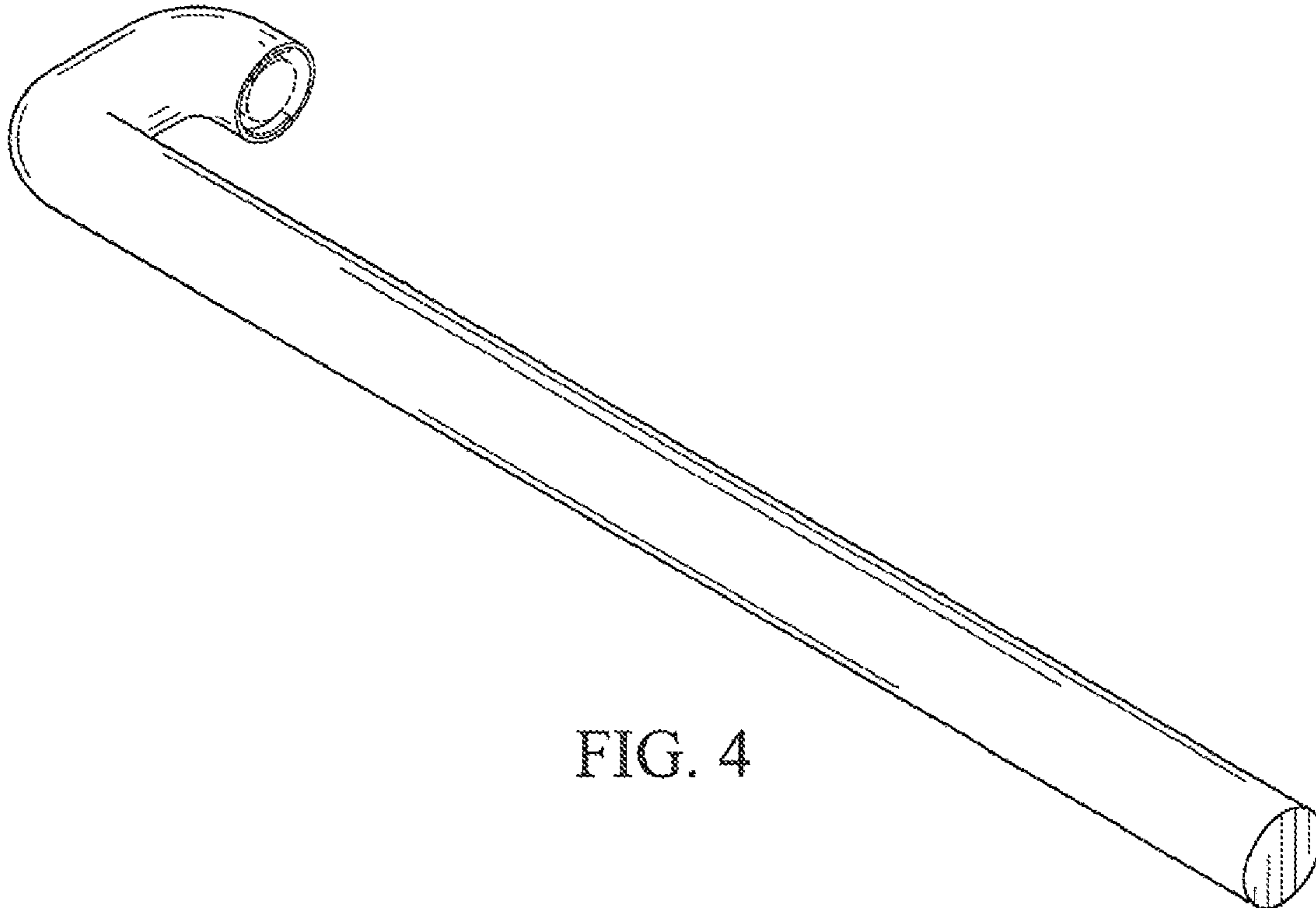


FIG. 4