



US00D623382S

(12) **United States Design Patent**
Hodgson

(10) **Patent No.:** **US D623,382 S**
(45) **Date of Patent:** **** Sep. 14, 2010**

(54) **HEATING OR COOLING VEST**

6,551,347 B1 4/2003 Elkins
6,957,697 B2 10/2005 Chambers

(76) Inventor: **Clayton Hodgson**, 703 Rivers Edge Dr.,
Richmond, TX (US) 77406

(Continued)

(**) Term: **14 Years**

OTHER PUBLICATIONS

(21) Appl. No.: **29/346,747**

Electric Fan Engineering News "Thermal Star® Cooling Vest Maintains Body Temperature", 2 pages [on line], [retrieved on Jul. 9, 2010]. Retrieved from Internet, <URL: http://www.google.com>.*

(22) Filed: **Nov. 5, 2009**

Primary Examiner—Ian Simmons

Assistant Examiner—Wan Laymon

(51) **LOC (9) Cl.** **02-02**

(52) **U.S. Cl.** **D2/829; D2/830**

(58) **Field of Classification Search** D2/828,
D2/829-830, 833, 840, 845, 847, 750-751;
D24/200, 206-207; 62/259.3, 259.4; 607/96,
607/107; 2/458, 69, 7, 92-93, 102, 108,
2/115, DIG. 1

(74) *Attorney, Agent, or Firm*—John K. Buche; Buche & Associates, P.C.

See application file for complete search history.

(57) **CLAIM**

The ornamental design for a heating or cooling vest, as shown and described.

(56) **References Cited**

DESCRIPTION

U.S. PATENT DOCUMENTS

FIG. 1 is a perspective view of a heating or cooling vest.

FIG. 2 is a front plan view of the heating or cooling vest of FIG. 1.

FIG. 3 is a back plan view of the heating or cooling vest of FIG. 1.

FIG. 4 is a right side plan view of the heating or cooling vest of FIG. 1.

FIG. 5 is a left side plan view of the heating or cooling vest of FIG. 1.

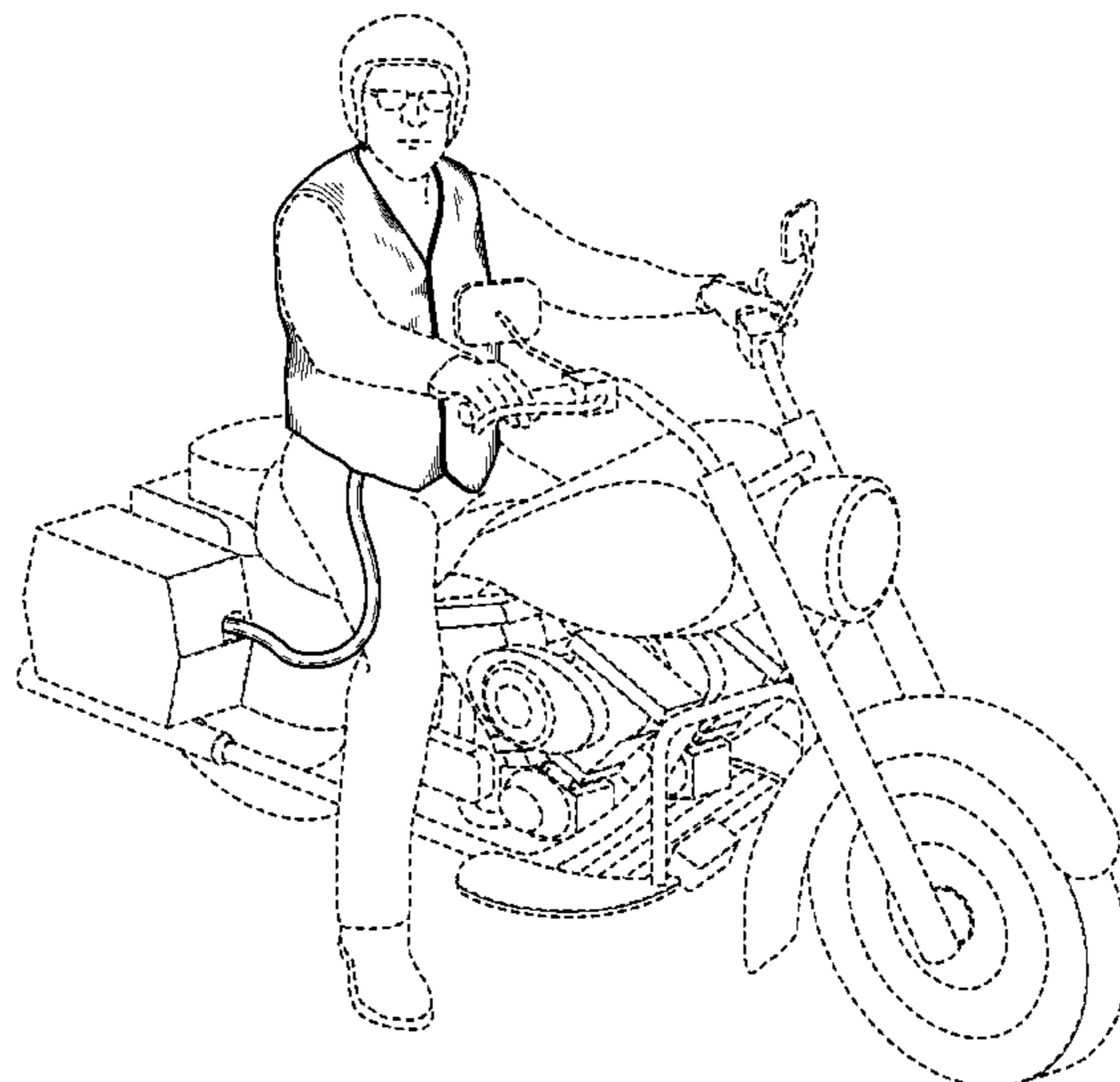
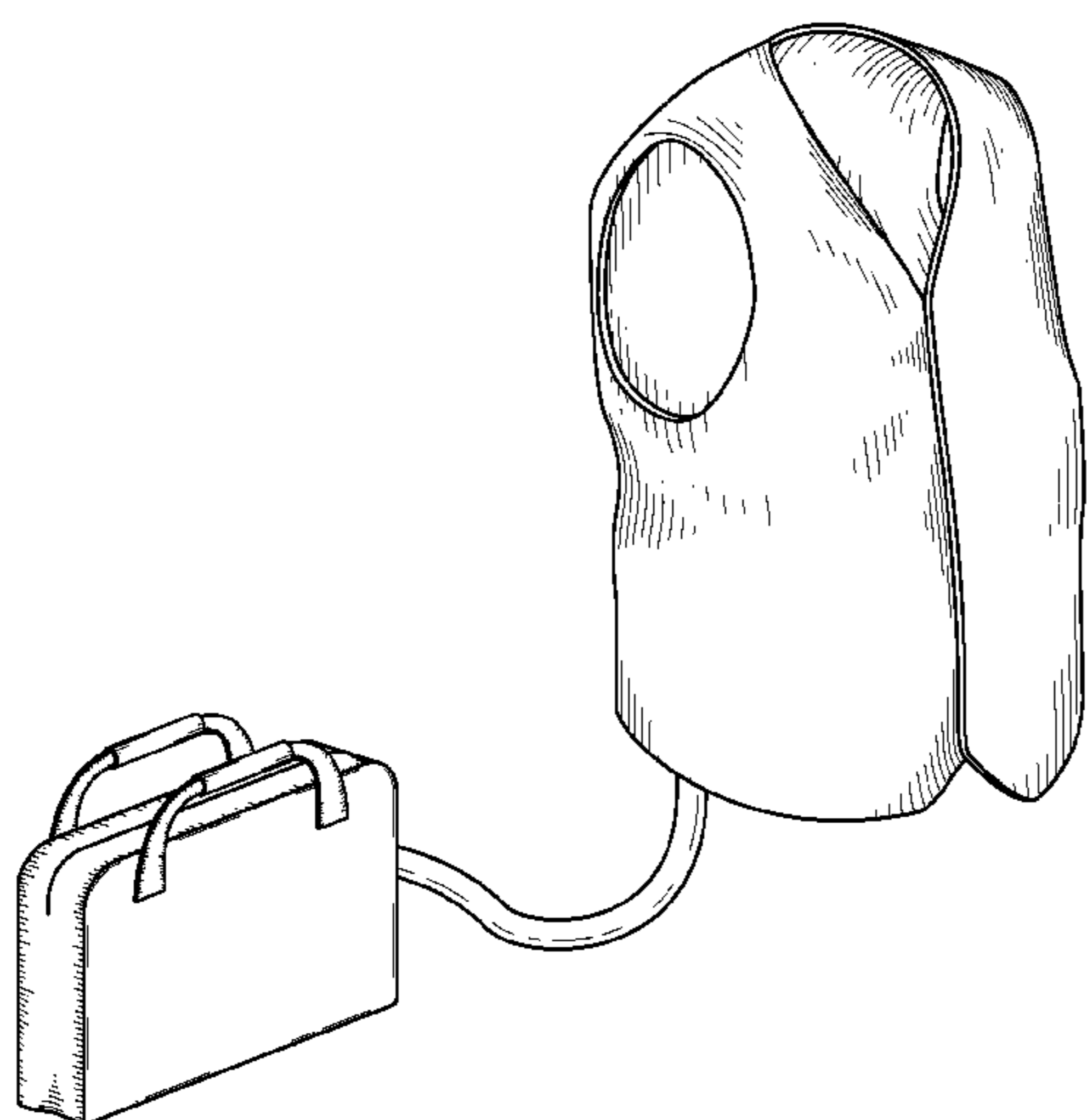
FIG. 6 is a top plan view of the heating or cooling vest of FIG. 1.

FIG. 7 is a bottom plan view of the heating or cooling vest of FIG. 1; and,

FIG. 8 is another perspective view of the heating or cooling vest of FIG. 1, where the broken lines showing a person and a motorcycle are included for illustrating environmental structure and form no part of the claimed design.

26,663 A	1/1860	French	
2,010,132 A	8/1935	Bischoff	
2,875,447 A	3/1959	Goldmerstein	
3,125,865 A	3/1964	Bemelman	
3,192,728 A	7/1965	Timm	
4,253,313 A	3/1981	Rowe	
4,418,745 A	12/1983	Roehr	
4,580,408 A	4/1986	Stuebner	
4,738,119 A *	4/1988	Zafred	607/108
4,747,408 A	5/1988	Chuan-Chih	
5,100,261 A	3/1992	Plemon	
D332,514 S *	1/1993	Brandoff	D2/829
D348,733 S *	7/1994	Truelove	D24/206
5,538,583 A *	7/1996	Szczesuil et al.	2/458
5,921,467 A	7/1999	Larson	
D429,058 S *	8/2000	Derosier	D2/824
6,128,784 A	10/2000	Frank	
6,473,910 B2	11/2002	Creagan et al.	
6,543,247 B2	4/2003	Strauss	

1 Claim, 5 Drawing Sheets



US D623,382 S

Page 2

U.S. PATENT DOCUMENTS

7,120,938 B2 *	10/2006	Ichigaya	2/458	2007/0044503 A1	3/2007	McCarrell	
7,698,905 B1 *	4/2010	Carpenter et al.	62/259.3	2007/0084496 A1	4/2007	Edey	
2003/0098143 A1	5/2003	Winkle		2008/0315014 A1	12/2008	Spurlin	
				2010/0084125 A1 *	4/2010	Goldstein et al.	62/259.3

* cited by examiner

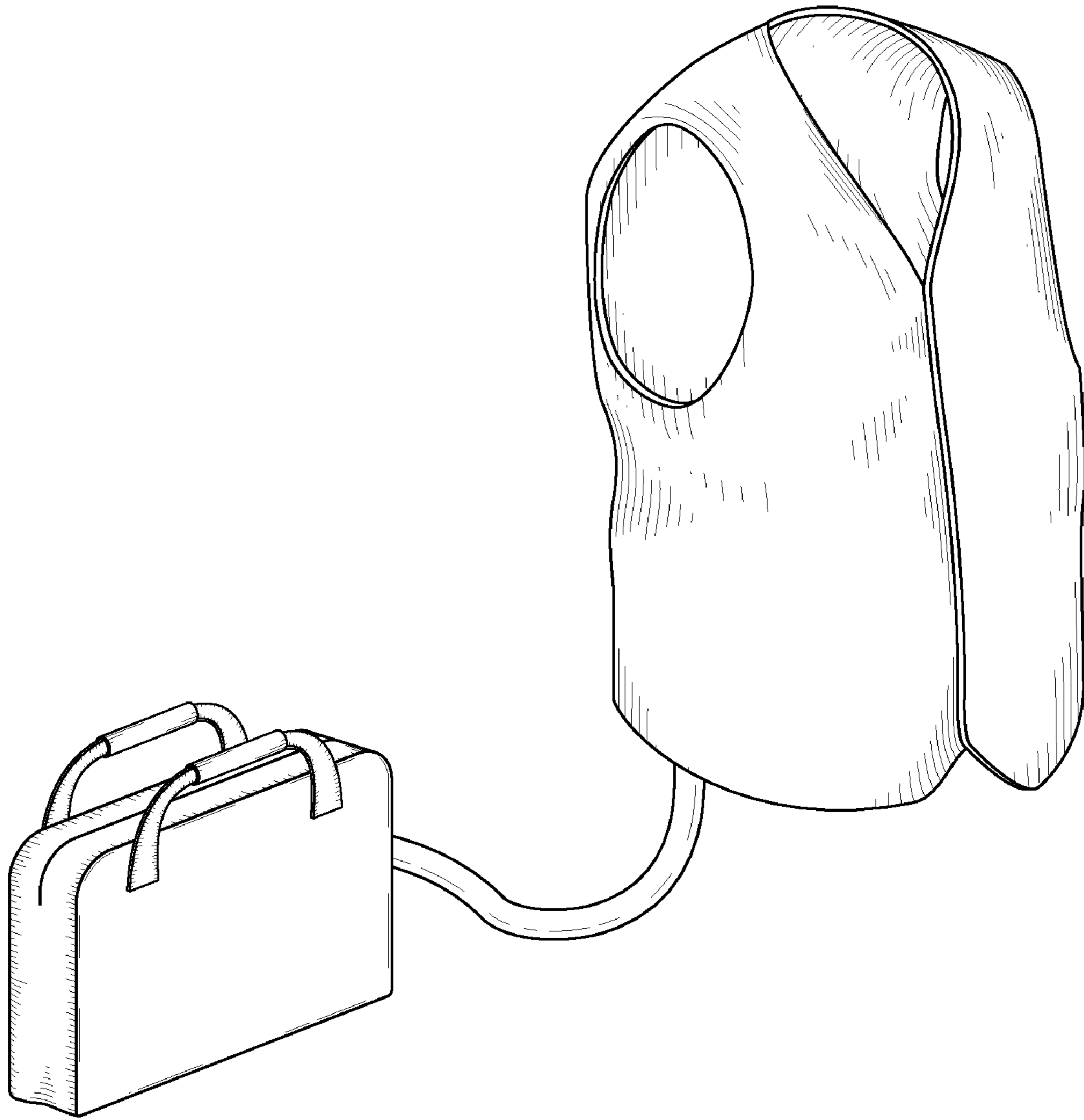


FIG. 1

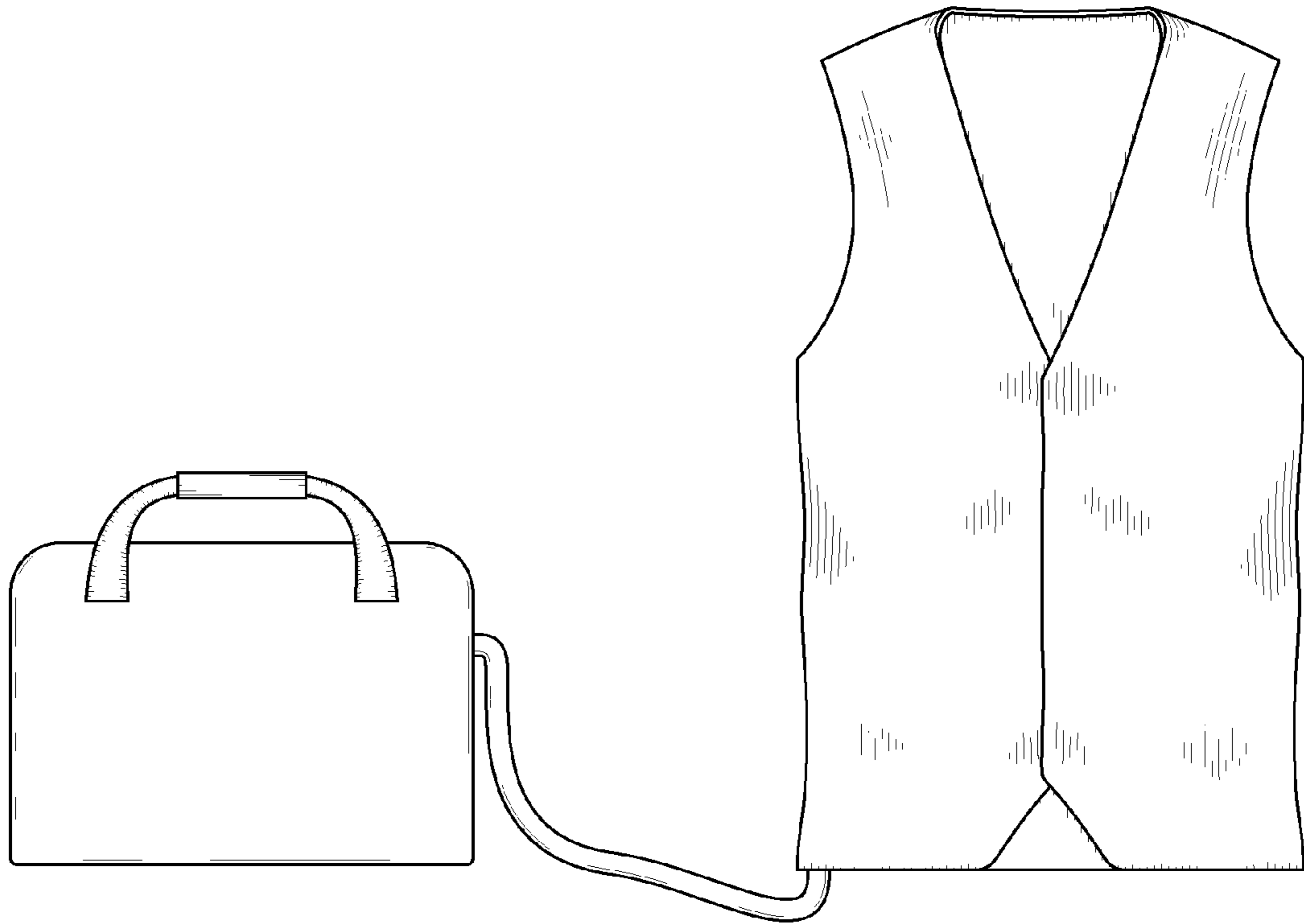


FIG. 2

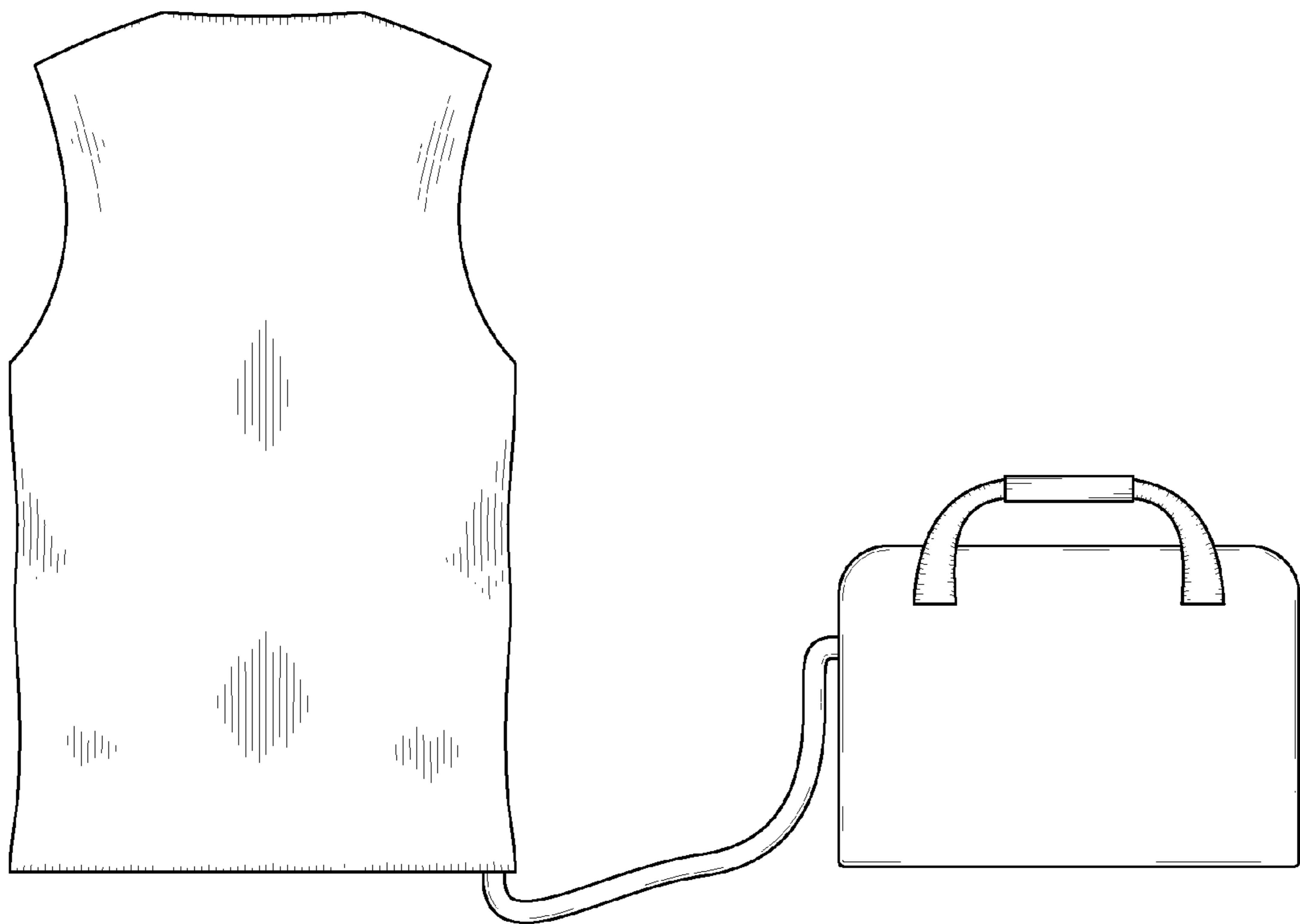


FIG. 3

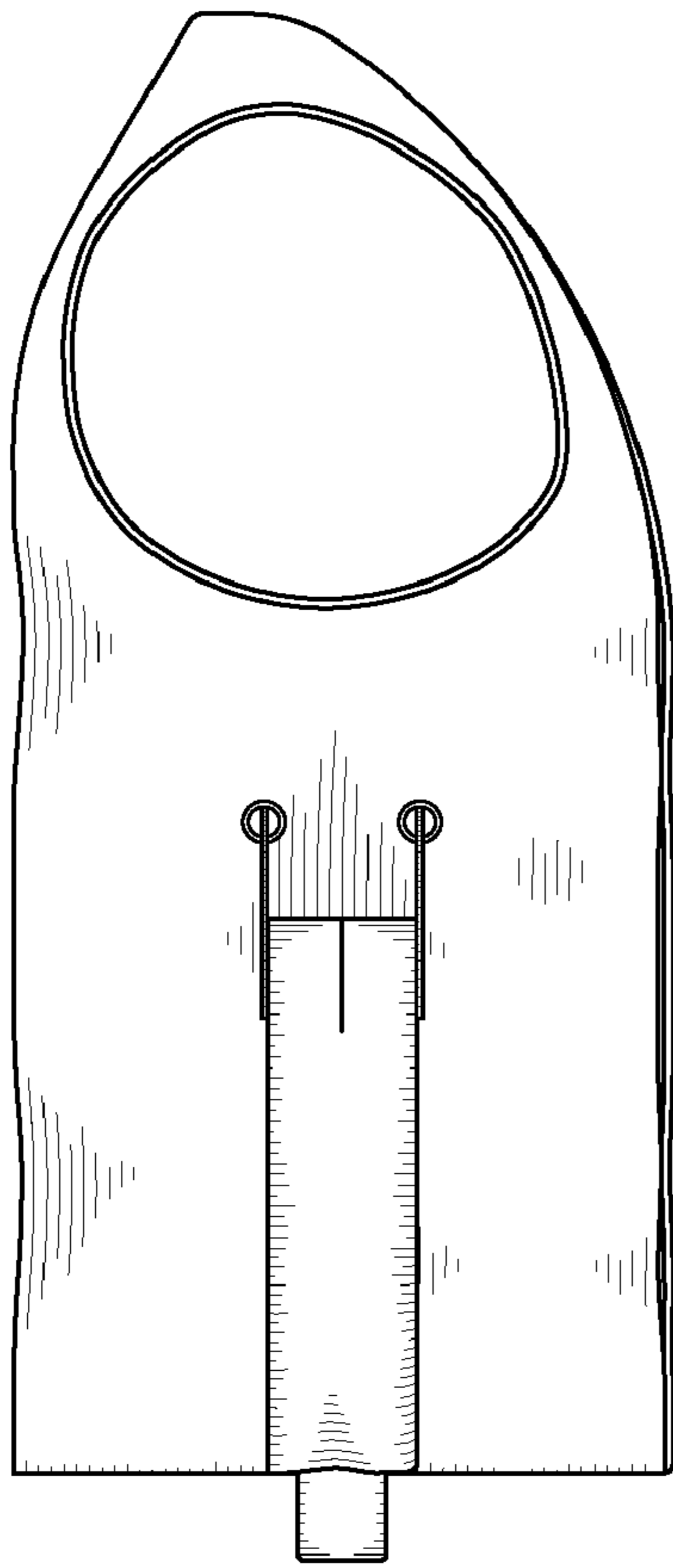


FIG. 4



FIG. 5

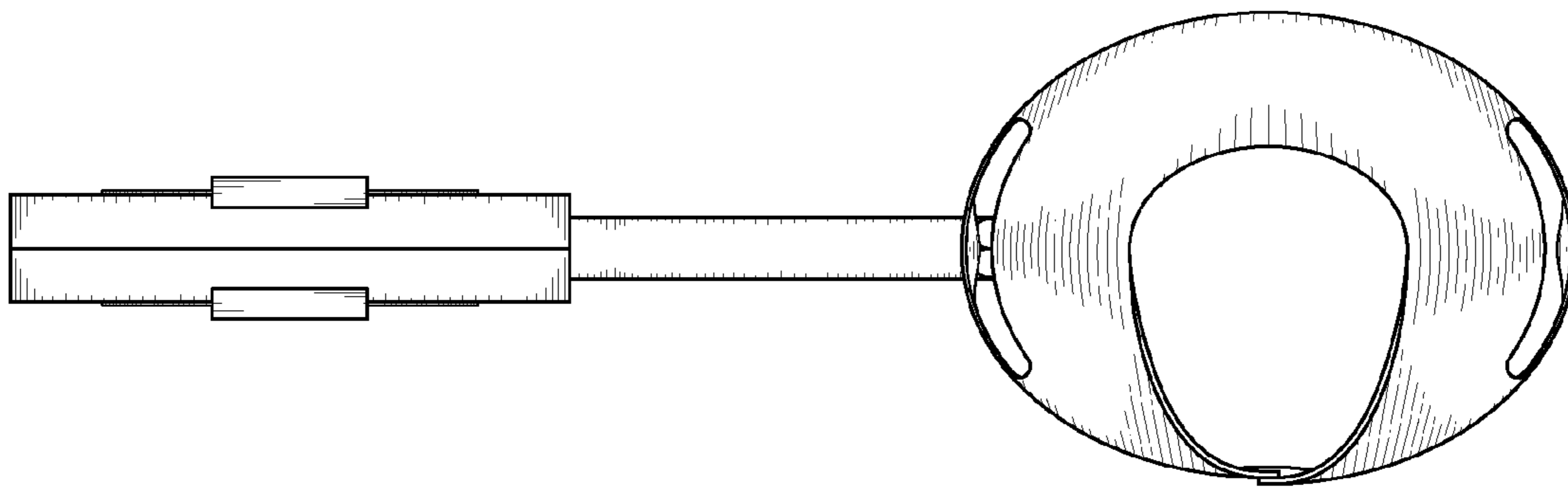


FIG. 6

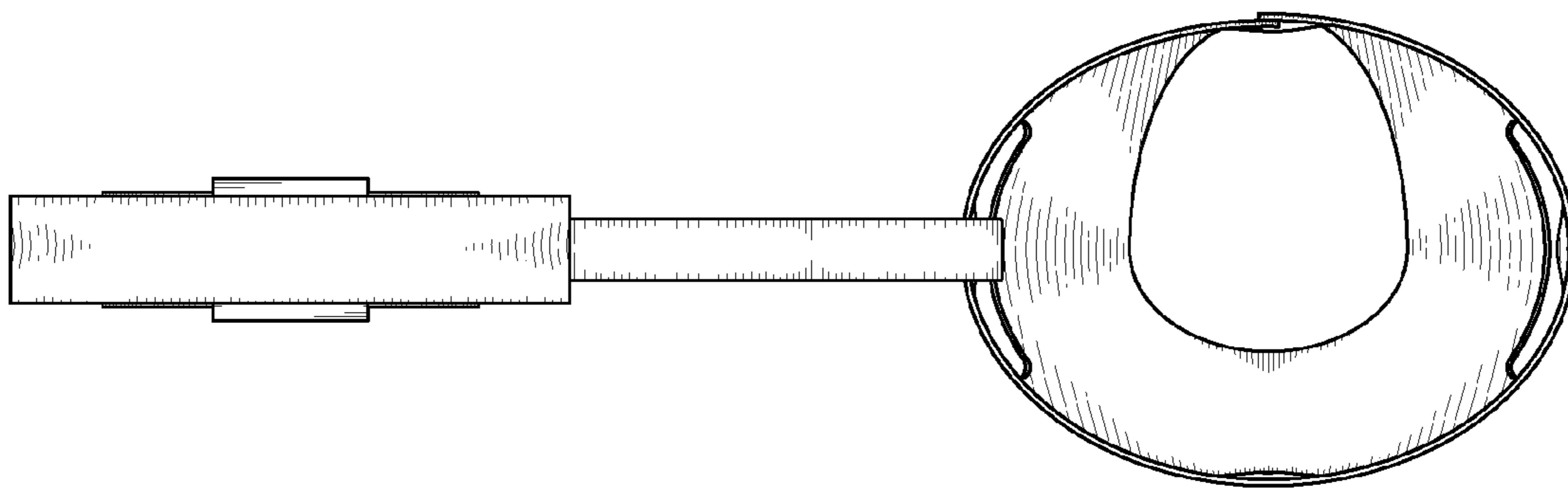


FIG. 7

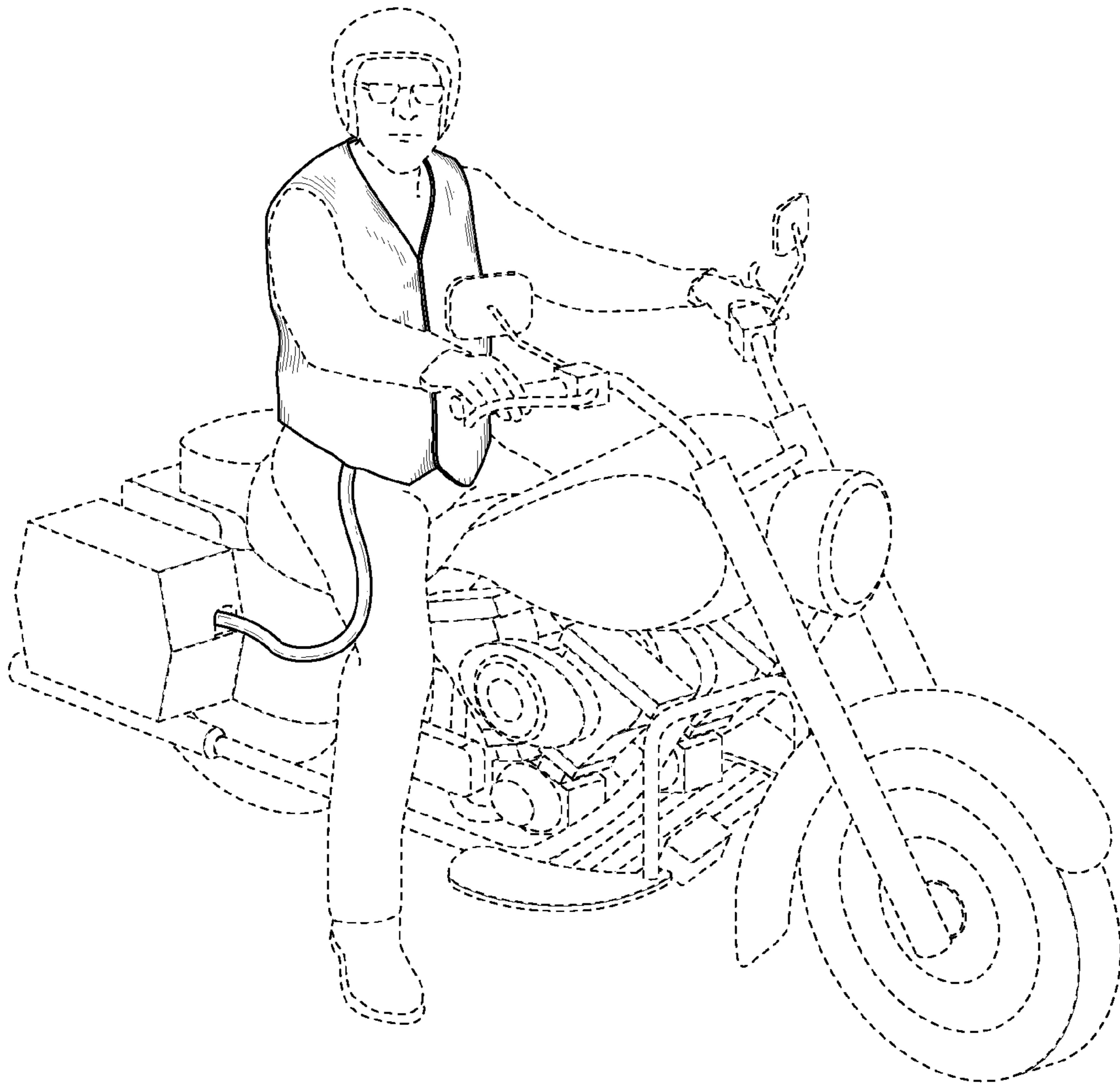


FIG. 8