



US00D623379S

(12) **United States Design Patent**
Dunson et al.

(10) **Patent No.:** **US D623,379 S**

(45) **Date of Patent:** **** Sep. 14, 2010**

(54) **SLEEPING BAG**

(75) Inventors: **Wendy K. Dunson**, Bel Air, KS (US);
Lisa A. Gronau, Newton, KS (US); **Ivan A. Huber**, Cincinnati, OH (US); **Jason R. Phillips**, Cincinnati, OH (US)

(73) Assignee: **The Coleman Company, Inc.**, Wichita, KS (US)

(**) Term: **14 Years**

(21) Appl. No.: **29/341,855**

(22) Filed: **Aug. 13, 2009**

(51) **LOC (9) Cl.** **02-02**

(52) **U.S. Cl.** **D2/719**

(58) **Field of Classification Search** D2/719;
2/69, 69.5; D6/603-605; 5/413 R, 413 AM
See application file for complete search history.

(56) **References Cited**

U.S. PATENT DOCUMENTS

1,263,825	A *	4/1918	Waugh	5/13 R
1,678,125	A *	7/1928	Petrescu	5/413 R
3,334,363	A *	8/1967	Lutz	5/413 R
3,639,931	A *	2/1972	McGuire	5/413 R
5,152,017	A *	10/1992	Jaeger	5/413 R
D401,736	S *	12/1998	Shaw	D2/719
6,009,576	A *	1/2000	Gramme et al.	5/413 R
6,901,614	B2 *	6/2005	Holub et al.	5/413 R
D513,657	S *	1/2006	Jaskuloski	D2/719
2006/0230533	A1 *	10/2006	Liang	5/413 R

FOREIGN PATENT DOCUMENTS

FR 2580162 A1 * 10/1986

OTHER PUBLICATIONS

Bask. <http://www.baskcanada.com/Featured/sleeping-bag/superlightd.htm>. Mar. 2006. "Super Light-D Down Blanket".*

China Trade Online. <http://www.chinatradersonline.com/Bag/sleeping-bag/Sleeping-Bag-001138605/>. Date Unknown: Viewed Apr. 2010. Sleeping Bag.*

* cited by examiner

Primary Examiner—Ian Simmons

Assistant Examiner—R. Johnson

(74) *Attorney, Agent, or Firm*—Kelly S. Elsea

(57) **CLAIM**

The ornamental design for a sleeping bag, as shown and described.

DESCRIPTION

FIG. 1 is a top perspective view of a sleeping bag, showing our new design in the fully closed configuration;

FIG. 2 is a top plan view thereof;

FIG. 3 is a bottom plan view thereof;

FIG. 4 is a left side elevational view thereof;

FIG. 5 is a right side elevational view thereof;

FIG. 6 is a front elevational view thereof;

FIG. 7 is a rear elevational view thereof;

FIG. 8 is a perspective view of the sleeping bag shown in the fully open configuration;

FIG. 9 is a top plan view thereof;

FIG. 10 is a bottom plan view thereof;

FIG. 11 is a left side elevational view thereof;

FIG. 12 is a right side elevational view thereof;

FIG. 13 is a front elevational view thereof; and,

FIG. 14 is a rear elevational view thereof.

The broken lines representing stitching form no part of the claimed design.

1 Claim, 7 Drawing Sheets

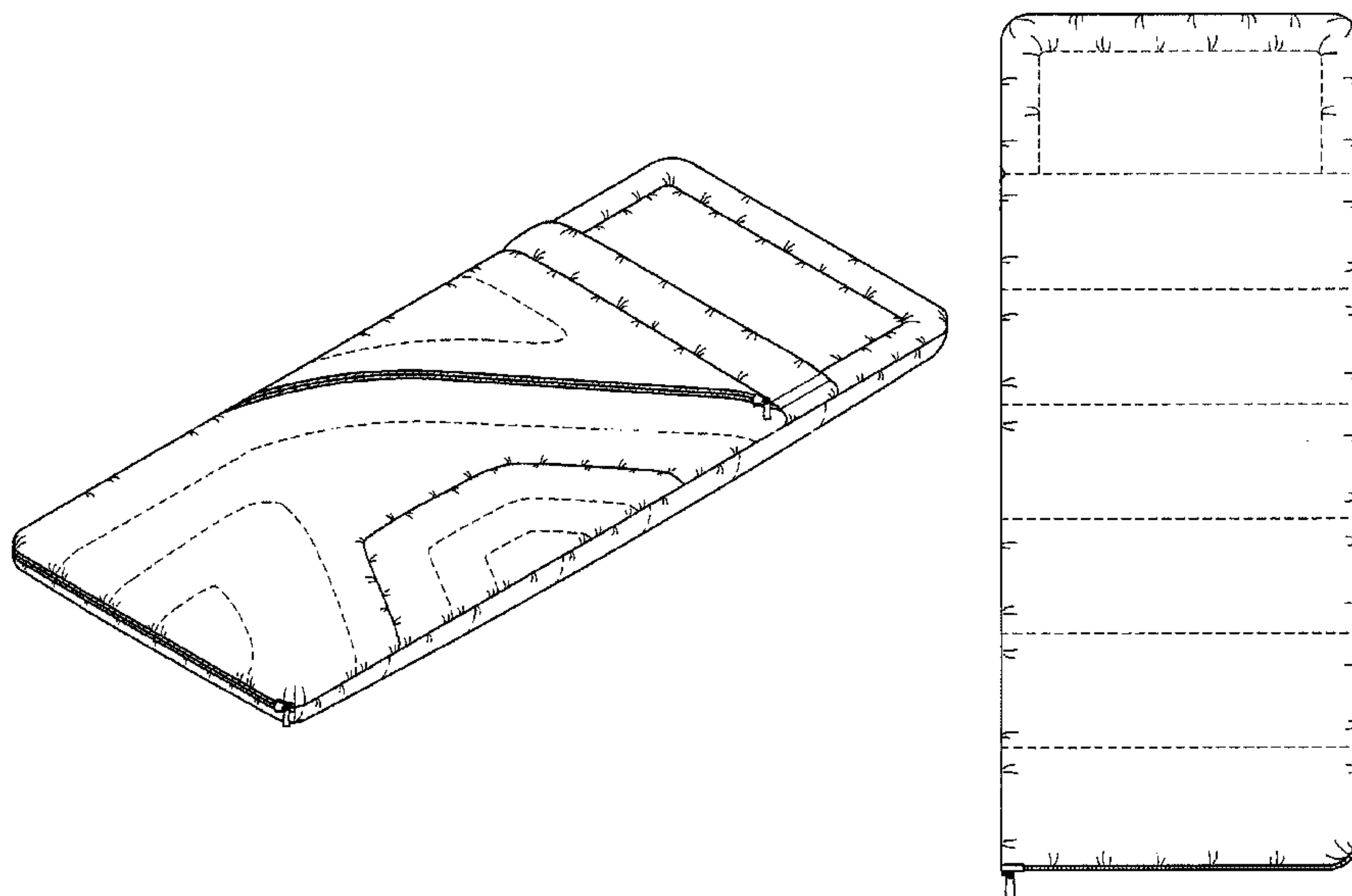


FIG. 1

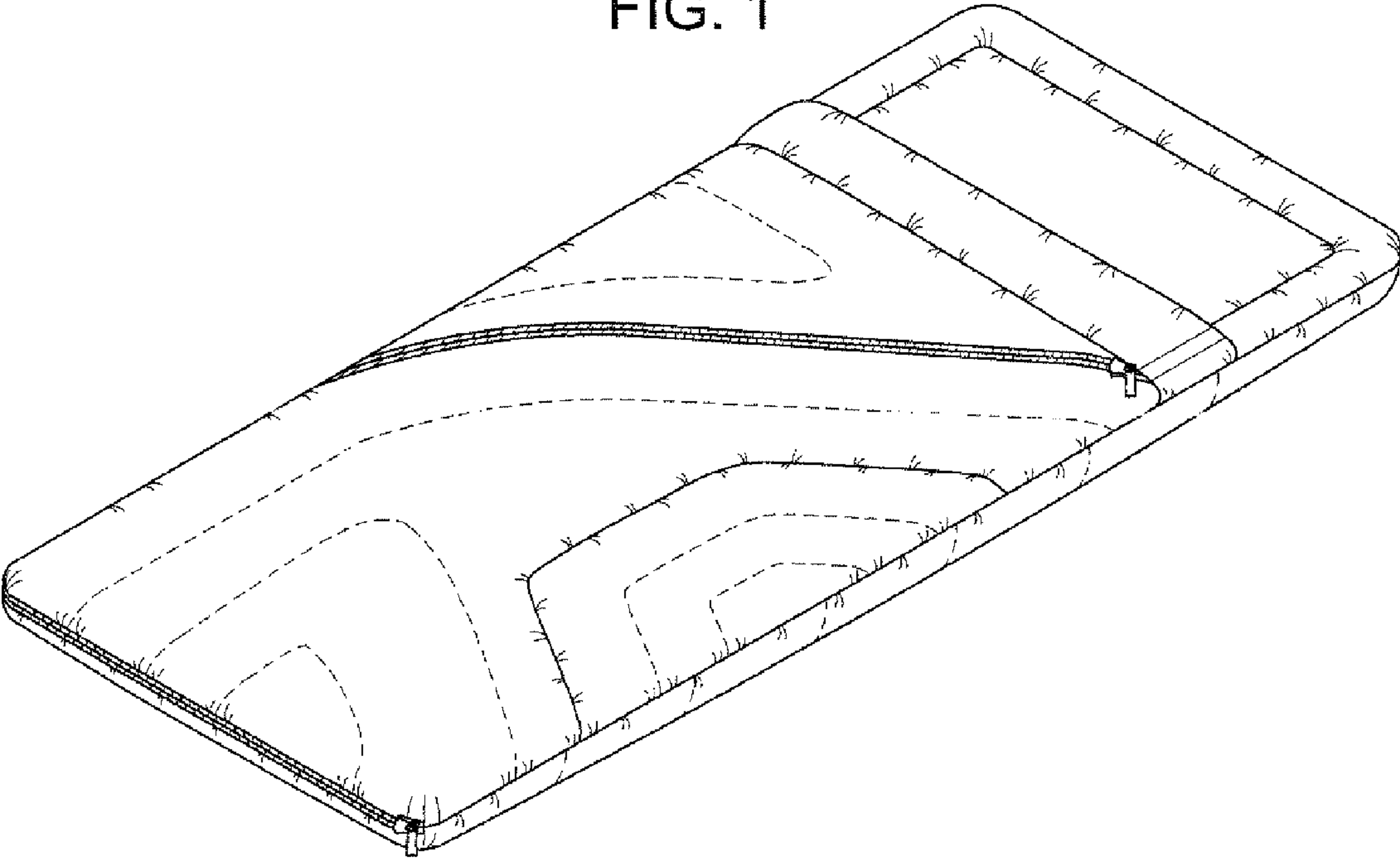


FIG. 2

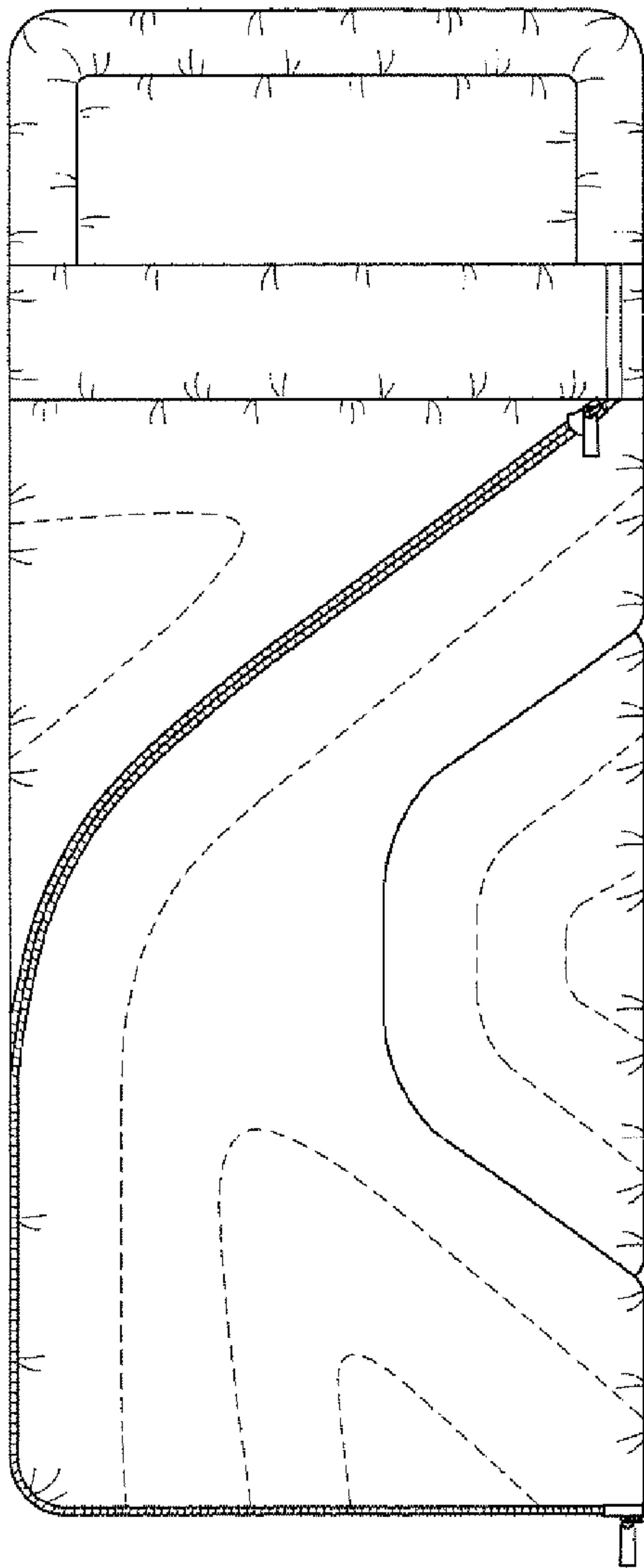


FIG. 3

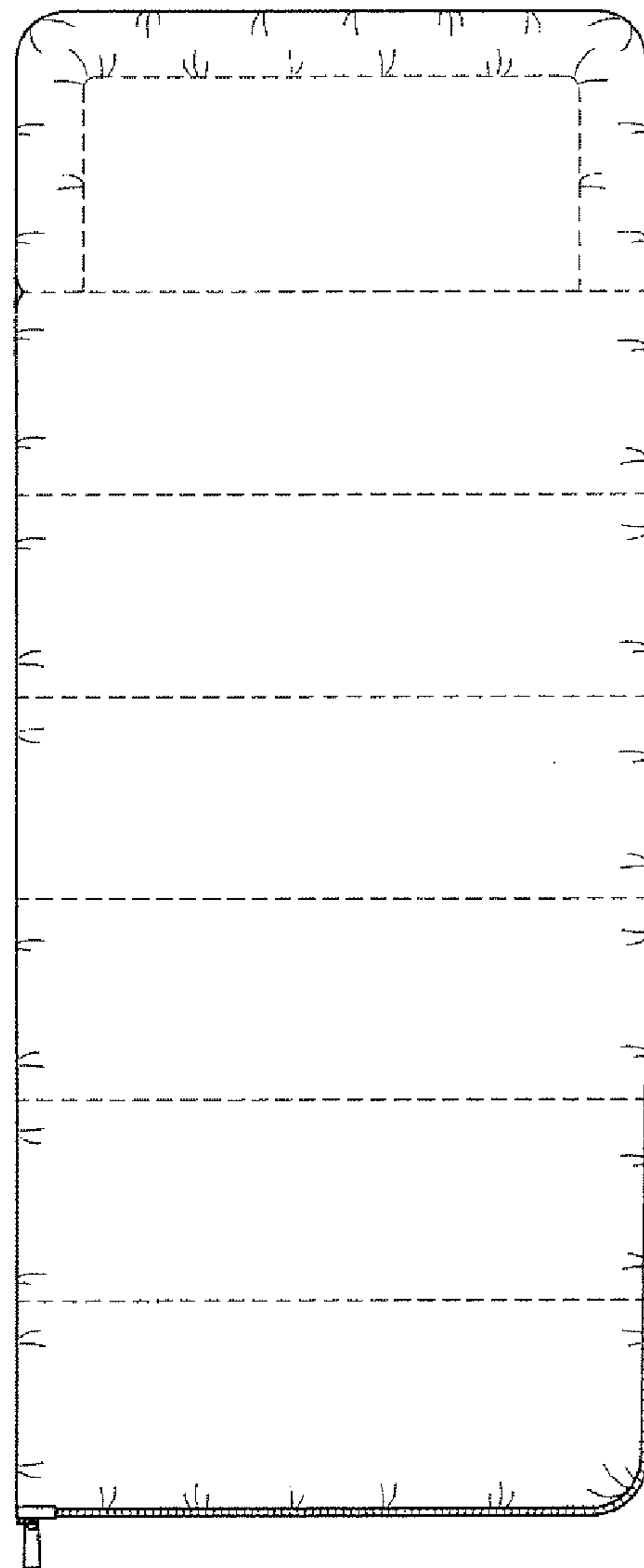


FIG. 4

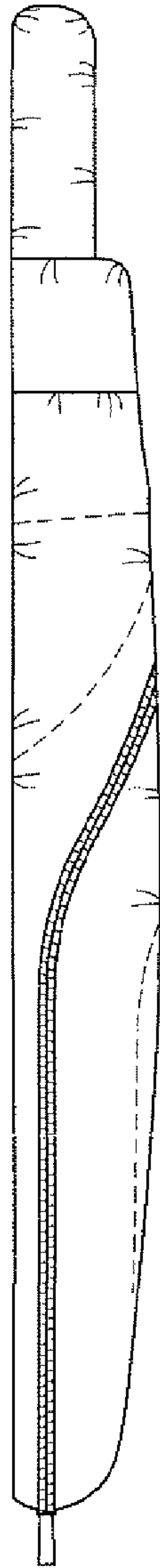


FIG. 5



FIG. 6

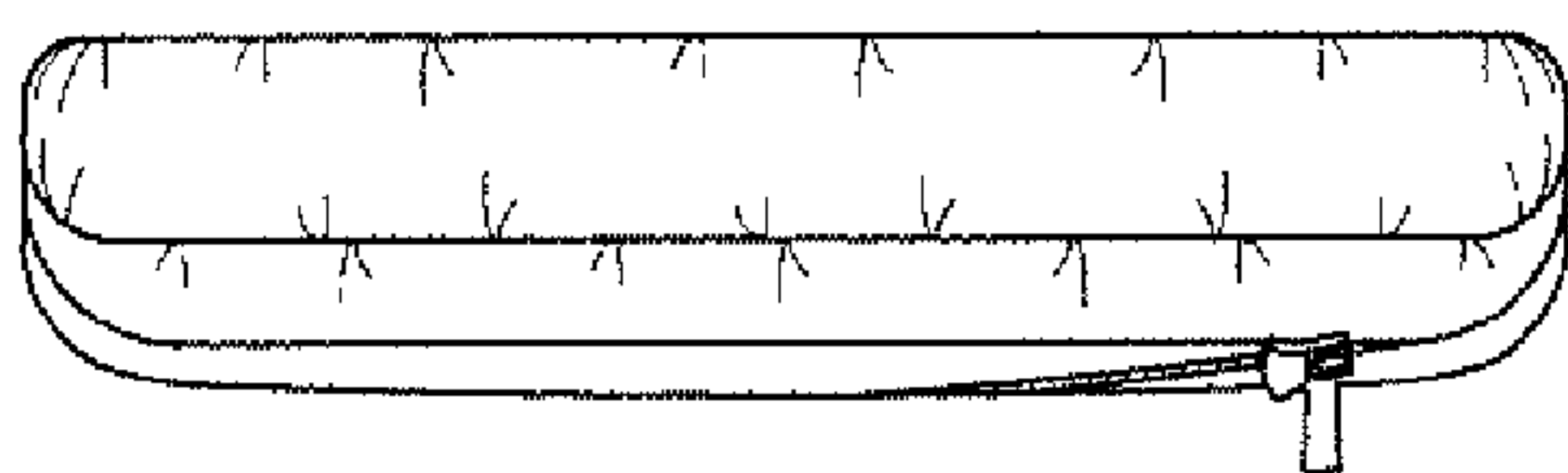
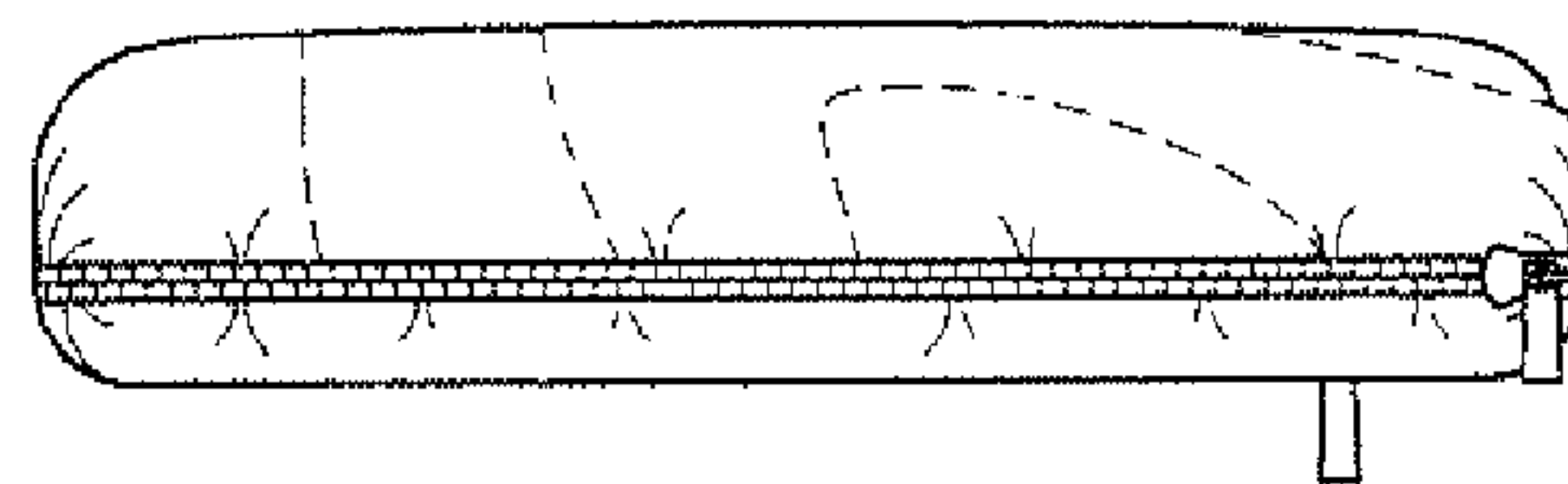


FIG. 7



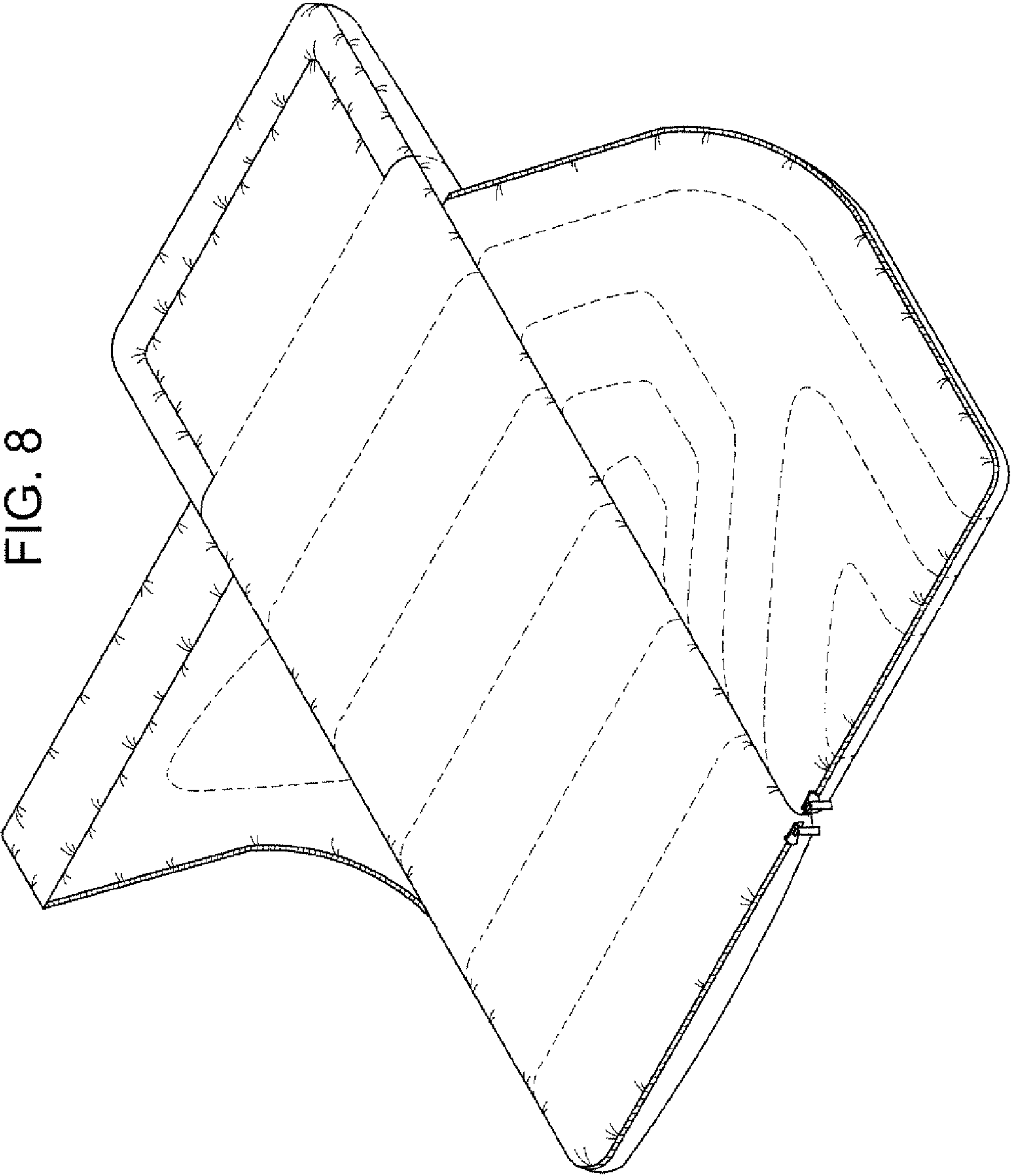


FIG. 8

FIG. 9

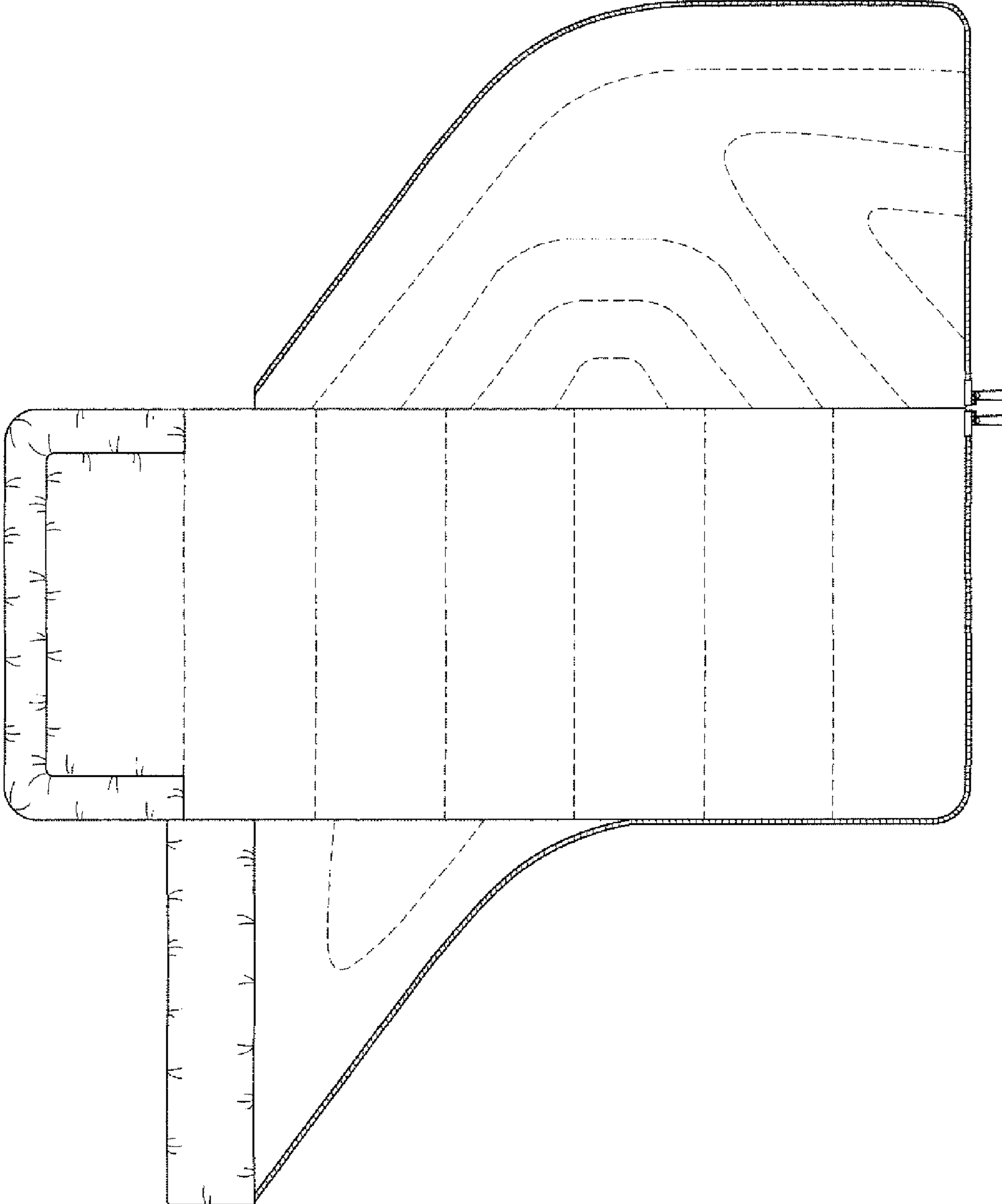


FIG. 12

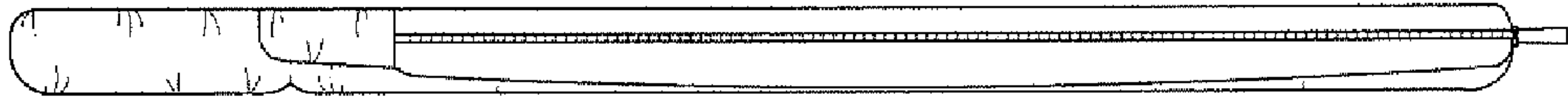


FIG. 11

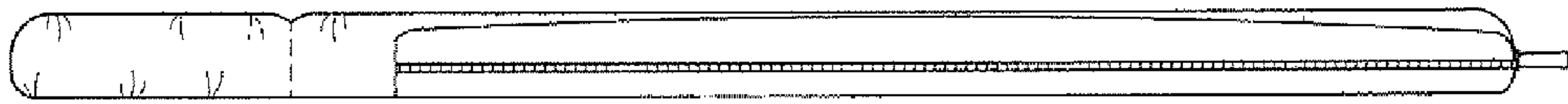


FIG. 10

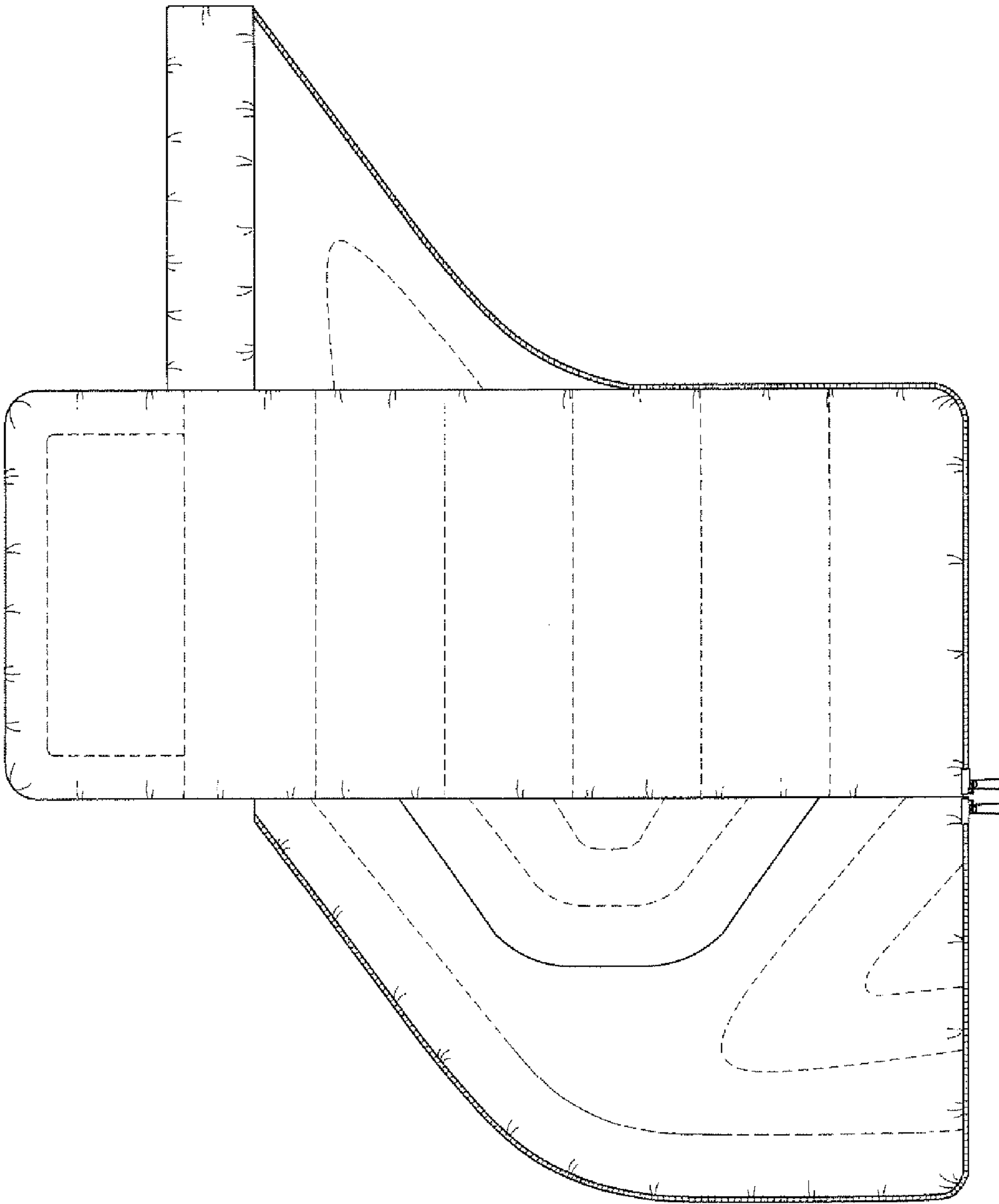


FIG. 13

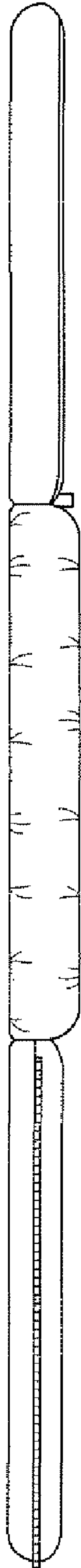


FIG. 14

