



US00D623370S

(12) **United States Design Patent**
Kuo

(10) **Patent No.:** **US D623,370 S**

(45) **Date of Patent:** **** Sep. 7, 2010**

(54) **LAUNDRY DEVICE**

(75) Inventor: **Tai-Wei Kuo**, Shanghai (CN)

(73) Assignee: **Shanghai True Transworld Co., Ltd.**,
Shanghai (CN)

(**) Term: **14 Years**

(21) Appl. No.: **29/358,803**

(22) Filed: **Apr. 1, 2010**

(51) **LOC (9) Cl.** **07-07**

(52) **U.S. Cl.** **D32/37**

(58) **Field of Classification Search** D32/37,
D32/53; D34/1, 5-10; 220/908-911, 500,
220/262, 263

See application file for complete search history.

(56) **References Cited**

U.S. PATENT DOCUMENTS

D329,929	S	*	9/1992	Knoedler et al.	D32/37
D355,060	S	*	1/1995	Bernstein et al.	D32/37
5,535,913	A	*	7/1996	Asbach et al.	220/908
D431,700	S	*	10/2000	Roudebush	D32/53
6,128,890	A	*	10/2000	Firth	220/908.1
6,196,407	B1	*	3/2001	Liu	220/263
D456,968	S	*	5/2002	Verbeek	D32/37
D469,229	S	*	1/2003	Melkert	D32/37
6,808,081	B1	*	10/2004	Citro	220/908
D498,890	S	*	11/2004	Lin et al.	D32/37
D501,967	S	*	2/2005	Verbeek	D32/37
D518,262	S	*	3/2006	Jurgens	D32/53

D524,504	S	*	7/2006	Lin	D34/9
D549,409	S	*	8/2007	Daams	D32/37
D562,521	S	*	2/2008	Renard	D34/7
D581,615	S	*	11/2008	Presnell et al.	D32/37
D584,019	S	*	12/2008	Yang et al.	D32/37
D588,321	S	*	3/2009	Schoofs	D34/7
D608,069	S	*	1/2010	Schoofs	D34/7
2008/0221544	A1	*	9/2008	Dommerholt	220/263

* cited by examiner

Primary Examiner—T. Chase Nelson

(57) **CLAIM**

The ornamental design for a laundry device, as shown and described.

DESCRIPTION

FIG. 1 is a perspective view of a laundry device showing my new design;

FIG. 2 is a front elevational view thereof;

FIG. 3 is a rear elevational view thereof;

FIG. 4 is a left side view thereof;

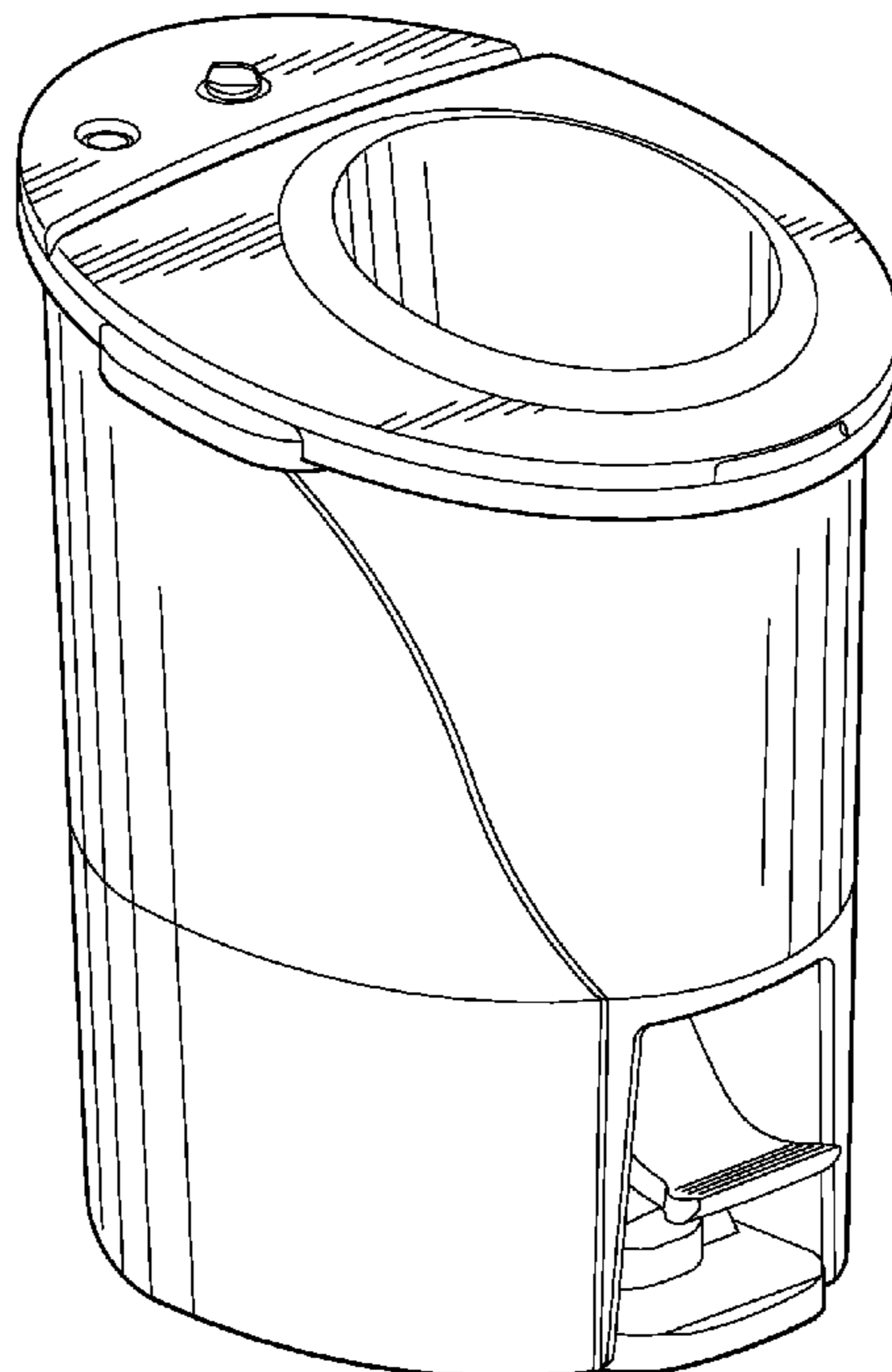
FIG. 5 is a right side view thereof;

FIG. 6 is a top plan view thereof;

FIG. 7 is a bottom plan view thereof; and,

FIG. 8 is a perspective view showing the laundry device in a position of use, wherein the broken lines illustrate different environmental structures that form no part of the claimed design.

1 Claim, 7 Drawing Sheets



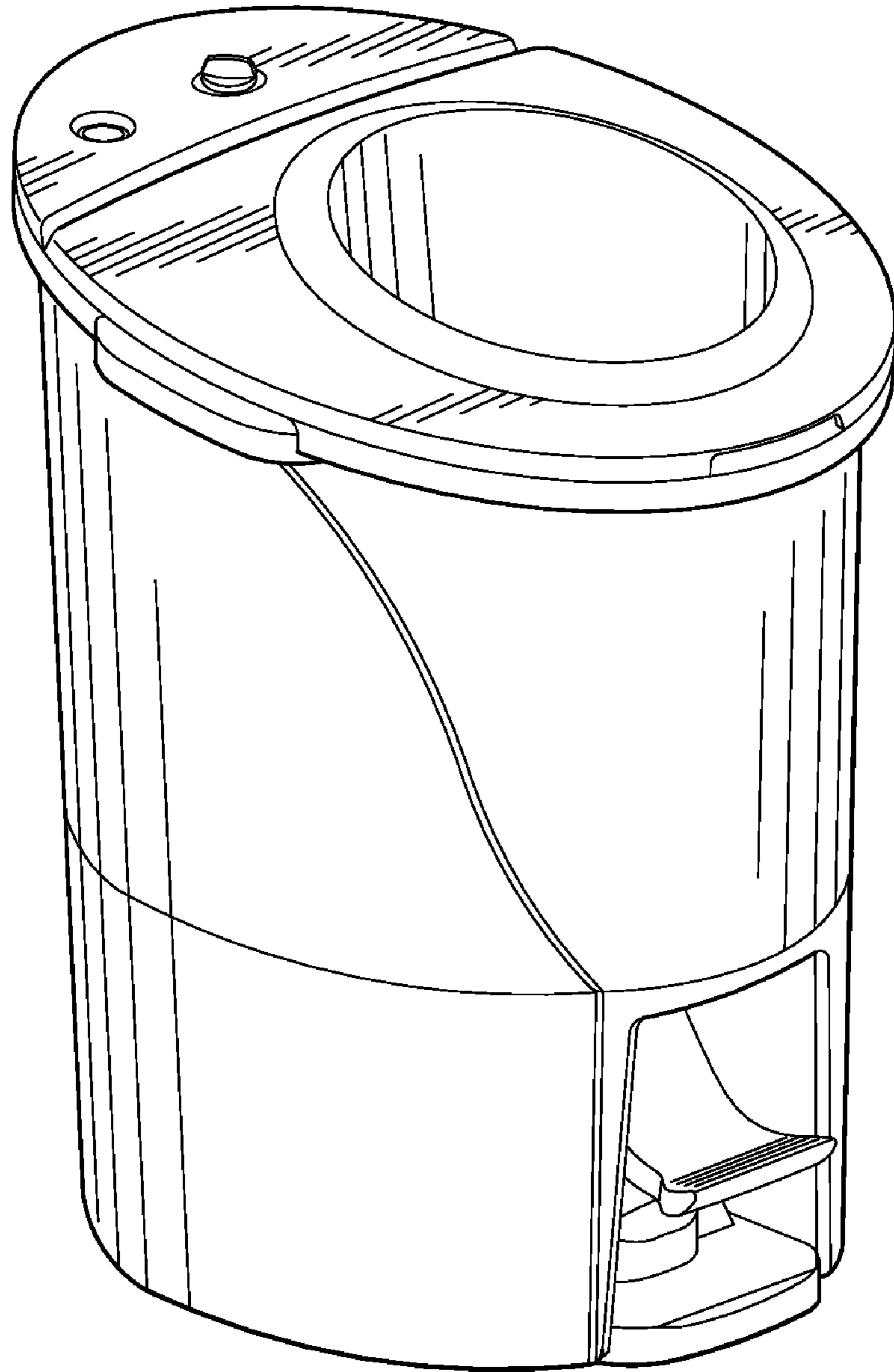


FIG. 1

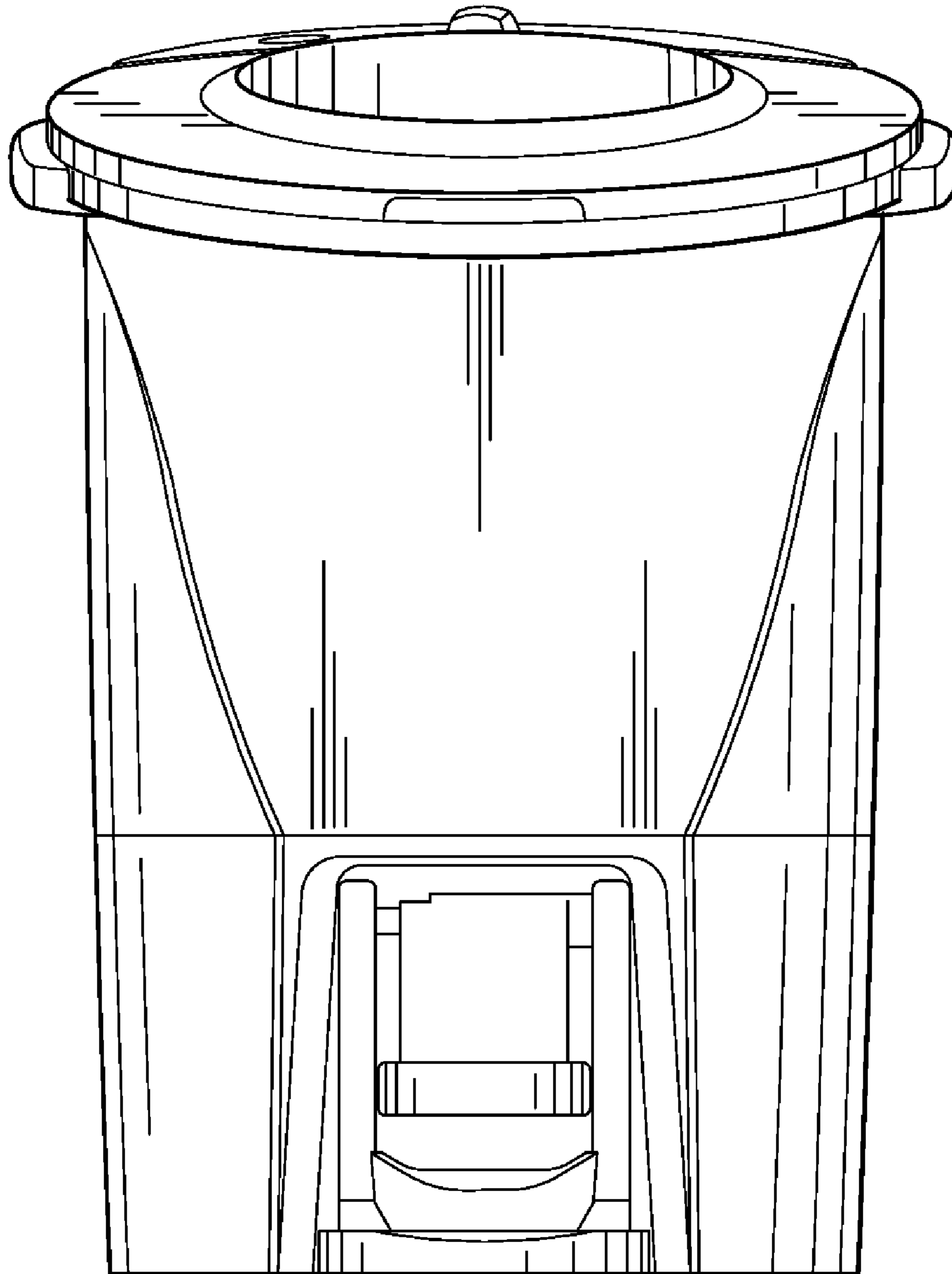


FIG. 2

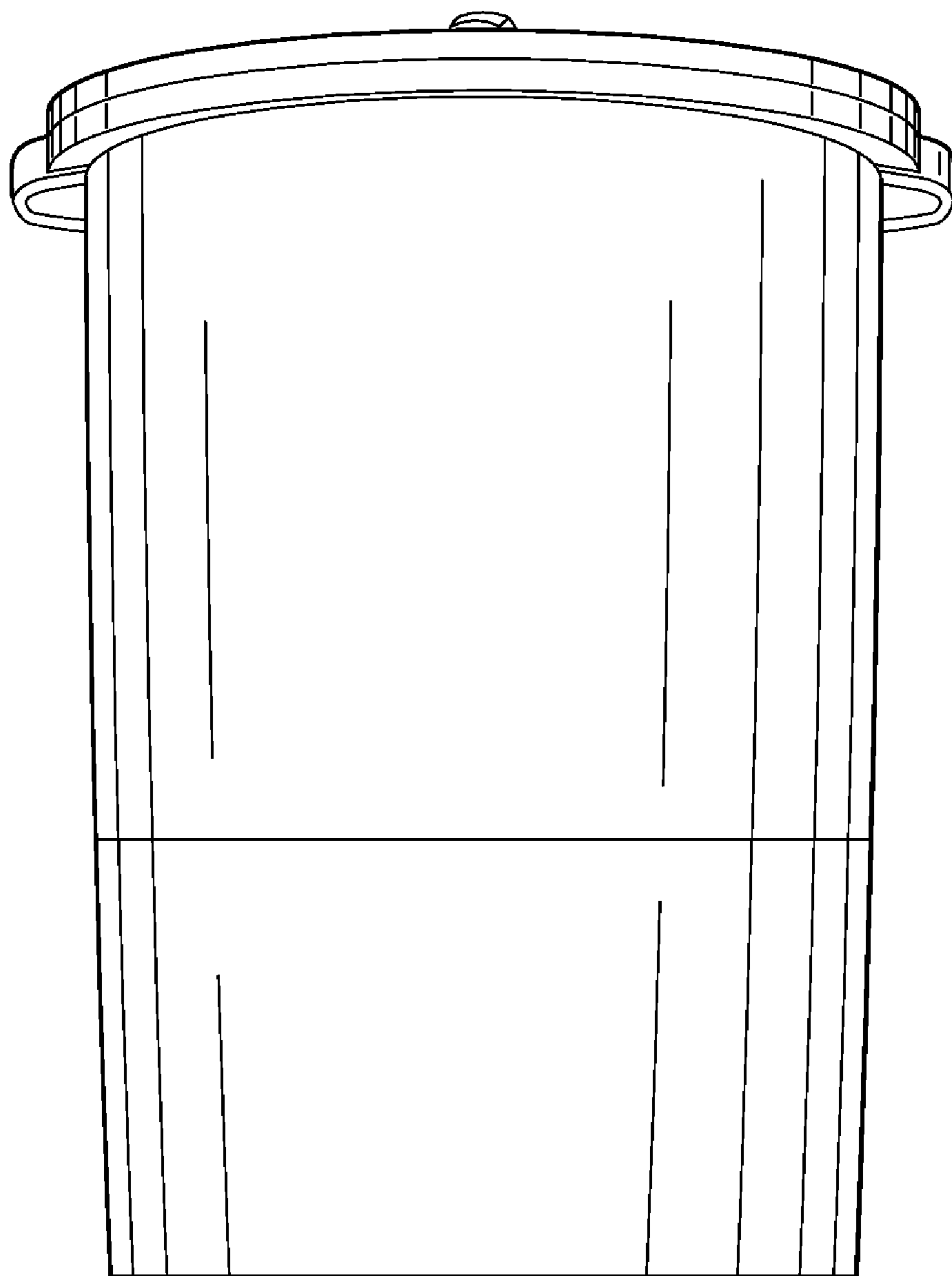


FIG. 3

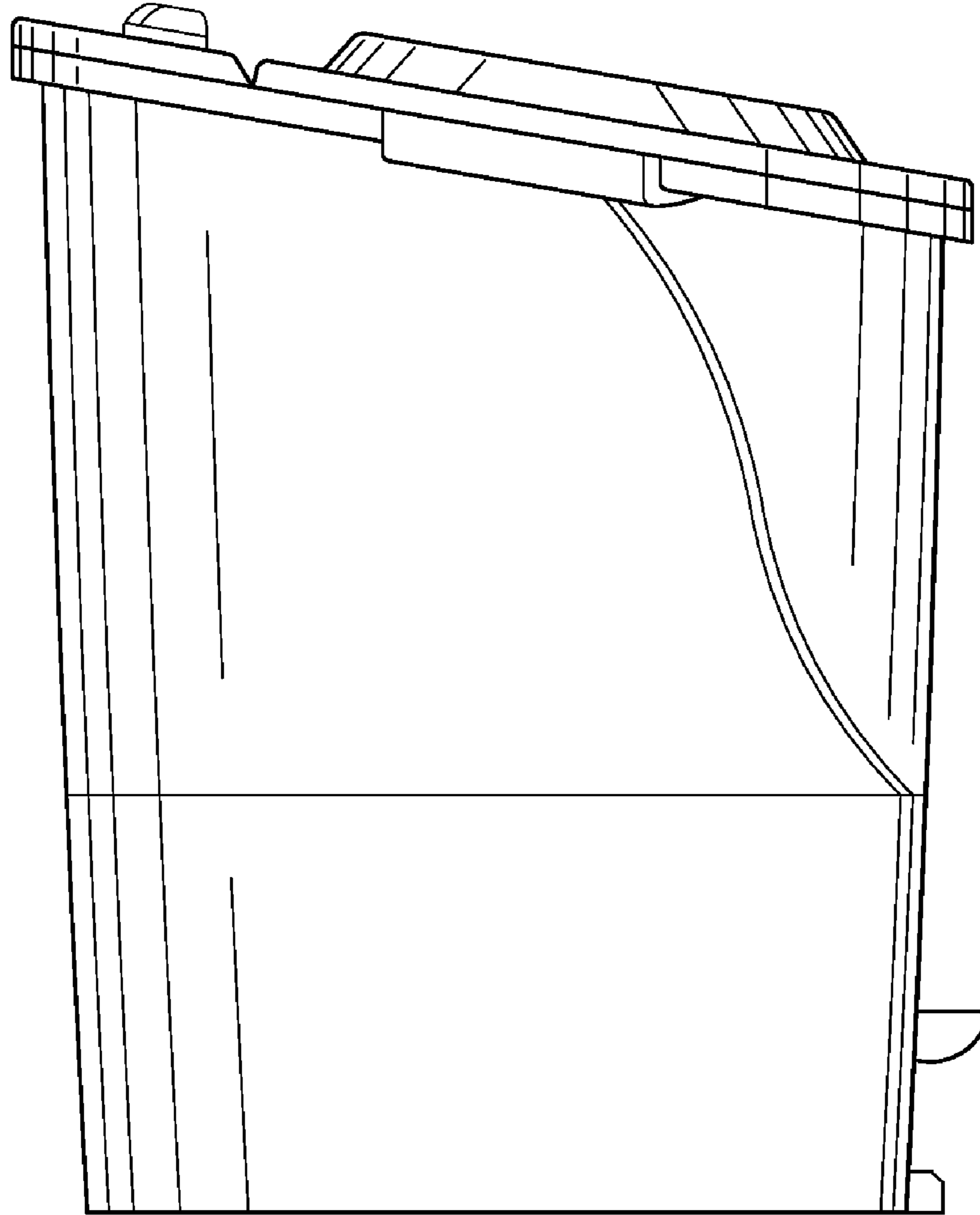


FIG. 4

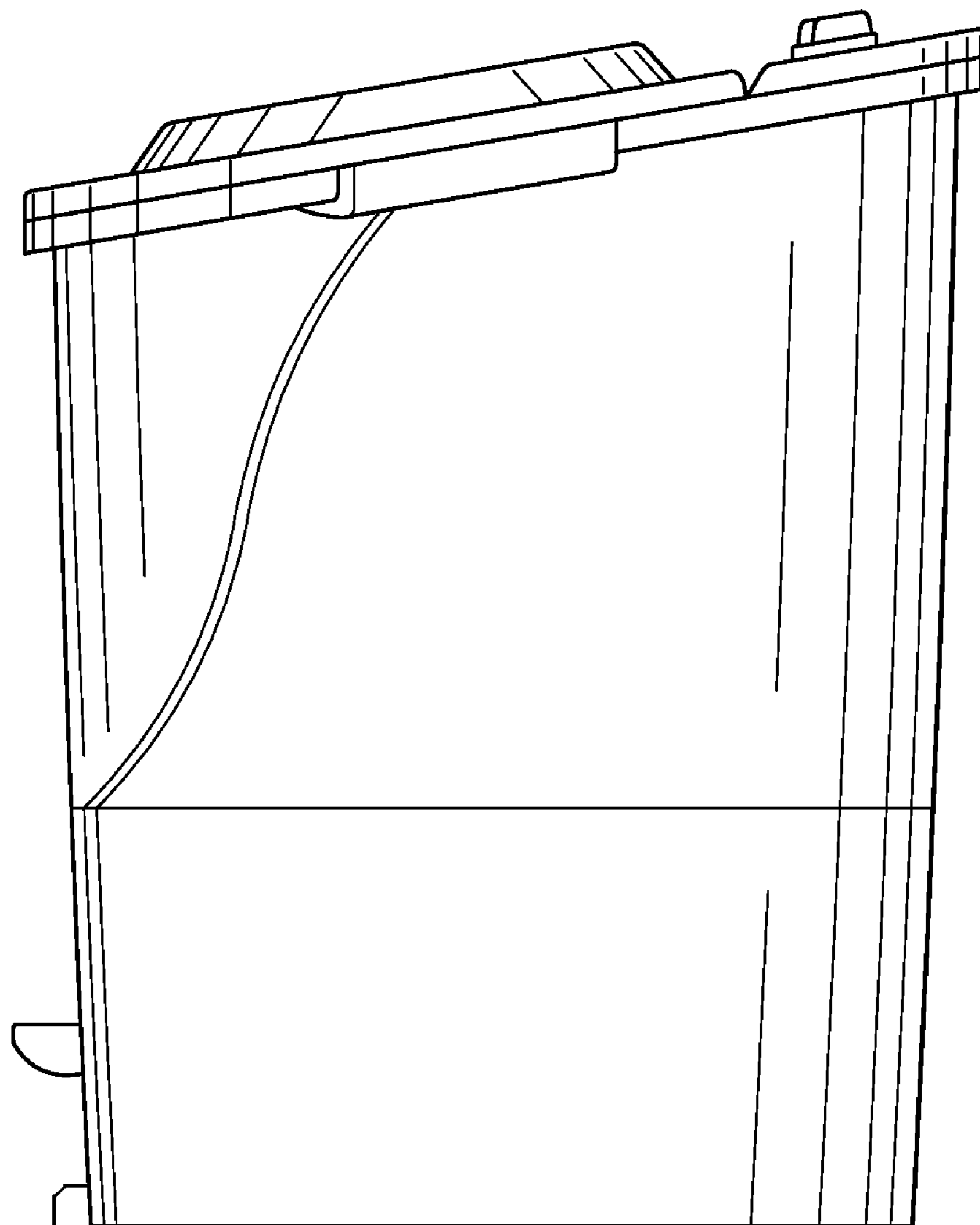


FIG. 5

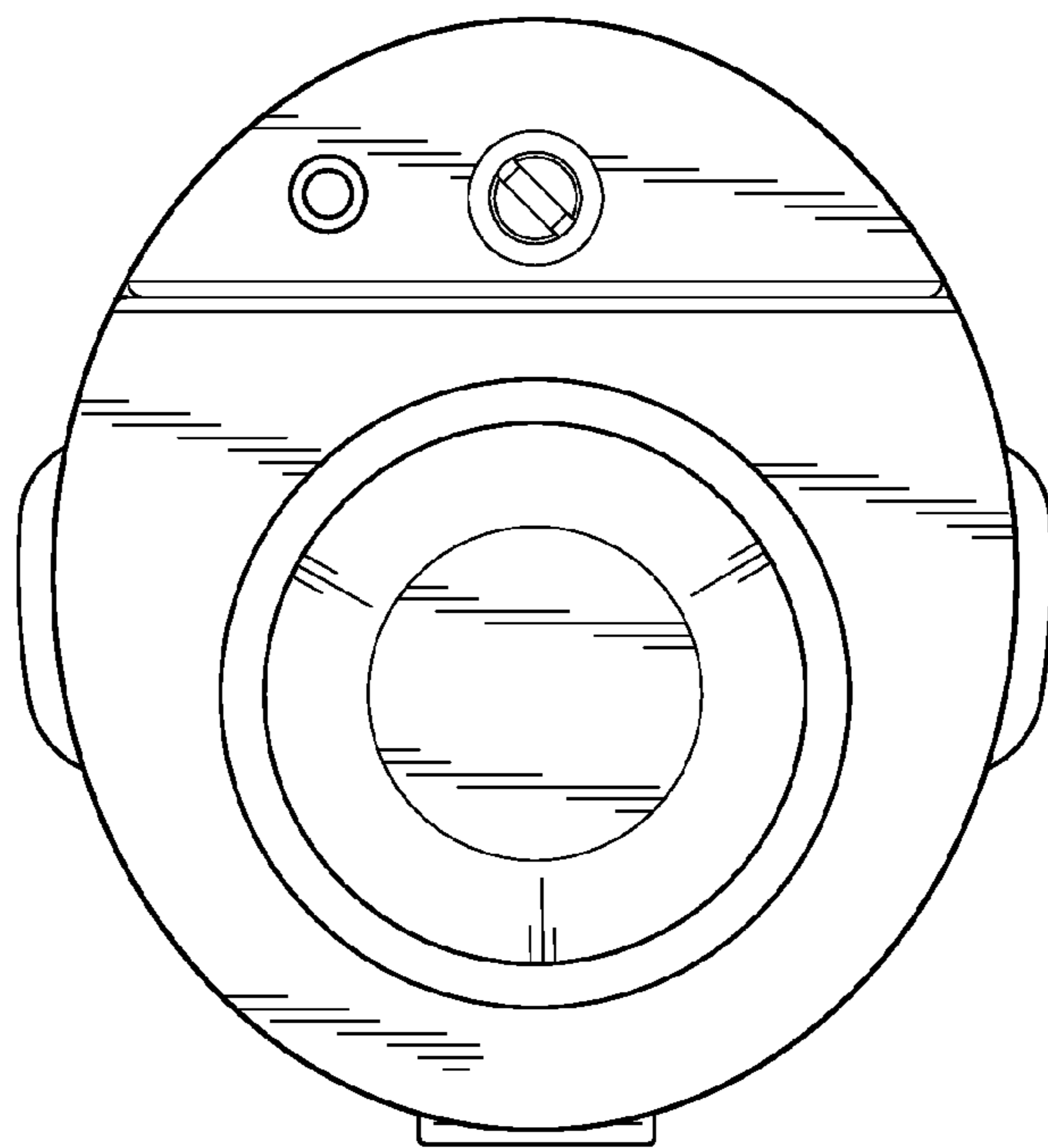


FIG. 6

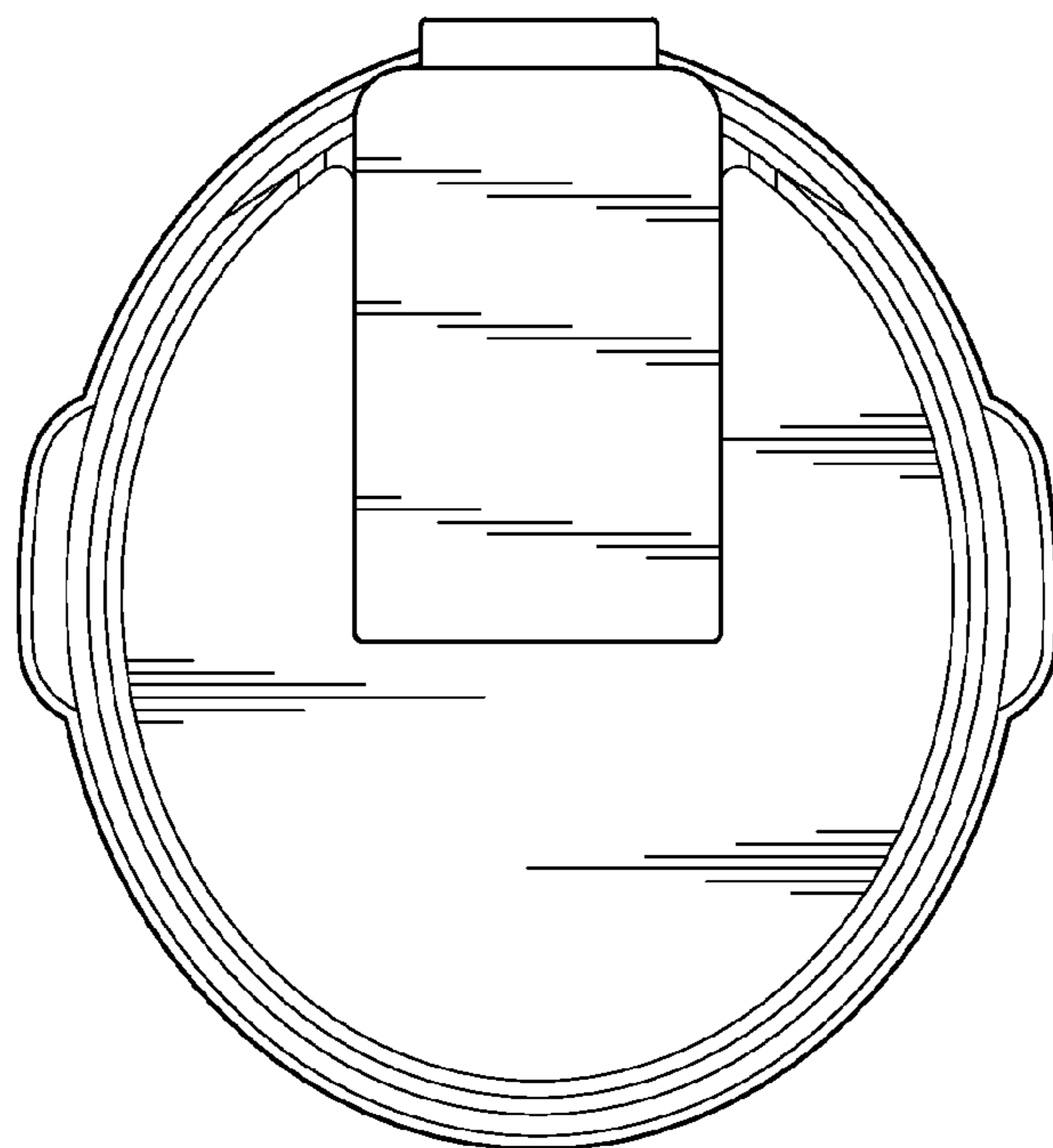


FIG. 7

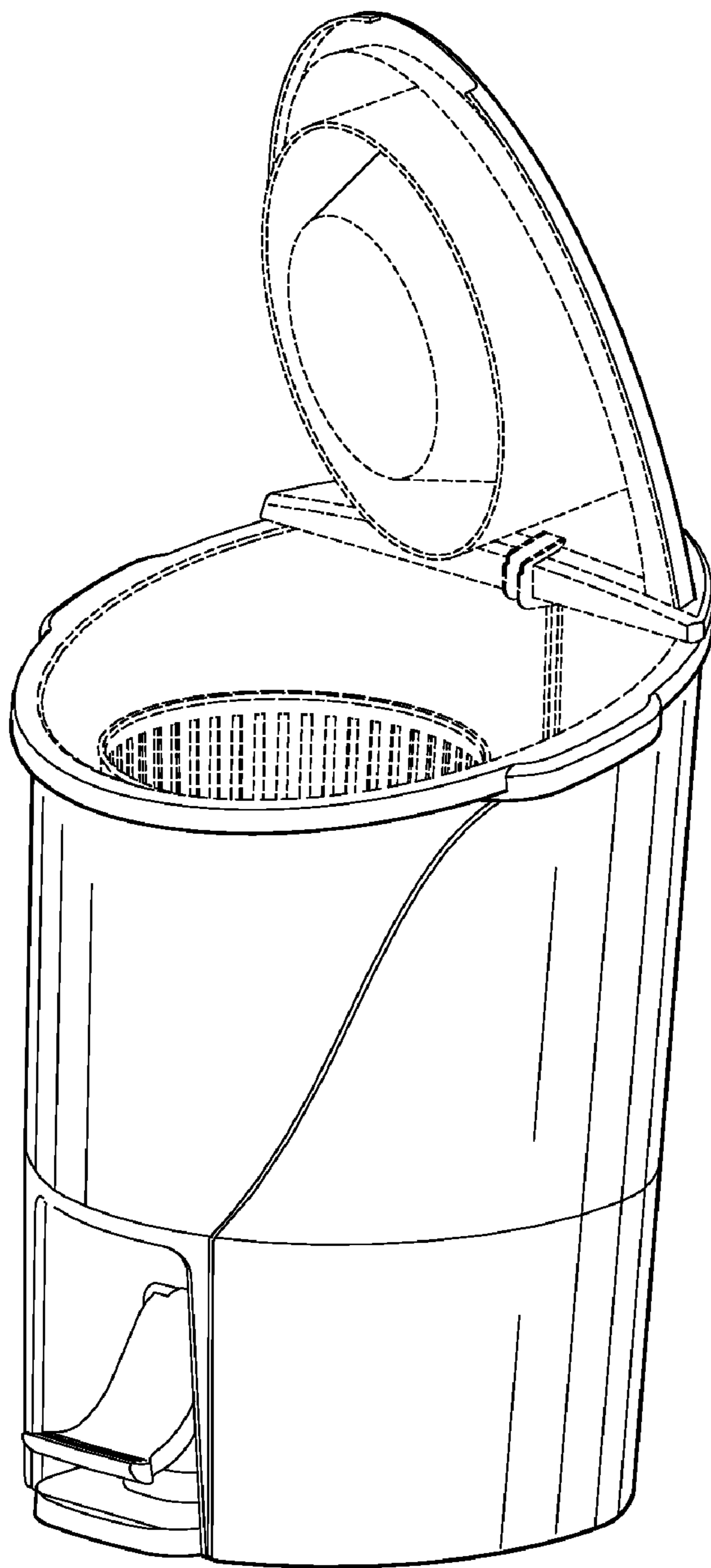


FIG. 8