



US00D623368S

(12) **United States Design Patent**
Benacquisto et al.

(10) **Patent No.:** **US D623,368 S**
(45) **Date of Patent:** **** Sep. 7, 2010**

(54) **VACUUM CLEANER BASE PORTION**
(75) Inventors: **Justin Benacquisto**, Caledonia, MI (US); **Douglas J. Medema**, Belding, MI (US)

(73) Assignee: **Bissell Homecare, Inc.**, Grand Rapids, MI (US)

(**) Term: **14 Years**

(21) Appl. No.: **29/350,678**

(22) Filed: **Nov. 20, 2009**

(51) **LOC (9) Cl.** **15-05**
(52) **U.S. Cl.** **D32/32**
(58) **Field of Classification Search** D32/22,
D32/31-33, 50-51, 38-39; 15/329, 350-351,
15/361-362, 400, 410, 412, 414, 415.1-422,
15/327.1-327.7, 340.2, 383, 1.51, 42, 41.1,
15/398, 363, 377

See application file for complete search history.

(56) **References Cited**

U.S. PATENT DOCUMENTS

D475,823 S *	6/2003	Medema et al.	D32/32
D487,602 S *	3/2004	Roberts et al.	D32/32
D506,047 S *	6/2005	Alford et al.	D32/32
D506,048 S *	6/2005	Downey et al.	D32/32
D506,586 S *	6/2005	Carr et al.	D32/32
D508,153 S *	8/2005	Alford et al.	D32/32
D515,757 S *	2/2006	Leyden	D32/32
D541,498 S *	4/2007	Moine et al.	D32/32

D544,662 S *	6/2007	Carr et al.	D32/32
D544,663 S *	6/2007	Medema et al.	D32/32
D553,314 S *	10/2007	Parr et al.	D32/32
D564,157 S *	3/2008	Seon	D32/32
D571,066 S *	6/2008	Luebbering	D32/32
D587,870 S *	3/2009	Baek et al.	D32/22
D593,266 S *	5/2009	Baek	D32/32
D597,267 S *	7/2009	Santiago	D32/32
D605,371 S *	12/2009	Baek	D32/32
D610,318 S *	2/2010	Shin	D32/22

* cited by examiner

Primary Examiner—Ruth McInroy

(74) *Attorney, Agent, or Firm*—McGarry Bair PC

(57) **CLAIM**

The ornamental design for a vacuum cleaner base portion, as shown and described.

DESCRIPTION

FIG. 1 is a front perspective view of a vacuum cleaner base portion which embodies our design;

FIG. 2 is a front view thereof;

FIG. 3 is a rear view thereof;

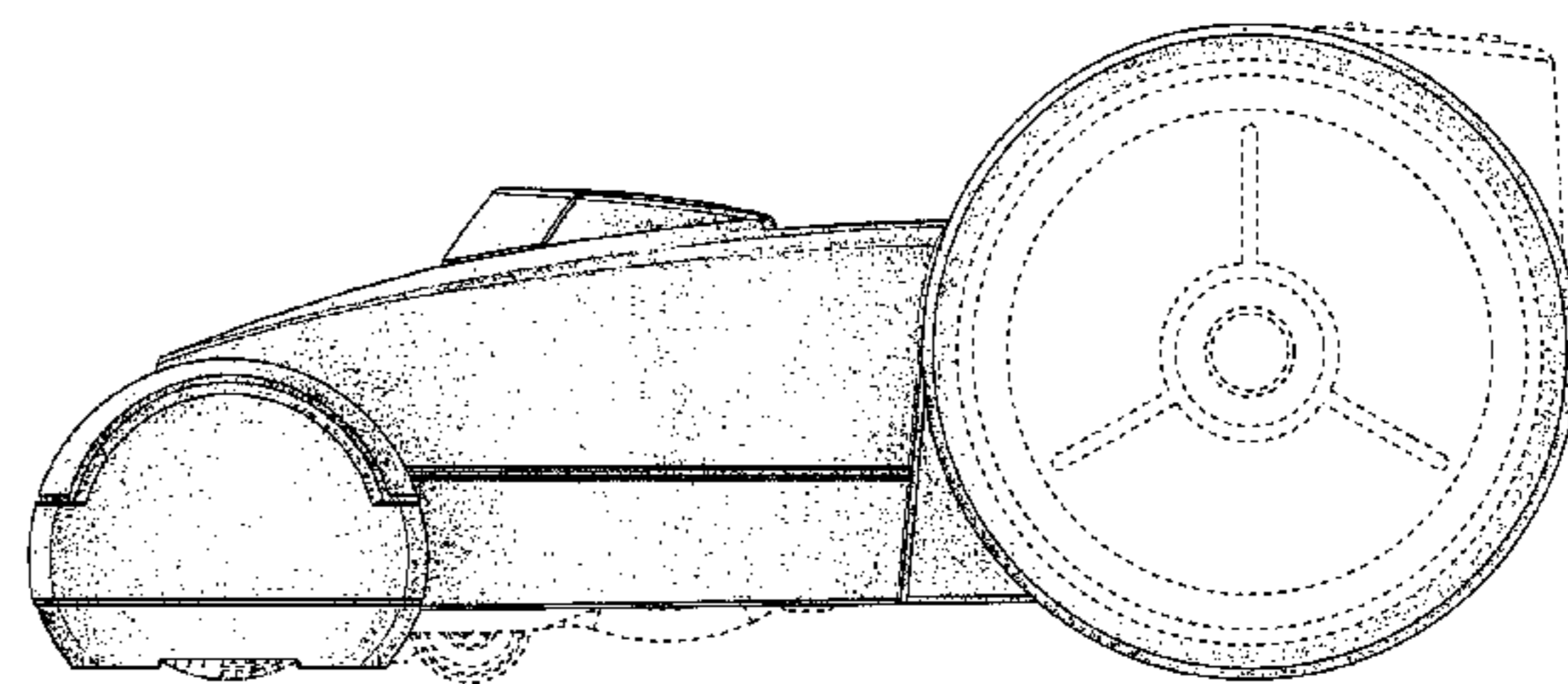
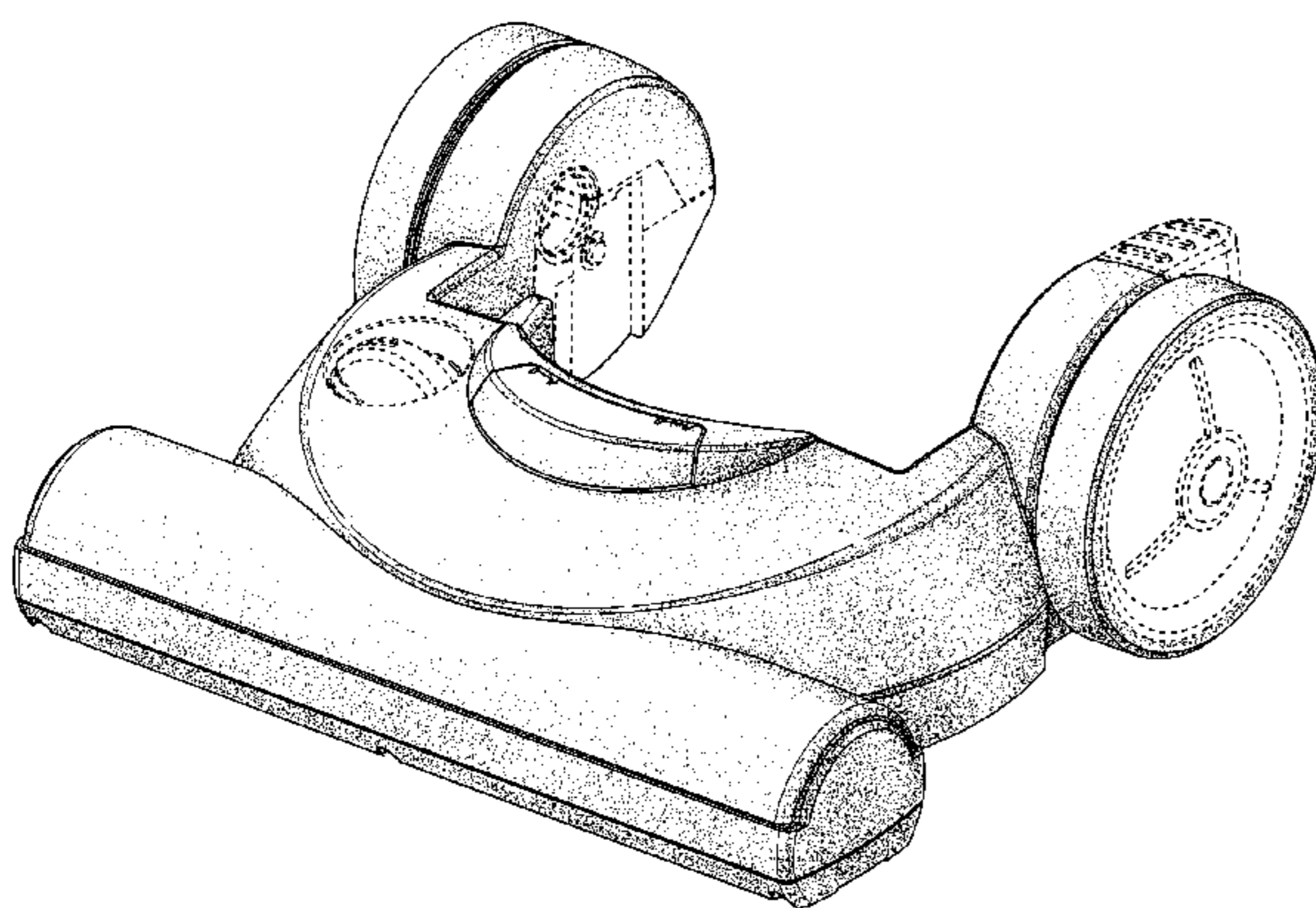
FIG. 4 is a left side view thereof;

FIG. 5 is a right side view thereof; and,

FIG. 6 is a top view thereof.

The details shown in broken lines form no part of the claimed design.

1 Claim, 4 Drawing Sheets



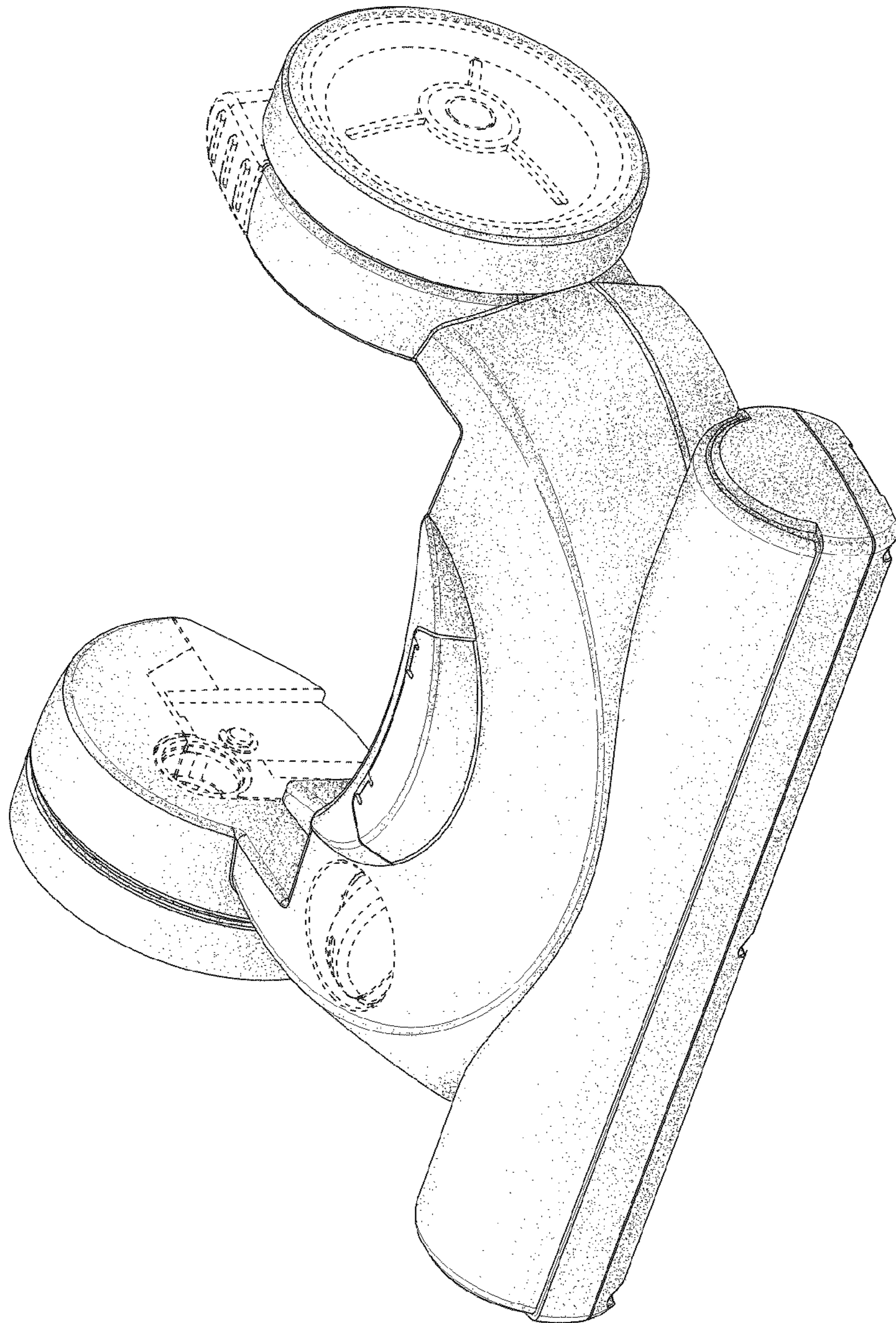


Fig. 1

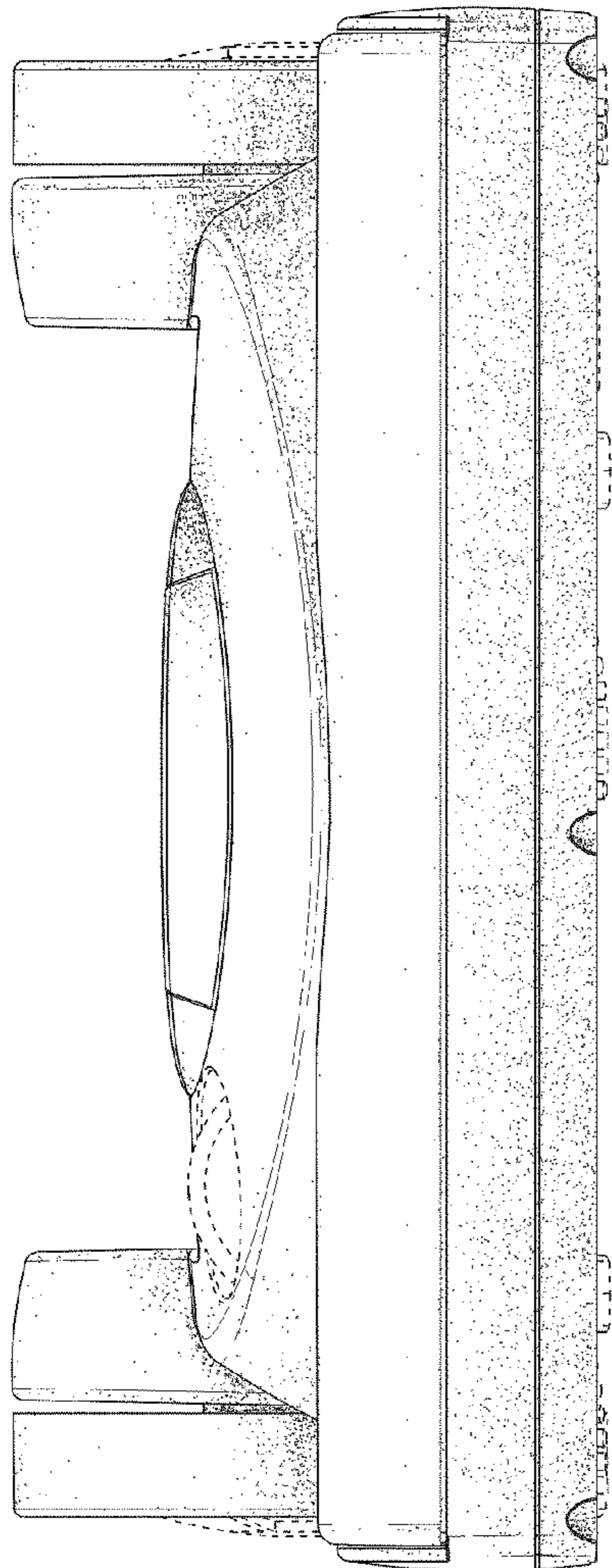


Fig. 2

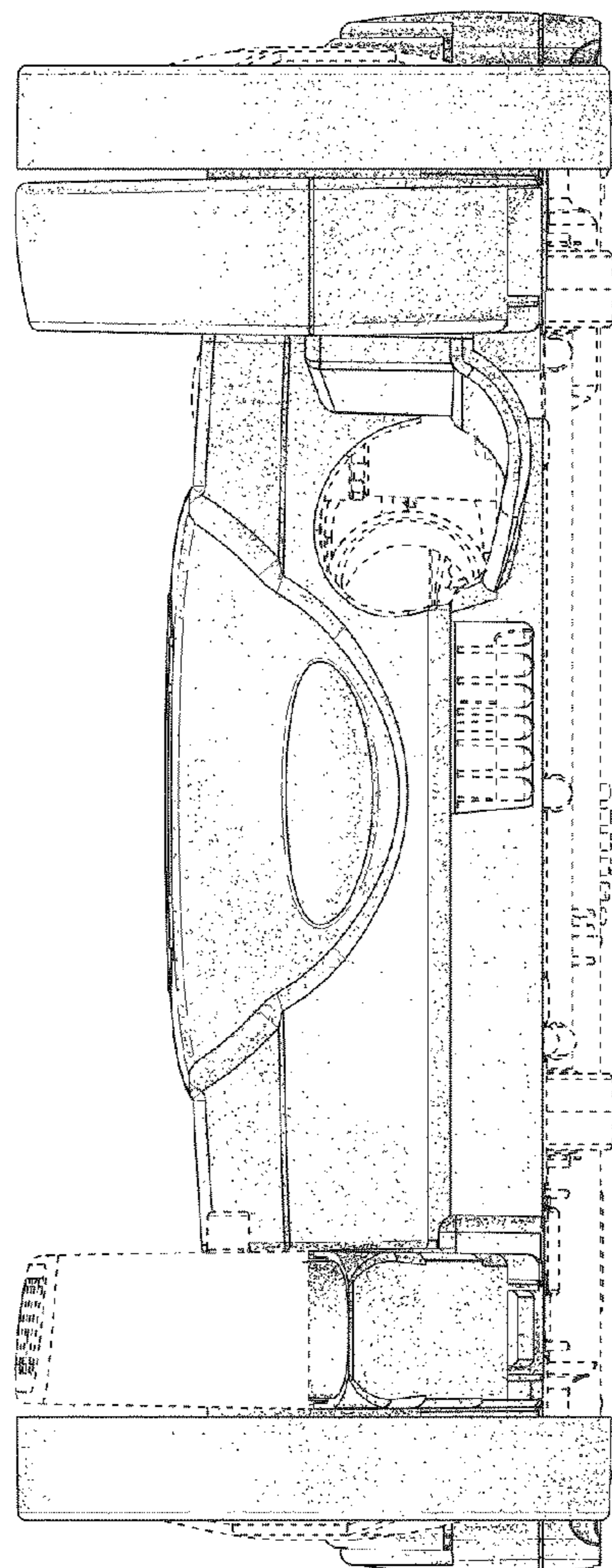


Fig. 3

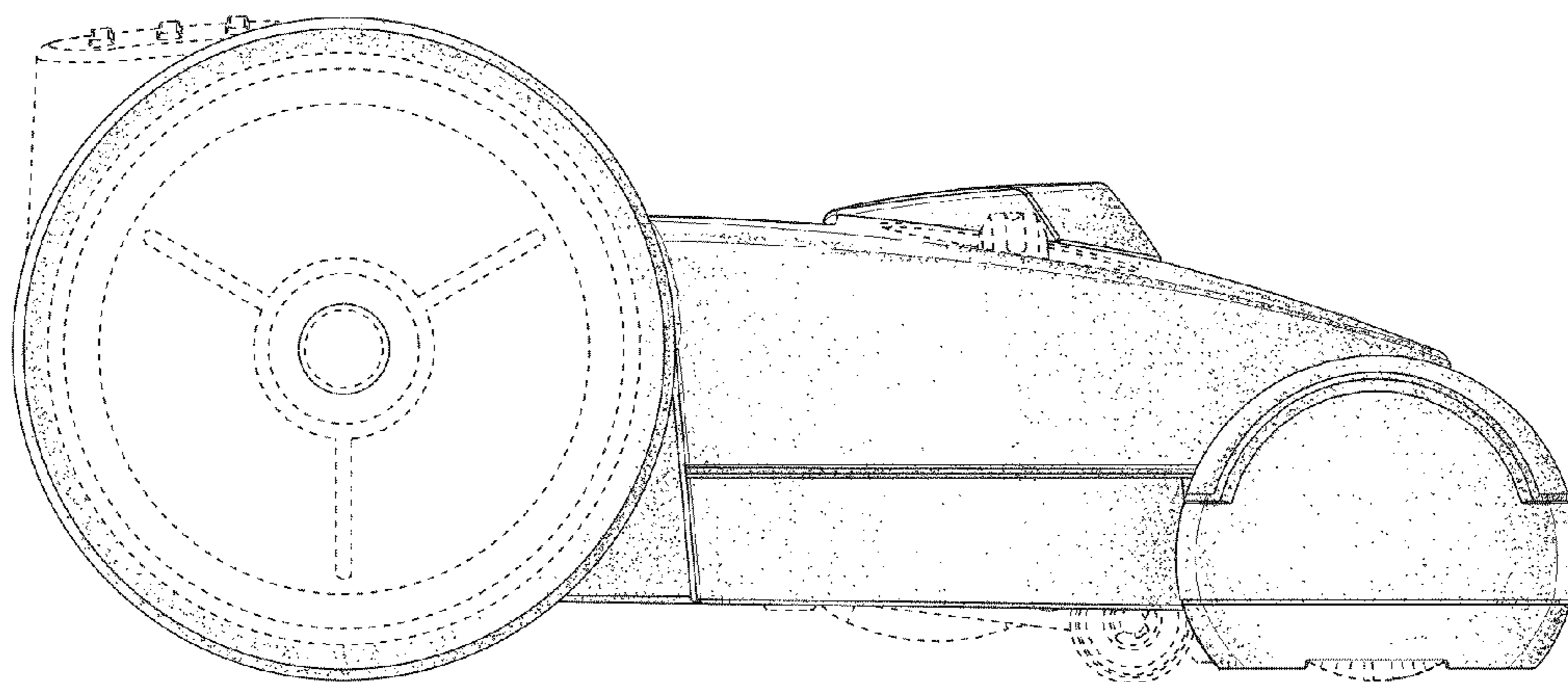


Fig. 4

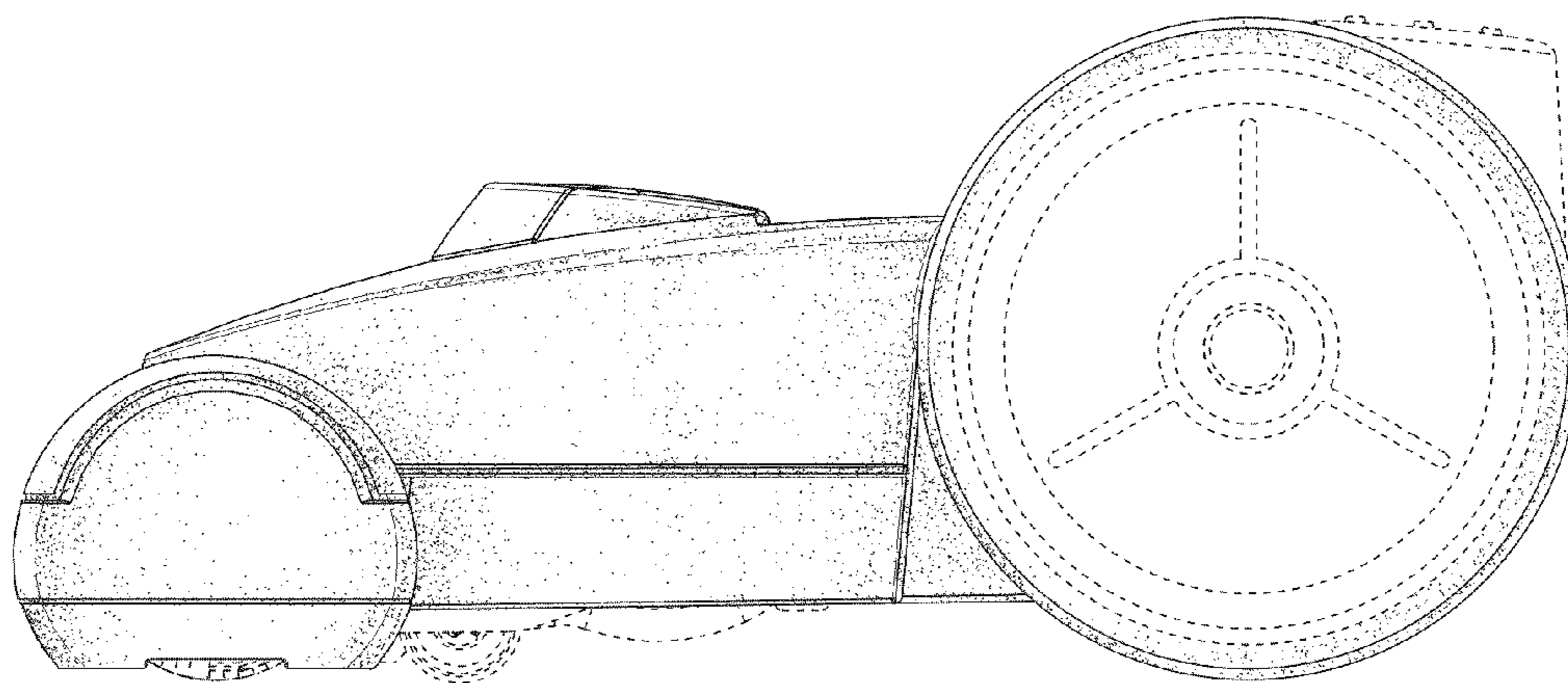


Fig. 5

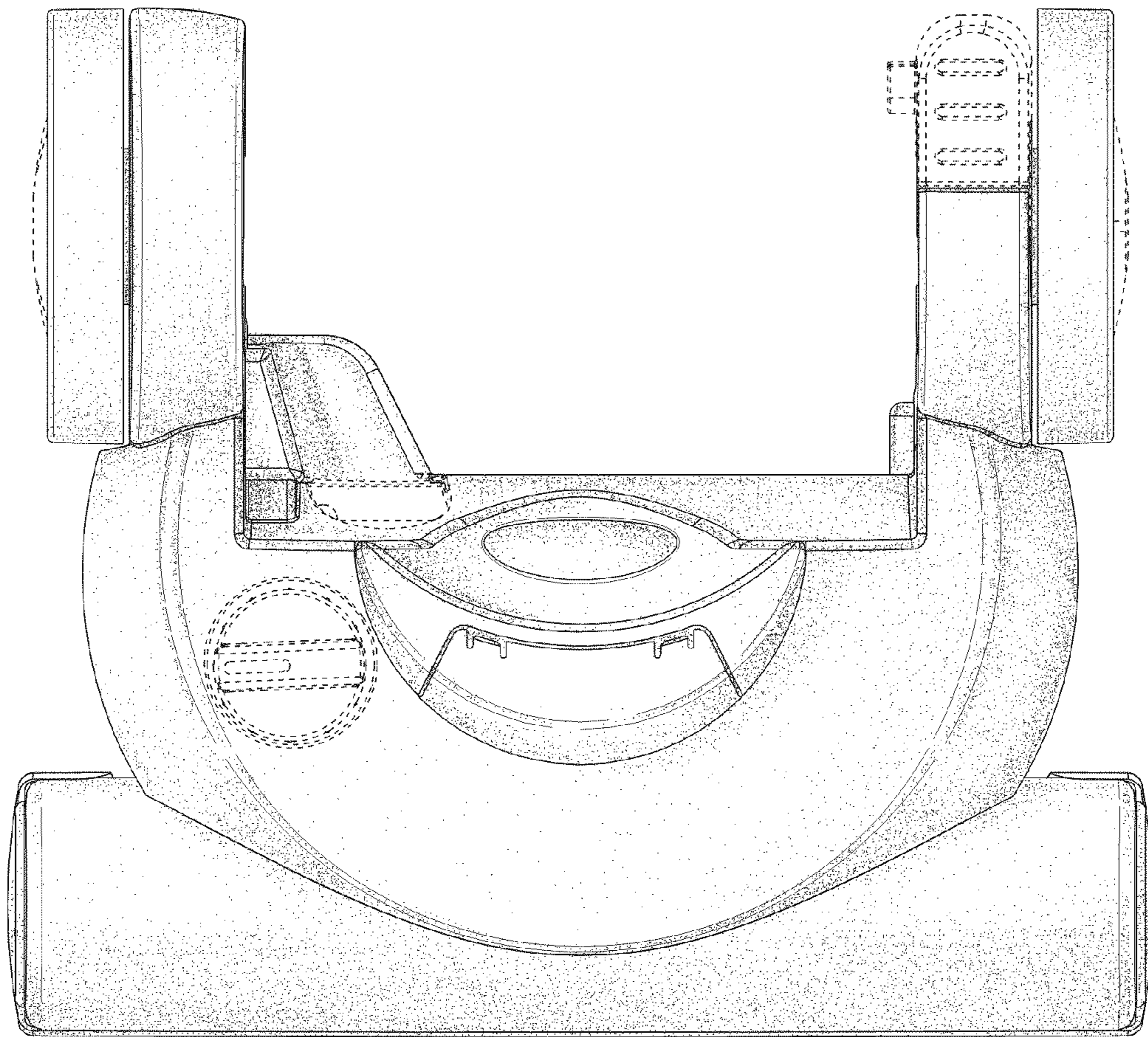


Fig. 6