



US00D623367S

(12) **United States Design Patent**
Gottschall et al.

(10) **Patent No.:** **US D623,367 S**

(45) **Date of Patent:** **** *Sep. 7, 2010**

(54) **VACUUM CLEANER ACCESSORY HOLDER**

(75) Inventors: **Jason Gottschall**, Williamsport, PA
(US); **Robert L. Crevling, Jr.**, Cogan
Station, PA (US)

(73) Assignee: **Shop Vac Corporation**, Williamsport,
PA (US)

(**) Term: **14 Years**

(21) Appl. No.: **29/343,615**

(22) Filed: **Sep. 16, 2009**

(51) **LOC (9) Cl.** **15-05**

(52) **U.S. Cl.** **D32/31**

(58) **Field of Classification Search** D32/21,
D32/23, 31; 15/327.1, 327.2, 327.4, 327.5,
15/327.7, 320-321, 323, 301, 312.1, 314,
15/353, 412, 347; 220/23.83, 23.6
See application file for complete search history.

(56) **References Cited**

U.S. PATENT DOCUMENTS

5,313,686	A	5/1994	Berfield	
D354,380	S *	1/1995	Stephens	D32/31
D361,179	S *	8/1995	Moine et al.	D32/23
D374,523	S *	10/1996	Tomasiak	D32/31
D422,764	S *	4/2000	Wood	D32/31
D443,739	S *	6/2001	Young et al.	D32/23
D446,892	S *	8/2001	Griffin	D32/23
D447,293	S *	8/2001	Griffin	D32/23

D447,609	S *	9/2001	Hult et al.	D32/31
D447,842	S *	9/2001	Griffin	D32/23
D454,672	S *	3/2002	Griffin	D32/23
D460,230	S *	7/2002	Griffin	D32/31
D463,079	S *	9/2002	Leyden	D32/31
D470,281	S *	2/2003	Griffin et al.	D32/23
6,543,085	B2 *	4/2003	Holsten et al.	15/410
D479,023	S *	8/2003	Holsten et al.	D32/23
D486,280	S *	2/2004	Holsten et al.	D32/23
6,938,299	B2 *	9/2005	Martinez et al.	15/323
D525,114	S	7/2006	Berfield	
2004/0098822	A1 *	5/2004	Martinez et al.	15/323

* cited by examiner

Primary Examiner—Ruth McInroy

(74) *Attorney, Agent, or Firm*—Marshall, Gerstein & Borun
LLP; Richard M. LaBarge; Robert M. Gerstein

(57) **CLAIM**

The ornamental design for a vacuum cleaner accessory holder, as shown and described.

DESCRIPTION

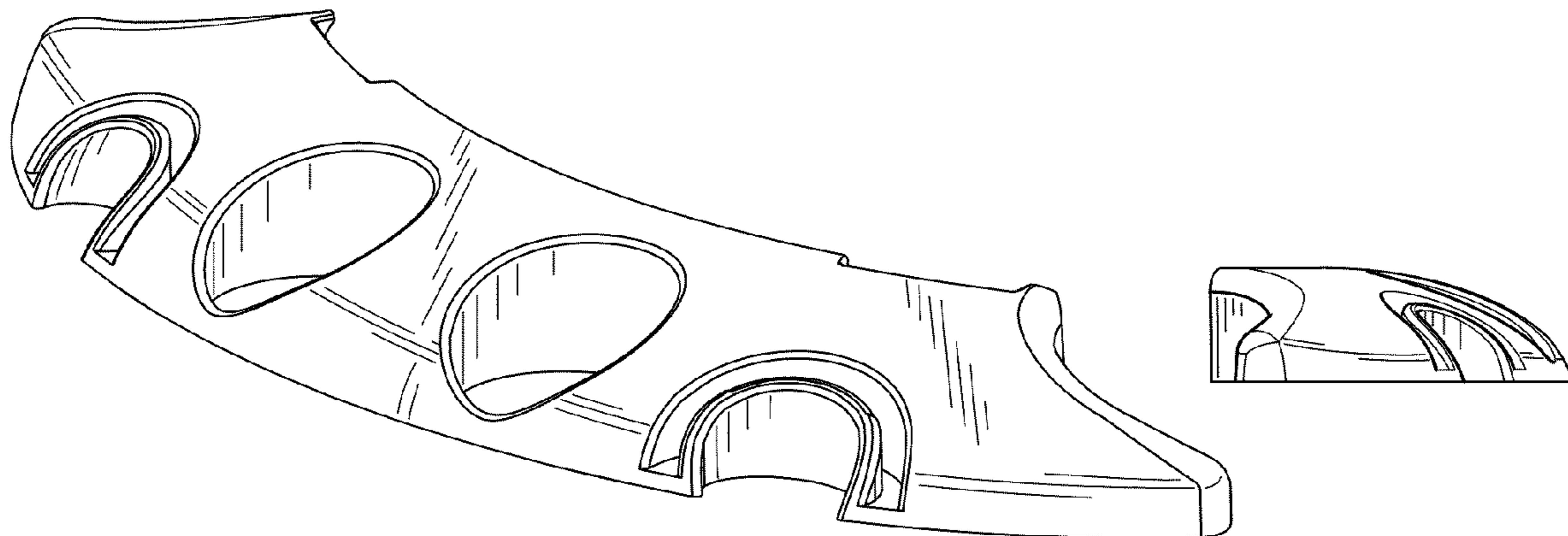
FIG. 1 is a top, front and left side perspective view of a vacuum cleaner accessory holder showing our new design;

FIG. 2 is a front elevation view thereof;

FIG. 3 is a right side elevation view thereof, the opposite side being a mirror image; and,

FIG. 4 is a top plan view thereof.

1 Claim, 1 Drawing Sheet



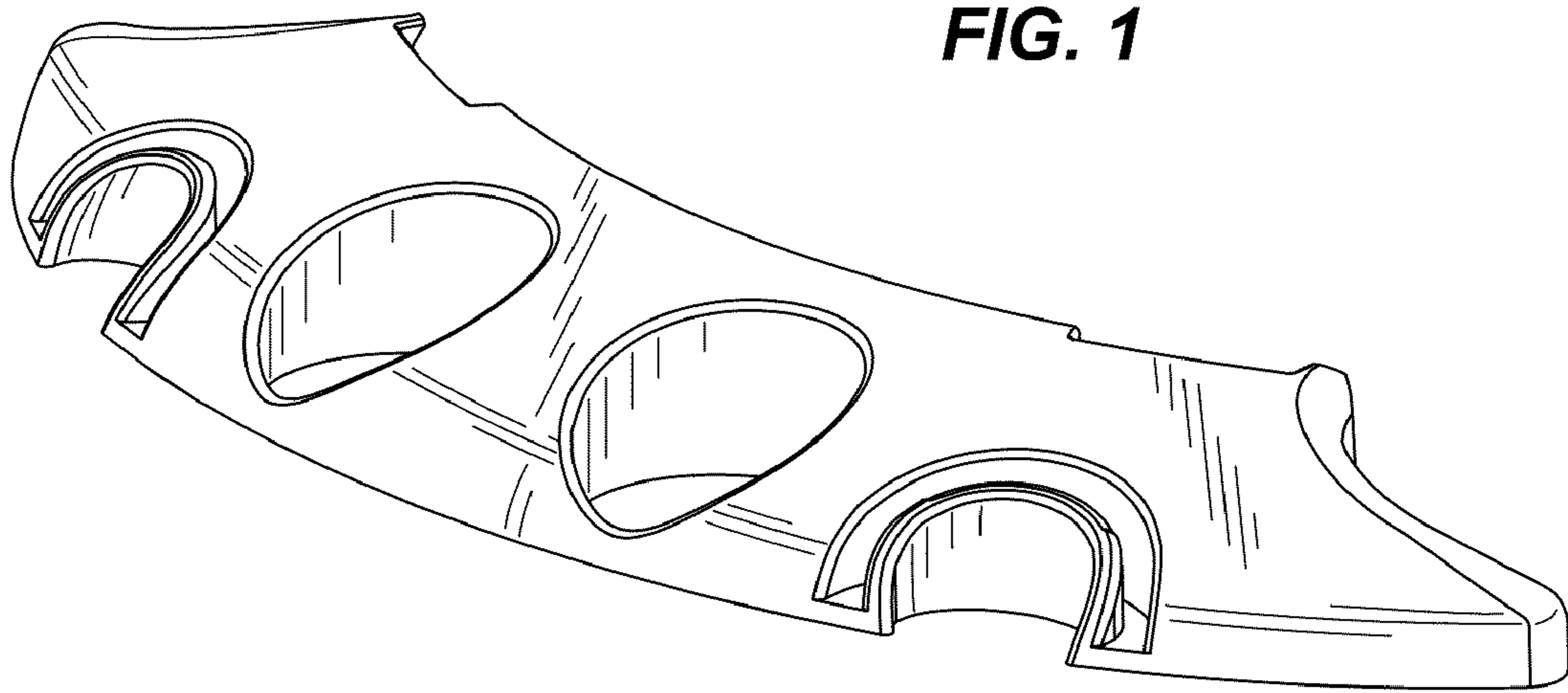


FIG. 1

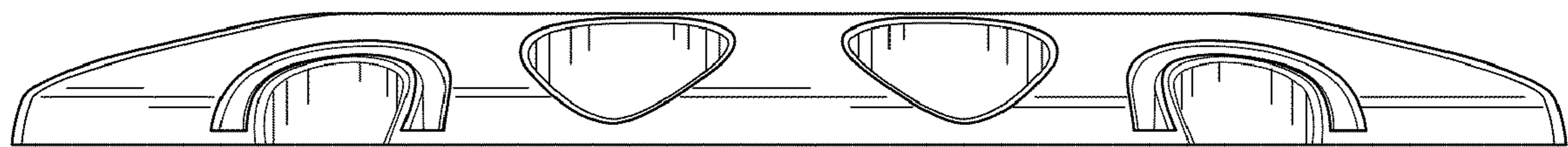


FIG. 2

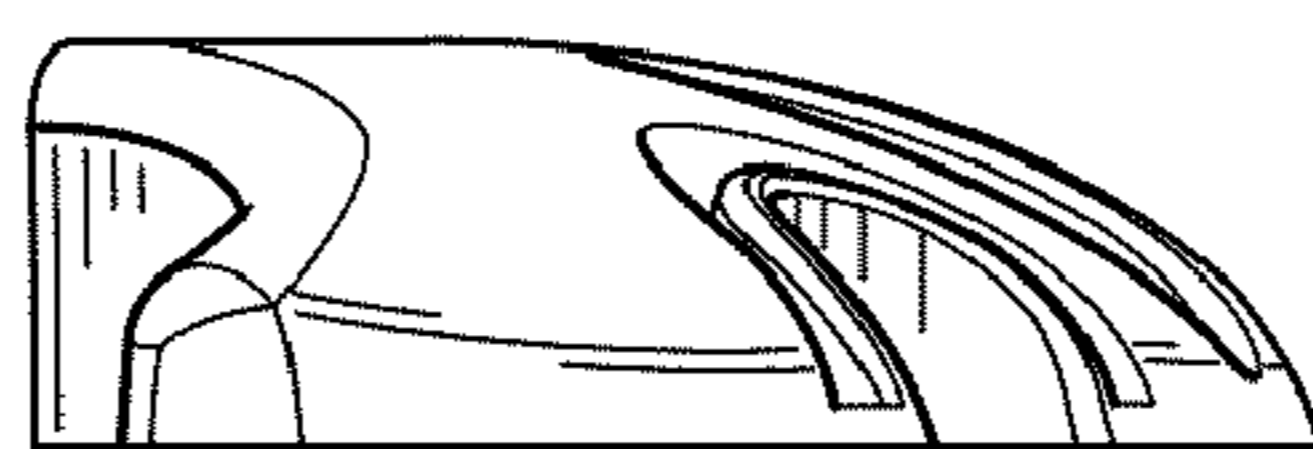


FIG. 3

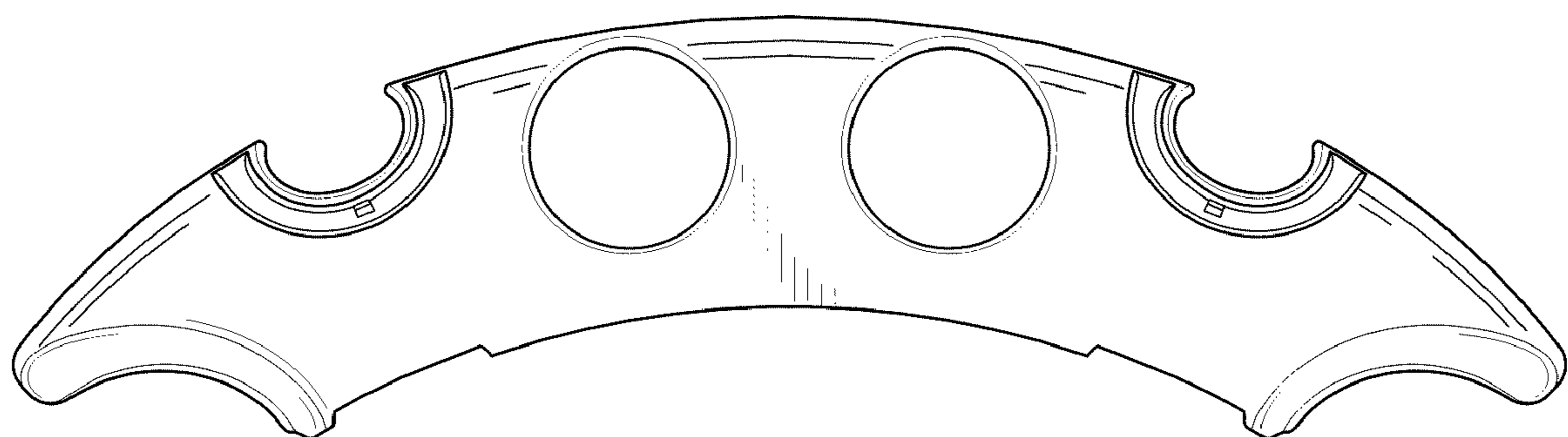


FIG. 4