



US00D623364S

(12) **United States Design Patent**  
**Ediger et al.**

(10) **Patent No.:** **US D623,364 S**

(45) **Date of Patent:** **\*\* Sep. 7, 2010**

(54) **STEAMER**

(75) Inventors: **Glen W. Ediger**, North Newton, KS (US); **Gary P. Israel**, Andover, KS (US); **Matthew W. McPhail**, Wichita, KS (US)

(73) Assignee: **Vornado Air LLC**, Andover, KS (US)

(\*\*) Term: **14 Years**

(21) Appl. No.: **29/356,848**

(22) Filed: **Mar. 3, 2010**

(51) **LOC (9) Cl.** ..... **15-05**

(52) **U.S. Cl.** ..... **D32/17**

(58) **Field of Classification Search** ..... D32/17-18, D32/9; 15/320-322, 344; D4/114; 134/198, 134/19; 38/77.83, 69; 392/403-405, 386; 8/149.3; 141/59; 239/538, 583, 526; 68/5 A, 68/5 R, 222; D23/224-225

See application file for complete search history.

(56) **References Cited**

U.S. PATENT DOCUMENTS

D338,989 S *	8/1993	Ambrosiano	.....	D32/15
D445,973 S *	7/2001	Chen	.....	D32/21
D452,594 S *	12/2001	Rosa	.....	D32/21
D463,889 S *	10/2002	Buzzi	.....	D32/17
D464,180 S *	10/2002	Chen	.....	D32/9
D471,682 S *	3/2003	Chen	.....	D32/21
D473,025 S *	4/2003	Simmons	.....	D32/17
D499,517 S *	12/2004	Chen	.....	D32/17
D501,587 S *	2/2005	Hopper et al.	.....	D32/15
D505,526 S *	5/2005	Tsen	.....	D32/21
D519,249 S *	4/2006	Liu et al.	.....	D32/21
D520,196 S *	5/2006	Liu	.....	D32/21

D522,192 S *	5/2006	Liu et al.	.....	D32/21
D523,597 S *	6/2006	Lee	.....	D32/15
7,103,270 B1 *	9/2006	Chen	.....	392/386
D530,468 S *	10/2006	Lee	.....	D32/21
D531,768 S *	11/2006	Lee	.....	D32/21
D537,215 S *	2/2007	Foersterling	.....	D32/9
D576,771 S *	9/2008	Reiner	.....	D32/9
D580,607 S *	11/2008	Tobias	.....	D32/17
D599,511 S *	9/2009	Massip et al.	.....	D32/17
2004/0144140 A1 *	7/2004	Lee	.....	68/222
2010/0031707 A1 *	2/2010	Krebs et al.	.....	68/222

\* cited by examiner

Primary Examiner—Ruth McInroy

(74) Attorney, Agent, or Firm—Advent IP

(57) **CLAIM**

We claim the ornamental design for a steamer, as shown and described.

**DESCRIPTION**

FIG. 1 is a front perspective view of a steamer showing our new design;

FIG. 2 is a rear perspective view thereof;

FIG. 3 is a top plan view thereof;

FIG. 4 is a bottom plan view thereof;

FIG. 5 is a front elevation view thereof;

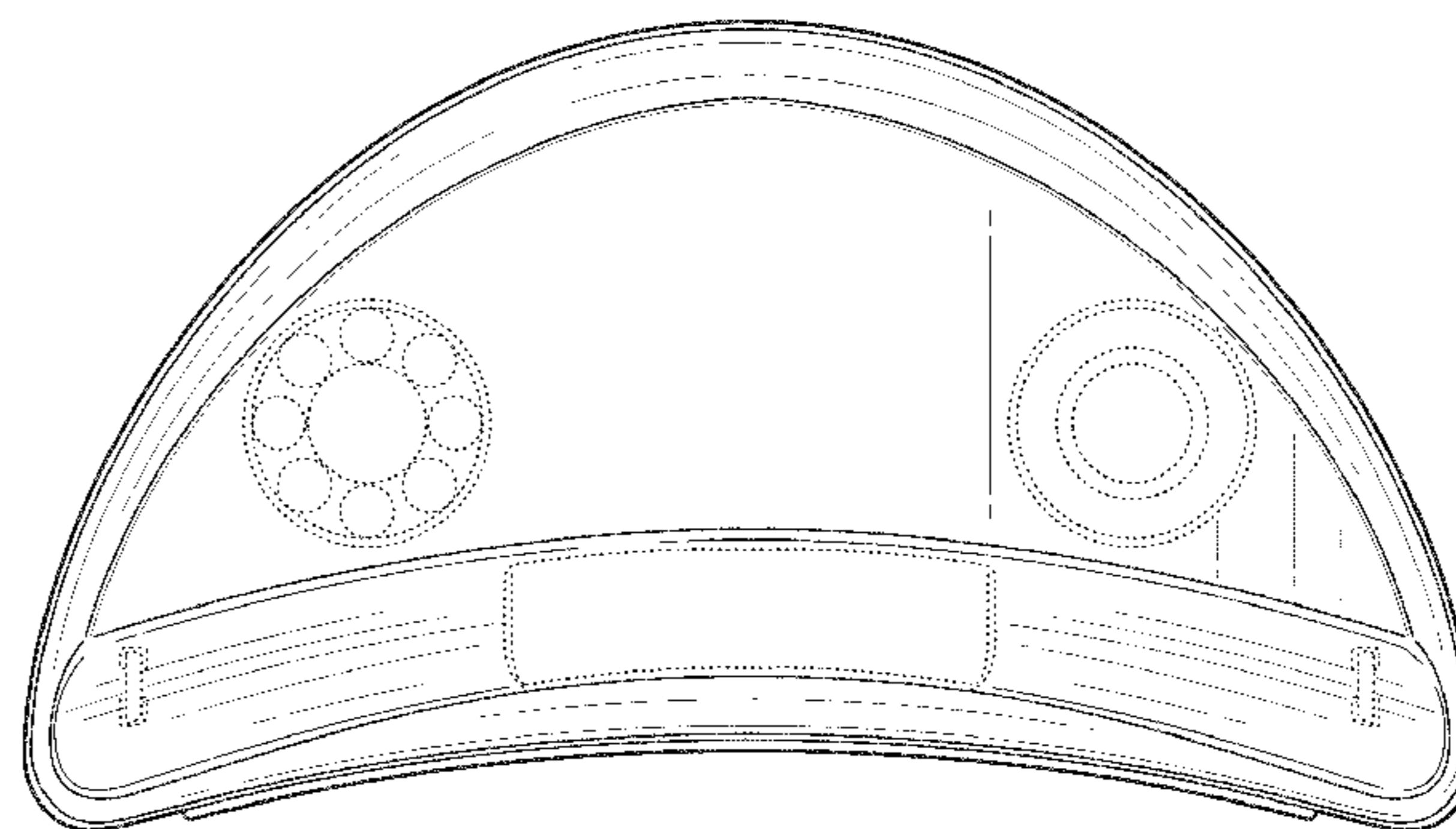
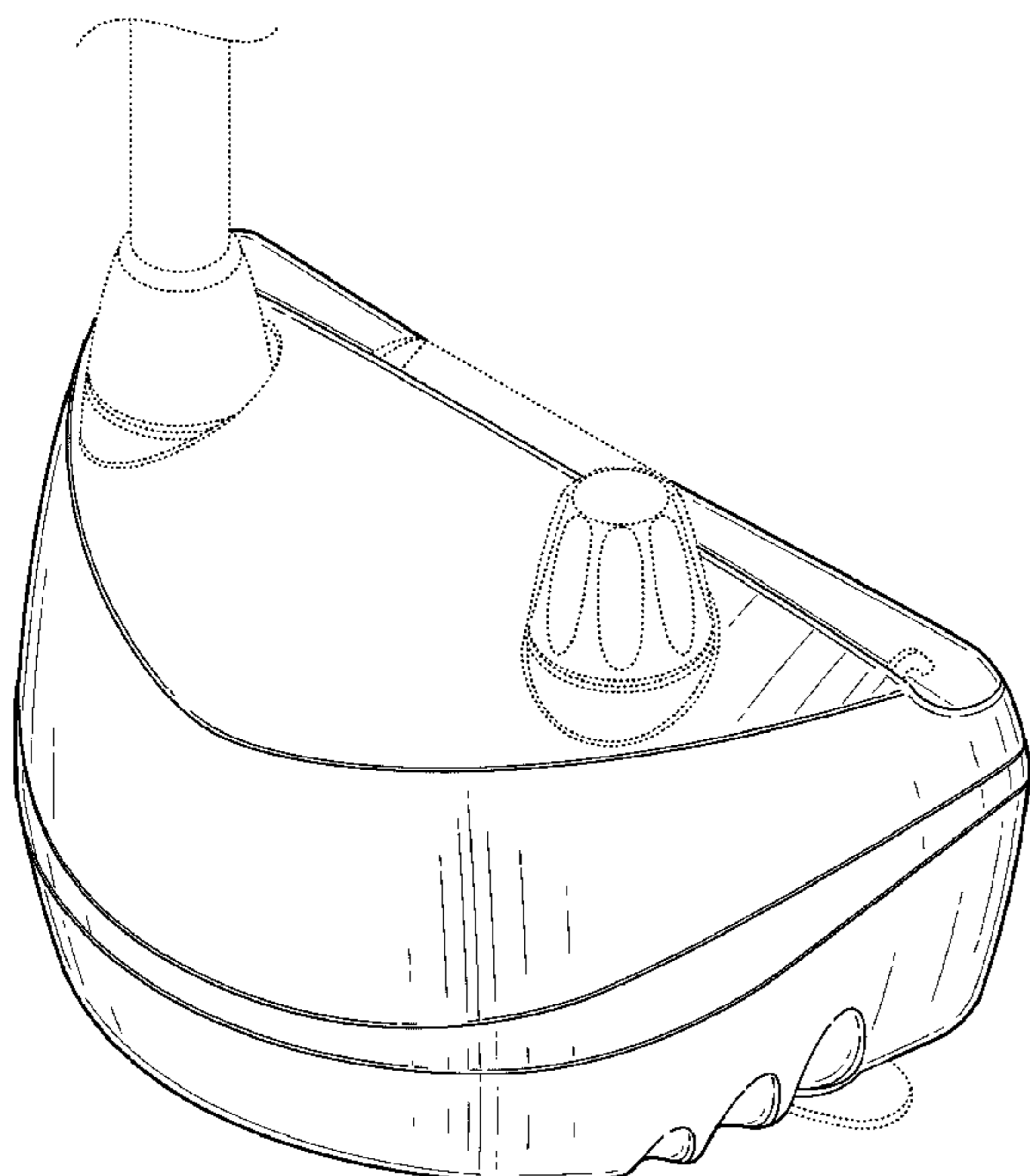
FIG. 6 is a rear elevation view thereof;

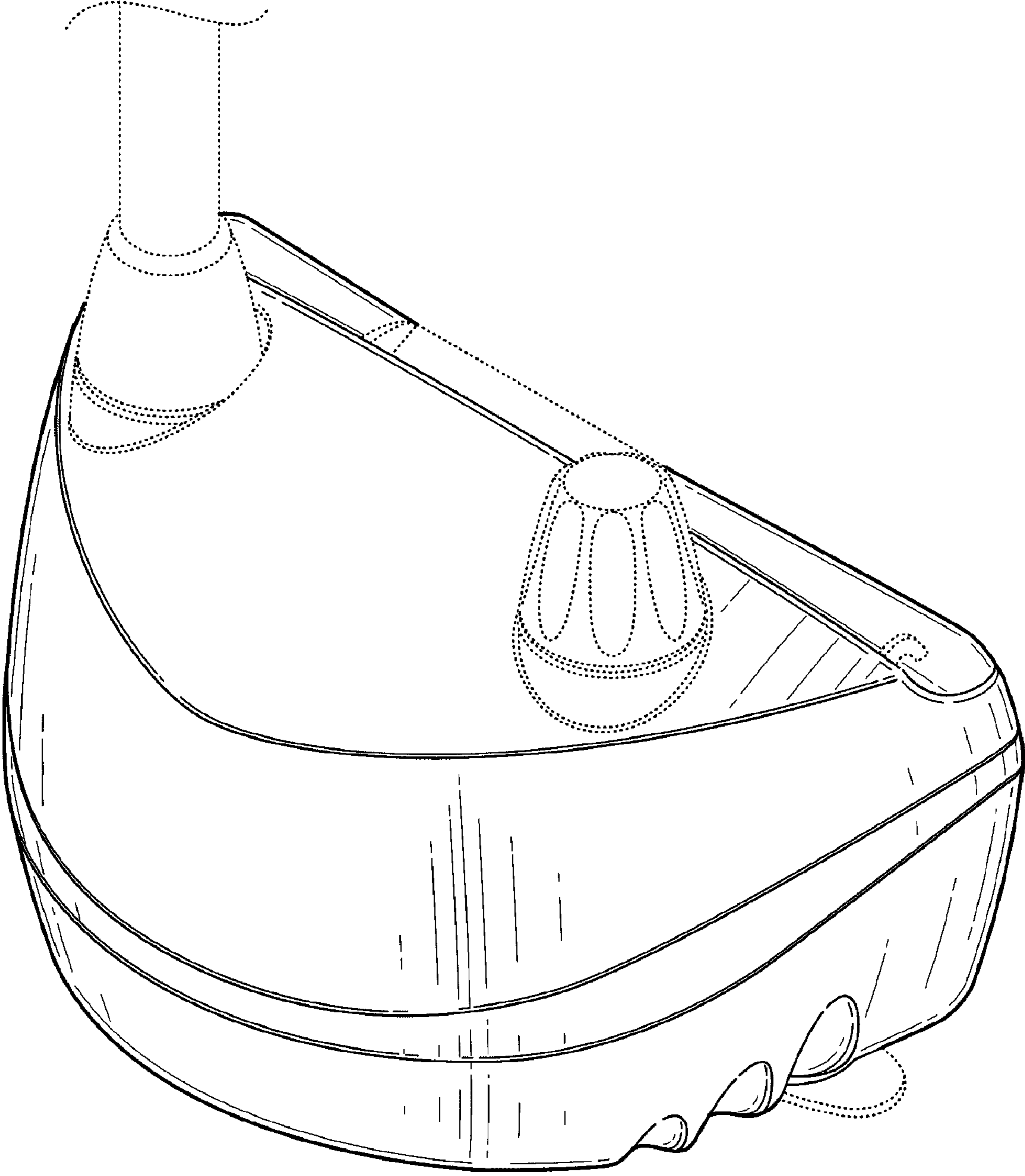
FIG. 7 is a right side elevation view thereof; and,

FIG. 8 is a left side elevation view thereof.

The details shown in broken lines form no part of the claimed design.

**1 Claim, 8 Drawing Sheets**





**FIG. 1**

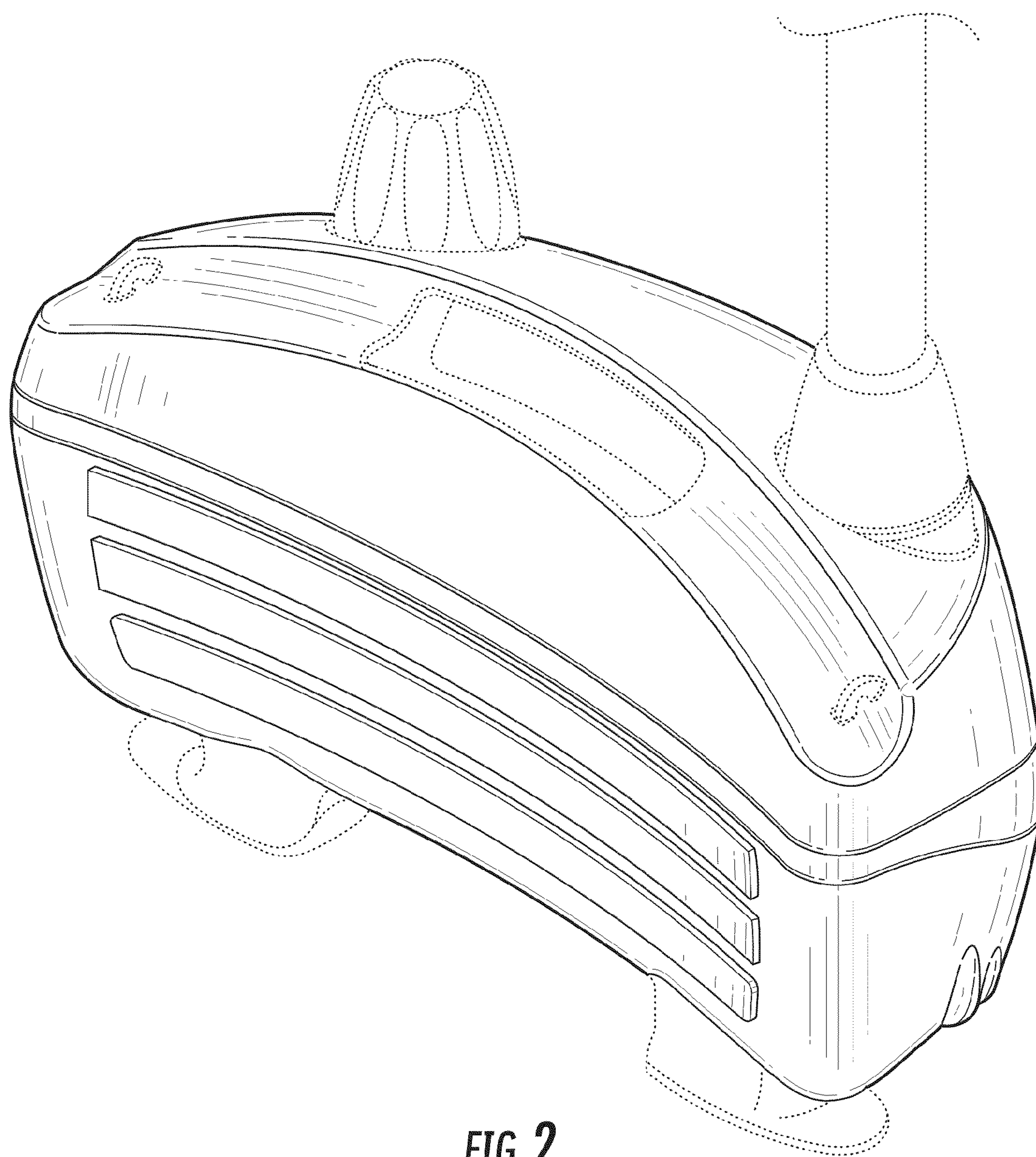


FIG. 2



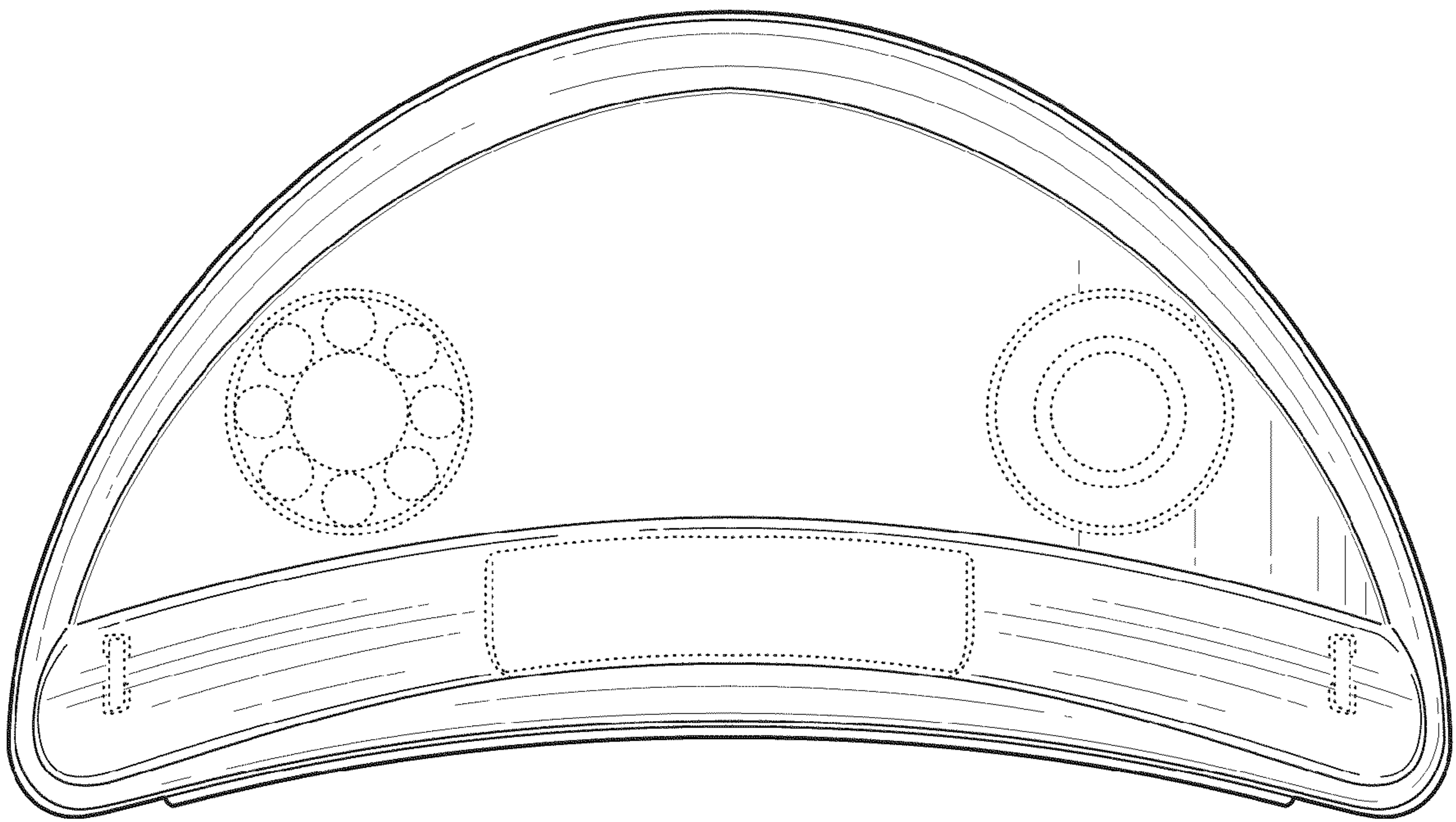


FIG. 3

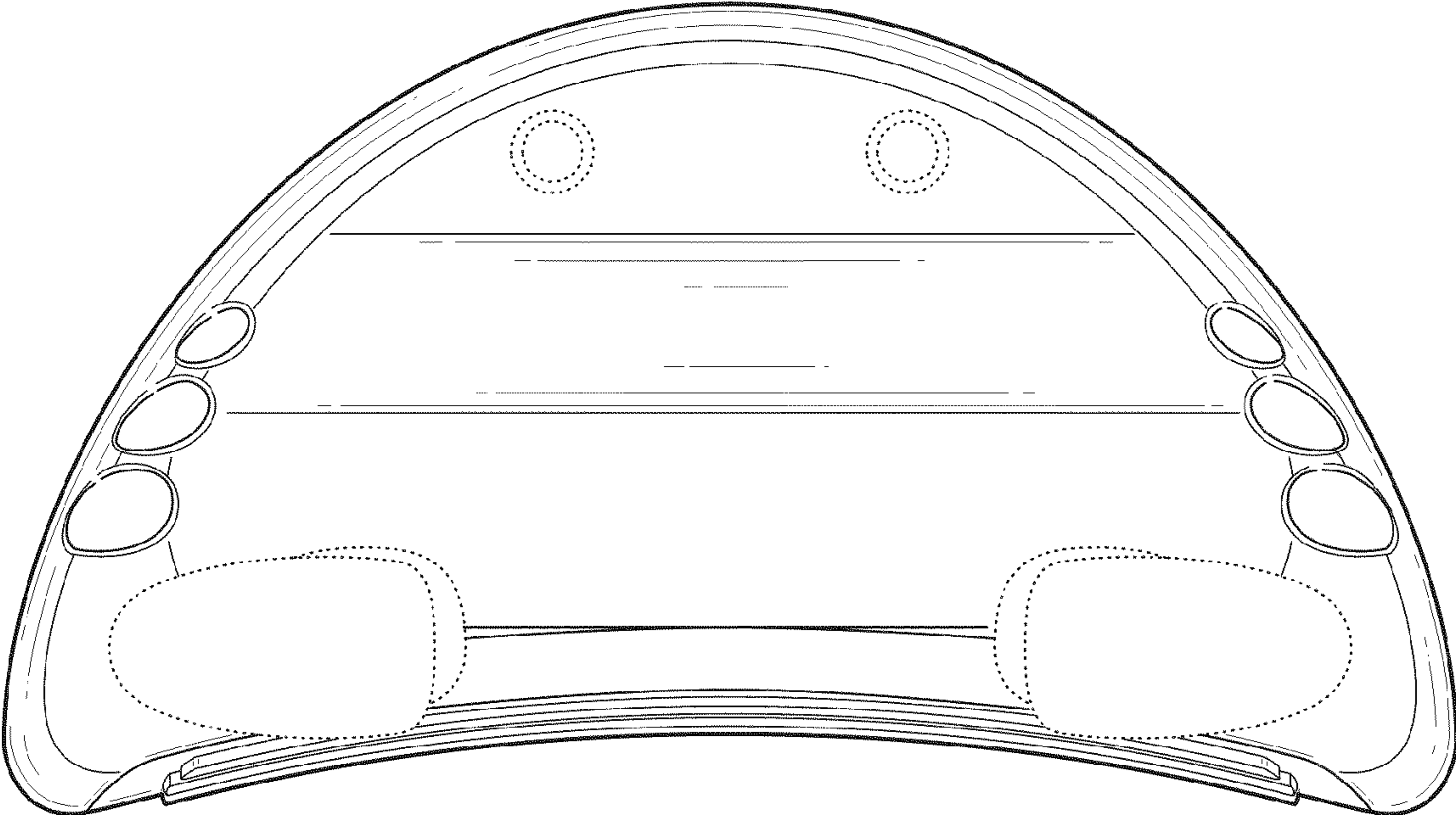


FIG. 4

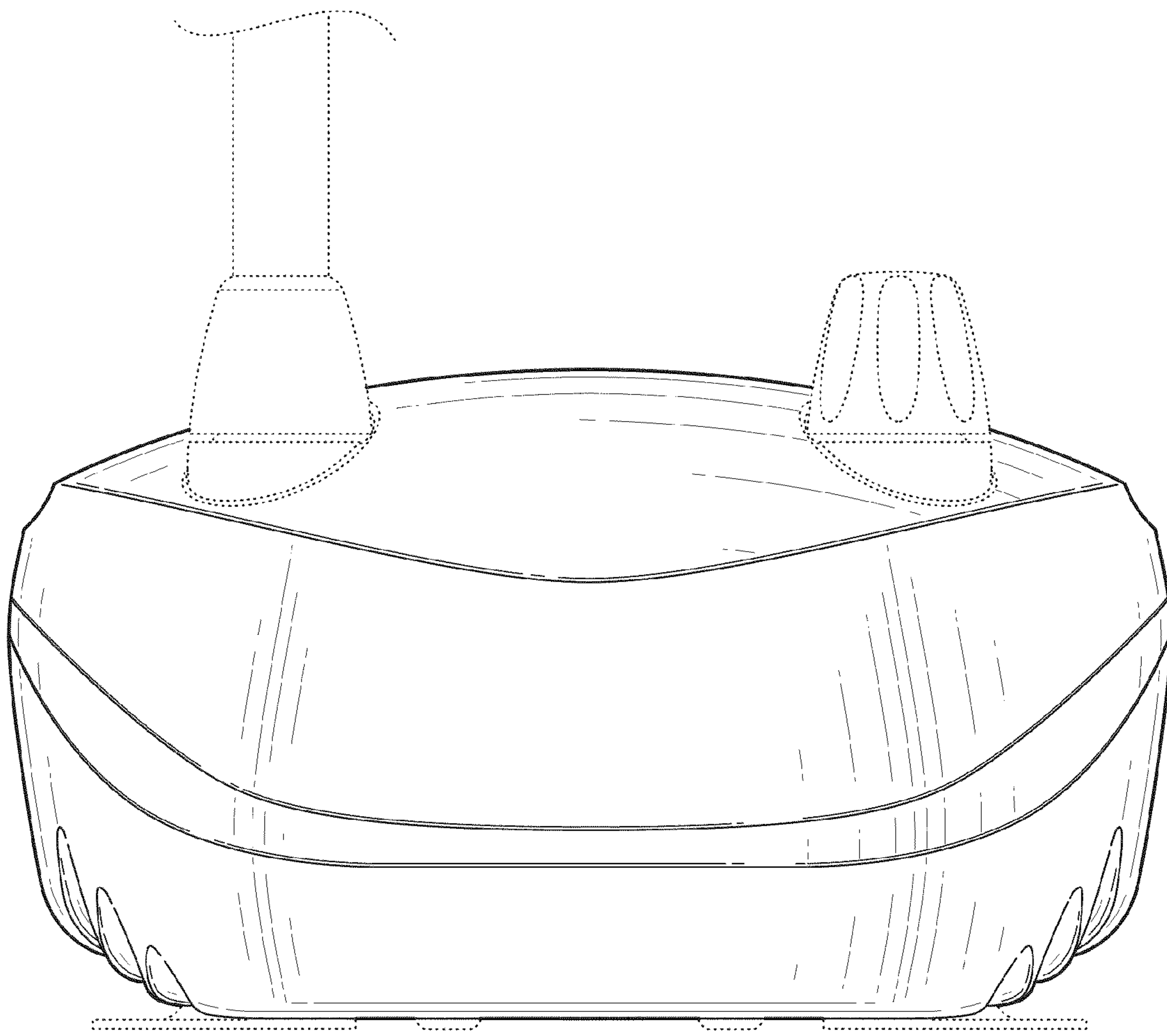


FIG. 5

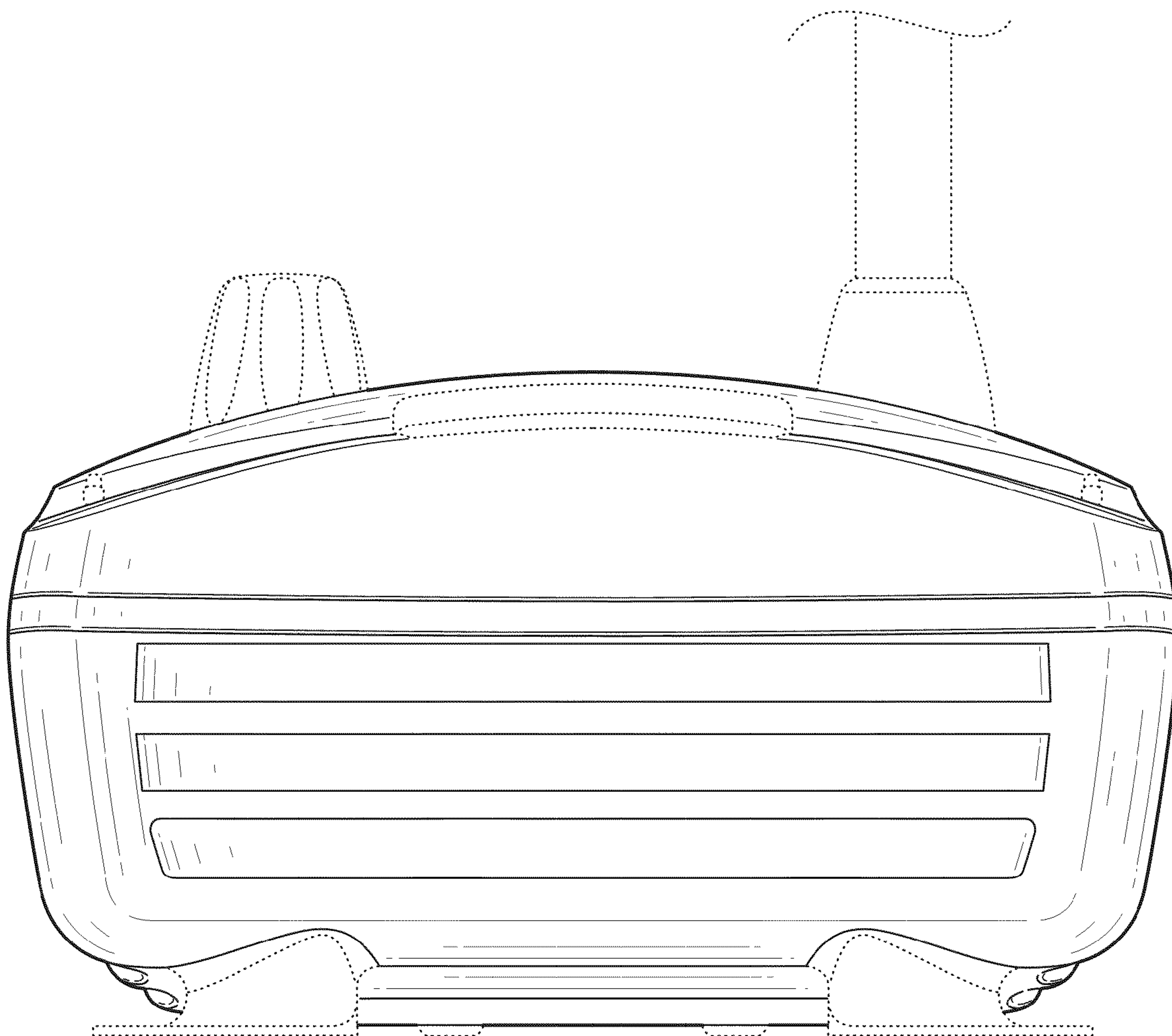
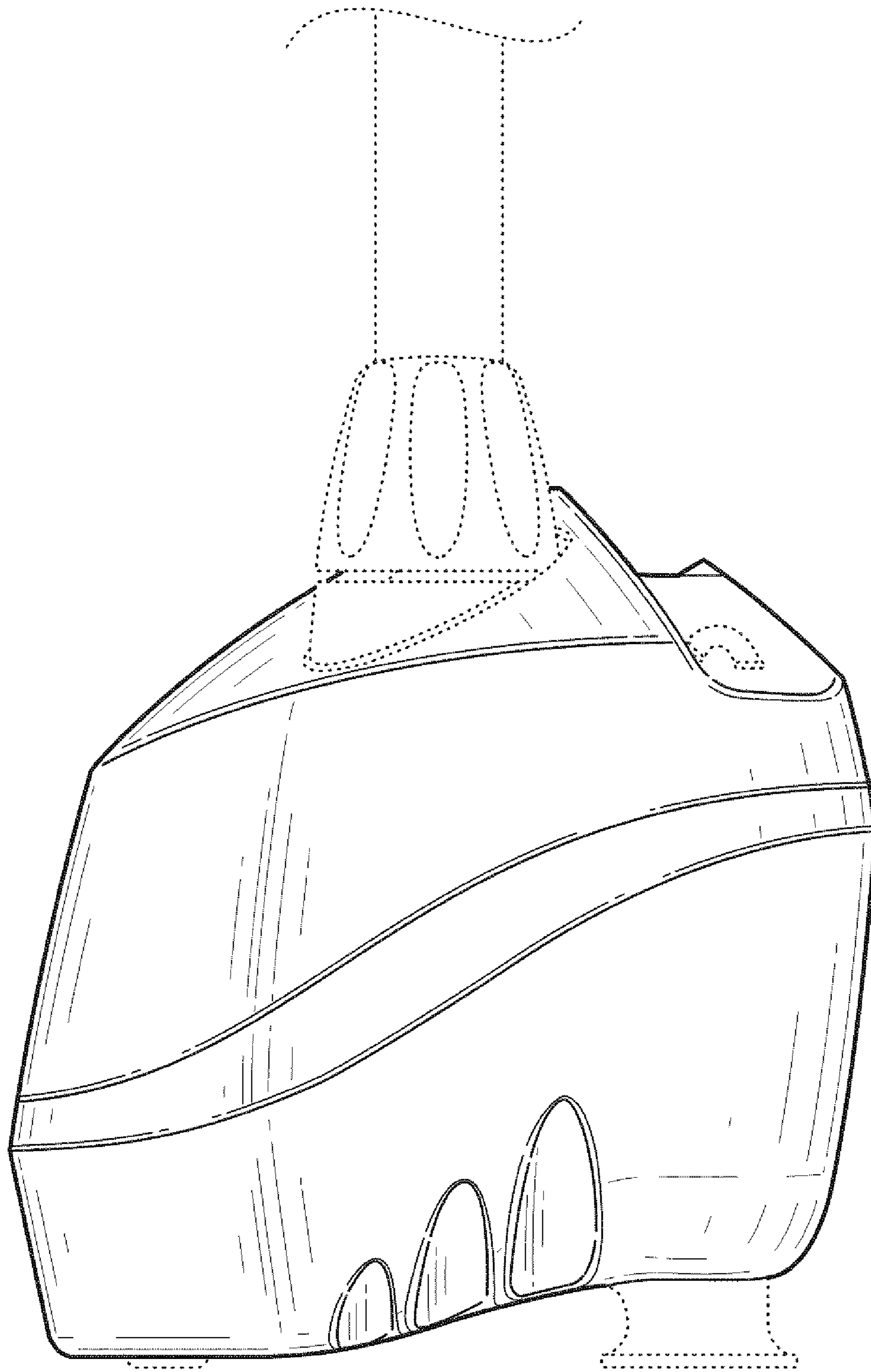
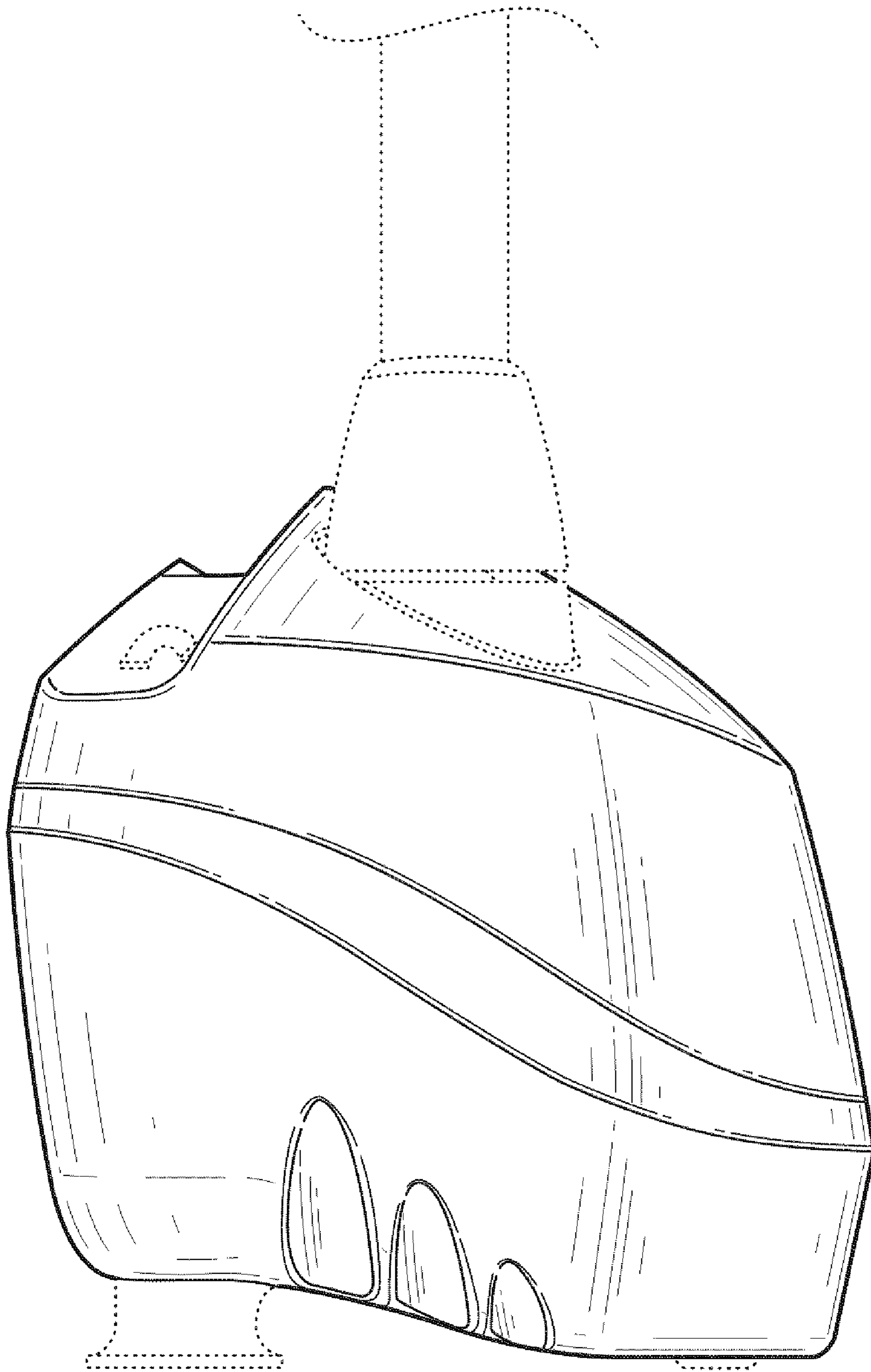


FIG. 6



**FIG. 7**





**FIG. 8**