



US00D623362S

(12) **United States Design Patent**
Man

(10) **Patent No.:** **US D623,362 S**

(45) **Date of Patent:** **** Sep. 7, 2010**

(54) **PET STAND**

(75) Inventor: **Hang Lam Man**, Harlow (GB)

(73) Assignee: **Elite Dogstands Ltd.**, Harlow (GB)

(**) Term: **14 Years**

(21) Appl. No.: **29/336,953**

(22) Filed: **May 12, 2009**

(30) **Foreign Application Priority Data**

Nov. 24, 2008 (EM) 001044804

(51) **LOC (9) Cl.** **30-03**

(52) **U.S. Cl.** **D30/133; D30/131; D30/130**

(58) **Field of Classification Search** D30/133,
D30/121, 128, 130, 132; 119/52.1, 55, 61.5–61.56;
D6/480–485; 248/188; 312/204; 108/153.1–157
See application file for complete search history.

(56) **References Cited**

U.S. PATENT DOCUMENTS

- D249,605 S * 9/1978 Skermetta D6/539
- D292,446 S * 10/1987 Gilbert D3/238
- D294,748 S * 3/1988 Dobelle D30/109
- 4,763,604 A * 8/1988 Meekins 119/28.5
- D298,671 S * 11/1988 Simerson D30/130
- D300,068 S * 2/1989 Pritikin et al. D30/129
- D361,874 S * 8/1995 Keller et al. D30/129
- D401,761 S * 12/1998 Sandmann et al. D3/238
- D424,281 S * 5/2000 Jebber et al. D2/869
- 6,209,487 B1 * 4/2001 Quinlan et al. 119/51.01
- 6,427,626 B1 * 8/2002 Quinlan et al. 119/51.01
- D476,808 S * 7/2003 Carr D3/271.2
- D481,867 S * 11/2003 Hotz D3/271.2
- D487,327 S * 3/2004 Andersen et al. D1/199
- 6,705,249 B2 * 3/2004 Quinlan et al. 119/51.01
- 6,786,177 B1 * 9/2004 Lemkin 119/51.01

- D498,955 S * 11/2004 Edwards D6/515
- D512,189 S * 11/2005 Byrne D30/160
- D512,539 S * 12/2005 Brunes et al. D30/130
- D516,806 S * 3/2006 Lawrence D3/271.1
- D521,690 S * 5/2006 Krcek et al. D30/133
- D521,782 S * 5/2006 Edwards D6/518
- D529,279 S * 10/2006 Parks D3/203.3
- D551,400 S * 9/2007 Tsengas D30/133
- D552,634 S * 10/2007 Janiszewski D15/90
- D571,060 S * 6/2008 Addeo D30/158
- D576,358 S * 9/2008 Rutherford D30/160
- D577,466 S * 9/2008 Shamoan D30/133
- D578,714 S * 10/2008 Rutherford D30/160
- D595,998 S * 7/2009 Hauser D7/672
- D597,262 S * 7/2009 Shamoan et al. D30/130
- D606,801 S * 12/2009 Kirk D7/354
- 2005/0115508 A1 * 6/2005 Little 119/61.5

* cited by examiner

Primary Examiner—Susan Moon Lee

(74) *Attorney, Agent, or Firm*—Thomas, Kayden,
Horstemeyer & Risley, LLP; Todd Deveau

(57) **CLAIM**

I claim the ornamental design for a pet stand, as shown and described.

DESCRIPTION

FIG. 1 is an overall perspective view from above of a pet stand;

FIG. 2 is a top plan view thereof;

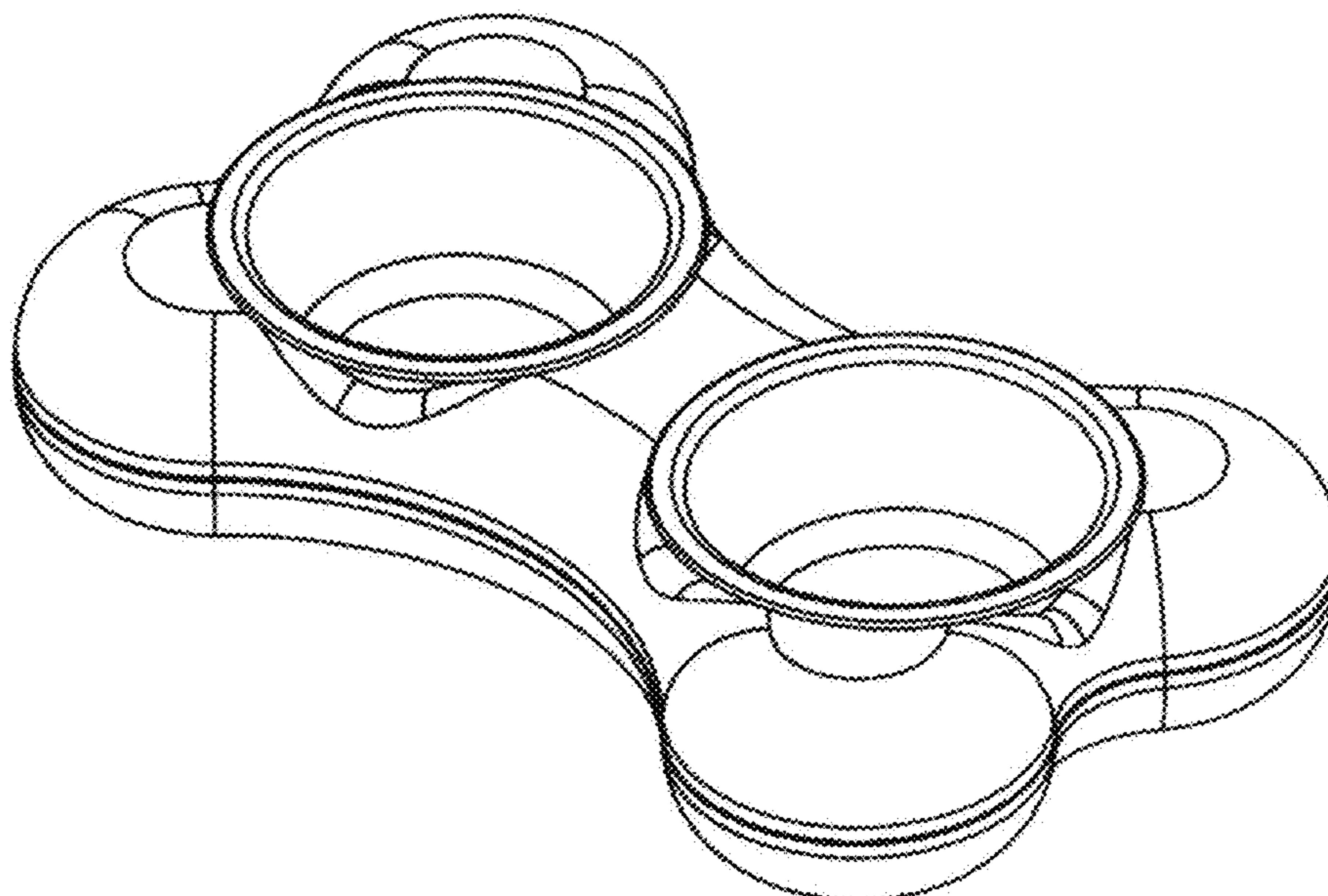
FIG. 3 is a front elevational view thereof;

FIG. 4 is a side elevational view thereof;

FIG. 5 is a bottom plan view thereof; and,

FIG. 6 is a perspective view from below of the pet stand of FIG. 1.

1 Claim, 6 Drawing Sheets



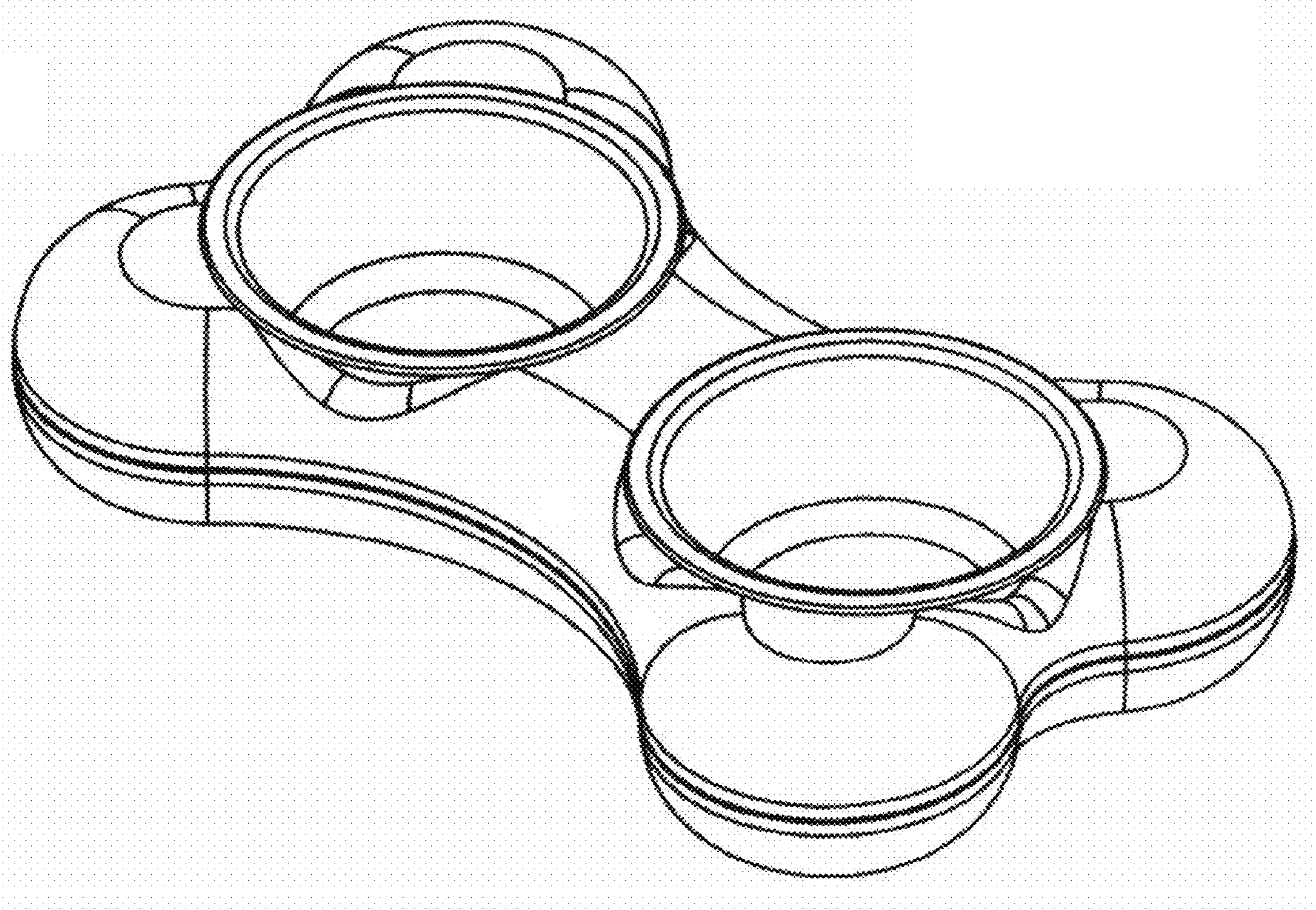


FIG. 1

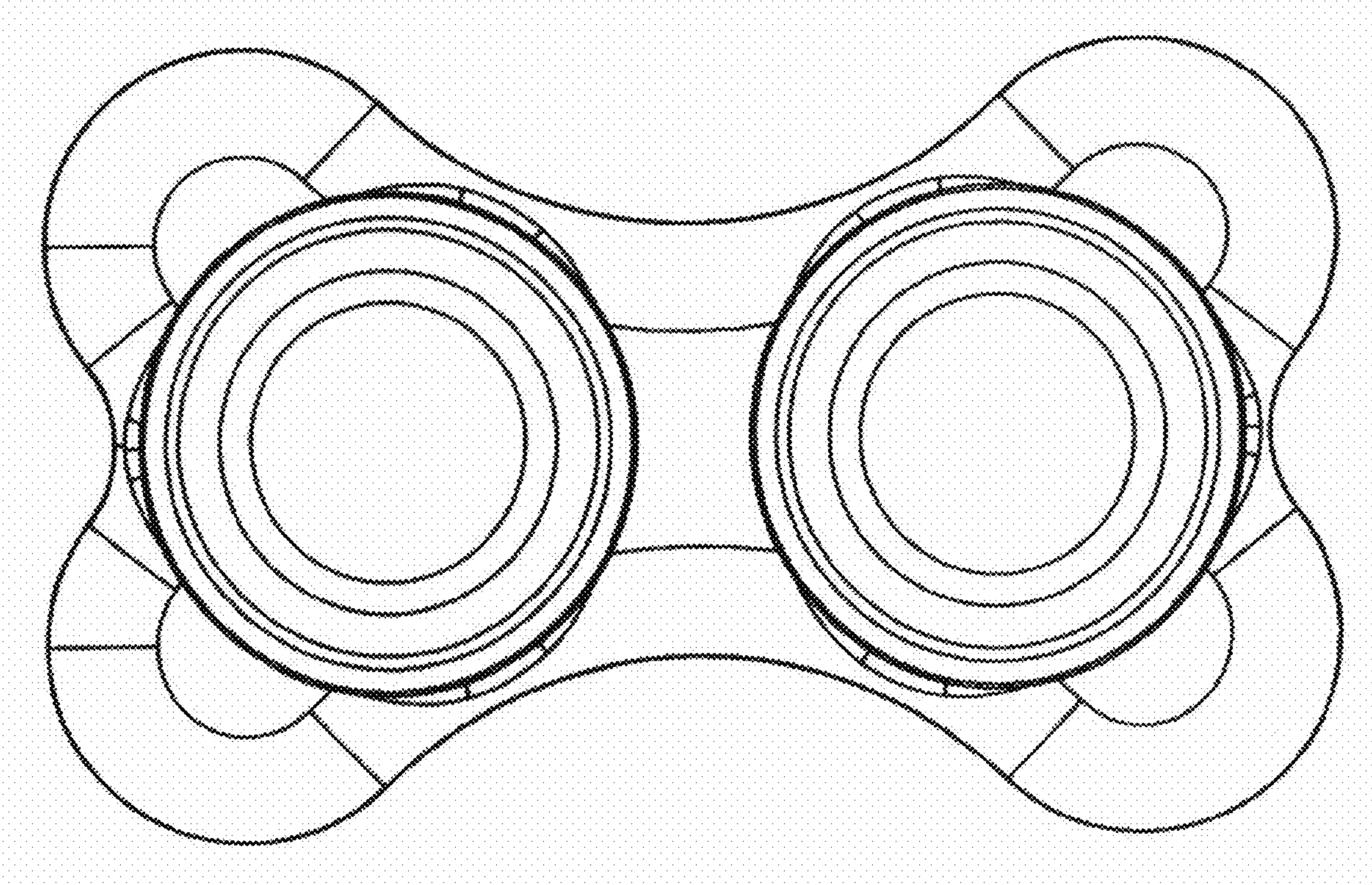


FIG. 2

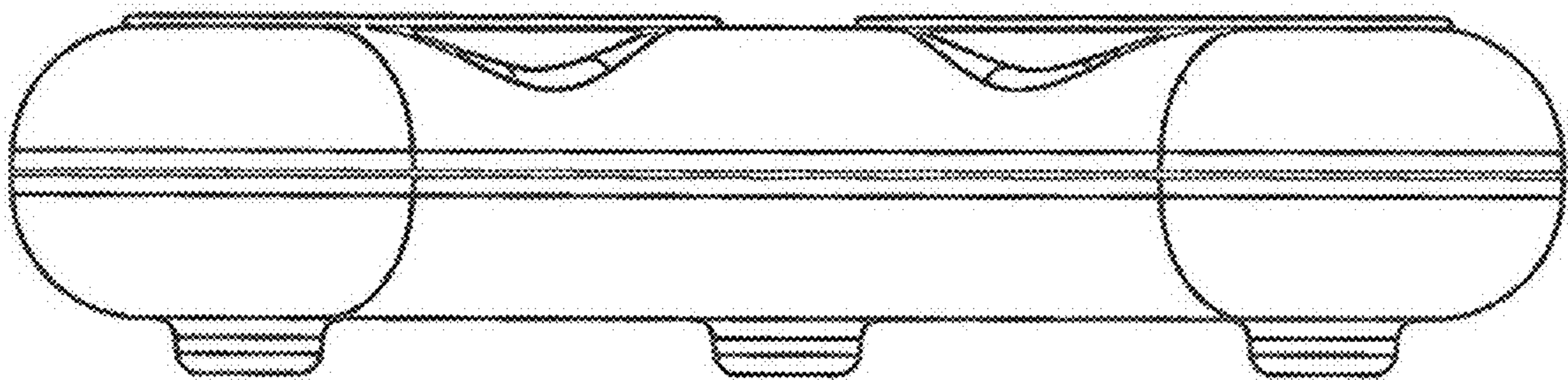


FIG. 3

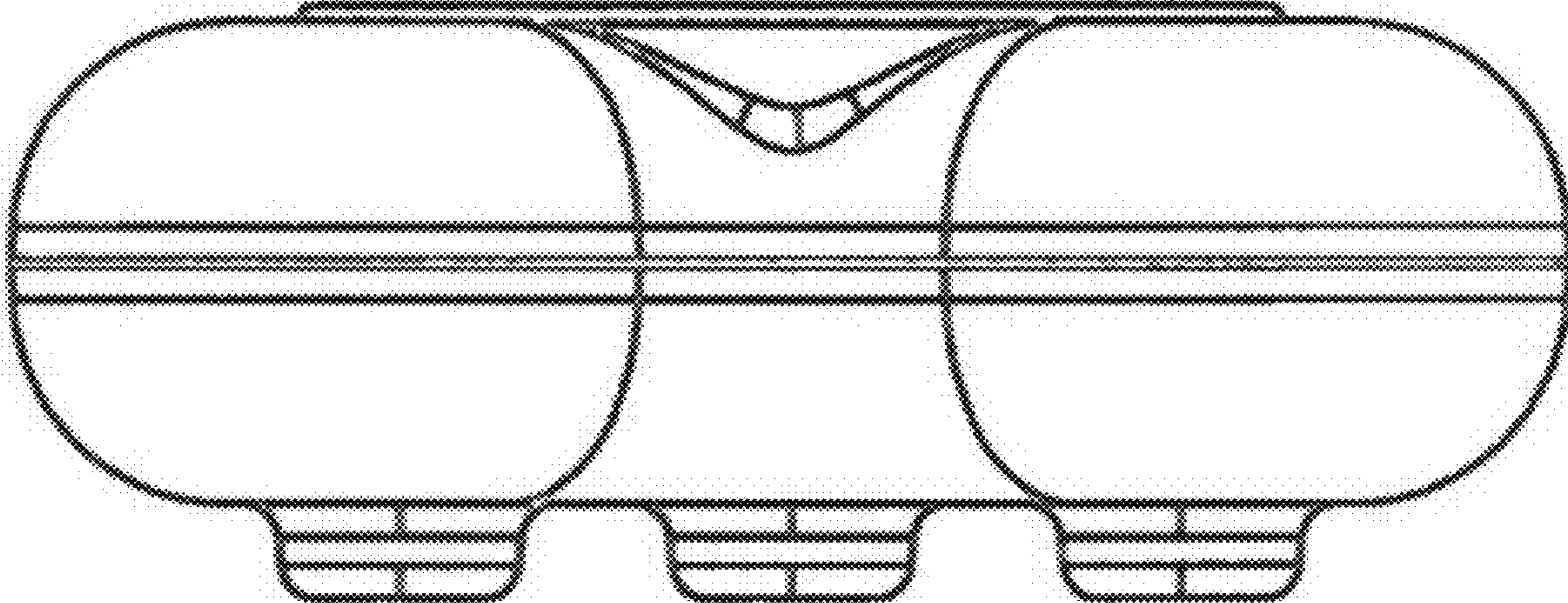


FIG. 4

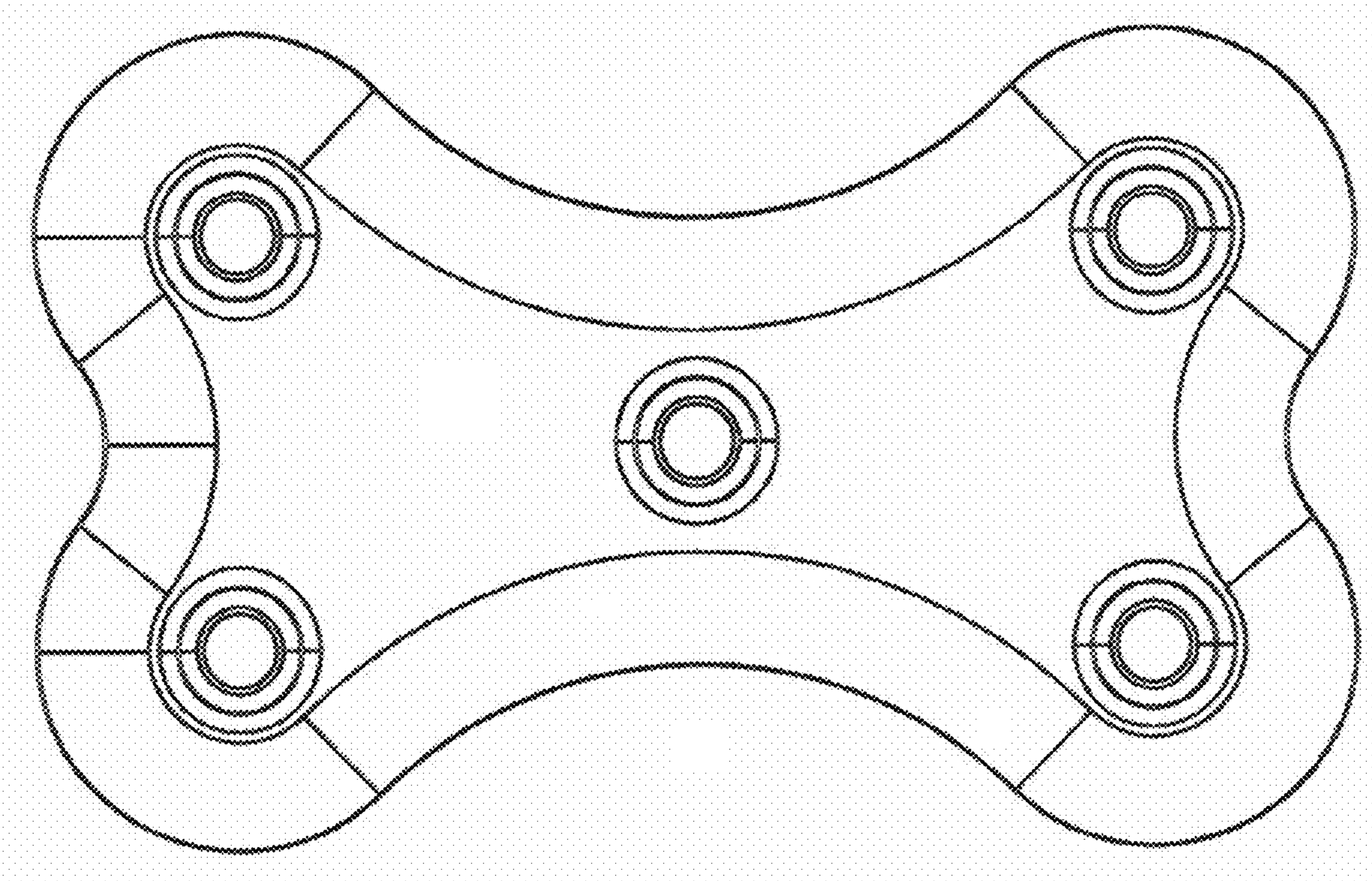


FIG. 5

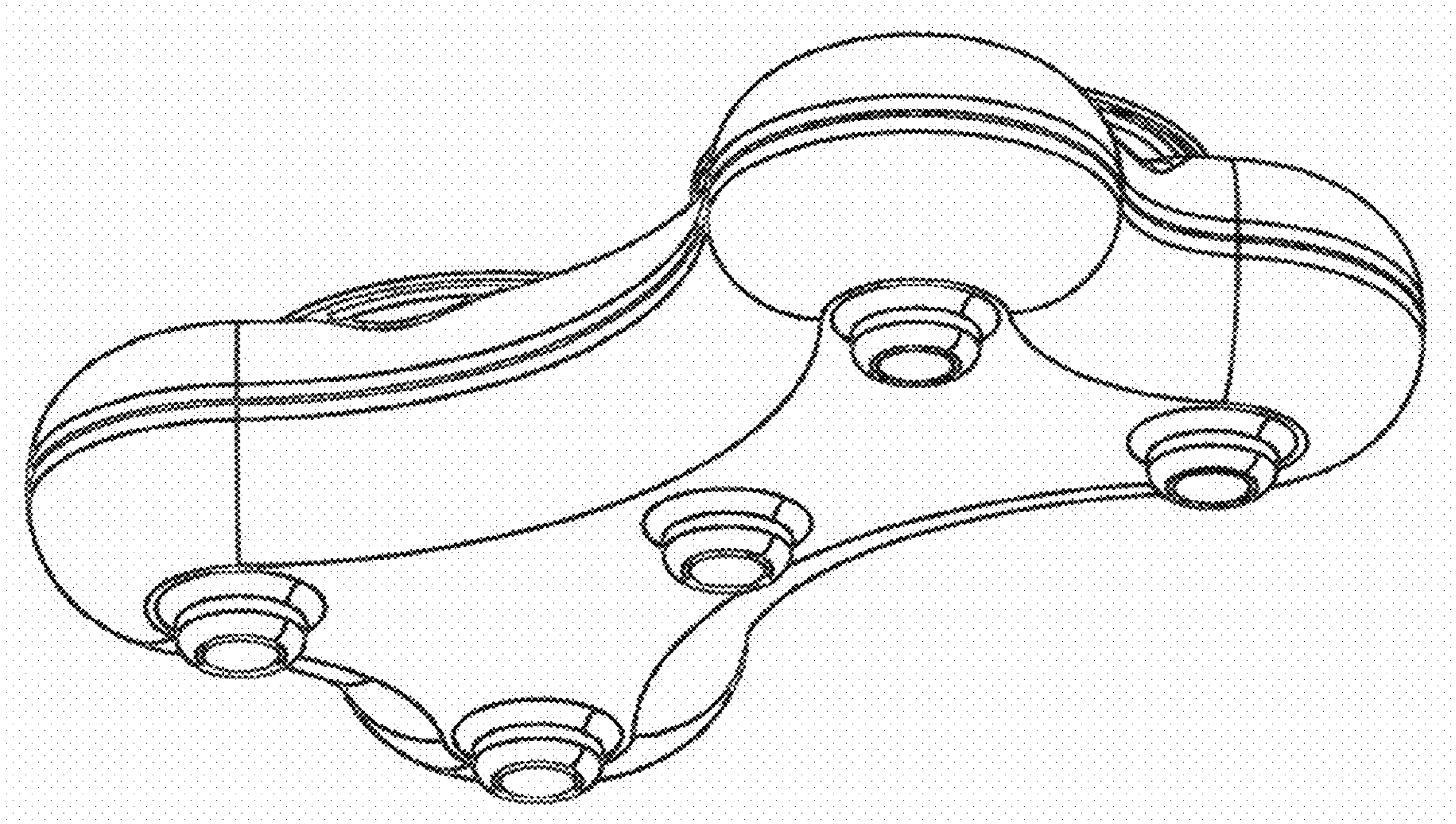


FIG. 6