



US00D623360S

(12) **United States Design Patent**  
**Man et al.**

(10) **Patent No.:** **US D623,360 S**

(45) **Date of Patent:** **\*\* Sep. 7, 2010**

(54) **FEEDING BOWL FOR ANIMALS**

(75) Inventors: **Hing Kuen Man**, Harlow (GB); **Hang Lam Man**, Harlow (GB); **Daniel John Foster**, Harlow (GB)

(73) Assignee: **Elite Cat Feeders Ltd.**, Harlow (GB)

(\*\*) Term: **14 Years**

(21) Appl. No.: **29/342,798**

(22) Filed: **Sep. 1, 2009**

(30) **Foreign Application Priority Data**

Mar. 9, 2009 (EM) ..... 001101794-0001

(51) **LOC (9) Cl.** ..... **30-03**

(52) **U.S. Cl.** ..... **D30/129**

(58) **Field of Classification Search** ..... D30/129,  
D30/130, 161, 121, 132; 119/61.5, 51.5,  
119/61.54; D7/578, 543, 566, 587, 562,  
D7/588, 568, 553.8, 565; D9/429; D21/816  
See application file for complete search history.

(56) **References Cited**

**U.S. PATENT DOCUMENTS**

- 782,895 A \* 2/1905 Breeding ..... 99/422
- D63,314 S \* 11/1923 Pease ..... D9/606
- D131,404 S \* 2/1942 Dreitzer ..... D7/556
- D135,524 S \* 4/1943 Johnstone ..... D7/550.1
- D200,414 S \* 2/1965 Karp ..... D9/606
- D203,753 S \* 2/1966 Greenberg ..... D21/816
- D220,103 S \* 3/1971 Clowe ..... D23/278
- D227,230 S \* 6/1973 Stamper ..... D9/606
- D260,281 S \* 8/1981 Rist ..... D6/601
- D325,068 S \* 3/1992 Gaury ..... D23/207
- D325,069 S \* 3/1992 Gaury ..... D23/207
- D329,961 S \* 10/1992 Sarnoff et al. .... D7/539
- D334,696 S \* 4/1993 Makris ..... D8/38
- D359,187 S \* 6/1995 Rowan ..... D6/539
- D361,875 S \* 8/1995 Keller et al. .... D30/130
- D390,907 S \* 2/1998 Aker et al. .... D21/816
- D400,315 S \* 10/1998 Keller et al. .... D30/130
- D418,209 S \* 12/1999 Mauk ..... D23/261

- D418,732 S \* 1/2000 Arend et al. .... D8/98
- D430,458 S \* 9/2000 Kellermann ..... D7/566
- D439,153 S \* 3/2001 Davis ..... D9/606
- D445,661 S \* 7/2001 Chen ..... D8/99

(Continued)

**OTHER PUBLICATIONS**

Translucent fish bowl - [www.petplanet.co.uk/product.asp?dept\\_id=321&pf\\_id=1793](http://www.petplanet.co.uk/product.asp?dept_id=321&pf_id=1793) (Jun. 2008).

*Primary Examiner*—Susan Moon Lee

(74) *Attorney, Agent, or Firm*—Thomas, Kayden, Horstemeyer & Risley, LLP; Todd Deveau

(57) **CLAIM**

The ornamental design for feeding bowl for animals, as shown and described.

**DESCRIPTION**

FIG. 1 is a top plan view from above of my new feeding bowl for animals;

FIG. 2 is a bottom plan view of my new feeding bowl for animals of FIG. 1;

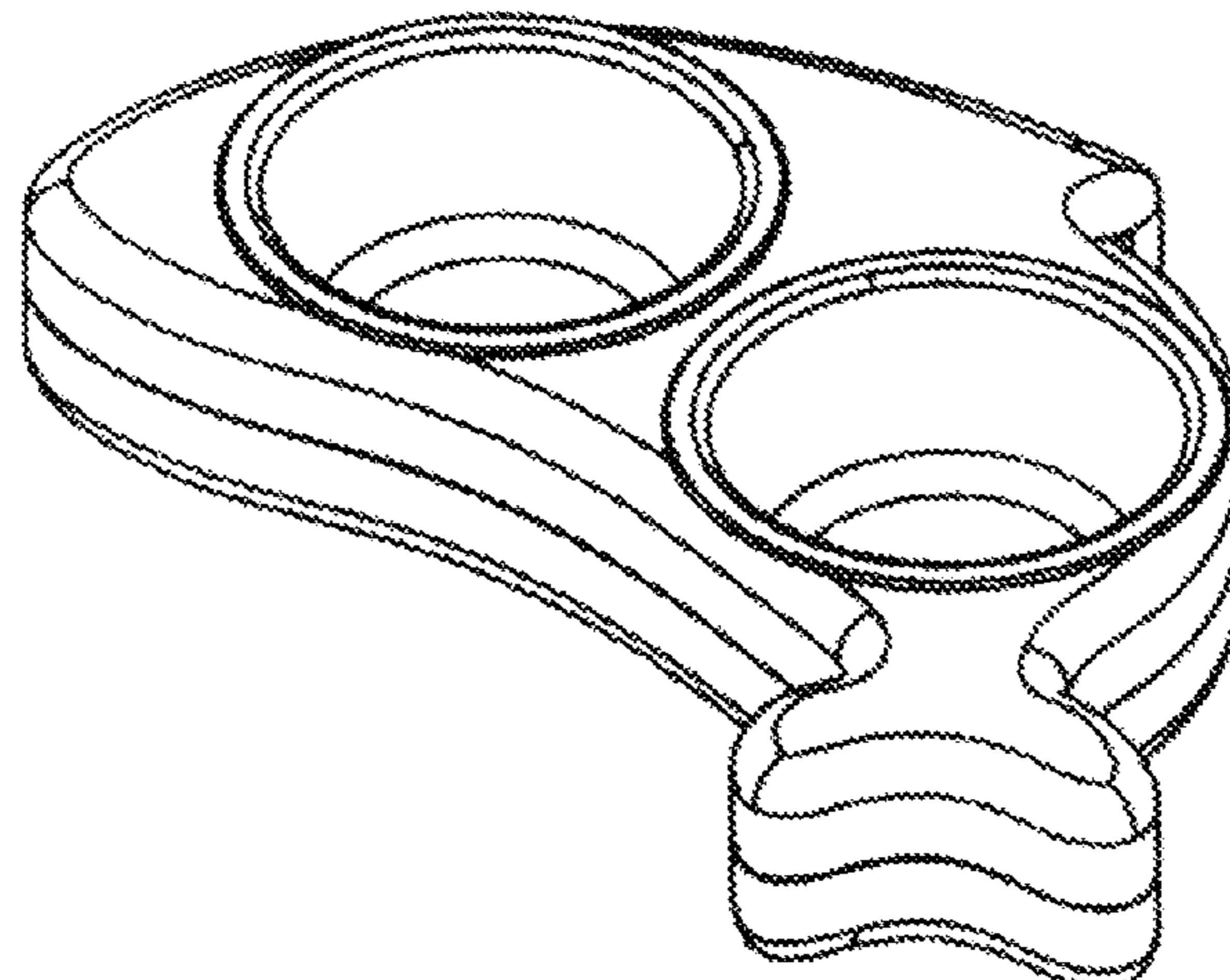
FIG. 3 is a front elevational view of my new feeding bowl for animals of FIG. 1;

FIG. 4 is a side elevational of my new feeding bowl for animals of FIG. 1;

FIG. 5 is an overall perspective view from above of my new feeding bowl for animals of FIG. 1; and,

FIG. 6 is a perspective view from below of my feeding bowl for animals of FIG. 1.

**1 Claim, 6 Drawing Sheets**



# US D623,360 S

Page 2

---

## U.S. PATENT DOCUMENTS

D455,145 S *	4/2002	Williams	.....	D14/232	D517,881 S *	3/2006	Kelleghan	.....	D8/38
D471,103 S *	3/2003	Watson	.....	D9/433	D520,749 S *	5/2006	Boutin	.....	D3/304
D506,556 S *	6/2005	Giusti	.....	D25/112	D520,825 S *	5/2006	Kelleghan	.....	D8/38
					D547,595 S *	7/2007	Bowen et al.	.....	D7/354

\* cited by examiner

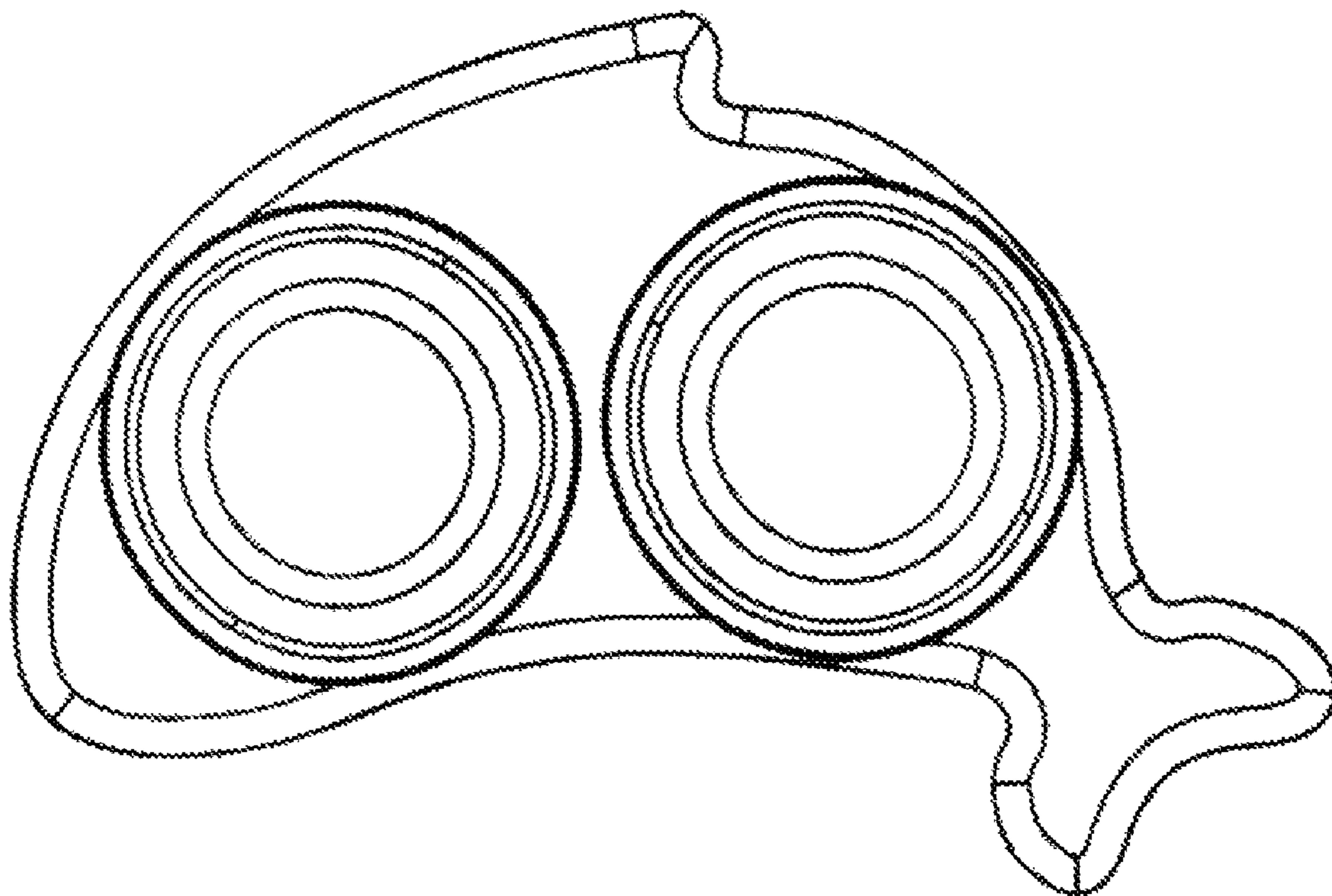


FIG. 1

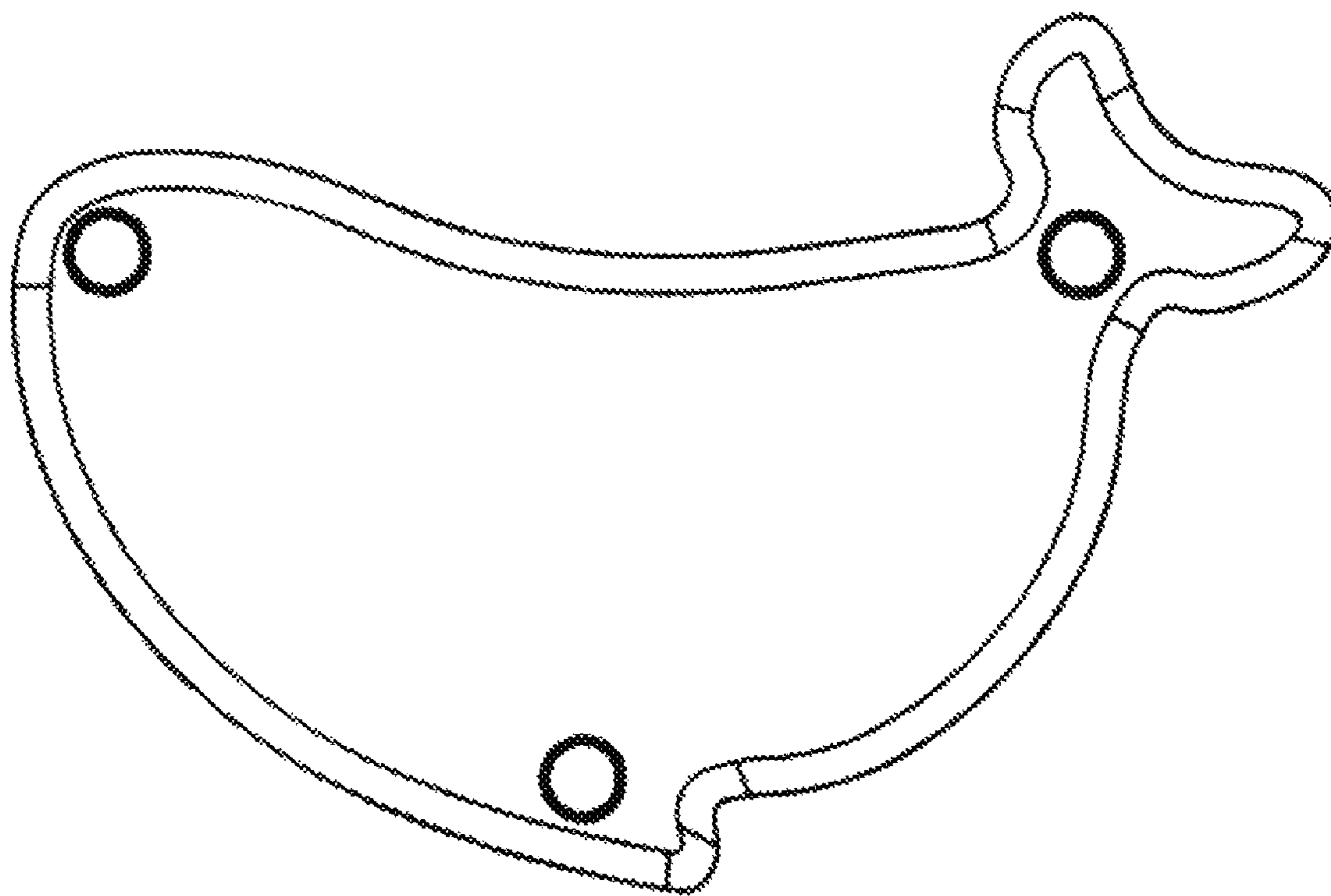


FIG. 2

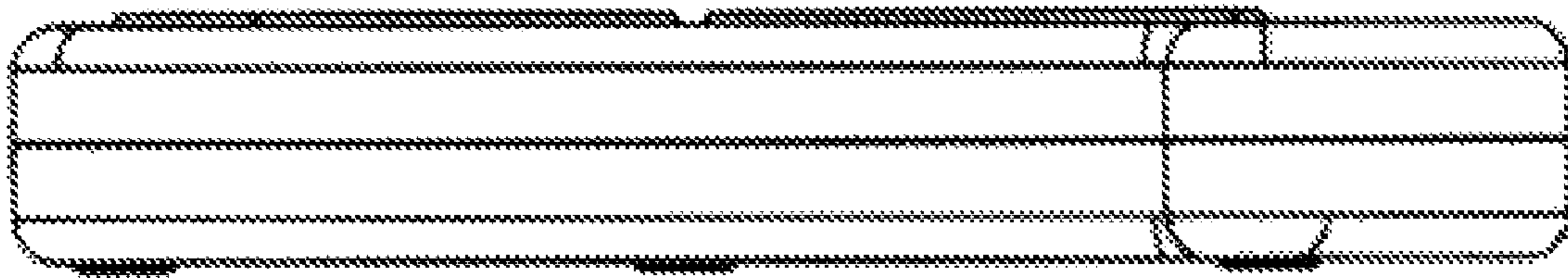


FIG. 3

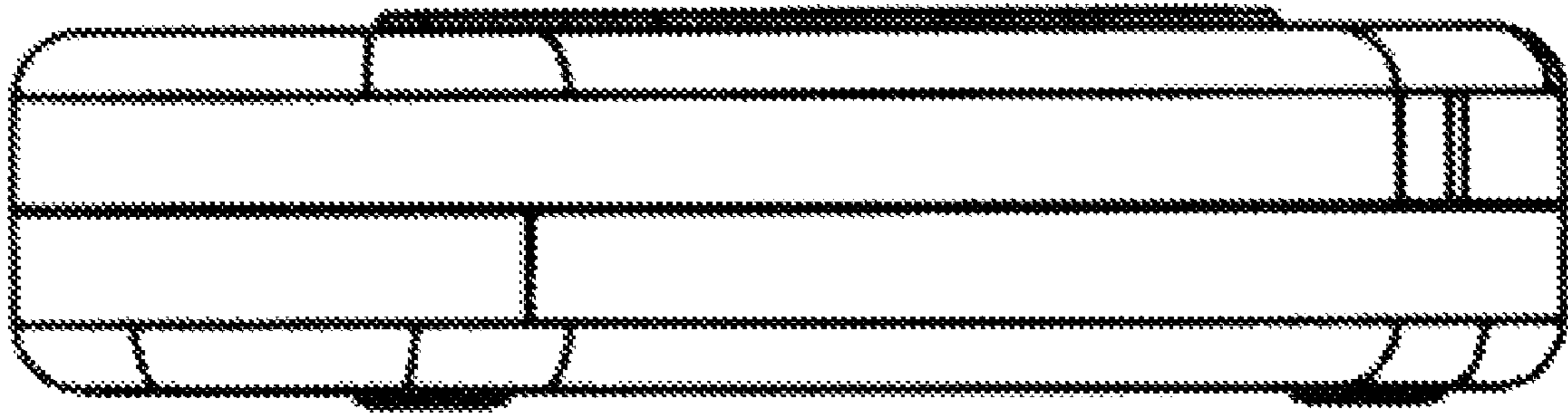


FIG. 4

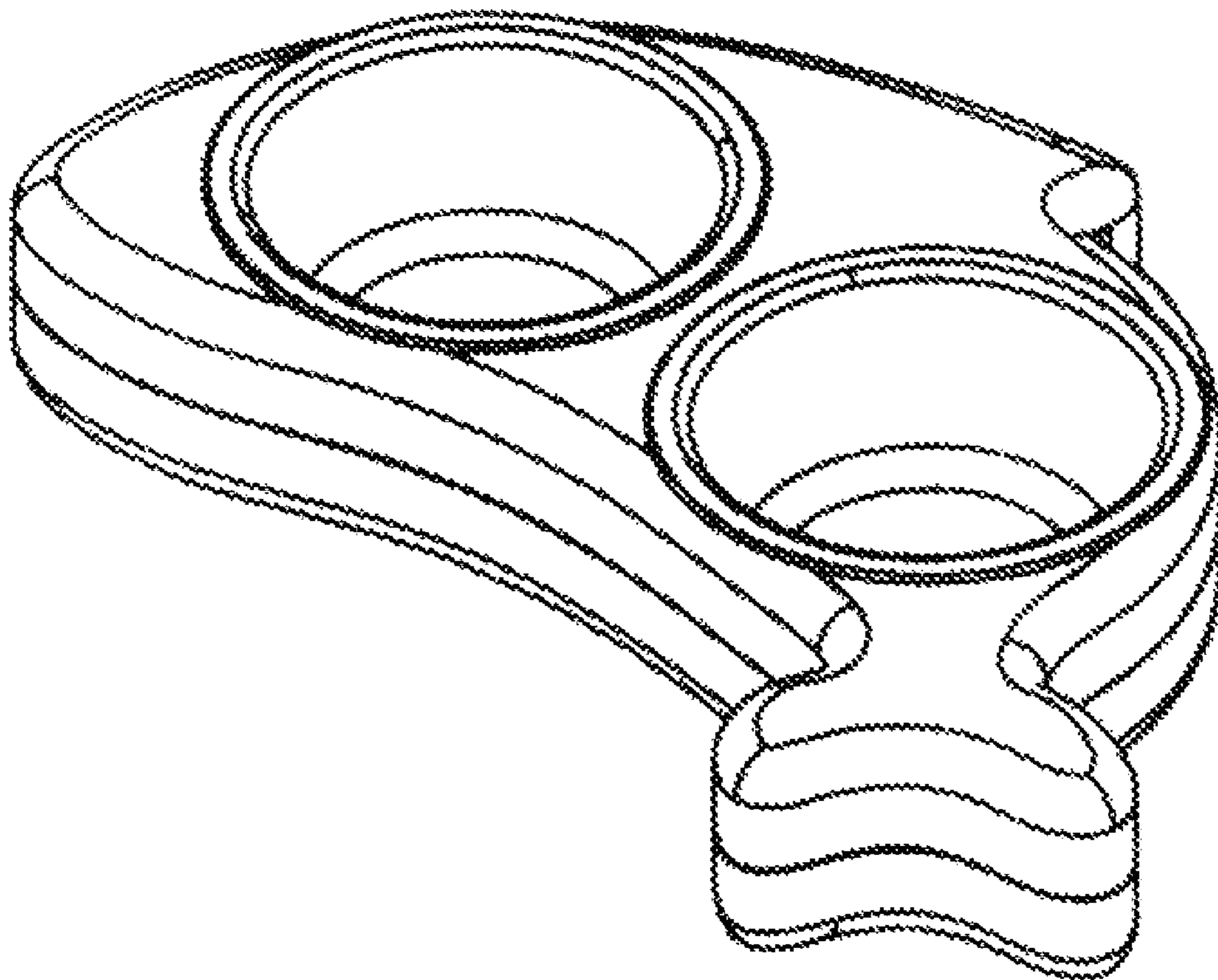


FIG. 5

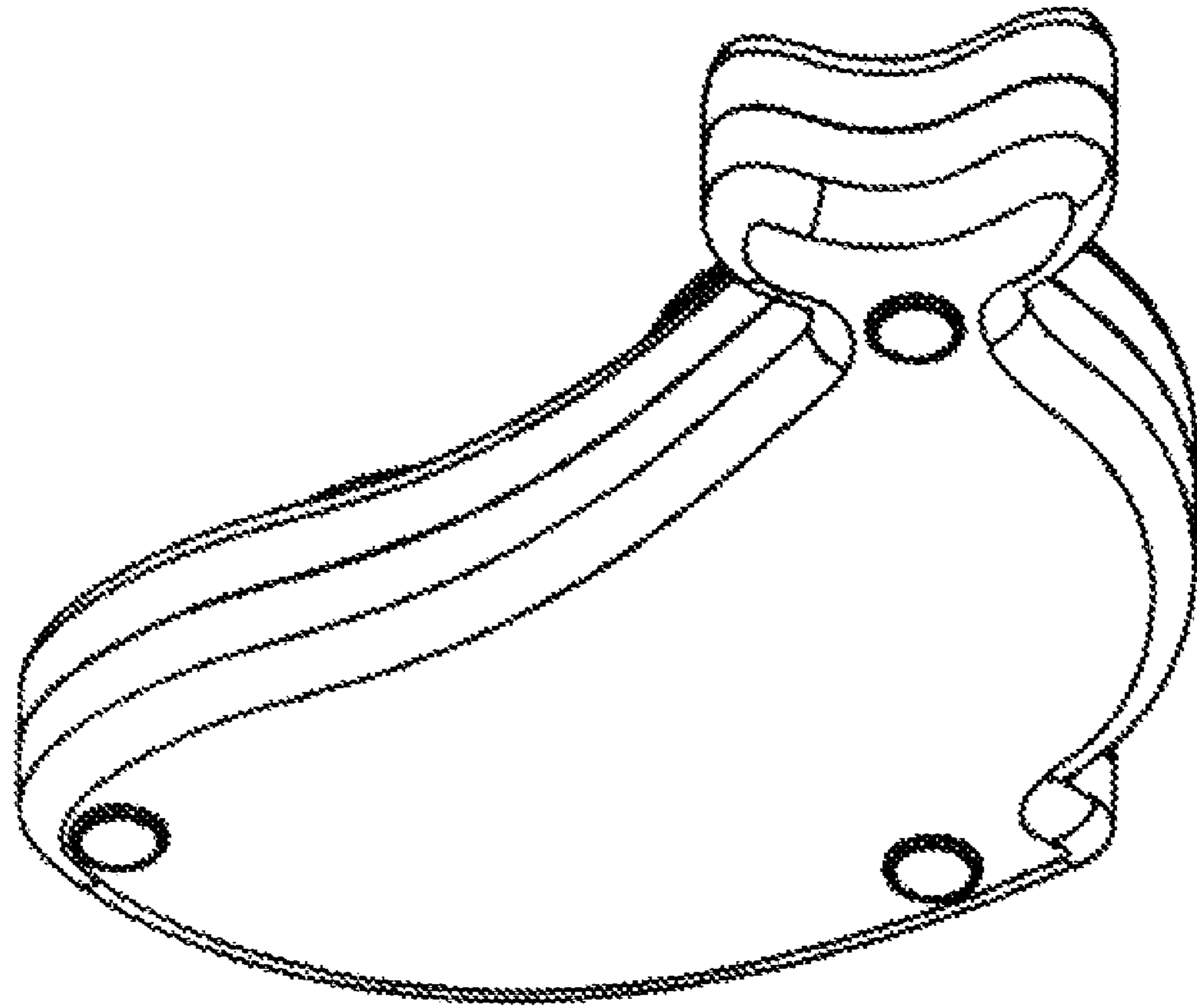


FIG. 6