



US00D623357S

(12) **United States Design Patent**  
**Manzo et al.**

(10) **Patent No.:** **US D623,357 S**  
(45) **Date of Patent:** **\*\* Sep. 7, 2010**

(54) **MOUTH GUARD**  
(75) Inventors: **Joseph S. Manzo**, Lansdale, PA (US);  
**Lin C. Ju**, Taoyuan (TW)  
(73) Assignee: **Brain-Pad, Inc.**, Conshohocken, PA  
(US)  
(\*\*) Term: **14 Years**  
(21) Appl. No.: **29/340,376**  
(22) Filed: **Jul. 17, 2009**  
(51) **LOC (9) Cl.** ..... **29-02**  
(52) **U.S. Cl.** ..... **D29/108**  
(58) **Field of Classification Search** ..... D29/108,  
D29/122, 176, 180-181; 2/445, 9, 424;  
128/859, 848; 602/902; 433/6  
See application file for complete search history.

5,165,424 A 11/1992 Silverman  
5,277,202 A 1/1994 Hays  
5,357,876 A 10/1994 Kniefel  
5,407,210 A 4/1995 Canning  
5,462,066 A 10/1995 Snyder  
5,531,449 A 7/1996 Denton  
5,580,293 A 12/1996 Sestak  
5,636,379 A 6/1997 Williams  
D382,965 S 8/1997 Wagner  
5,833,234 A 11/1998 Vavala  
D406,405 S 3/1999 Yoshida  
D408,919 S 4/1999 Cooley  
5,967,519 A 10/1999 Cumberland et al.  
D434,501 S 11/2000 Redhage  
D452,011 S 12/2001 Redhage  
6,491,036 B2 \* 12/2002 Cook ..... 128/859  
6,494,210 B1 12/2002 Mams  
D473,976 S 4/2003 Wilkens  
6,584,978 B1 7/2003 Brett et al.

(Continued)

(56) **References Cited**  
U.S. PATENT DOCUMENTS

1,125,194 A 1/1915 Sigmund  
1,674,336 A 6/1928 King  
2,521,039 A 9/1950 Carpenter  
2,590,118 A 3/1952 Oddo, Jr.  
2,966,908 A 1/1961 Cathcart et al.  
3,247,844 A 4/1966 Berghash  
3,312,218 A 4/1967 Jacobs  
3,346,317 A 10/1967 Peggs  
D212,848 S 12/1968 Westlund  
3,457,916 A 7/1969 Wolicki  
D215,685 S 10/1969 Helmer  
3,692,025 A 9/1972 Greenberg  
D228,048 S 8/1973 Miller  
4,044,762 A 8/1977 Jacobs  
4,133,531 A 1/1979 Arteaga  
4,370,129 A 1/1983 Huge  
4,376,628 A 3/1983 Aardse  
4,765,324 A 8/1988 Lake, Jr.  
4,791,941 A 12/1988 Schaefer  
4,944,947 A 7/1990 Newman  
4,977,905 A 12/1990 Kittelsen et al.  
5,092,346 A 3/1992 Hays  
5,117,816 A 6/1992 Shapiro

*Primary Examiner*—Elizabeth A Albert  
*Assistant Examiner*—Kelley A Donnelly  
(74) *Attorney, Agent, or Firm*—John F. Letchford; Archer &  
Greiner, P.C.

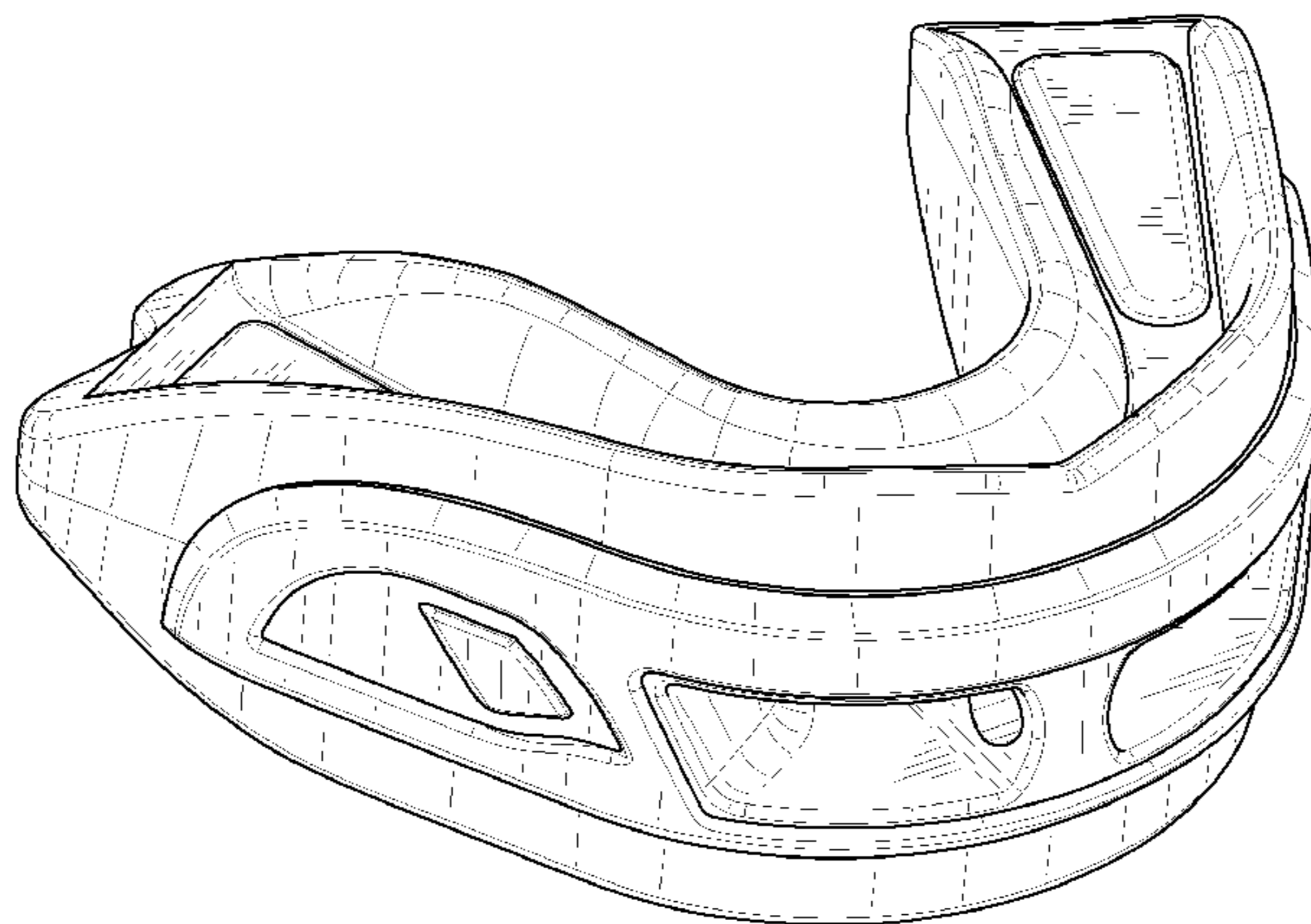
(57) **CLAIM**

The ornamental design for a mouth guard, as shown and described.

**DESCRIPTION**

FIG. 1 is a front perspective view of a mouth guard showing my new design;  
FIG. 2 is a rear perspective view thereof;  
FIG. 3 is a front elevational view thereof;  
FIG. 4 is a rear elevational view thereof;  
FIG. 5 is a top plan view thereof;  
FIG. 6 is a bottom plan view thereof;  
FIG. 7 is a right elevational view thereof; and,  
FIG. 8 is a left elevational view thereof.

**1 Claim, 5 Drawing Sheets**



# US D623,357 S

Page 2

---

## U.S. PATENT DOCUMENTS

6,585,610 B2	7/2003	Sompolinsky	D529,615 S *	10/2006	Atz .....	D24/181
D493,578 S	7/2004	Manzo et al.	D530,863 S	10/2006	Manzo et al.	
D500,895 S	1/2005	Manzo et al.	D532,559 S	11/2006	Manzo et al.	
D504,744 S	5/2005	Hidalgo et al.	D537,986 S	3/2007	Manzo et al.	
D509,028 S	8/2005	Farrell	D537,987 S	3/2007	Manzo et al.	
D523,994 S *	6/2006	Manzo .....	D548,403 S	8/2007	Manzo et al.	
		D29/108	D554,259 S *	10/2007	Diacopoulos et al. ....	D24/181
D525,749 S	7/2006	Manzo et al.	7,404,403 B2 *	7/2008	Farrell .....	128/859
D526,093 S	8/2006	Manzo et al.	D593,714 S *	6/2009	Hirshberg .....	D29/108
D526,095 S	8/2006	Manzo et al.	D611,658 S *	3/2010	Manzo .....	D29/108
D527,848 S	9/2006	Manzo et al.				

\* cited by examiner

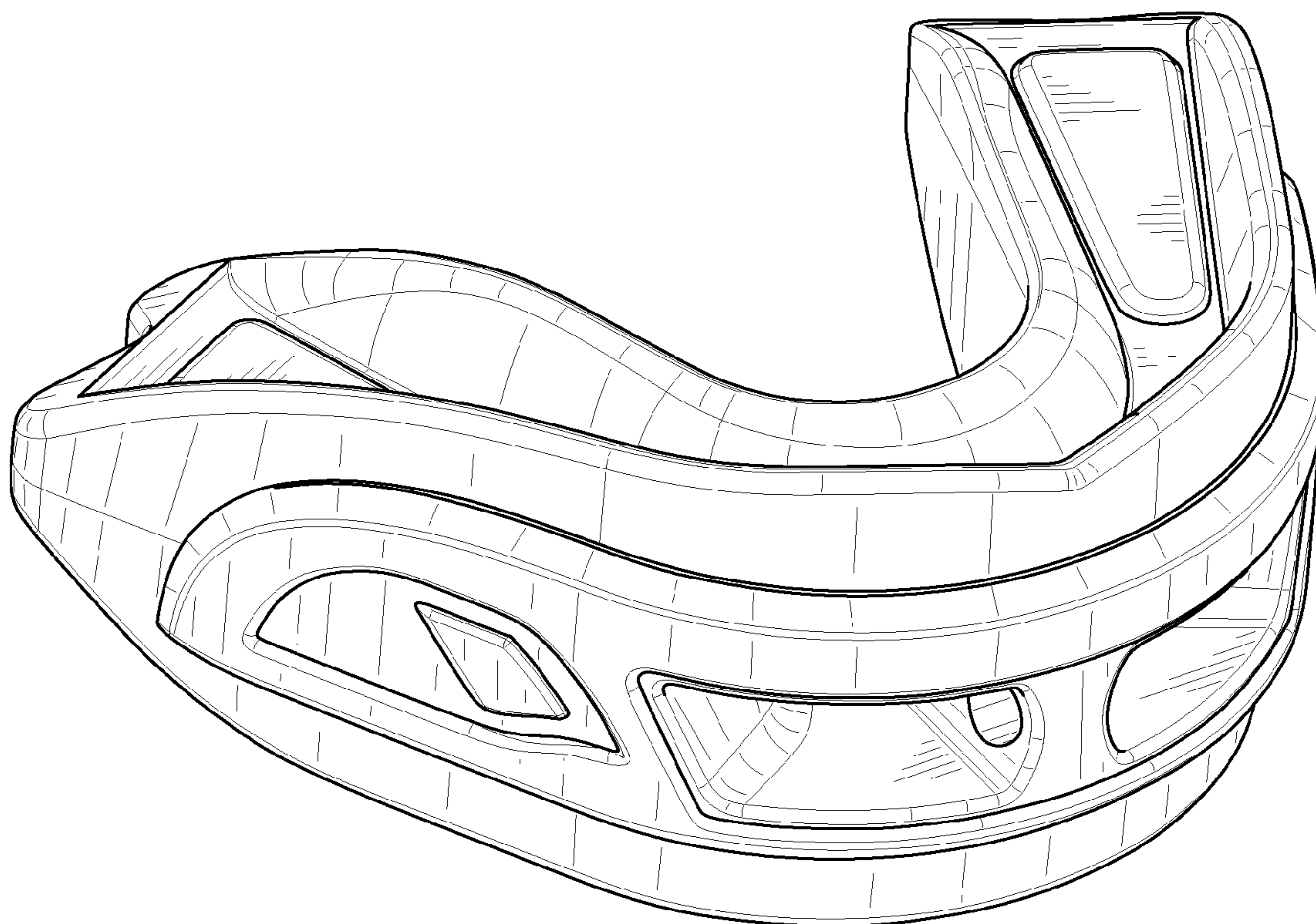


FIG. 1

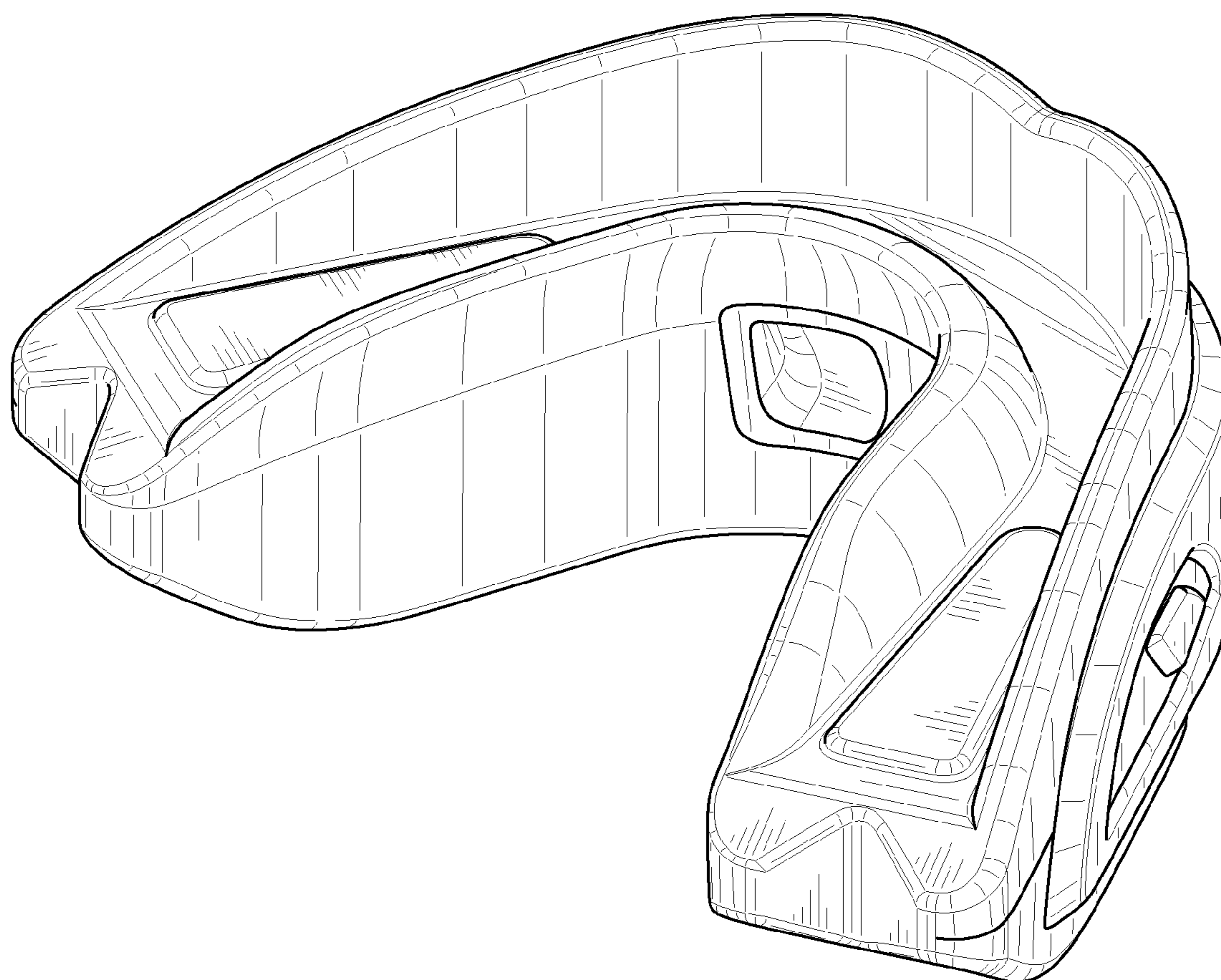


FIG. 2

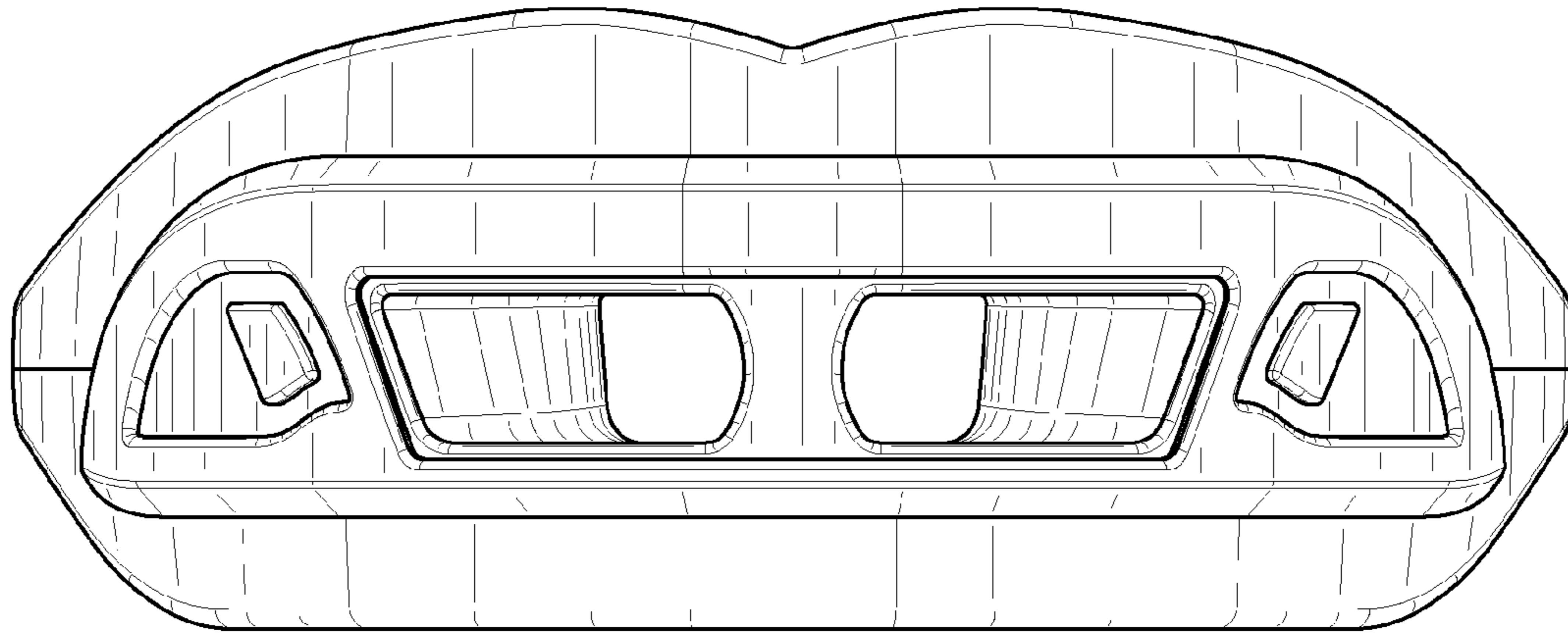


FIG. 3

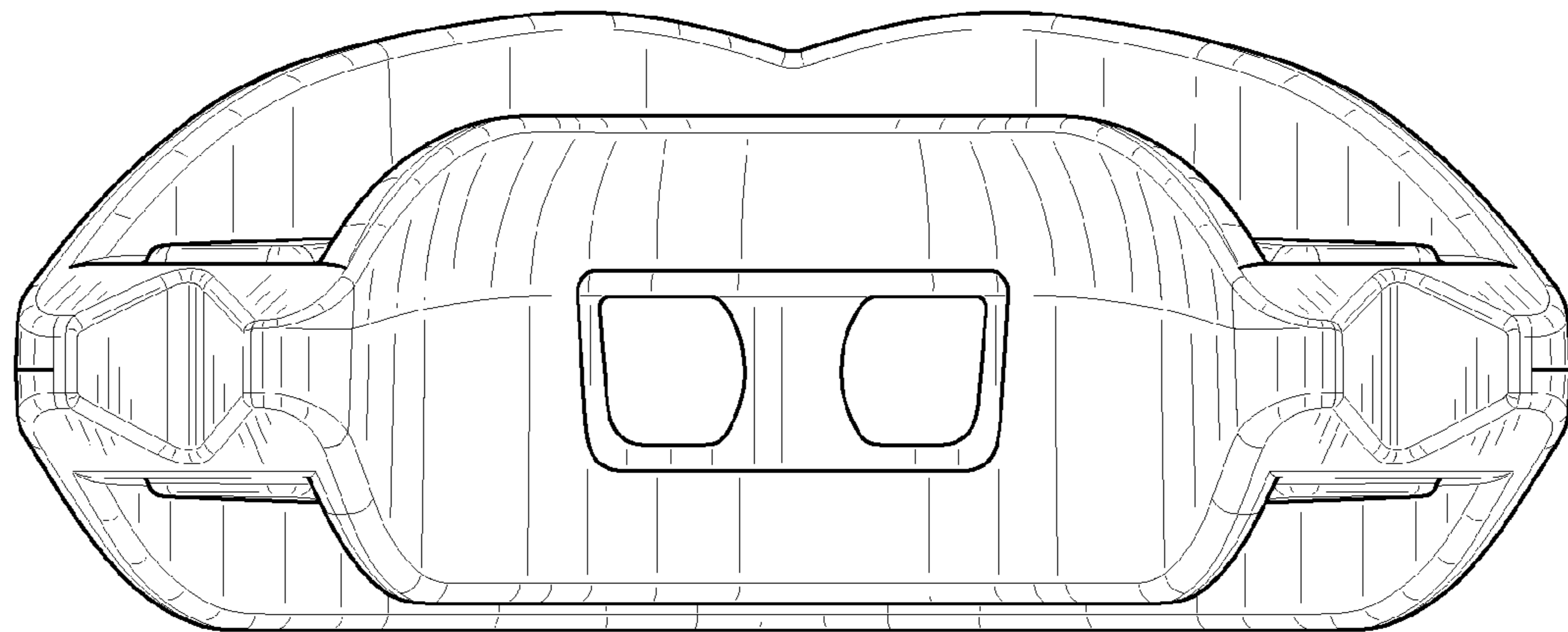


FIG. 4

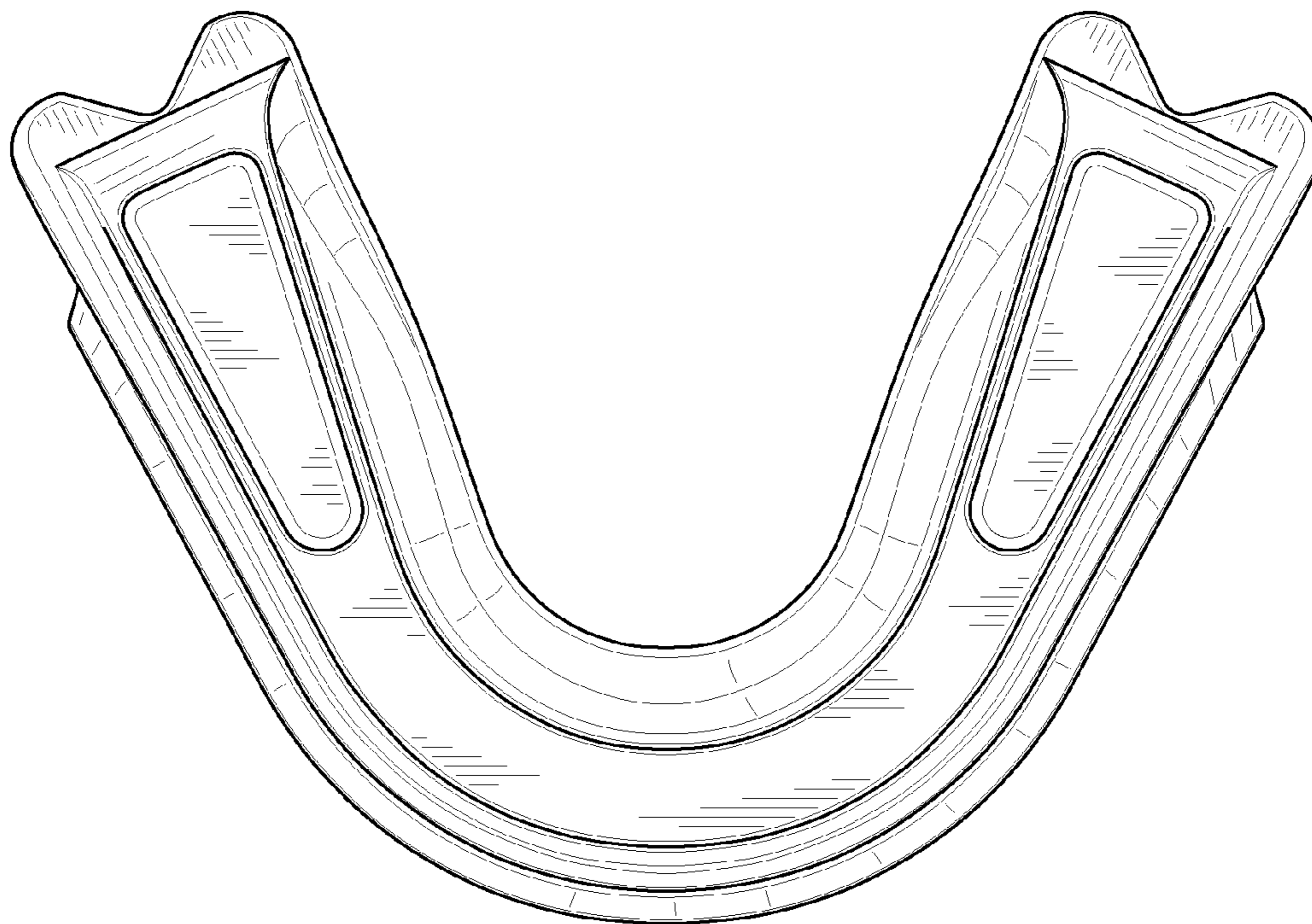


FIG. 5

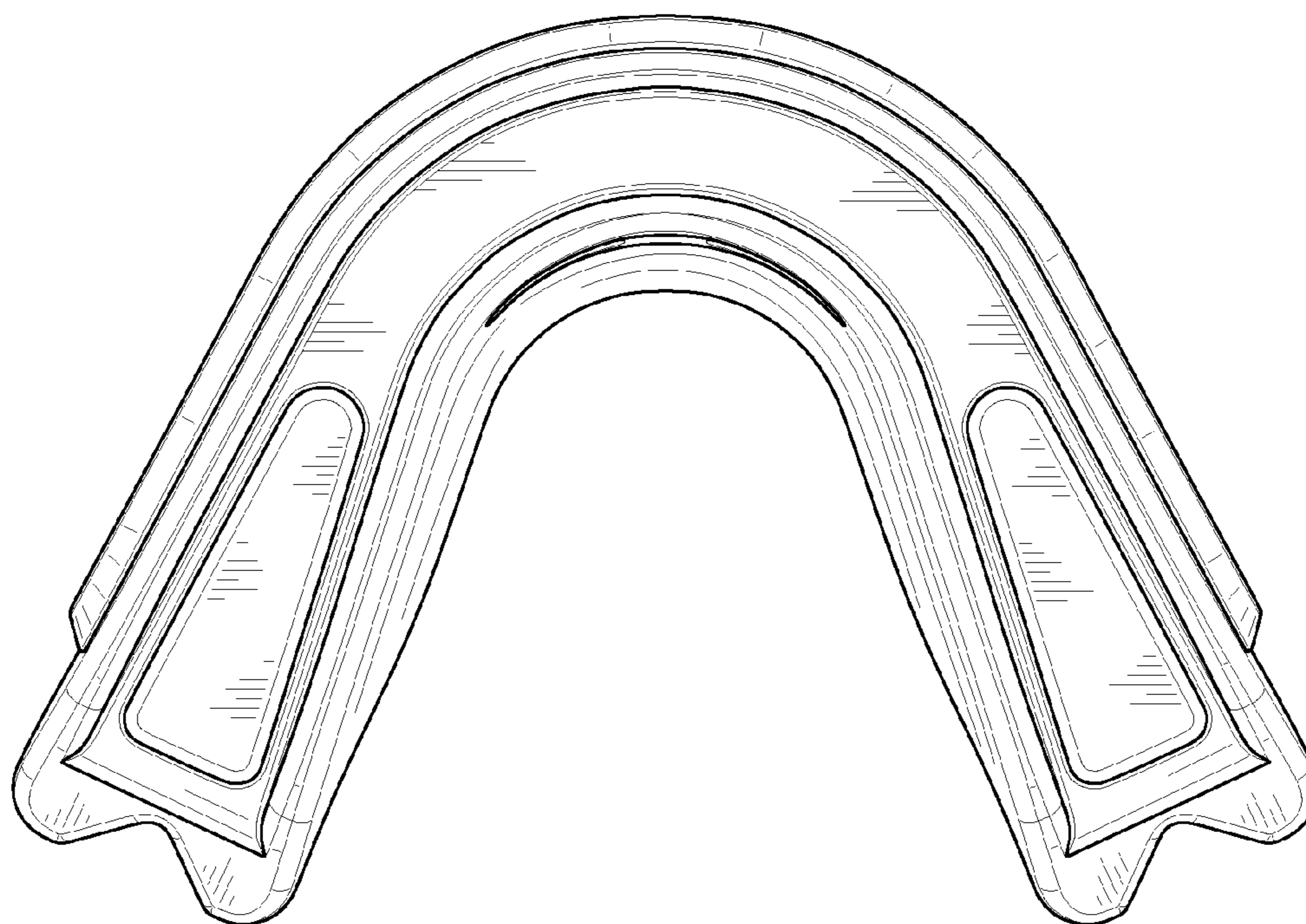


FIG. 6

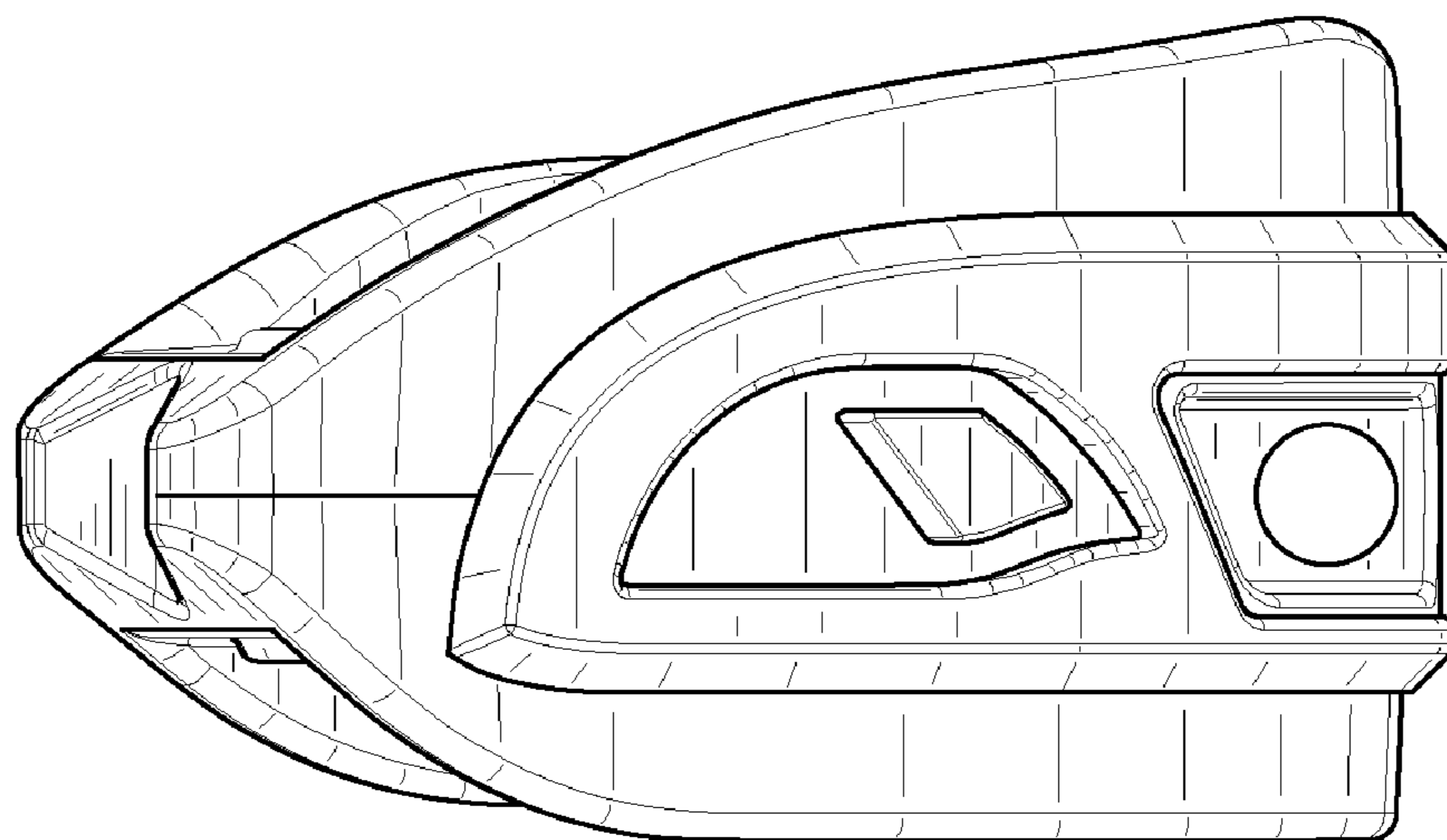


FIG. 7

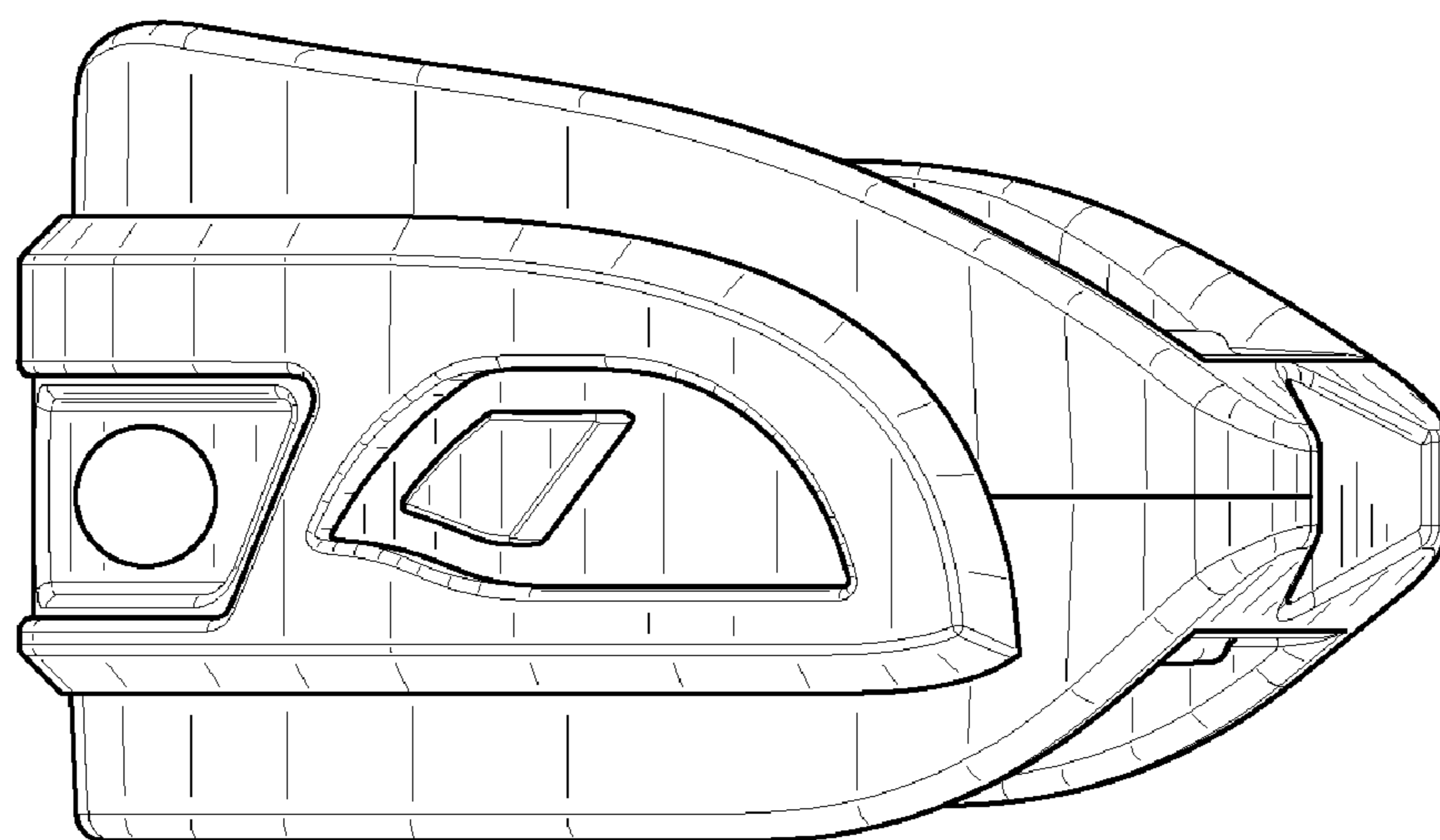


FIG. 8