



US00D623354S

(12) **United States Design Patent**
Schwer et al.

(10) **Patent No.:** **US D623,354 S**

(45) **Date of Patent:** **** Sep. 7, 2010**

(54) **HAIR CLIPPER**

2010/0031514 A1* 2/2010 Kohn 30/216

(75) Inventors: **Heinrich Schwer**, Schonach (DE);
Martin Niebergall,
Villingen-Schwenningen (DE)

* cited by examiner

Primary Examiner—Jennifer Rivard
(74) *Attorney, Agent, or Firm*—Muirhead and Saturnelli,
LLC

(73) Assignee: **WAHL GmbH**, Unterkirnach (DE)

(**) Term: **14 Years**

(57) **CLAIM**

(21) Appl. No.: **29/316,043**

The ornamental design for a hair clipper, as shown and described.

(22) Filed: **Aug. 18, 2009**

DESCRIPTION

(30) **Foreign Application Priority Data**

Feb. 23, 2009 (EM) 001092332

FIG. 1 is a perspective view showing an embodiment of the new design;

(51) **LOC (9) Cl.** **28-03**

FIG. 2 is a front elevational view thereof;

(52) **U.S. Cl.** **D28/53**

FIG. 3 is a left side elevational view thereof;

(58) **Field of Classification Search** 30/29.5,
30/30, 32, 34.05, 34.1, 34.2, 43-43.92, 44-45,
30/526-537, 196, 201, 223, 233, 233.5; D28/44,
D28/44.1, 49-54

FIG. 4 is a rear elevational view thereof;

FIG. 5 is a right side elevational view thereof;

See application file for complete search history.

FIG. 6 is a top plan view thereof;

FIG. 7 is a bottom plan view thereof;

(56) **References Cited**

U.S. PATENT DOCUMENTS

- 2,789,347 A * 4/1957 Wahl et al. 30/208
- D209,128 S * 10/1967 Fox D28/53
- D437,088 S * 1/2001 Wursthorn D28/53
- D445,541 S * 7/2001 Wursthorn D28/53
- D455,230 S * 4/2002 Lau D28/53
- D466,650 S * 12/2002 Muller et al. D28/53
- 6,742,262 B2 * 6/2004 Rizzuto et al. 30/201
- 2003/0051347 A1 * 3/2003 Melton et al. 30/123
- 2009/0265942 A1 * 10/2009 Beltran 30/201

FIG. 8 is a perspective view showing another embodiment of the new design;

FIG. 9 is a front elevational view thereof;

FIG. 10 is a left side elevational view thereof;

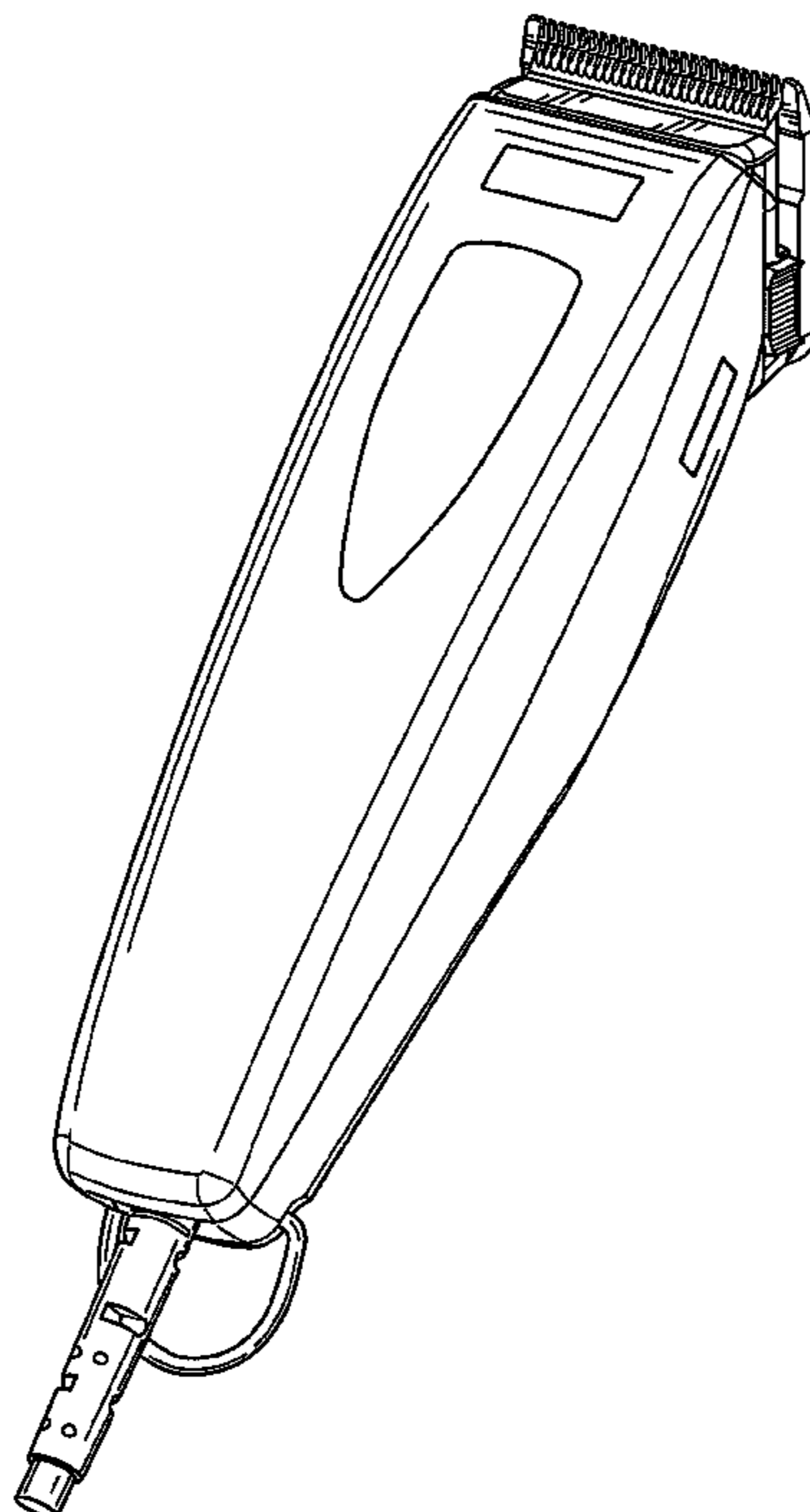
FIG. 11 is a rear elevational view thereof;

FIG. 12 is a right side elevational view thereof;

FIG. 13 is a top plan view thereof; and,

FIG. 14 is a bottom plan view thereof.

1 Claim, 14 Drawing Sheets



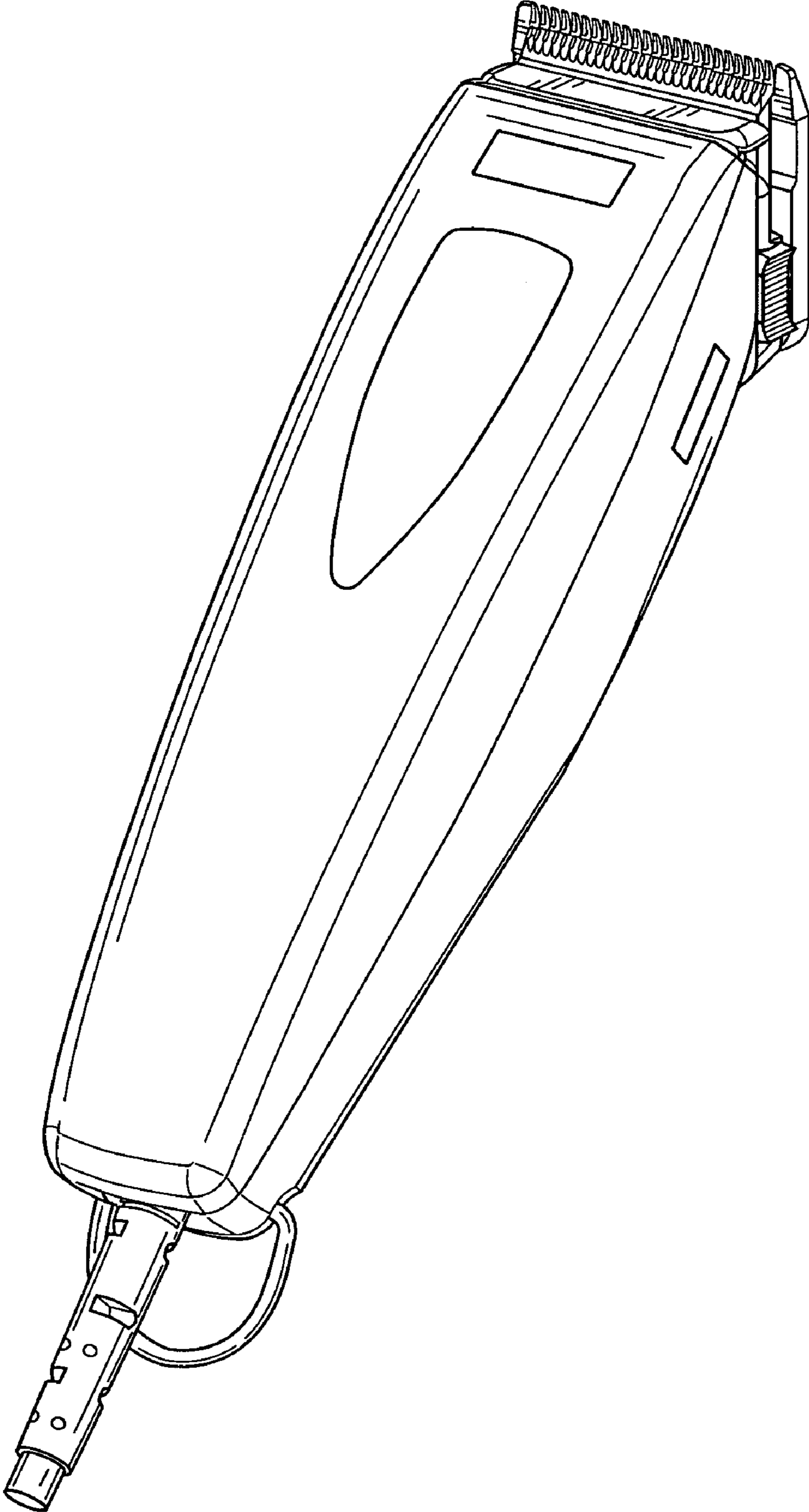


FIG. 1

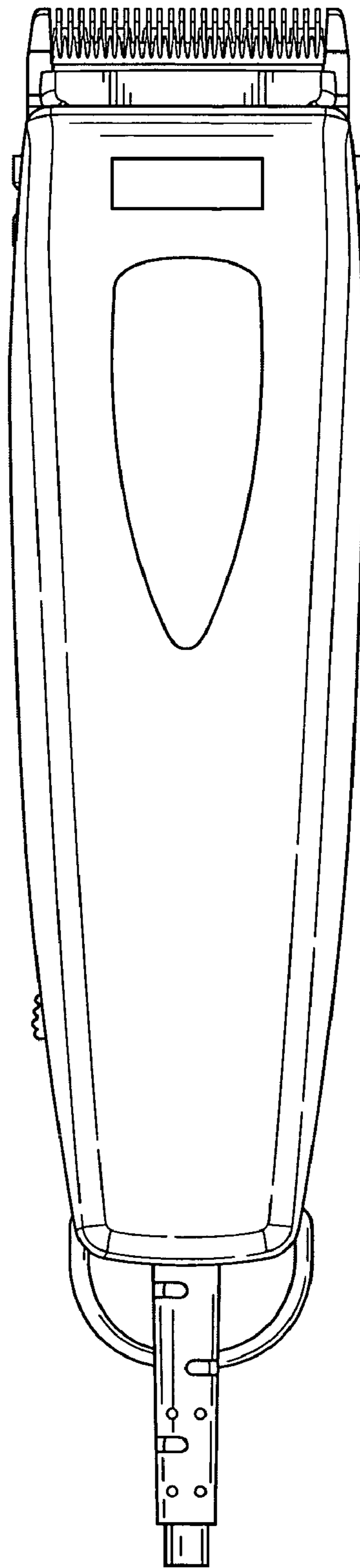


FIG. 2



FIG. 3

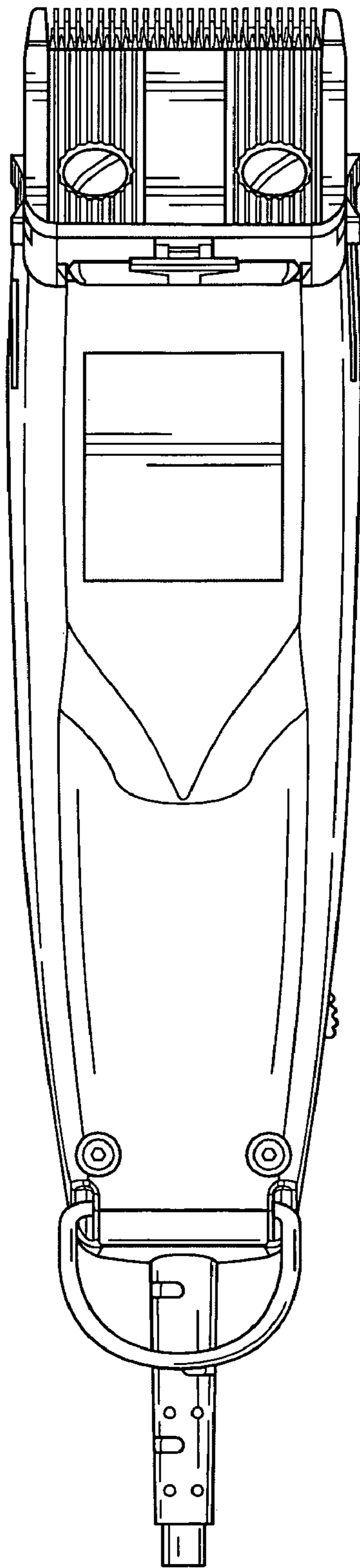


FIG. 4



FIG. 5

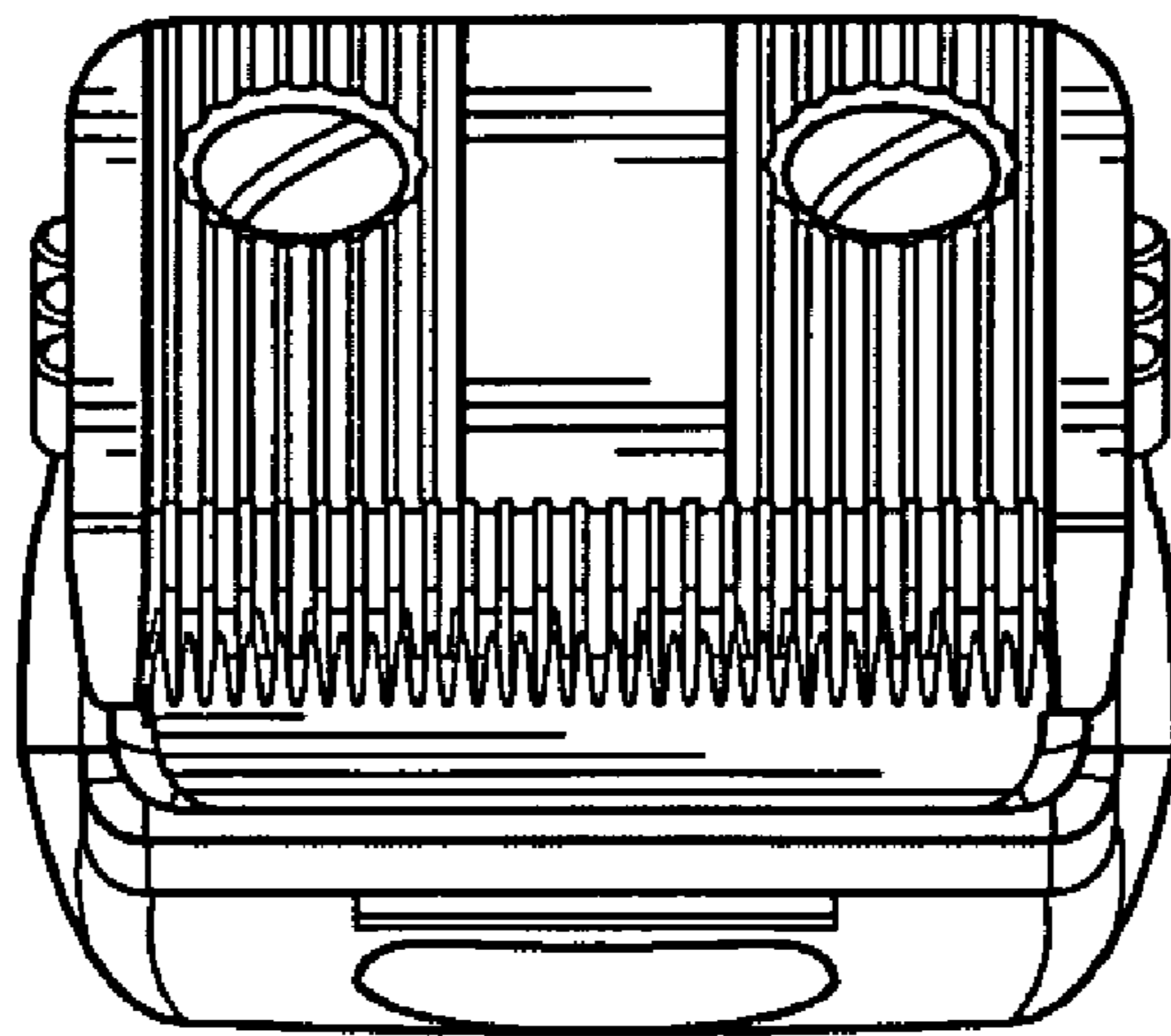


FIG. 6

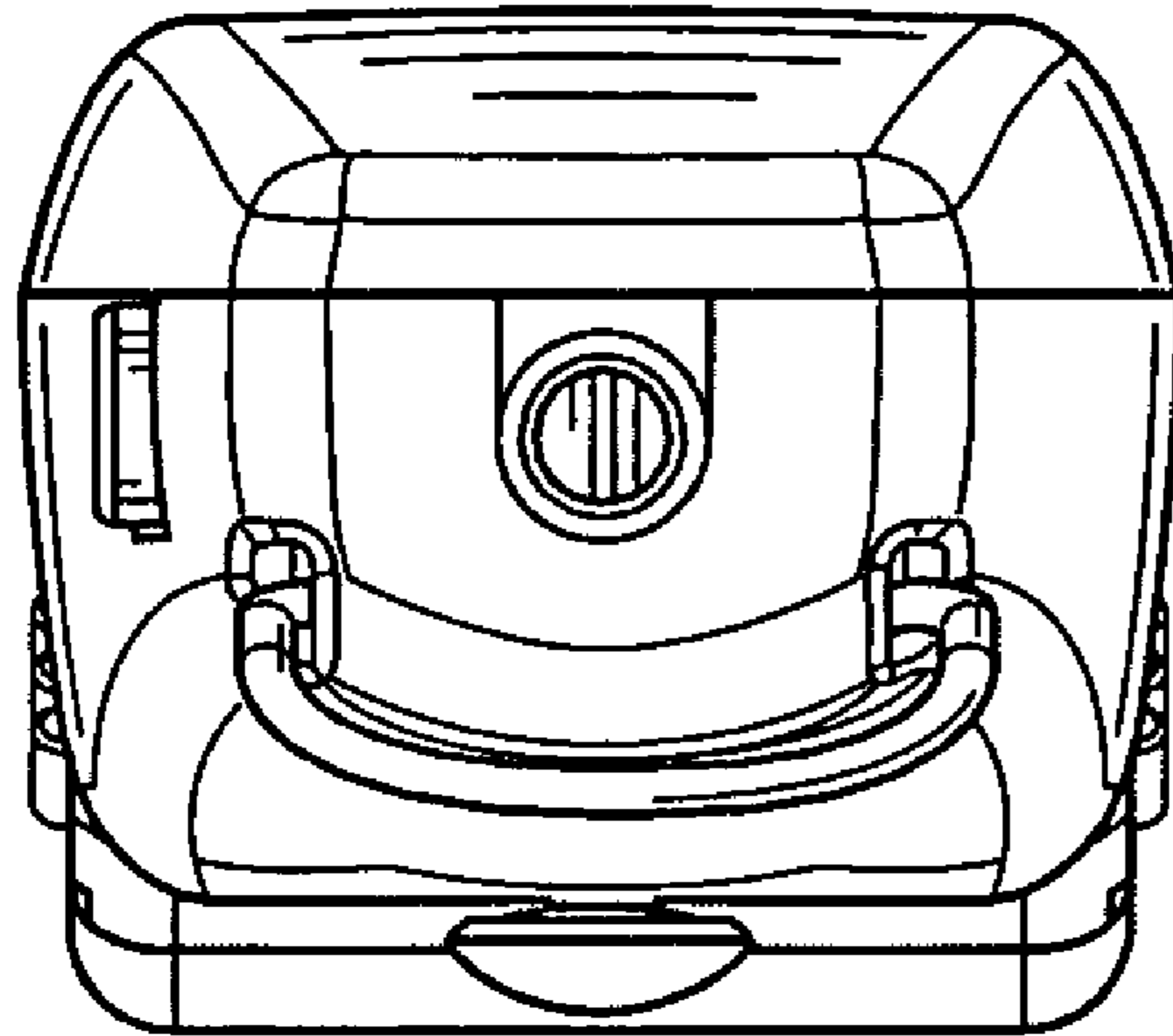


FIG. 7

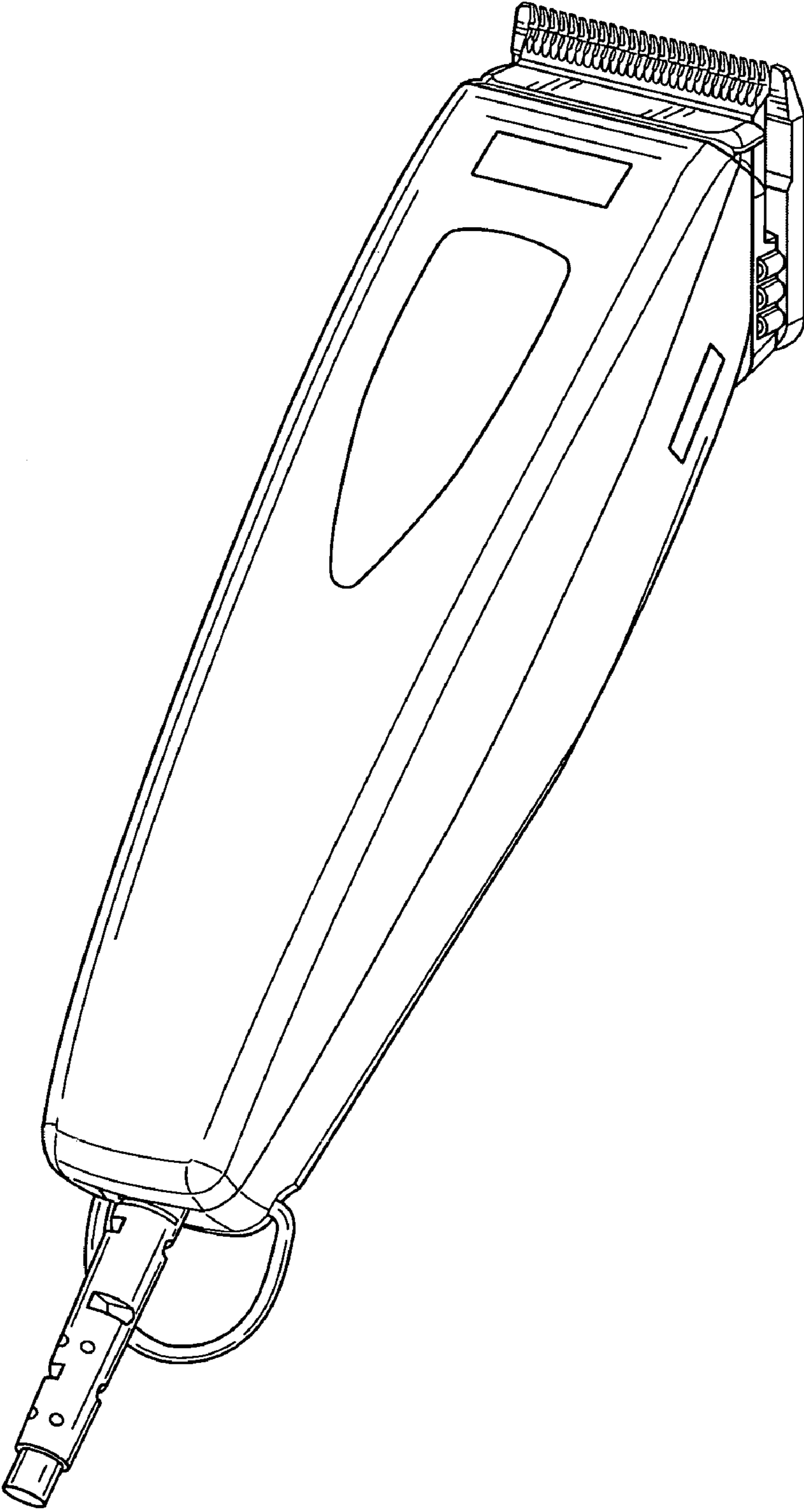


FIG. 8

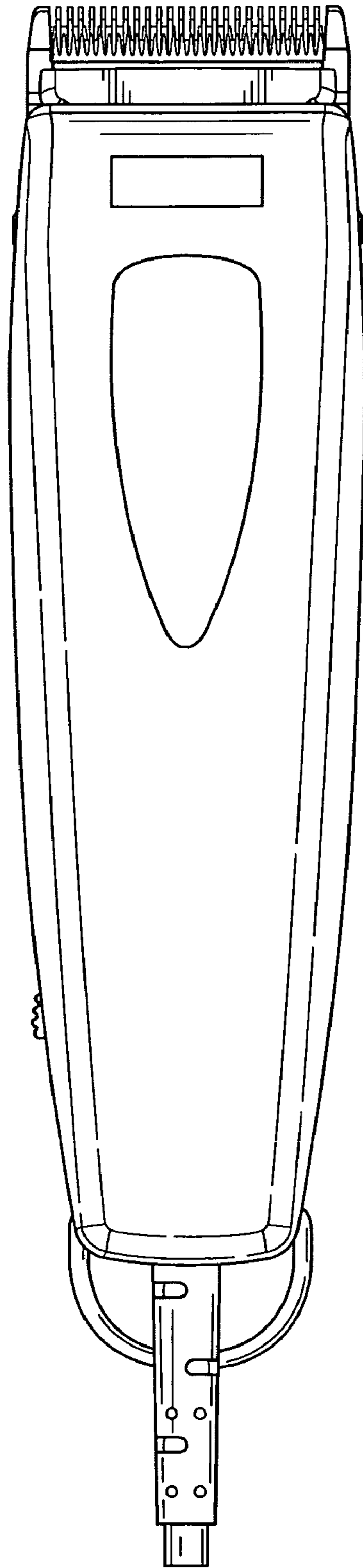


FIG. 9



FIG. 10

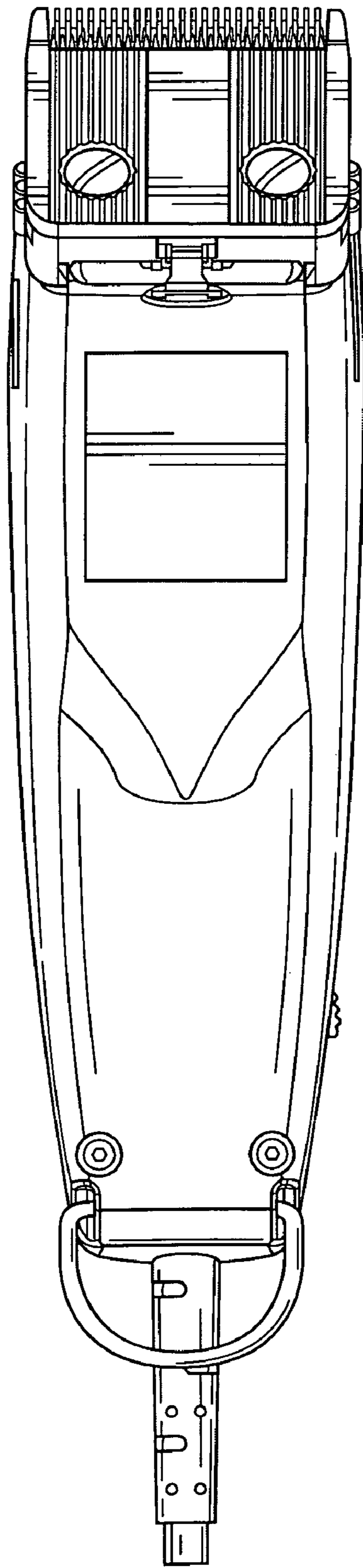


FIG. 11

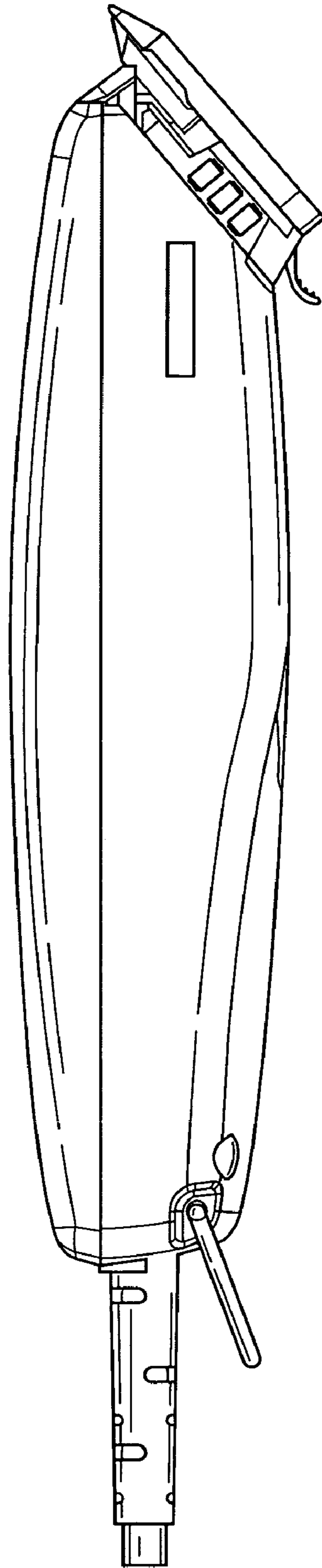


FIG. 12

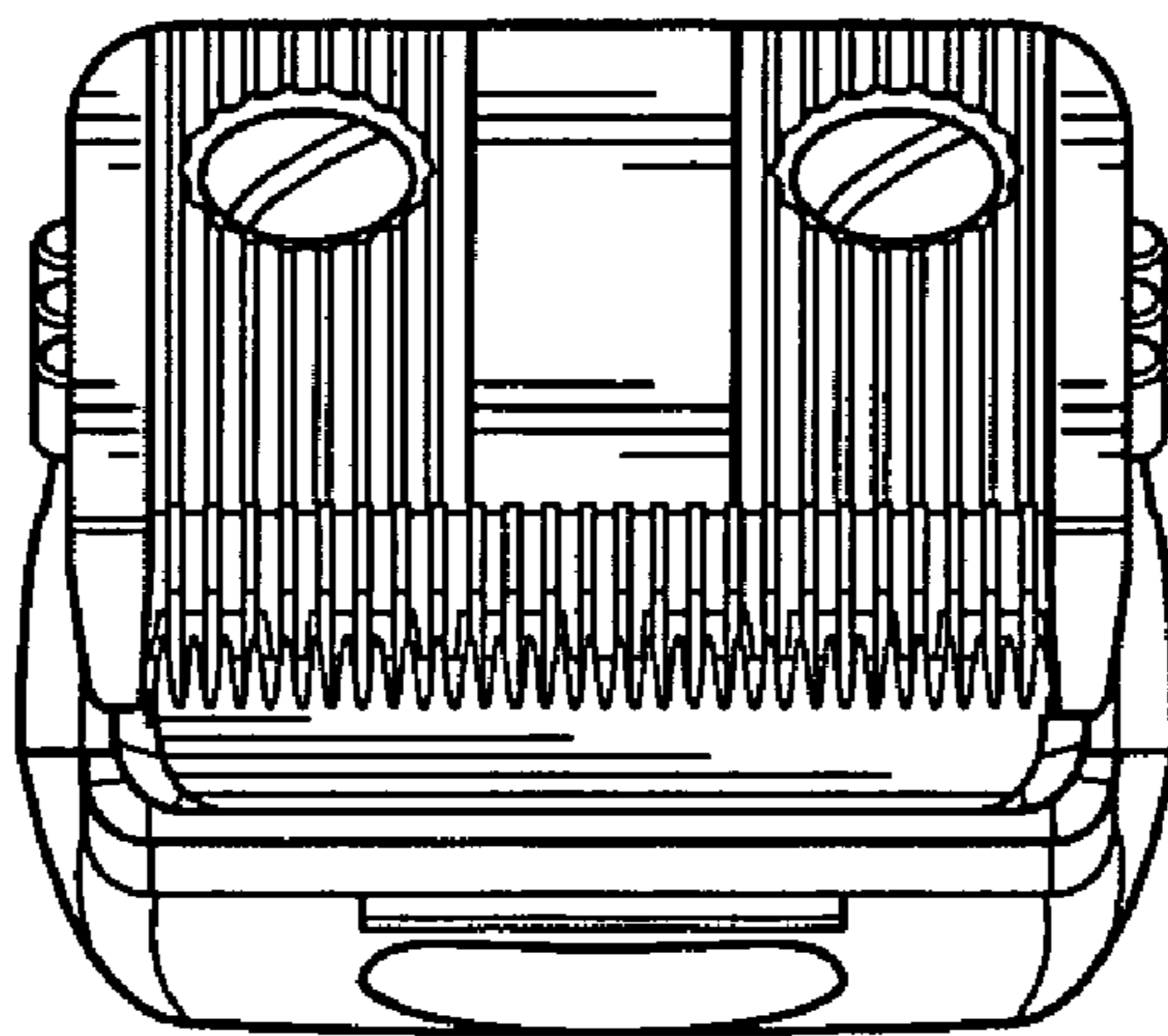


FIG. 13

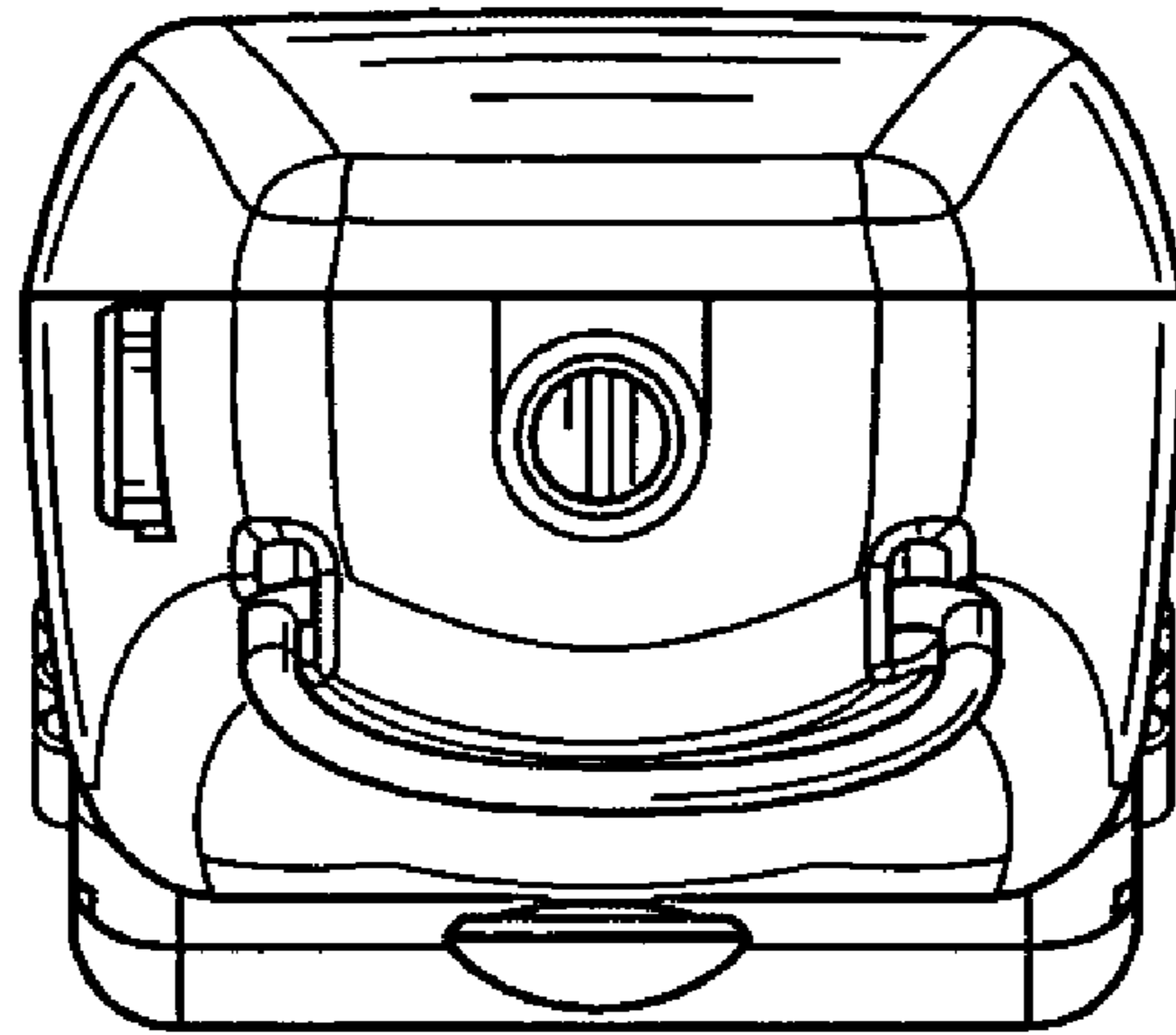


FIG. 14