



US00D623353S

(12) **United States Design Patent**
Nishizawa

(10) **Patent No.:** **US D623,353 S**

(45) **Date of Patent:** **** *Sep. 7, 2010**

(54) **ELECTRIC SHAVER**

(75) Inventor: **Tsuyoshi Nishizawa**, Milan (IT)

(73) Assignee: **Panasonic Electric Works Co., Ltd.**,
Kadoma-shi (JP)

(*) Notice: This patent is subject to a terminal disclaimer.

(**) Term: **14 Years**

(21) Appl. No.: **29/351,681**

(22) Filed: **Dec. 9, 2009**

(30) **Foreign Application Priority Data**

Jun. 10, 2009 (JP) 2009-013167

(51) **LOC (9) Cl.** **28-03**

(52) **U.S. Cl.** **D28/52**

(58) **Field of Classification Search** 30/29.5,
30/30, 32, 34.05, 34.1, 34.2, 43-43.92, 44-45,
30/526-537, 196, 201, 223, 233, 233.5; D28/44,
D28/44.1, 49-54

See application file for complete search history.

(56) **References Cited**

U.S. PATENT DOCUMENTS

D479,360 S * 9/2003 Nishizawa et al. D28/49
D511,398 S * 11/2005 Nishizawa D28/49
D571,959 S * 6/2008 Nishizawa D28/54
D587,849 S * 3/2009 Nishizawa D28/51

FOREIGN PATENT DOCUMENTS

JP 2008-142275 A 6/2008

* cited by examiner

Primary Examiner—Jennifer Rivard

(74) *Attorney, Agent, or Firm*—Marvin A. Motsenbocker;
Mots Law, PLLC

(57) **CLAIM**

The ornamental design for an electric shaver, as shown and described.

DESCRIPTION

FIG. 1 is a perspective view of an electric shaver;
FIG. 2 is a front view thereof;
FIG. 3 is a right side view thereof;
FIG. 4 is a rear view thereof;
FIG. 5 is a 5—5 right side cross-sectional view thereof without internal structure;
FIG. 6 is a 6—6 end view of a sectioned part thereof without internal structure;
FIG. 7 is a 7—7 end view of a sectioned part thereof without internal structure;
FIG. 8 is an 8a—8a partial end view of a sectioned part thereof along 8b—8b line without internal structure;
FIG. 9 is a top plan view thereof; and,
FIG. 10 is a bottom plan view thereof.

A left side view of the electric shaver is a minor image of the right side view, and therefore omitted.

The two small circles immediately below the power button have a transparent surface.

Broken lines and hatchings shown in drawings are for illustrative purposes only and form no part of the claimed design.

1 Claim, 10 Drawing Sheets

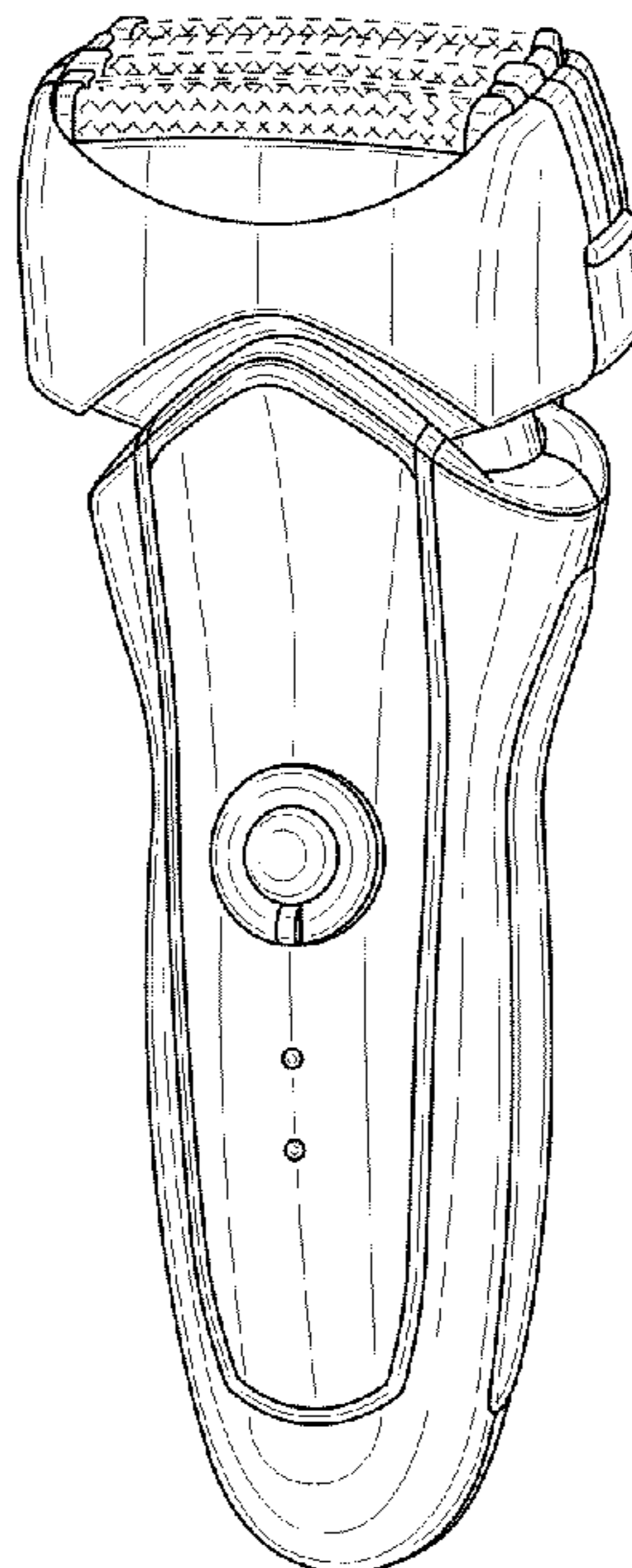


Fig.1

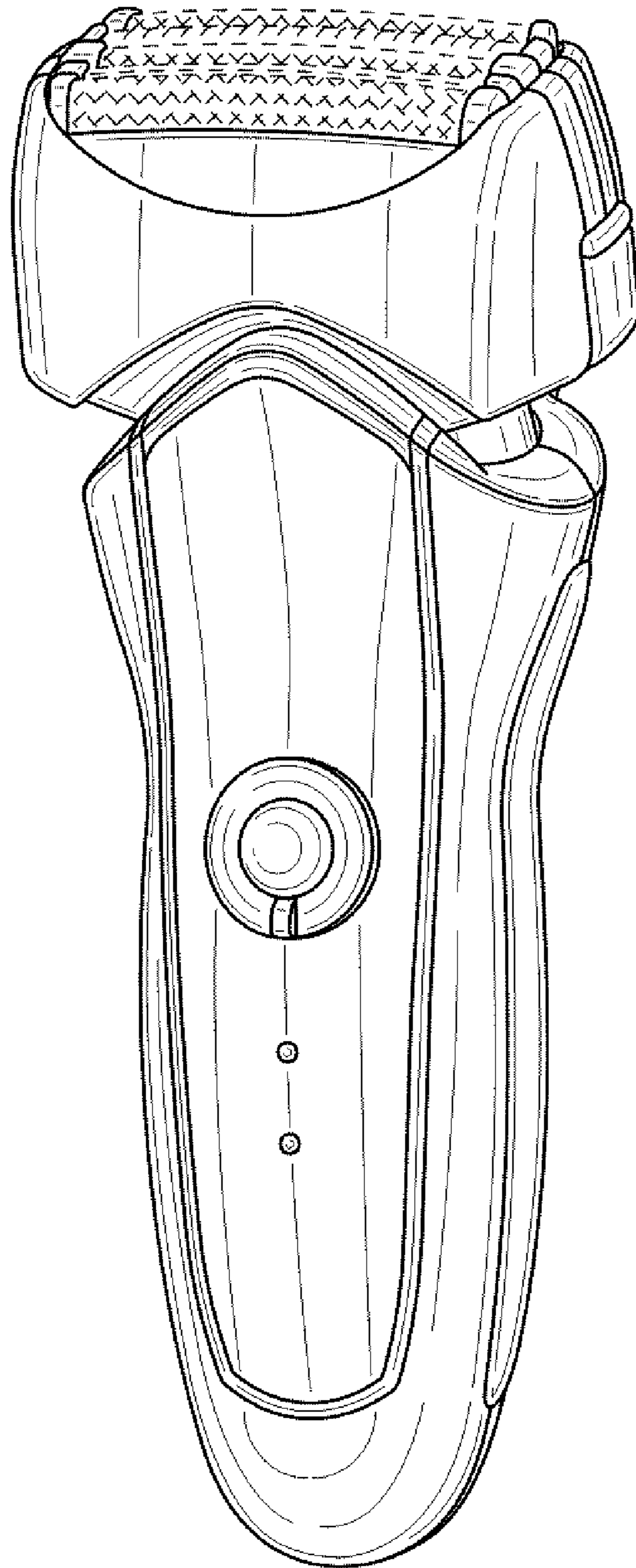


Fig.2

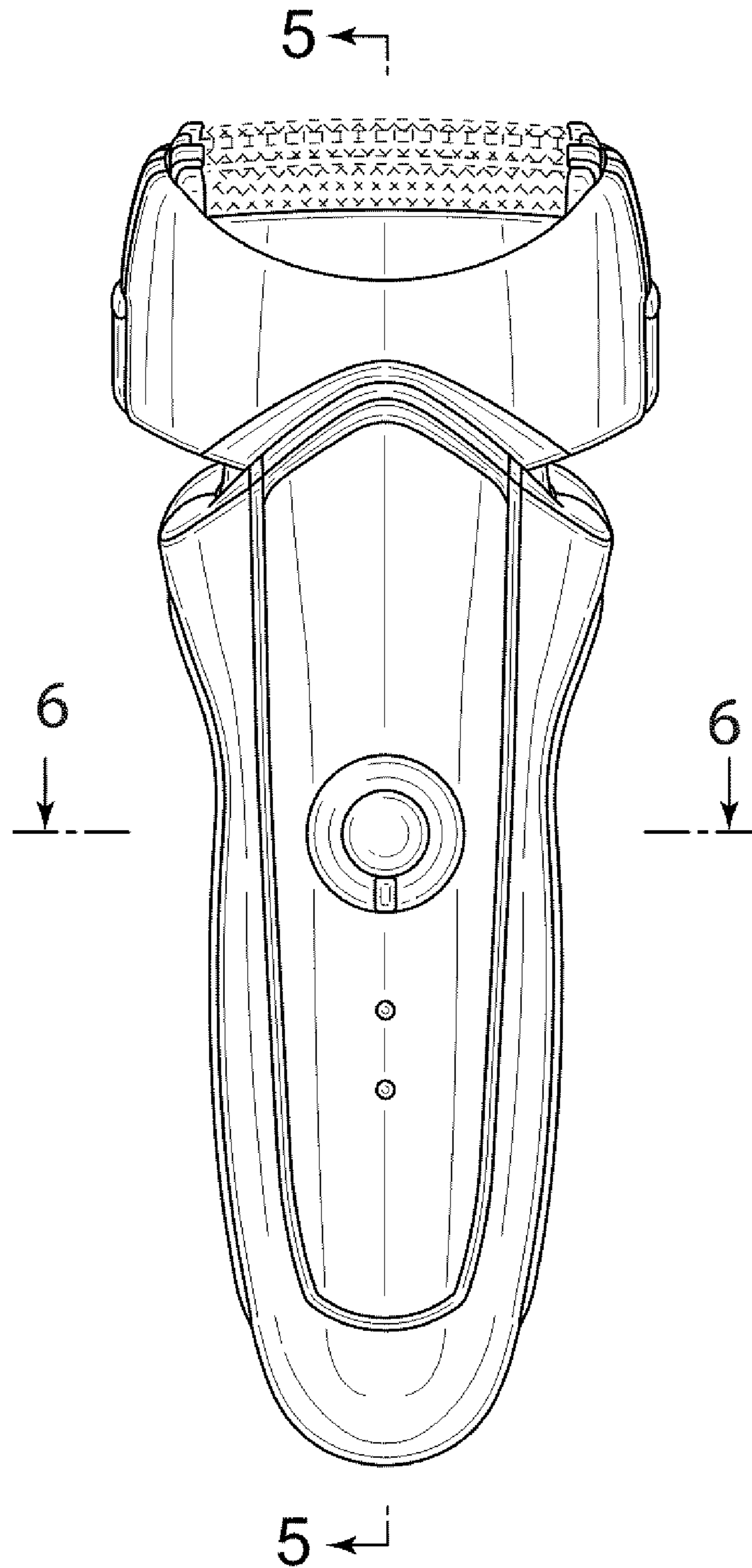


Fig.3

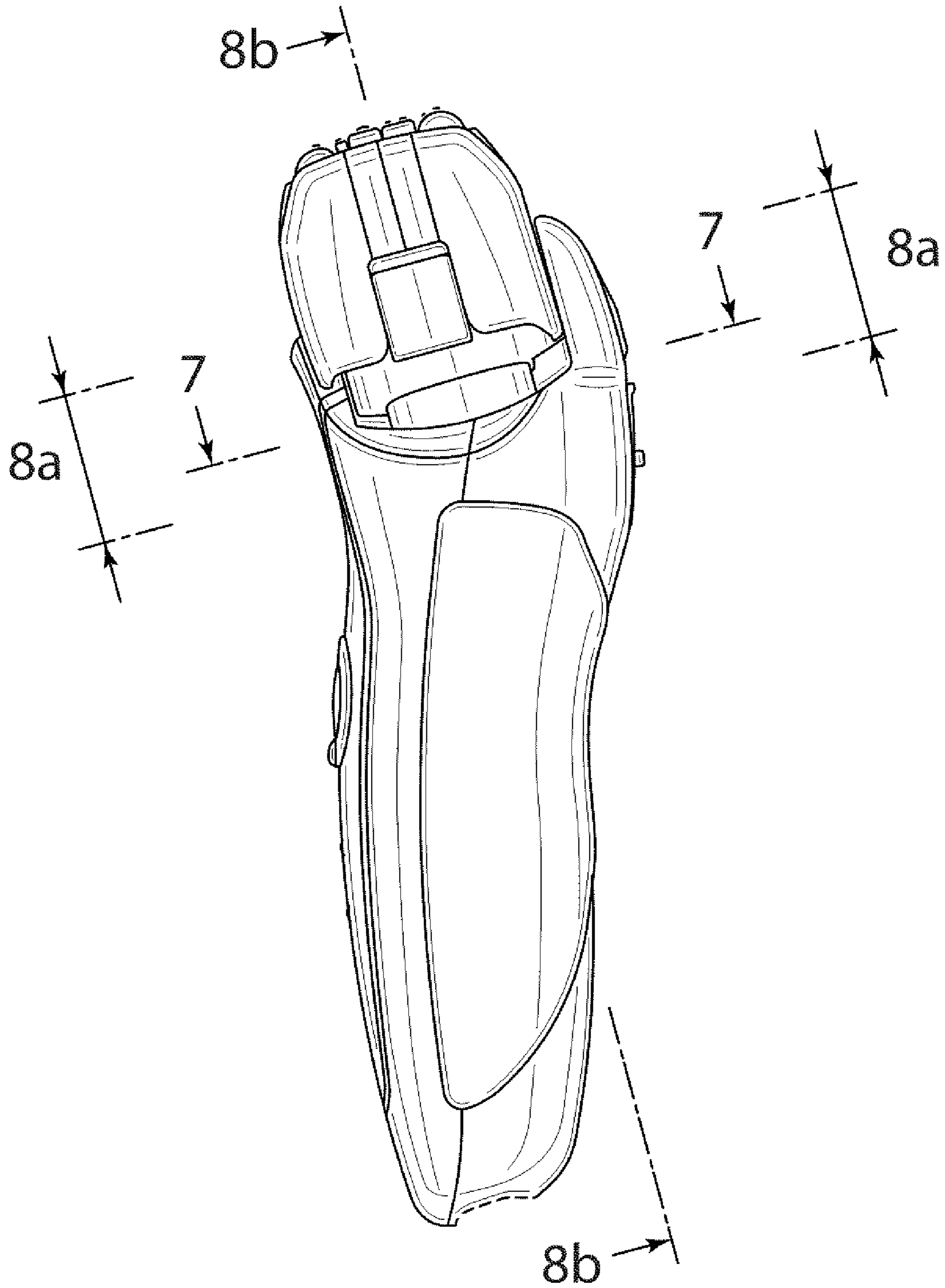


Fig.4

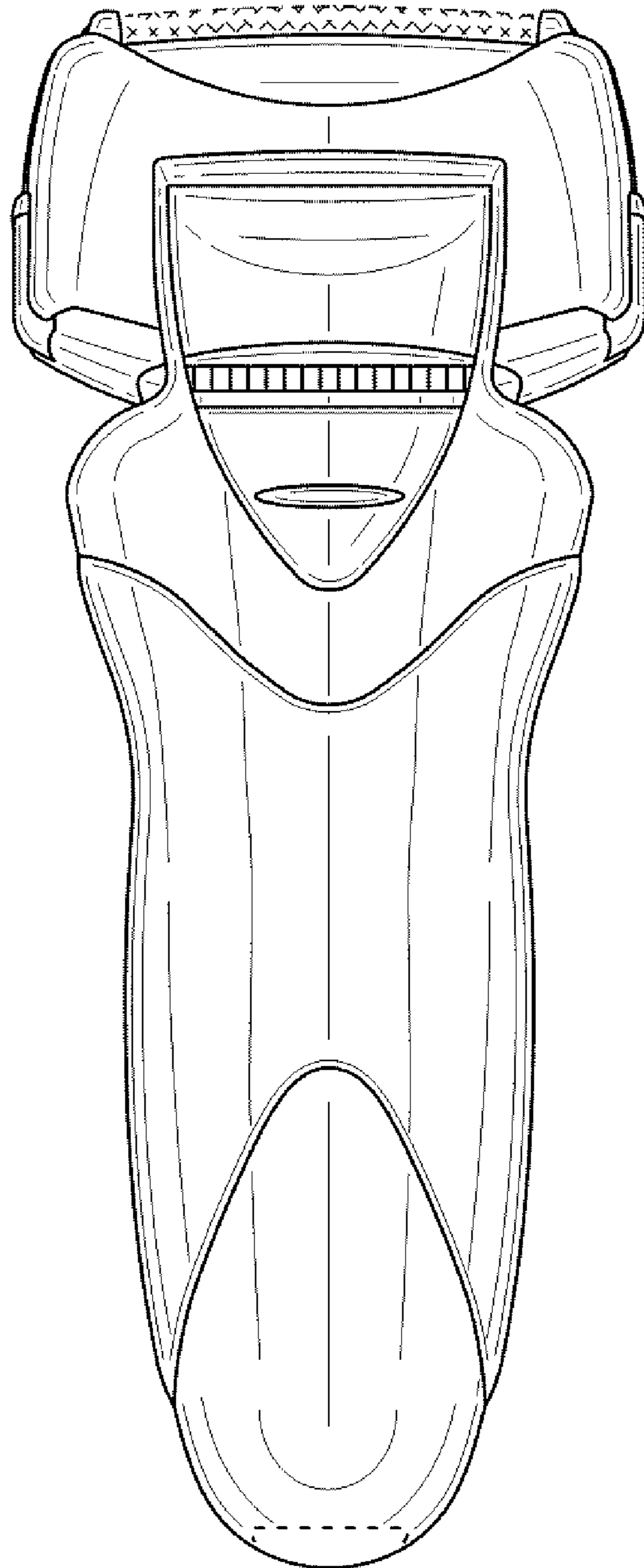


Fig.5

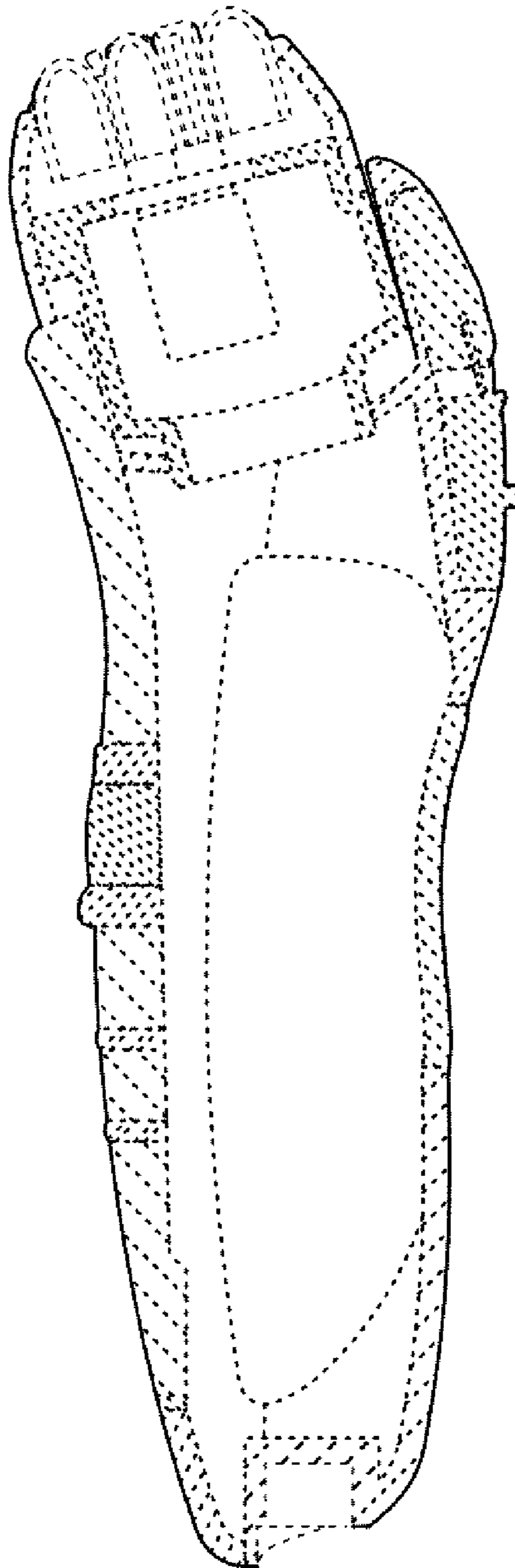


Fig.6

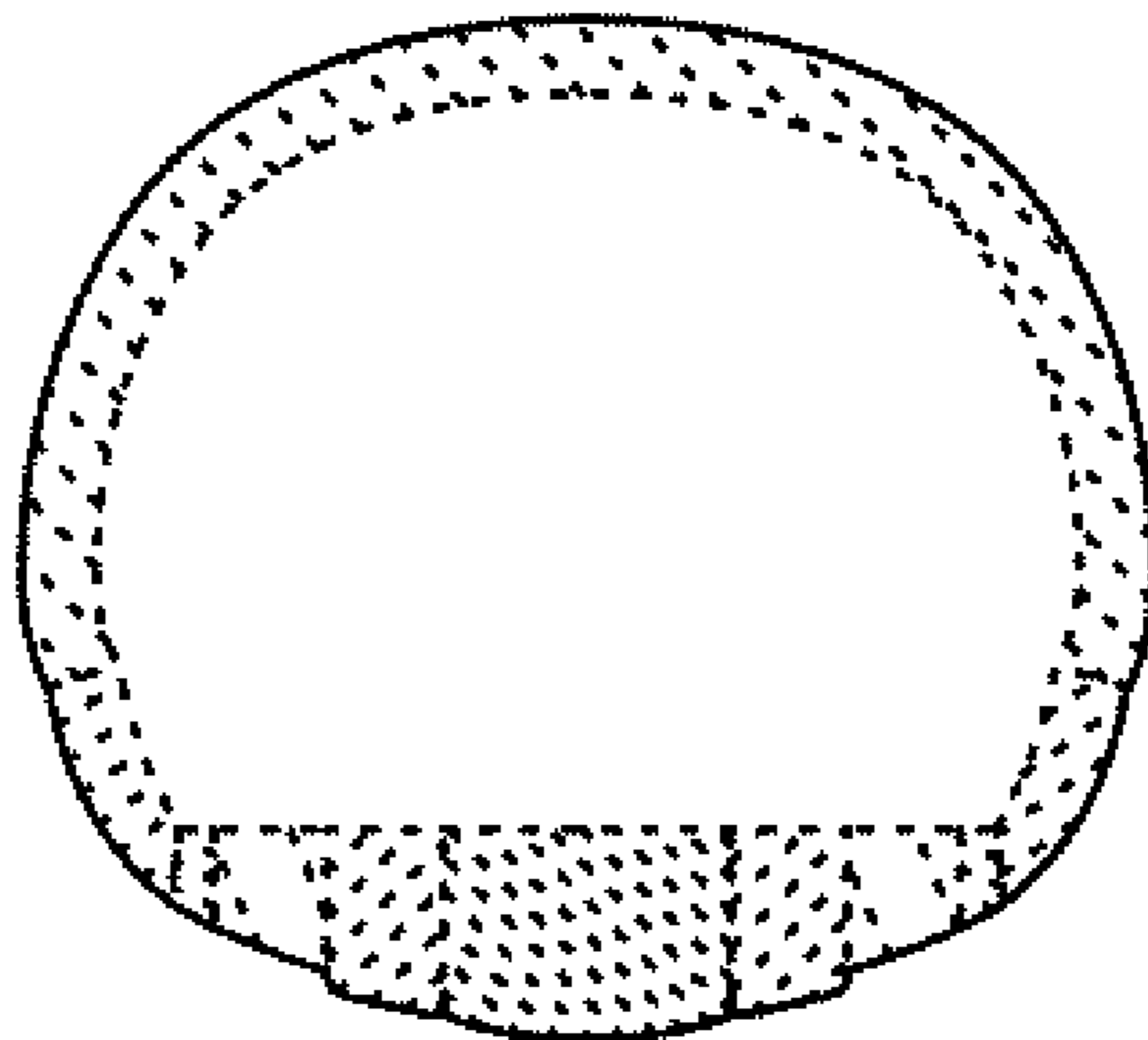


Fig. 7

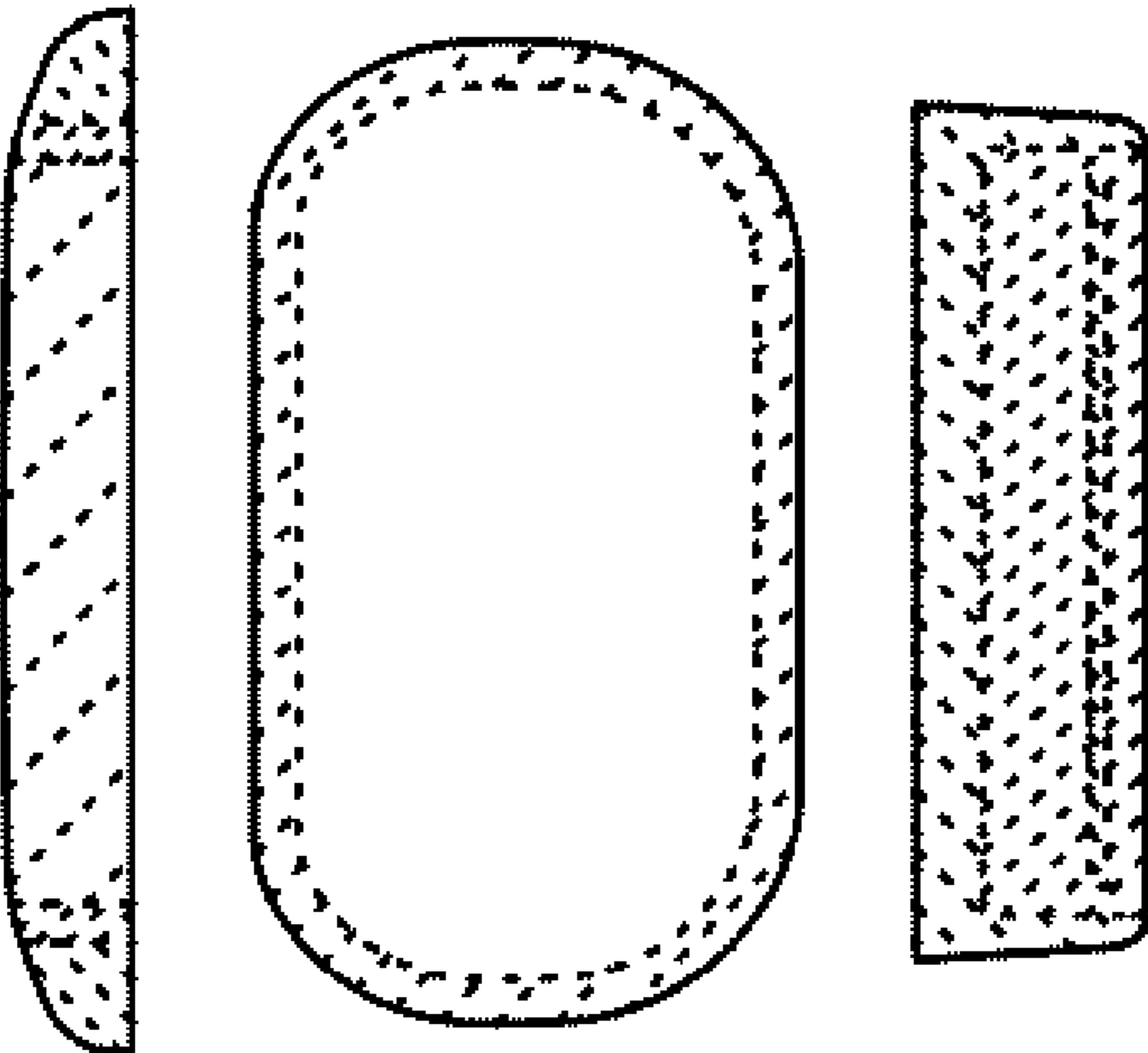


Fig.8



Fig.9

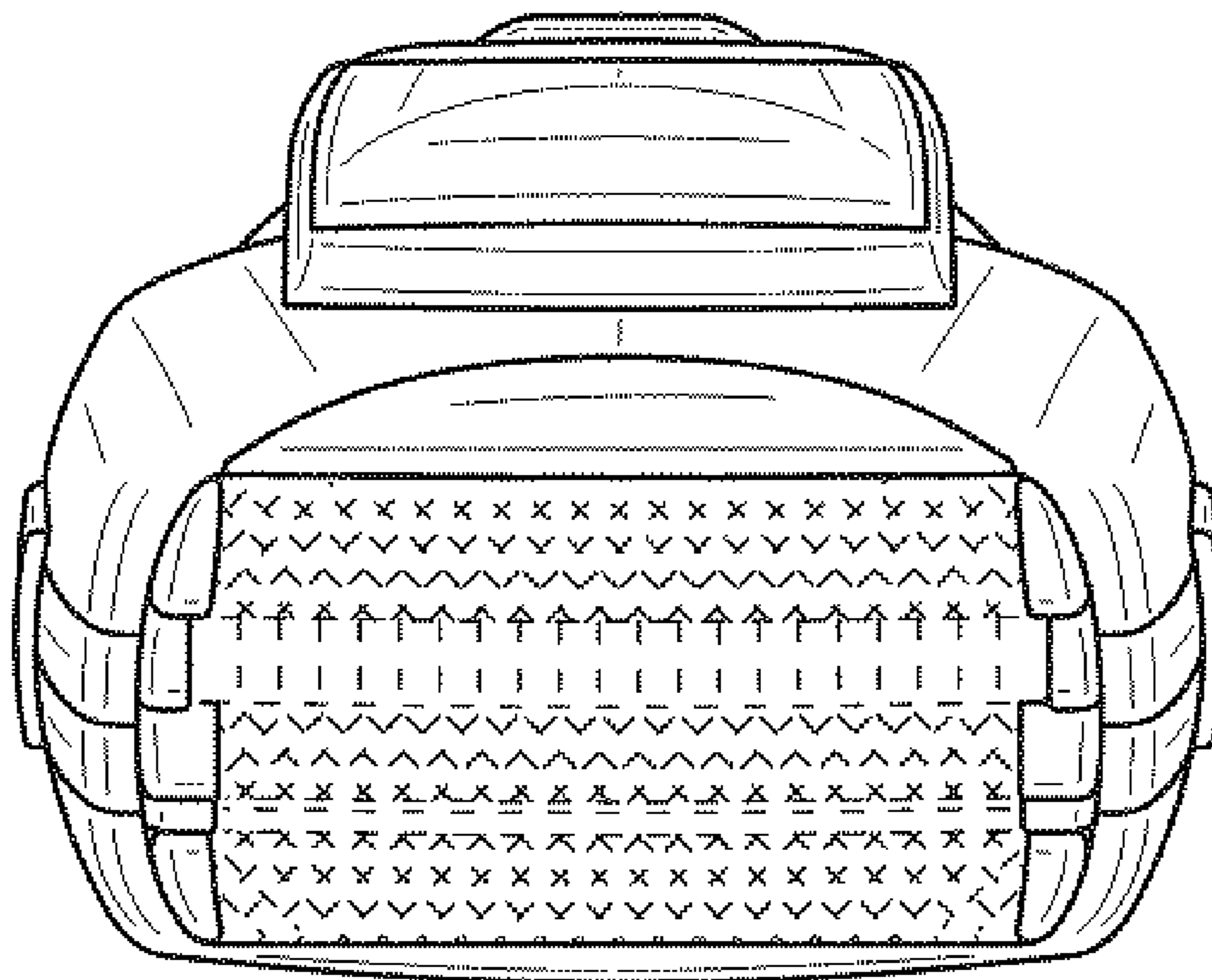


Fig. 10

