



US00D623351S

(12) **United States Design Patent**  
**Kirkeby**

(10) **Patent No.:** **US D623,351 S**

(45) **Date of Patent:** **\*\* Sep. 7, 2010**

(54) **CIGARETTE WITH STOPPING POINT INDICATOR**

(76) Inventor: **Geraldine W. Kirkeby**, 2710 Obelisco Ct., Carlsbad, CA (US) 92009

(\*\*) Term: **14 Years**

(21) Appl. No.: **29/345,595**

(22) Filed: **Oct. 19, 2009**

(51) **LOC (9) Cl.** ..... **27-01**

(52) **U.S. Cl.** ..... **D27/101**

(58) **Field of Classification Search** ..... D27/100,  
D27/101; 131/58, 105, 106, 280, 330  
See application file for complete search history.

(56) **References Cited**

U.S. PATENT DOCUMENTS

198,977	A *	1/1878	Gordon	.....	131/361
D34,334	S	4/1901	Requard		
D38,628	S	6/1907	Ruden		
D104,255	S	4/1937	Gurvitch		
D137,300	S	2/1944	Vinson		
D170,716	S	10/1953	Reseska		
D180,540	S	6/1957	Weber, III		
D193,753	S *	10/1962	Watts	.....	D27/101
3,608,561	A *	9/1971	Dock	.....	131/336
D229,789	S *	1/1974	Berger	.....	D27/101
D229,790	S *	1/1974	Berger	.....	D27/101
D240,541	S *	7/1976	Rupert	.....	D27/101
D240,740	S	7/1976	Fukushima		

D244,517	S	5/1977	Spencer		
4,557,279	A	12/1985	Fuerste		
RE32,615	E *	3/1988	Luke	.....	131/361
5,031,645	A *	7/1991	Kim	.....	131/329
D322,333	S *	12/1991	Raich	.....	D27/101
5,101,840	A *	4/1992	Riehl, Jr.	.....	131/365
D453,854	S	2/2002	Verhoeven-Koster		
D589,647	S *	3/2009	Danforth	.....	D27/101
2008/0276946	A1 *	11/2008	Desmond	.....	131/187

\* cited by examiner

*Primary Examiner*—Stella M Reid

*Assistant Examiner*—Keli L Hill

(74) *Attorney, Agent, or Firm*—QuickPatents, Inc.; Kevin Prince

(57) **CLAIM**

I claim the ornamental design for a cigarette with stopping point indicator, as shown and described.

**DESCRIPTION**

FIG. 1 is a perspective view of a cigarette with stopping point indicator, showing my new design;

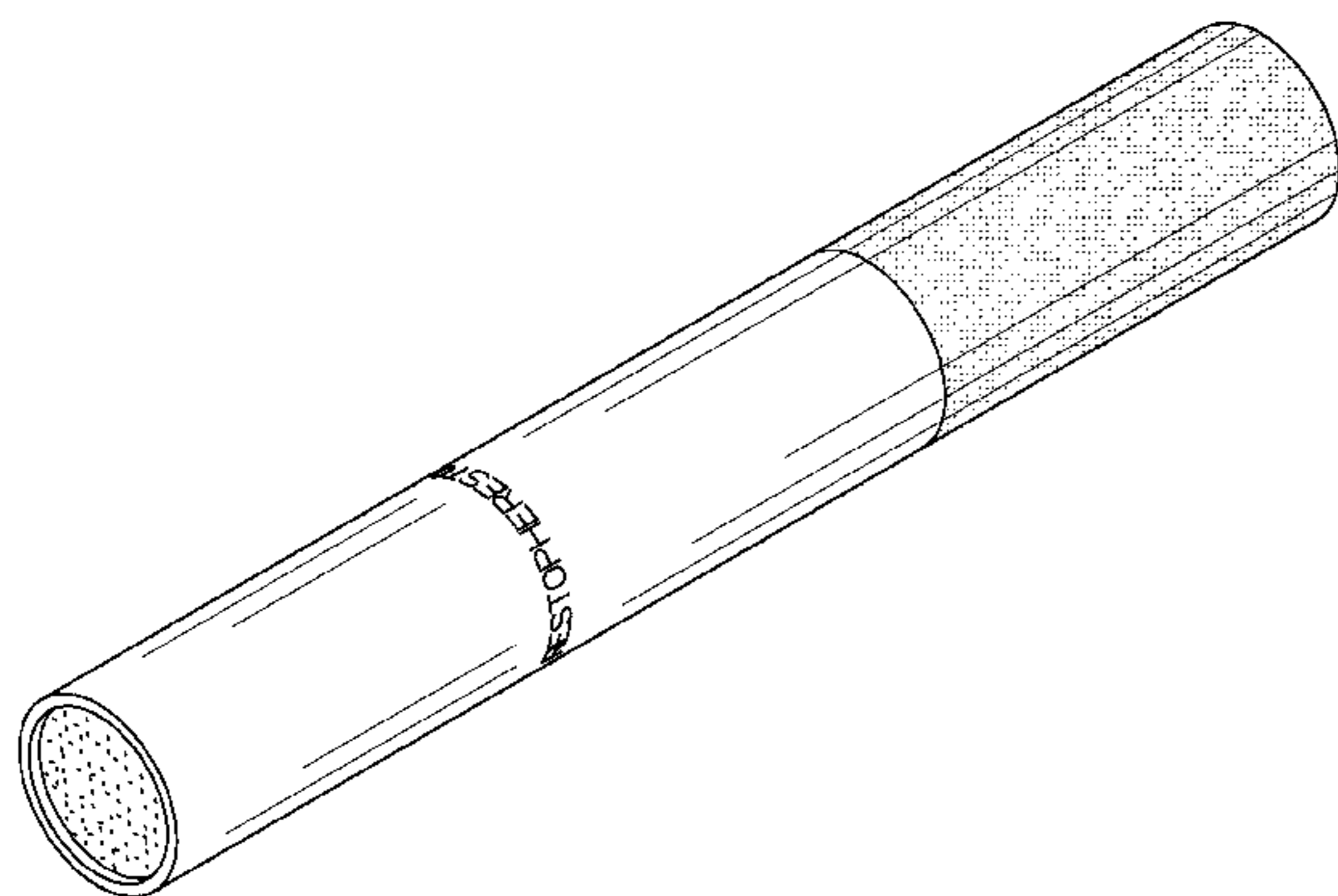
FIG. 2 is a front elevational view thereof, the left side elevational view being identical thereto;

FIG. 3 is a top plan view thereof; and,

FIG. 4 is a bottom plan view thereof.

The rear and right side elevational views are a mirror image to the FIG. 2 drawing view.

**1 Claim, 1 Drawing Sheet**



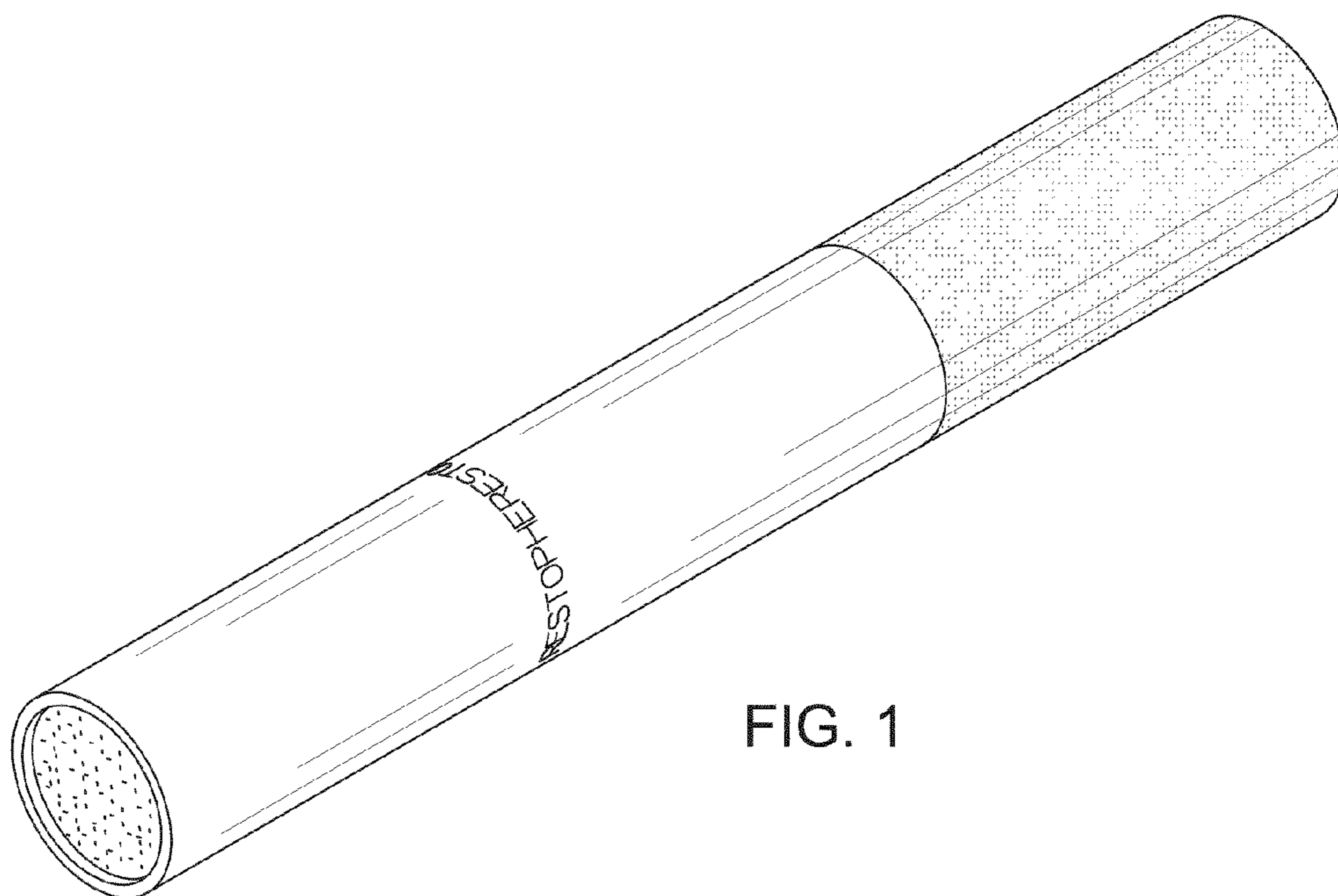


FIG. 1

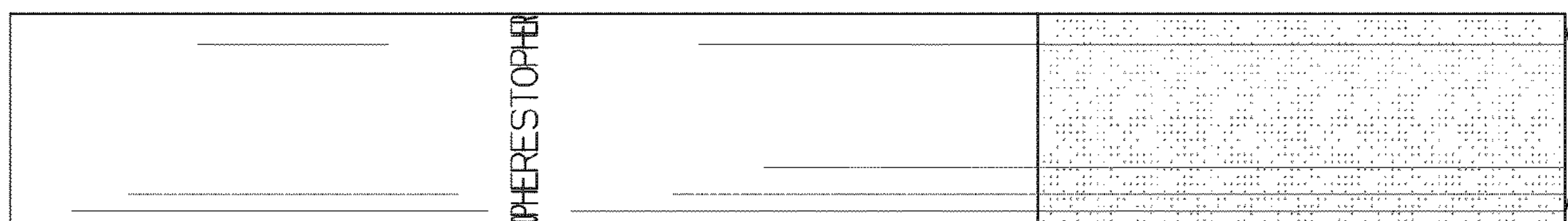


FIG. 2

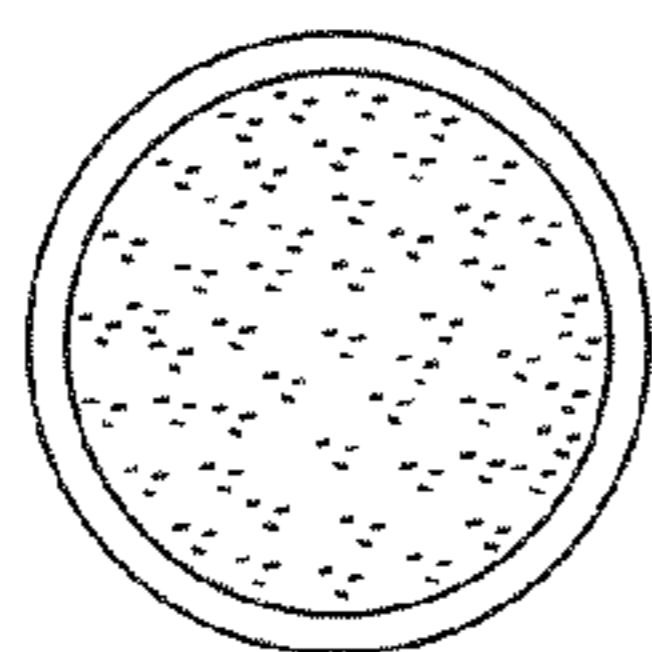


FIG. 3

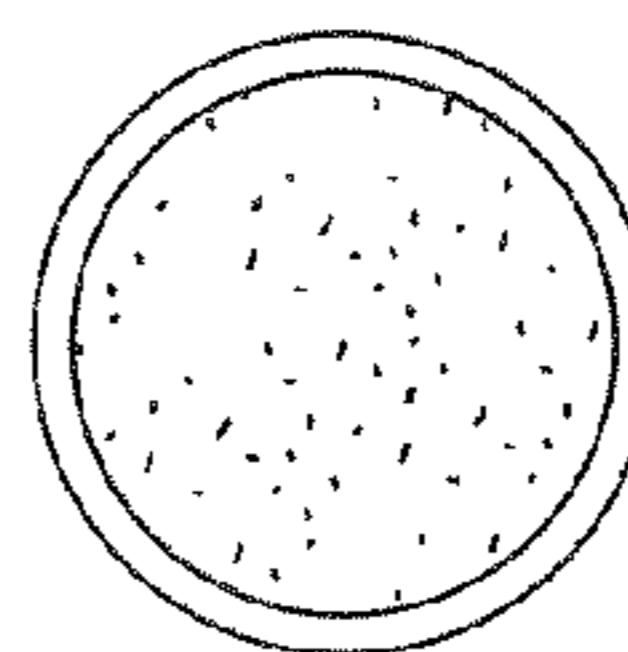


FIG. 4