



US00D623350S

(12) **United States Design Patent**
Tsai

(10) **Patent No.:** **US D623,350 S**
(45) **Date of Patent:** **** Sep. 7, 2010**

(54) **LAMP SUPPORTING DEVICE**

(75) Inventor: **Ping-Jung Tsai, Miao-Li Hsien (TW)**

(73) Assignee: **Foxsemicon Integrated Technology, Inc., Chu-Nan, Miao-Li Hsien (TW)**

(**) Term: **14 Years**

(21) Appl. No.: **29/360,297**

(22) Filed: **Apr. 22, 2010**

(30) **Foreign Application Priority Data**

Feb. 4, 2010 (TW) 099300513

(51) **LOC (9) Cl.** **26-99**

(52) **U.S. Cl.** **D26/140**

(58) **Field of Classification Search** D26/28,
D26/30, 31, 118, 2, 74, 152, 38, 26, 142,
D26/123, 122, 120, 128, 131, 133, 134, 119,
D26/121, 124, 129, 138, 139, 140, 141, 61,
D26/63, 107, 67, 71, 70, 72; 362/294, 373,
362/493, 496, 509, 147, 257, 296, 317, 326,
362/331, 335, 340, 350, 364, 384, 365; D23/411;
D13/180; 40/572, 592; D20/10, 17, 42;
248/343, 323; 174/58; D8/16, 354, 355,
D8/366, 373, 380, 381, 382, 383

See application file for complete search history.

(56) **References Cited**

U.S. PATENT DOCUMENTS

3,609,338 A * 9/1971 Kripp 362/366
3,912,865 A * 10/1975 Seebinger 381/124
4,716,344 A * 12/1987 Newell et al. 315/312
5,823,664 A * 10/1998 Demshki et al. 362/366
6,082,878 A * 7/2000 Doubek et al. 362/365
6,336,613 B1 * 1/2002 Roth 248/27.1

6,578,808 B1 * 6/2003 Bertagni et al. 248/343
6,652,124 B2 * 11/2003 Doubek et al. 362/285
6,710,929 B2 * 3/2004 Phuly et al. 359/641
7,118,254 B2 * 10/2006 Czech 362/365
D544,128 S * 6/2007 Carro D26/74
7,234,674 B2 * 6/2007 Rippel et al. 248/343
D565,222 S * 3/2008 Dixon D26/63
7,478,931 B2 * 1/2009 Miletich et al. 362/364
7,484,866 B1 * 2/2009 Buse 362/366
7,540,460 B2 * 6/2009 Orth et al. 248/343
7,625,105 B1 * 12/2009 Johnson 362/364
7,658,517 B2 * 2/2010 Czech et al. 362/364
2001/0006462 A1 * 7/2001 Kotovsky et al. 362/364
2005/0230589 A1 * 10/2005 Wronski 248/323
2006/0193142 A1 * 8/2006 Dupre 362/418
2007/0025110 A1 * 2/2007 Langlois et al. 362/427

* cited by examiner

Primary Examiner—Cathron C Brooks

Assistant Examiner—Kevin K Rudzinski

(74) *Attorney, Agent, or Firm*—Raymond J. Chew

(57) **CLAIM**

The ornamental design for a lamp supporting device, as shown.

DESCRIPTION

FIG. 1 is a perspective view of a lamp supporting device showing my new design.

FIG. 2 is a front elevational view thereof.

FIG. 3 is a rear elevational view thereof.

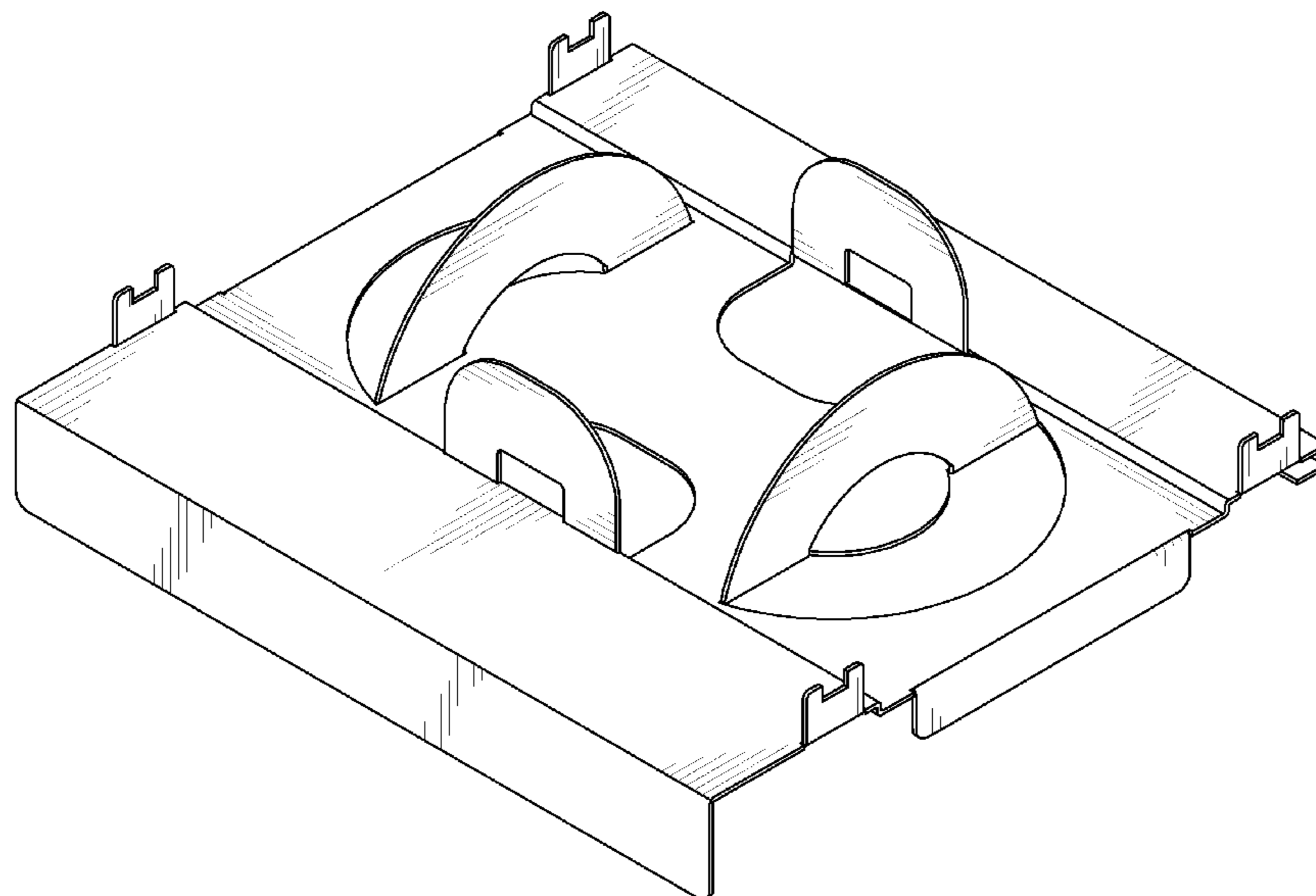
FIG. 4 is a left-side, elevational view thereof.

FIG. 5 is a right-side, elevational view thereof.

FIG. 6 is a top plan view thereof; and,

FIG. 7 is a bottom plan view thereof.

1 Claim, 7 Drawing Sheets



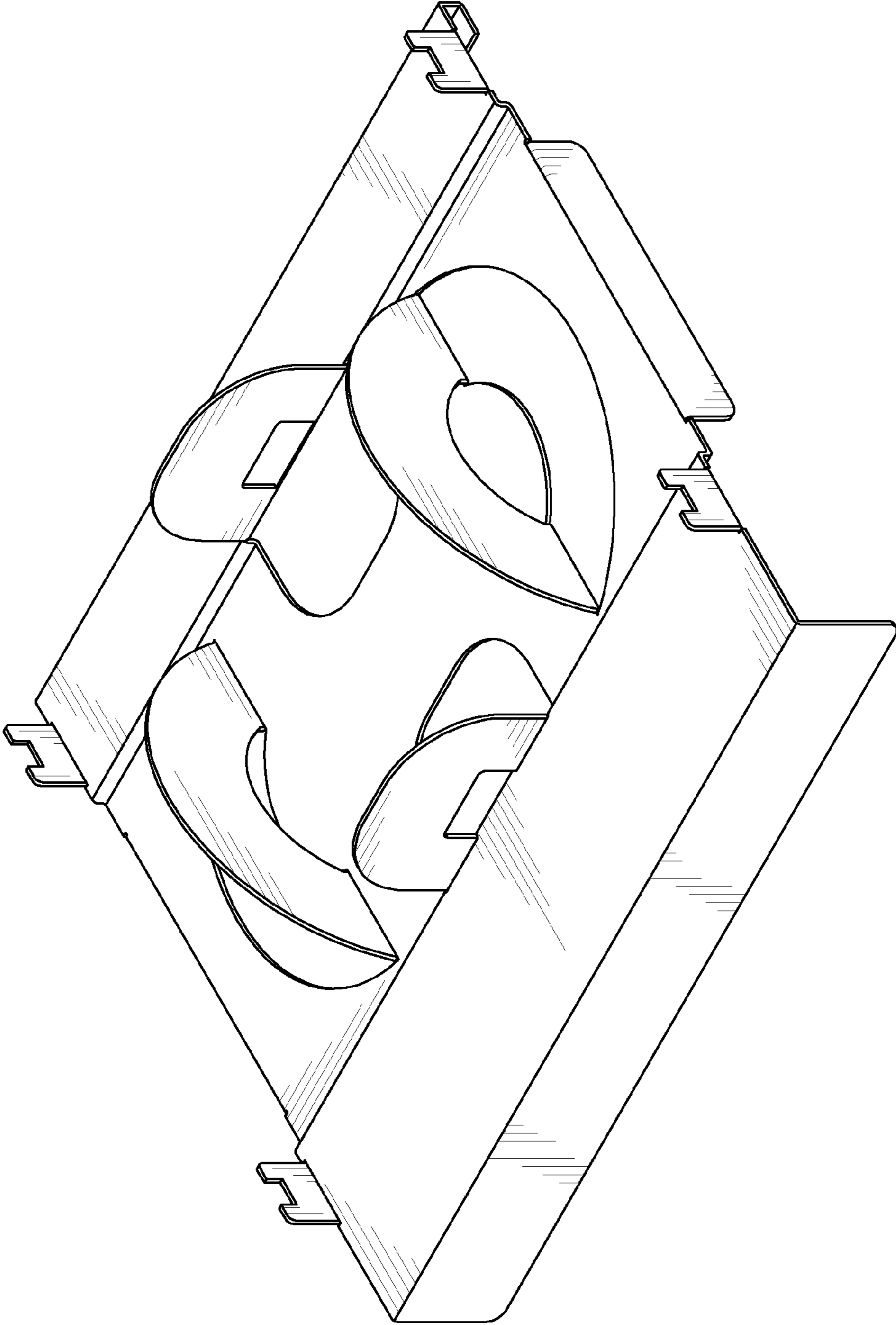


FIG. 1

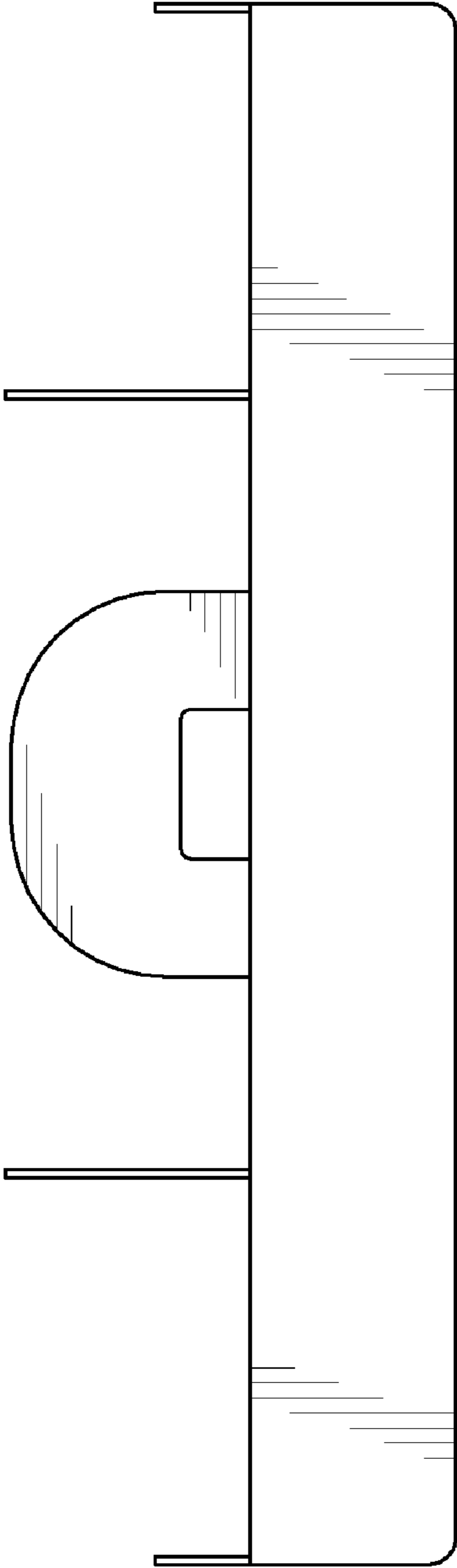


FIG. 2

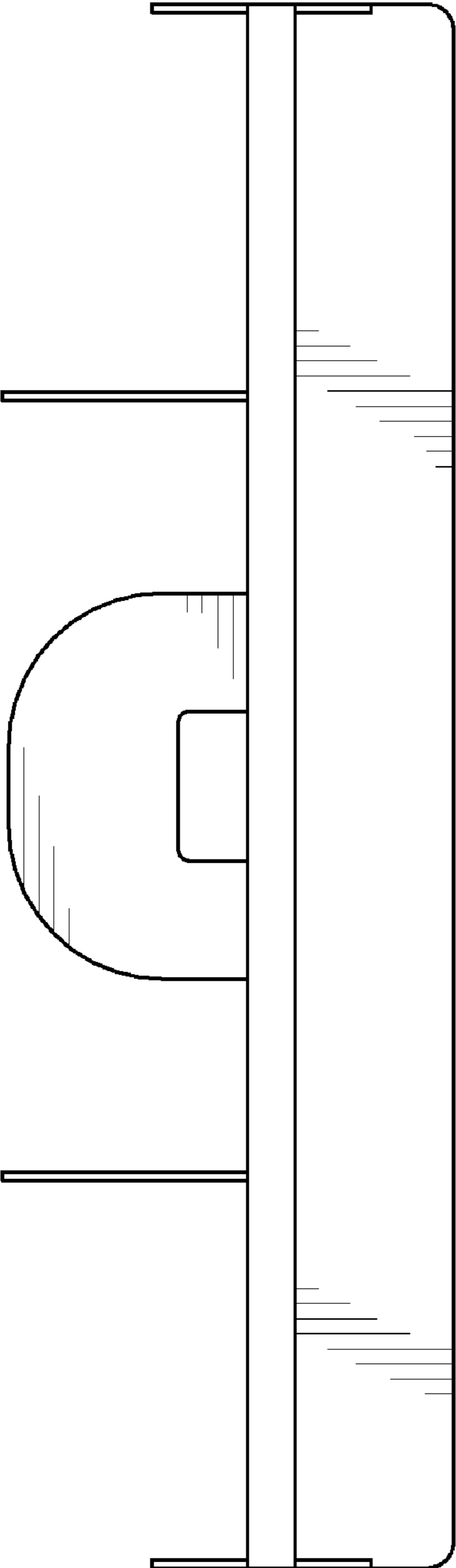


FIG. 3

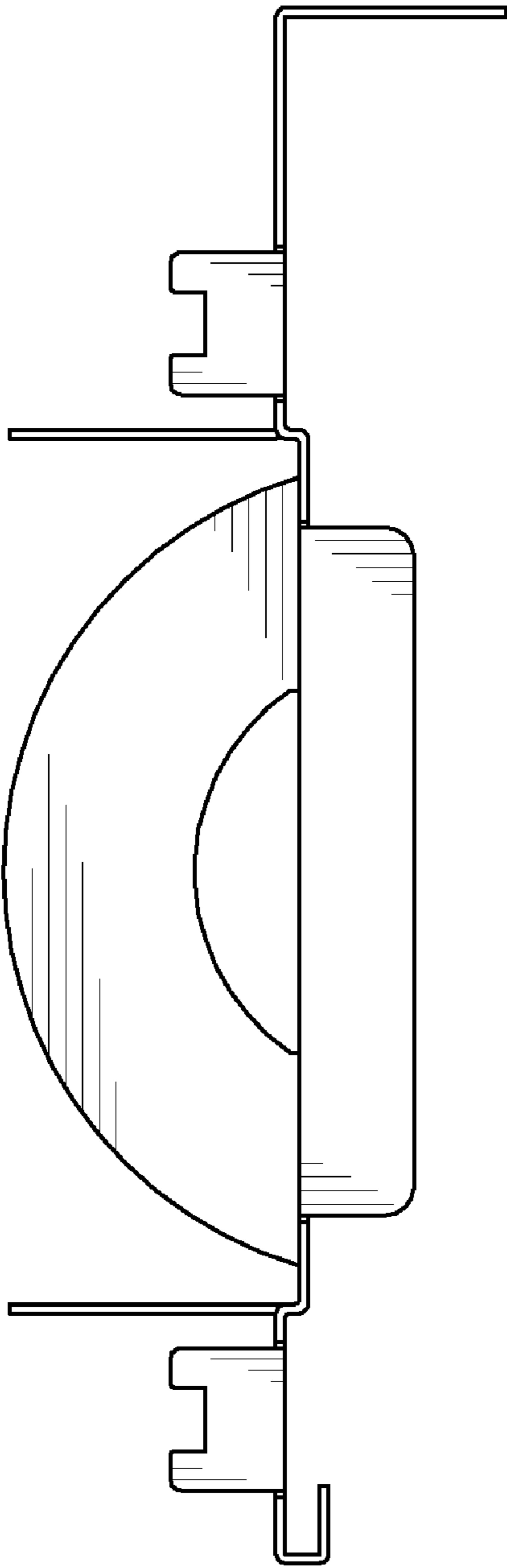


FIG. 4

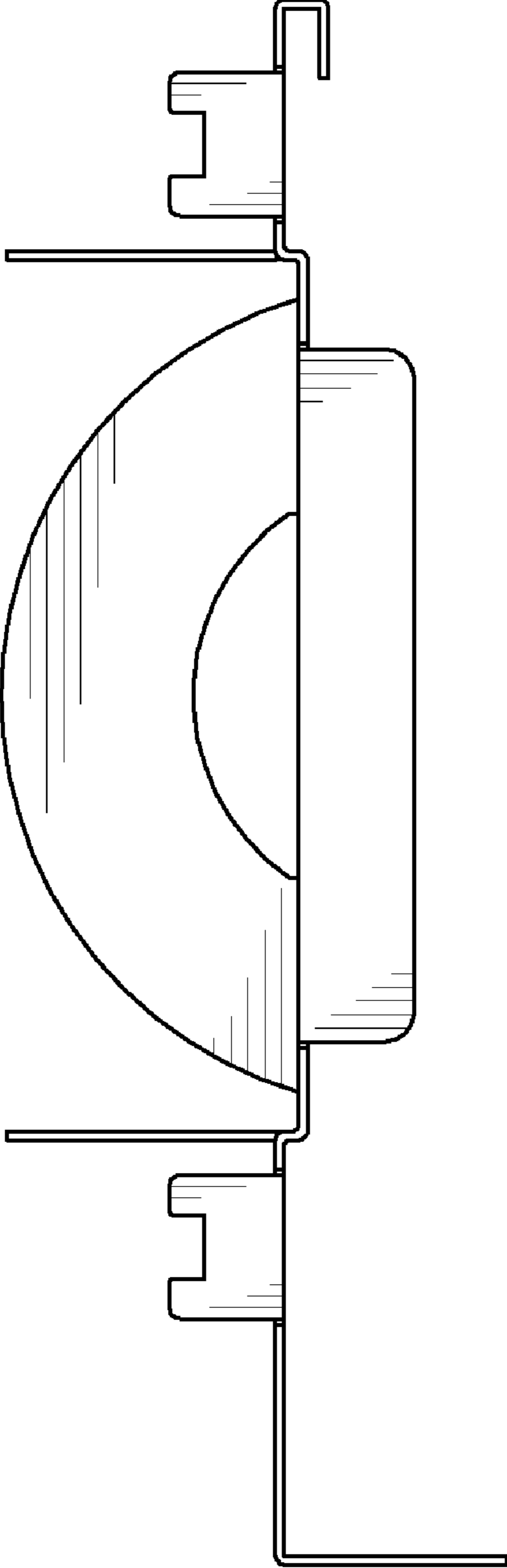


FIG. 5

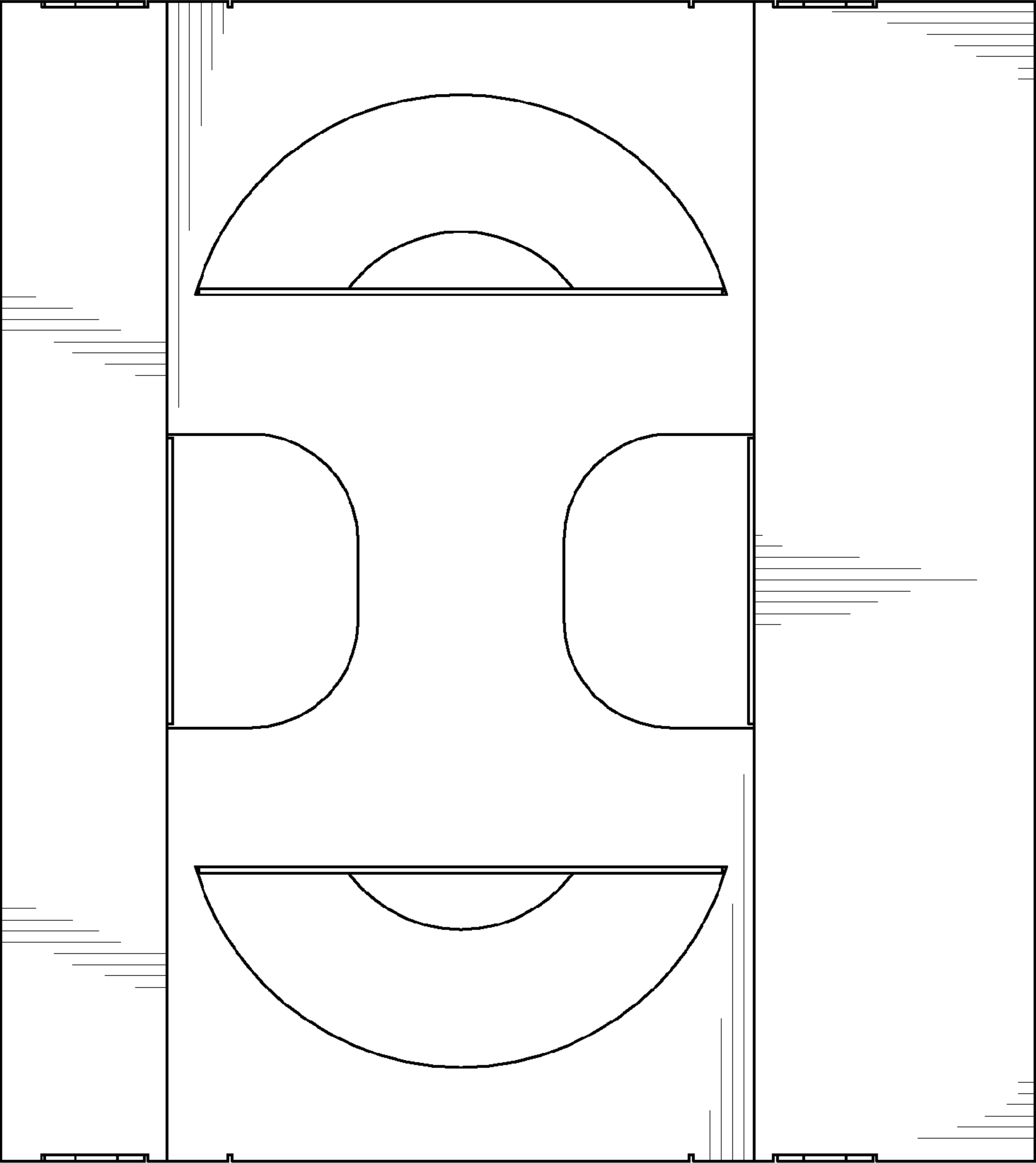


FIG. 6

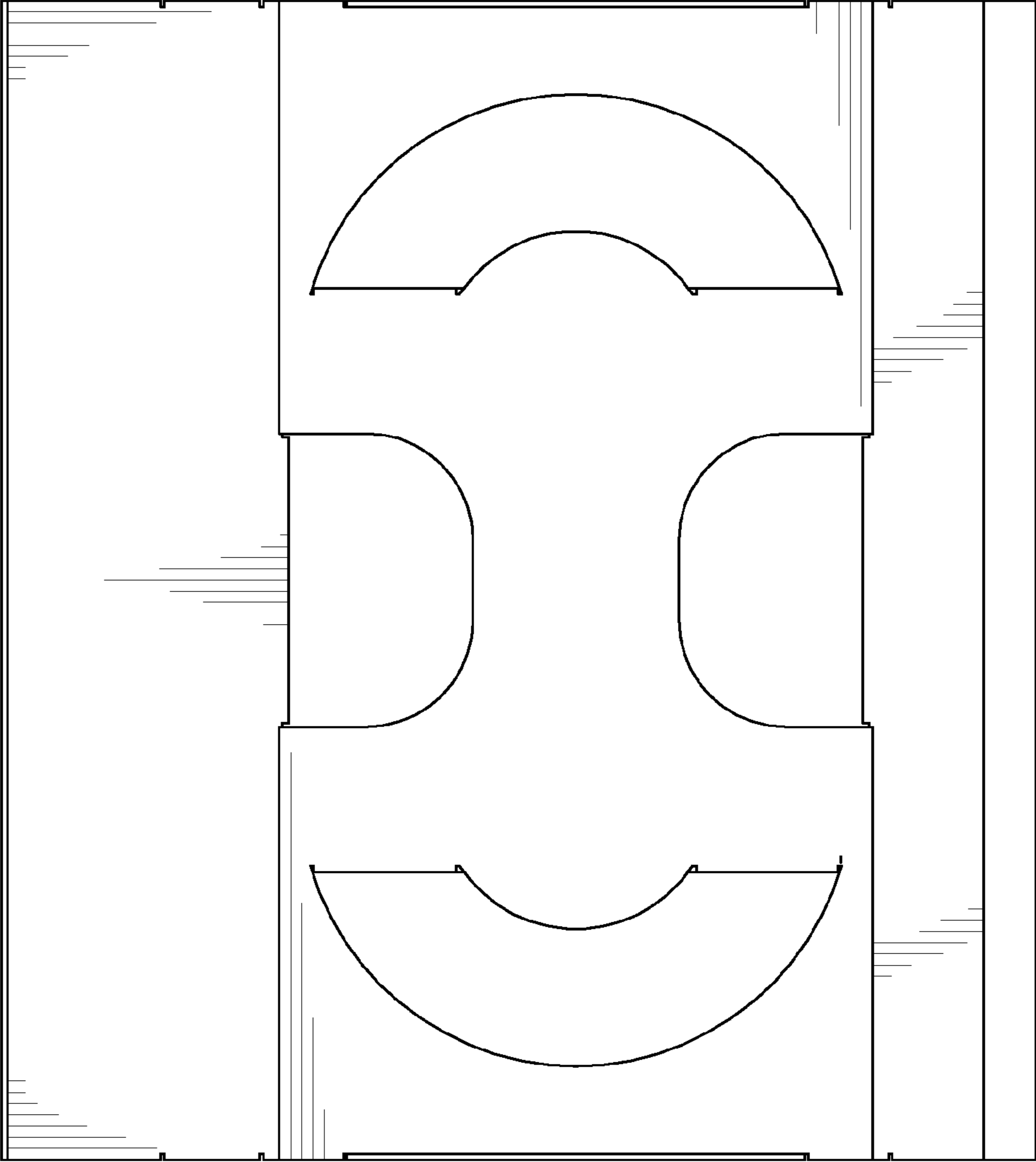


FIG. 7