



US00D623349S

(12) **United States Design Patent**
Tsai

(10) **Patent No.:** **US D623,349 S**
(45) **Date of Patent:** **** Sep. 7, 2010**

(54) **LAMP SUPPORTING DEVICE**
(75) Inventor: **Ping-Jung Tsai, Miao-Li Hsien (TW)**
(73) Assignee: **Foxsemicon Integrated Technology, Inc., Chu-Nan, Miao-Li Hsien (TW)**
(**) Term: **14 Years**
(21) Appl. No.: **29/359,438**
(22) Filed: **Apr. 12, 2010**
(30) **Foreign Application Priority Data**
Feb. 4, 2010 (TW) 99300517

6,578,808	B1 *	6/2003	Bertagni et al.	248/343
6,652,124	B2 *	11/2003	Schubert et al.	362/285
6,710,929	B2 *	3/2004	Phuly et al.	359/641
7,118,254	B2 *	10/2006	Czech	362/365
D544,128	S *	6/2007	Carro	D26/74
7,234,674	B2 *	6/2007	Rippel et al.	248/343
D565,222	S *	3/2008	Dixon	D26/63
7,478,931	B2 *	1/2009	Miletich et al.	362/364
7,484,866	B1 *	2/2009	Buse	362/366
7,540,460	B2 *	6/2009	Orth et al.	248/343
7,625,105	B1 *	12/2009	Johnson	362/364
7,658,517	B2 *	2/2010	Czech et al.	362/364
2001/0006462	A1 *	7/2001	Kotovsky et al.	362/364
2005/0230589	A1 *	10/2005	Wronski	248/323
2006/0193142	A1 *	8/2006	Dupre	362/418
2007/0025110	A1 *	2/2007	Langlois et al.	362/427

* cited by examiner

(51) **LOC (9) Cl.** **26-99**
(52) **U.S. Cl.** **D26/140**
(58) **Field of Classification Search** D26/28,
D26/30, 31, 118, 2, 74, 152, 38, 26, 142,
D26/123, 122, 120, 128, 131, 133, 134, 119,
D26/121, 124, 129, 138, 139, 140, 141, 61,
D26/63, 107, 67, 71, 70, 72; 362/294, 373,
362/493, 496, 509, 147, 257, 296, 317, 326,
362/331, 335, 340, 350, 364, 384, 365; D23/411;
D13/180; 40/572, 592; D20/10, 17, 42;
248/343, 323; 174/58; D8/16, 354, 355,
D8/366, 373, 380, 381, 382, 383
See application file for complete search history.

Primary Examiner—Cathron C Brooks
Assistant Examiner—Kevin K Rudzinski
(74) *Attorney, Agent, or Firm*—Raymond J. Chew

(56) **References Cited**

U.S. PATENT DOCUMENTS

3,609,338	A *	9/1971	Kripp	362/366
3,912,865	A *	10/1975	Seebinger	381/124
4,716,344	A *	12/1987	Newell et al.	315/312
5,823,664	A *	10/1998	Demshki et al.	362/366
6,082,878	A *	7/2000	Doubek et al.	362/365
6,336,613	B1 *	1/2002	Roth	248/27.1

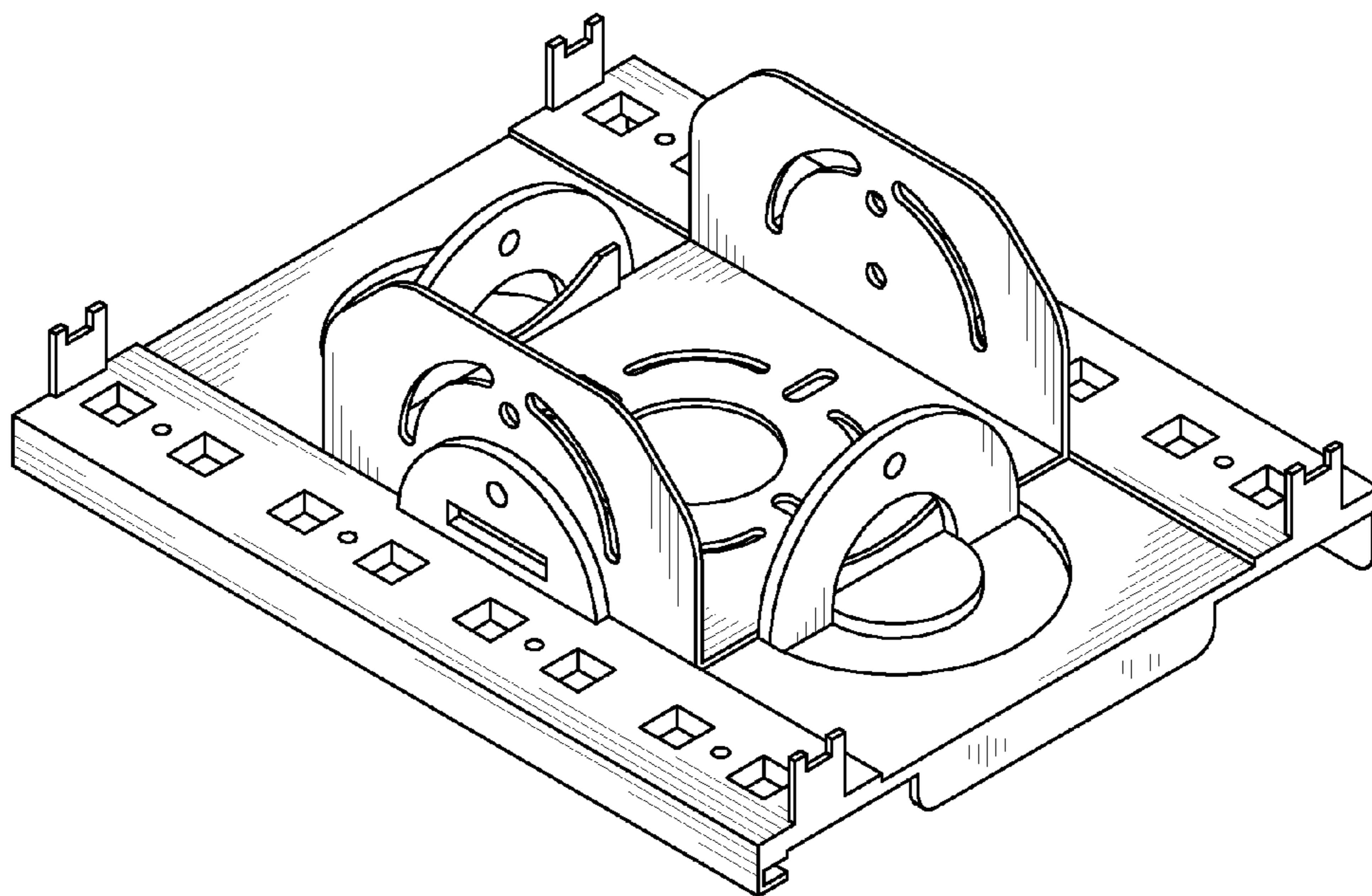
(57) **CLAIM**

The ornamental design for a lamp supporting device, as shown.

DESCRIPTION

FIG. 1 is a perspective view of a lamp supporting device showing my new design.
FIG. 2 is a front elevational view thereof.
FIG. 3 is a rear elevational view thereof.
FIG. 4 is a left-side, elevational view thereof.
FIG. 5 is a right-side, elevational view thereof.
FIG. 6 is a top plan view thereof; and,
FIG. 7 is a bottom plan view thereof.

1 Claim, 7 Drawing Sheets



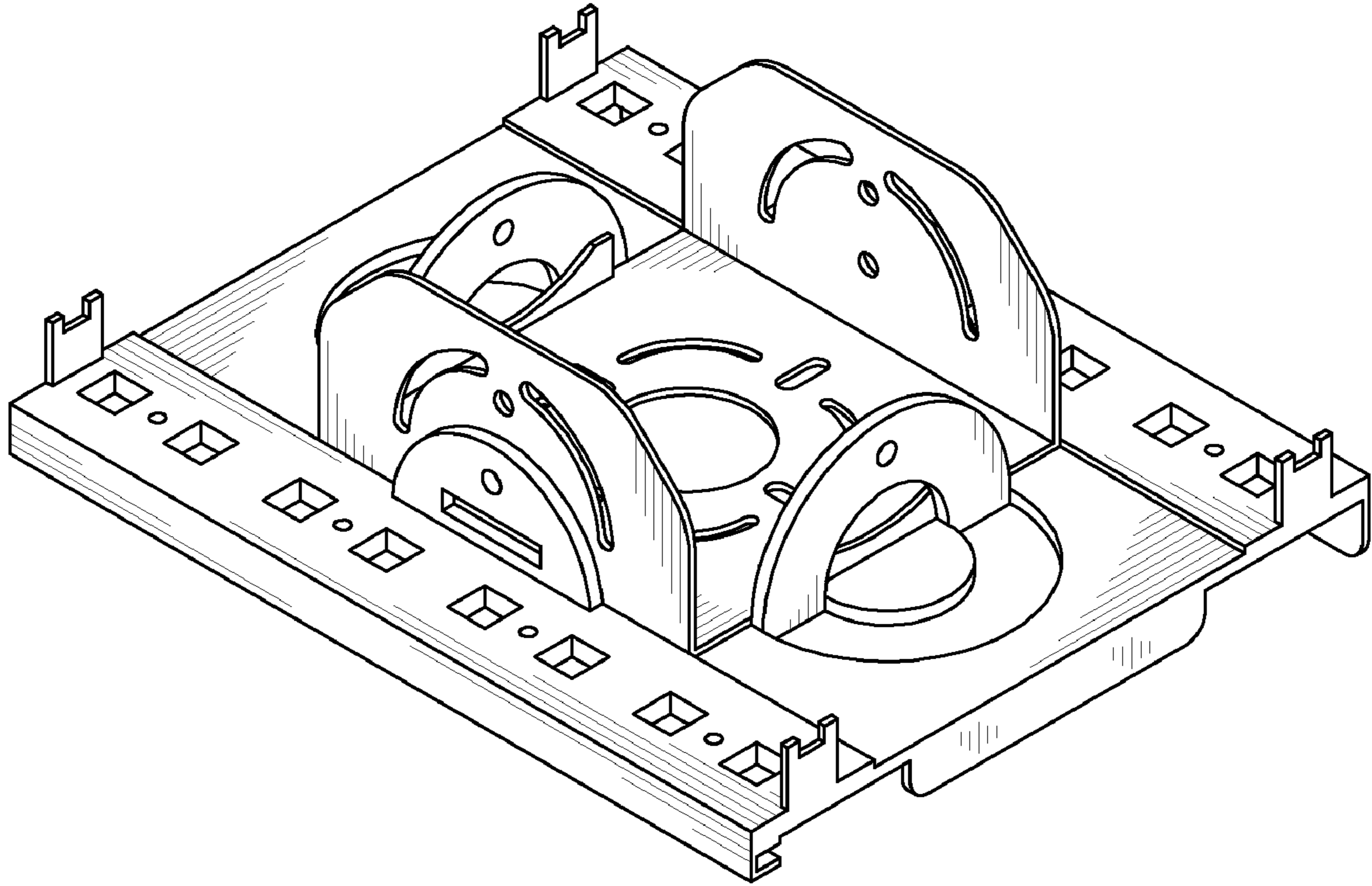


FIG. 1

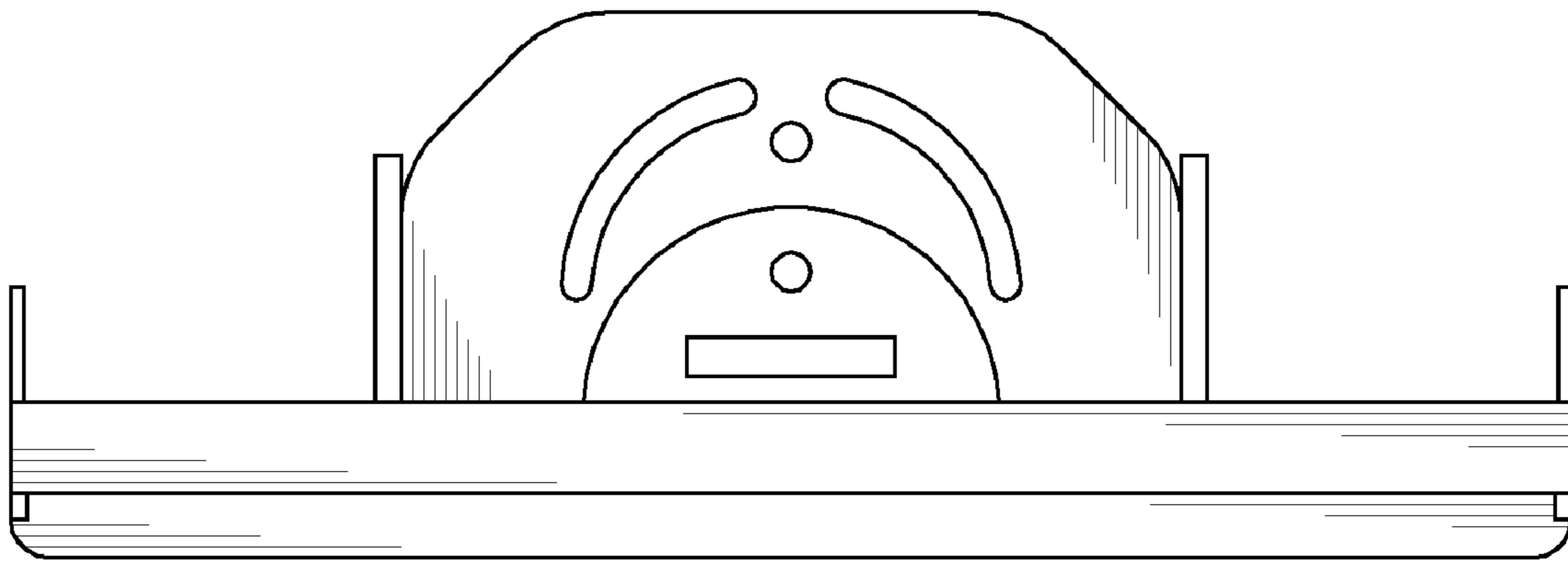


FIG. 2

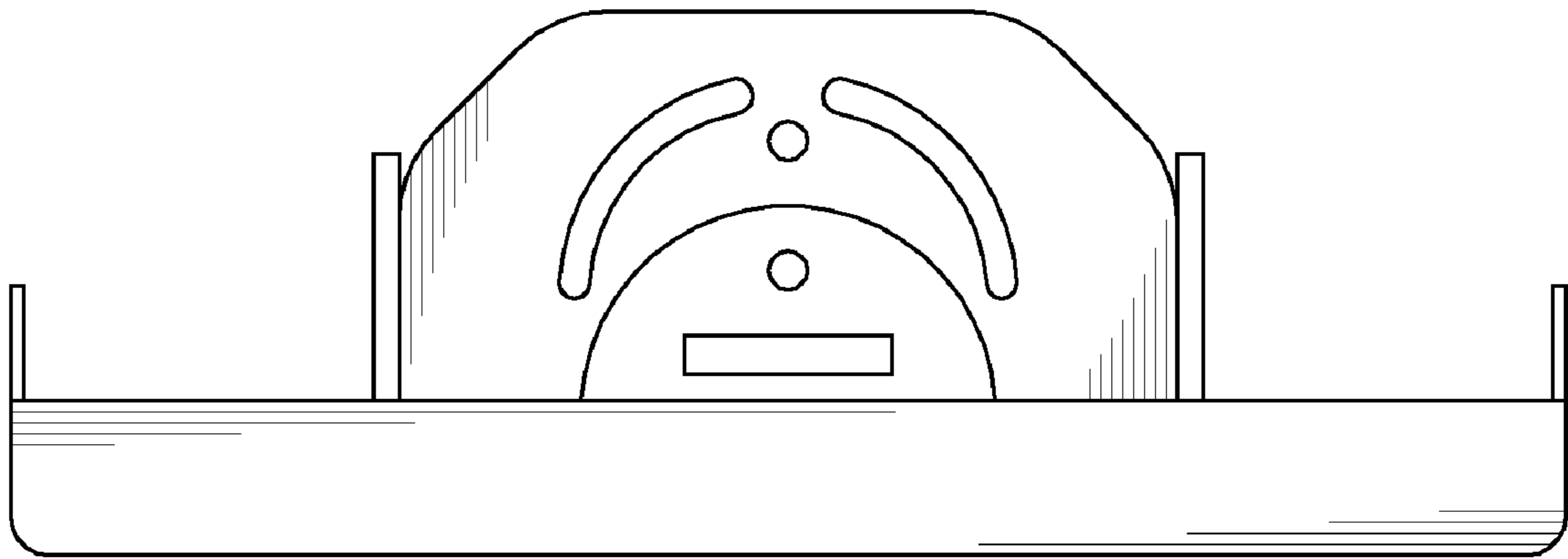


FIG. 3

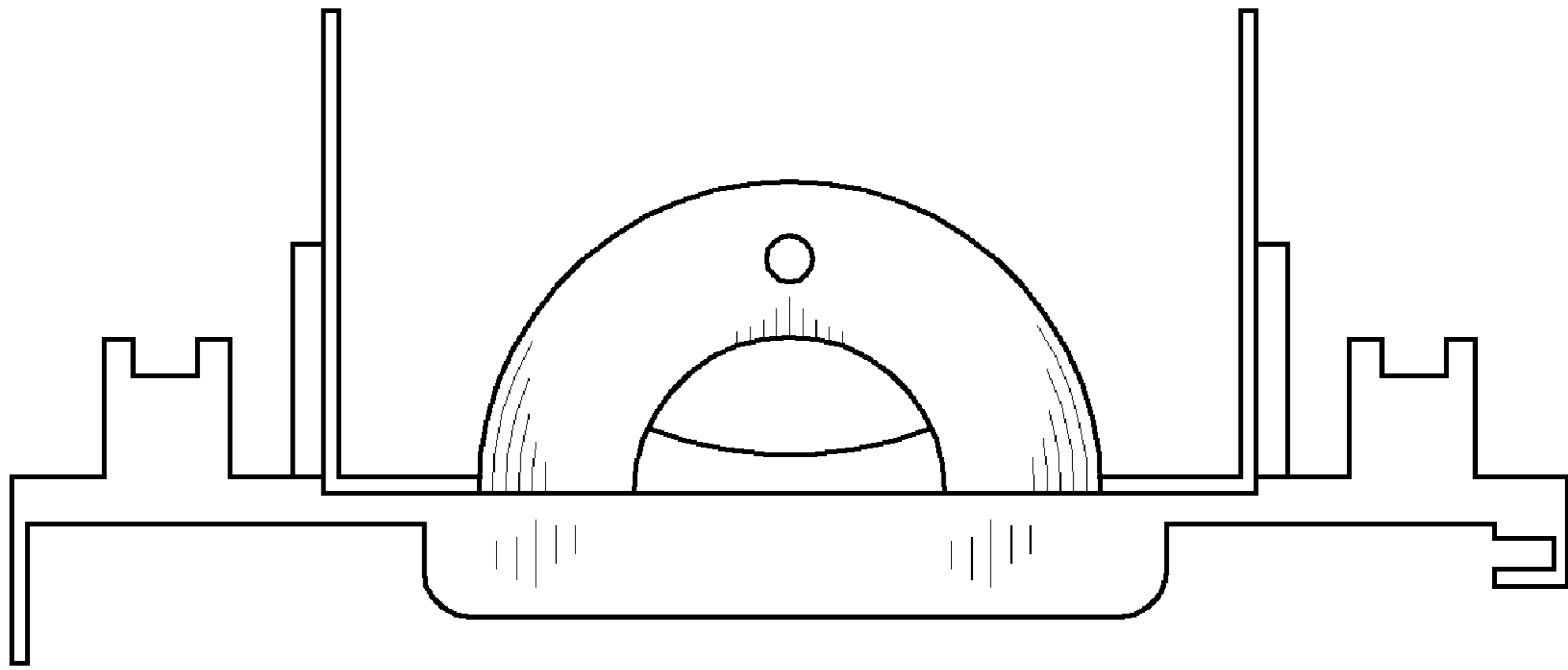


FIG. 4

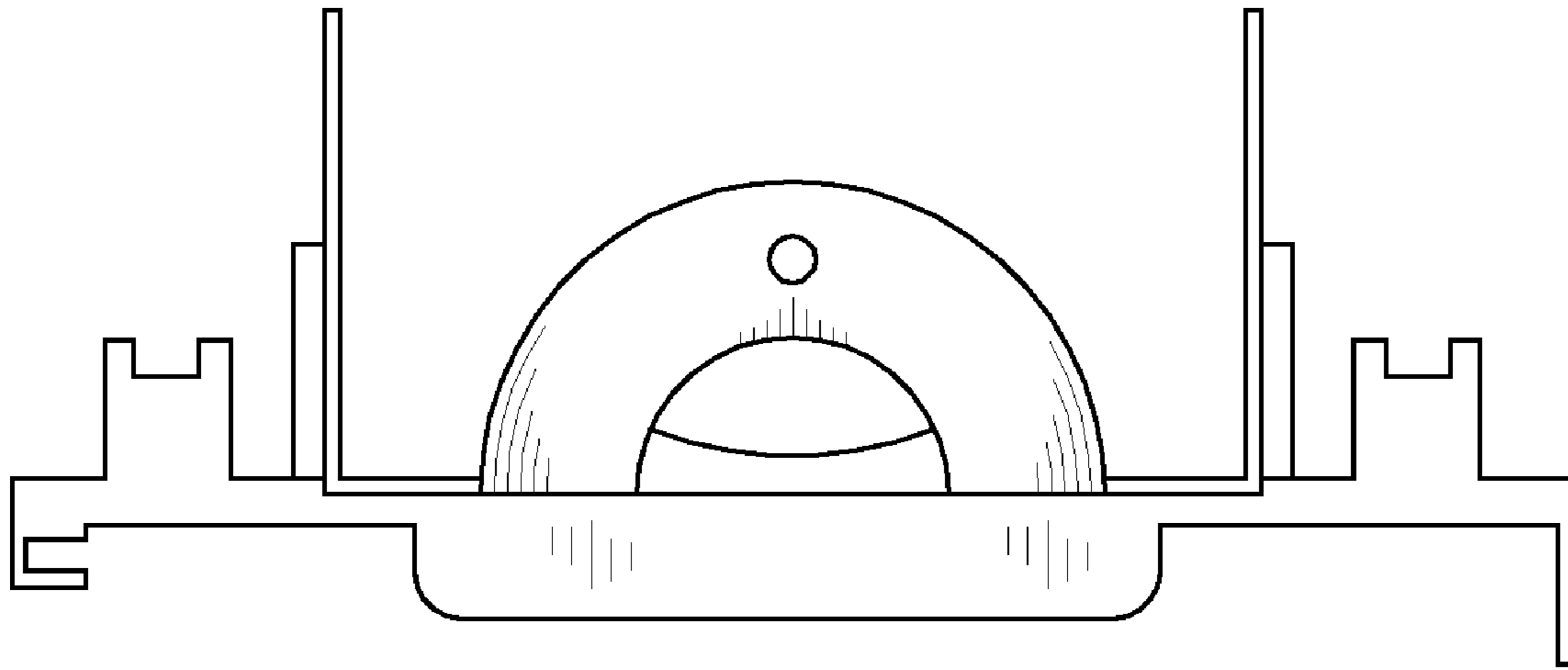


FIG. 5

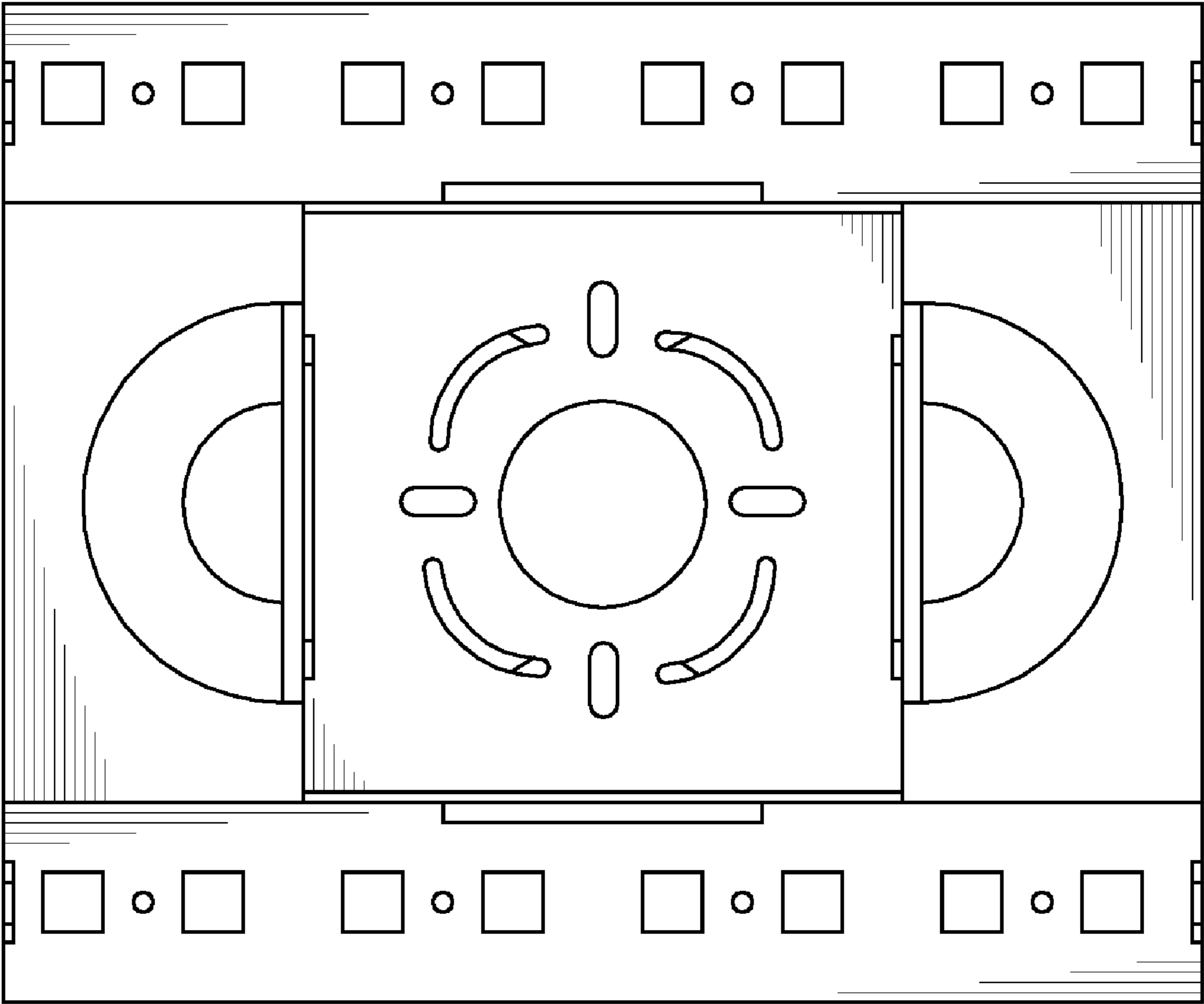


FIG. 6

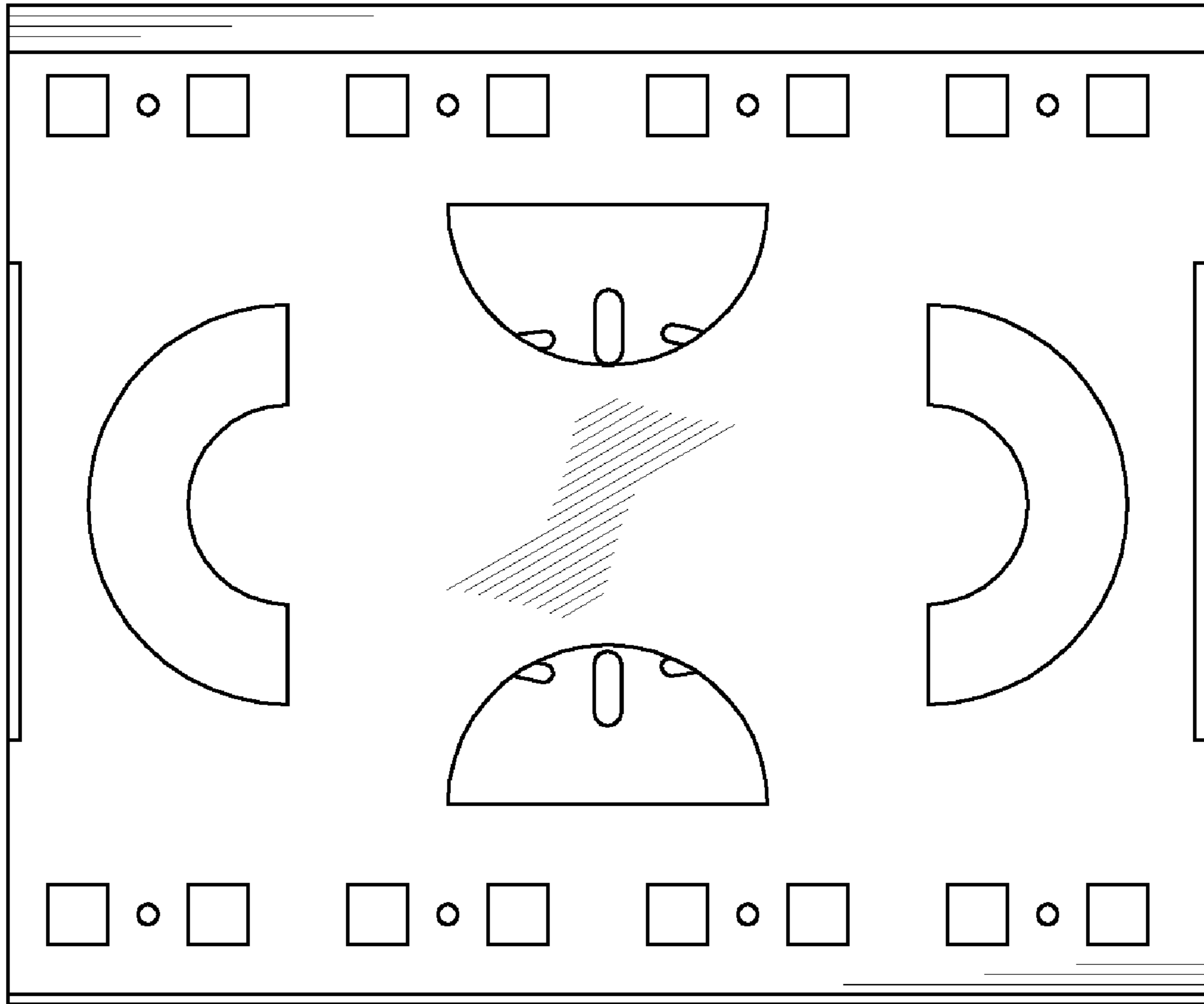


FIG. 7