



US00D623346S

(12) **United States Design Patent**  
**Tsai**

(10) **Patent No.:** **US D623,346 S**  
(45) **Date of Patent:** **\*\* Sep. 7, 2010**

- (54) **LAMP SUPPORTING DEVICE**
- (75) Inventor: **Ping-Jung Tsai, Miao-Li Hsien (TW)**
- (73) Assignee: **Foxsemicon Integrated Technology, Inc., Chu-Nan, Miao-Li Hsien (TW)**
- (\*\*) Term: **14 Years**
- (21) Appl. No.: **29/359,253**
- (22) Filed: **Apr. 7, 2010**
- (30) **Foreign Application Priority Data**  
Feb. 4, 2010 (TW) ..... 99300512
- (51) **LOC (9) Cl.** ..... **26-99**
- (52) **U.S. Cl.** ..... **D26/140**
- (58) **Field of Classification Search** ..... D26/28,  
D26/30, 31, 118, 2, 74, 152, 38, 26, 142,  
D26/123, 122, 120, 128, 131, 133, 134, 119,  
D26/121, 124, 129, 138, 139, 140, 141, 61,  
D26/63, 107, 67, 71, 70, 72; 362/294, 373,  
362/493, 496, 509, 147, 257, 296, 317, 326,  
362/331, 335, 340, 350, 364, 384, 365; D23/411;  
D13/180; 40/572, 592; D20/10, 17, 42;  
248/343, 323; 174/58; D8/16, 354, 355,  
D8/366, 373, 380, 381, 382, 383  
See application file for complete search history.

- (56) **References Cited**  
U.S. PATENT DOCUMENTS  
3,609,338 A \* 9/1971 Kripp ..... 362/366  
3,912,865 A \* 10/1975 Seebinger ..... 381/124  
4,716,344 A \* 12/1987 Newell et al. .... 315/312  
5,823,664 A \* 10/1998 Demshki et al. .... 362/366  
6,082,878 A \* 7/2000 Doubek et al. .... 362/365  
6,336,613 B1 \* 1/2002 Roth ..... 248/27.1

6,578,808	B1 *	6/2003	Bertagni et al. ....	248/343
6,652,124	B2 *	11/2003	Schubert et al. ....	362/285
6,710,929	B2 *	3/2004	Phuly et al. ....	359/641
7,118,254	B2 *	10/2006	Czech .....	362/365
D544,128	S *	6/2007	Carro .....	D26/74
7,234,674	B2 *	6/2007	Rippel et al. ....	248/343
D565,222	S *	3/2008	Dixon .....	D26/63
7,478,931	B2 *	1/2009	Miletich et al. ....	362/364
7,484,866	B1 *	2/2009	Buse .....	362/366
7,540,460	B2 *	6/2009	Orth et al. ....	248/343
7,625,105	B1 *	12/2009	Johnson .....	362/364
7,658,517	B2 *	2/2010	Czech et al. ....	362/364
2001/0006462	A1 *	7/2001	Kotovsky et al. ....	362/364
2005/0230589	A1 *	10/2005	Wronski .....	248/323
2006/0193142	A1 *	8/2006	Dupre .....	362/418
2007/0025110	A1 *	2/2007	Langlois et al. ....	362/427

\* cited by examiner  
*Primary Examiner*—Cathron C Brooks  
*Assistant Examiner*—Kevin K Rudzinski  
 (74) *Attorney, Agent, or Firm*—Raymond J. Chew

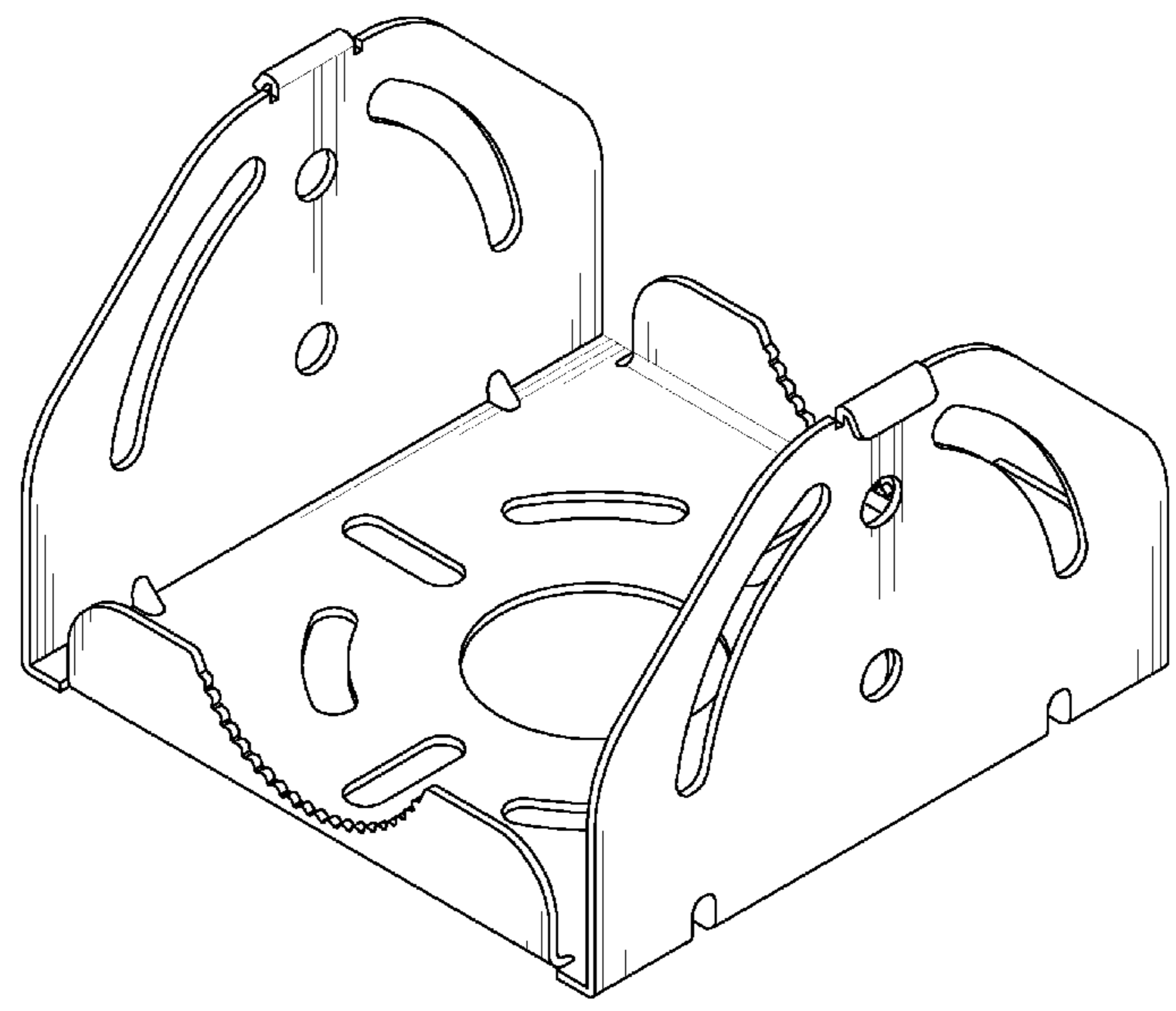
(57) **CLAIM**

The ornamental design for a lamp supporting device, as shown.

**DESCRIPTION**

FIG. 1 is a perspective view of a lamp supporting device showing my new design.  
 FIG. 2 is a front elevational view thereof.  
 FIG. 3 is a rear elevational view thereof.  
 FIG. 4 is a left-side, elevational view thereof.  
 FIG. 5 is a right-side, elevational view thereof.  
 FIG. 6 is a top plan view thereof; and,  
 FIG. 7 is a bottom plan view thereof.

**1 Claim, 7 Drawing Sheets**



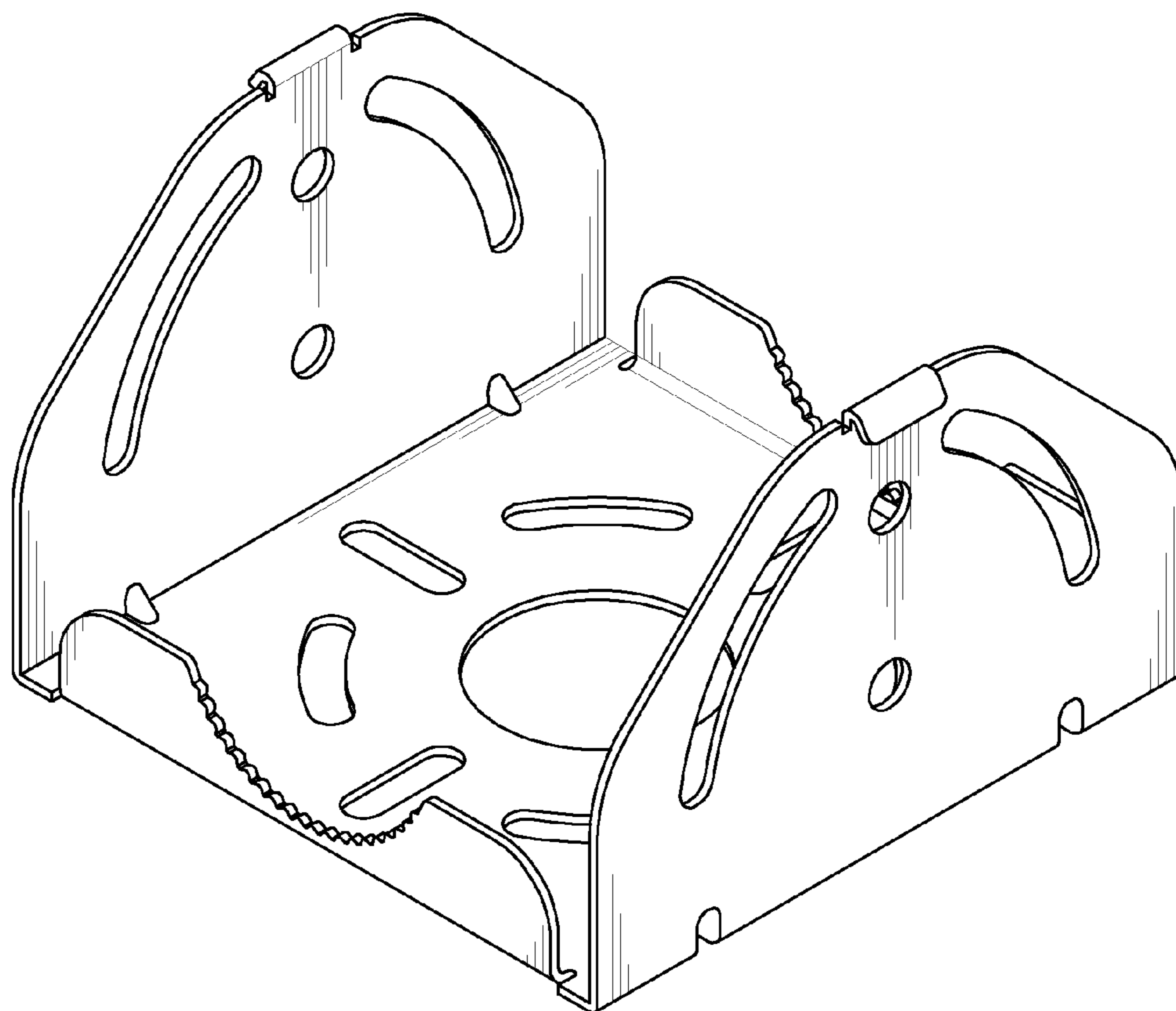


FIG. 1

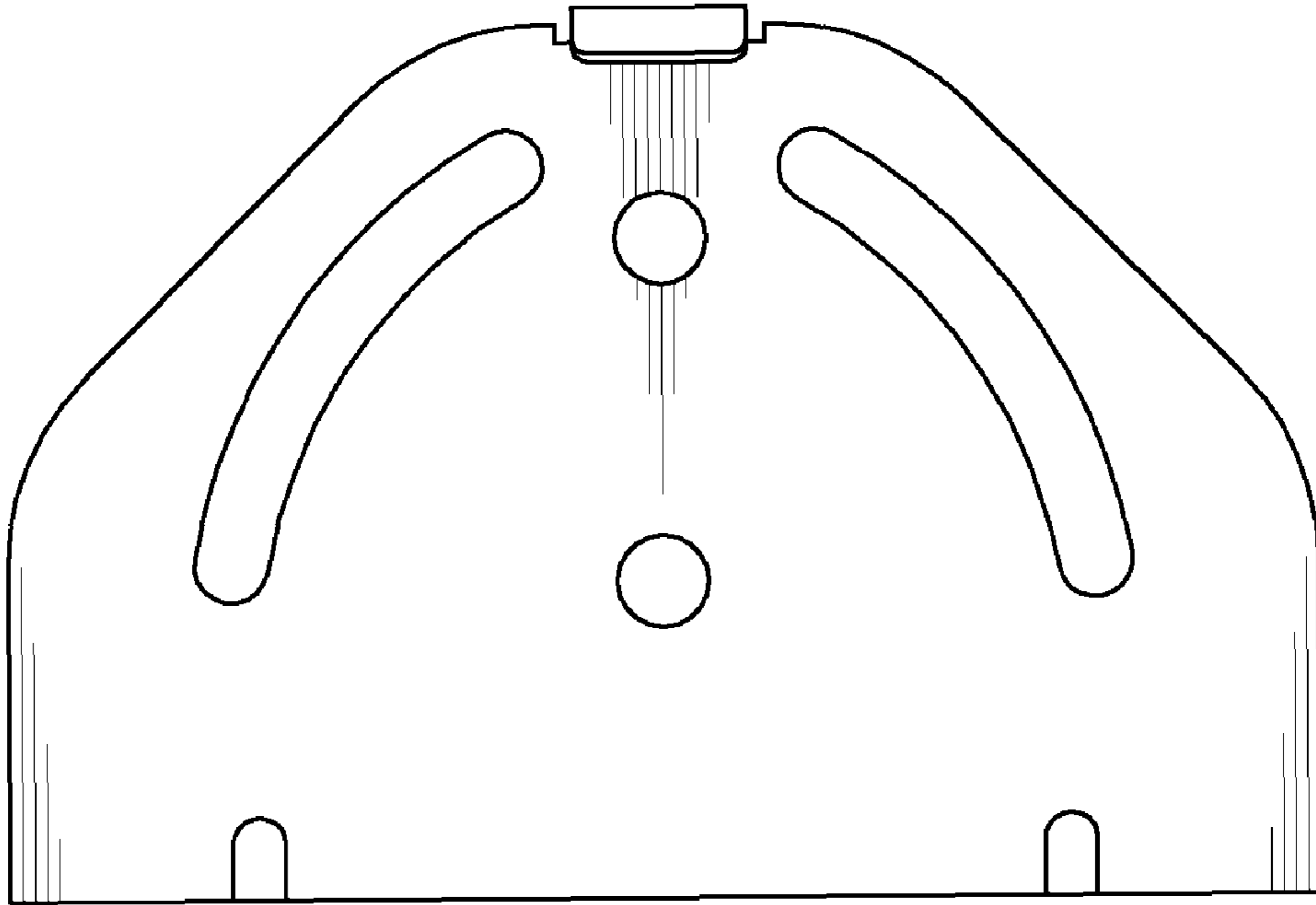


FIG. 2

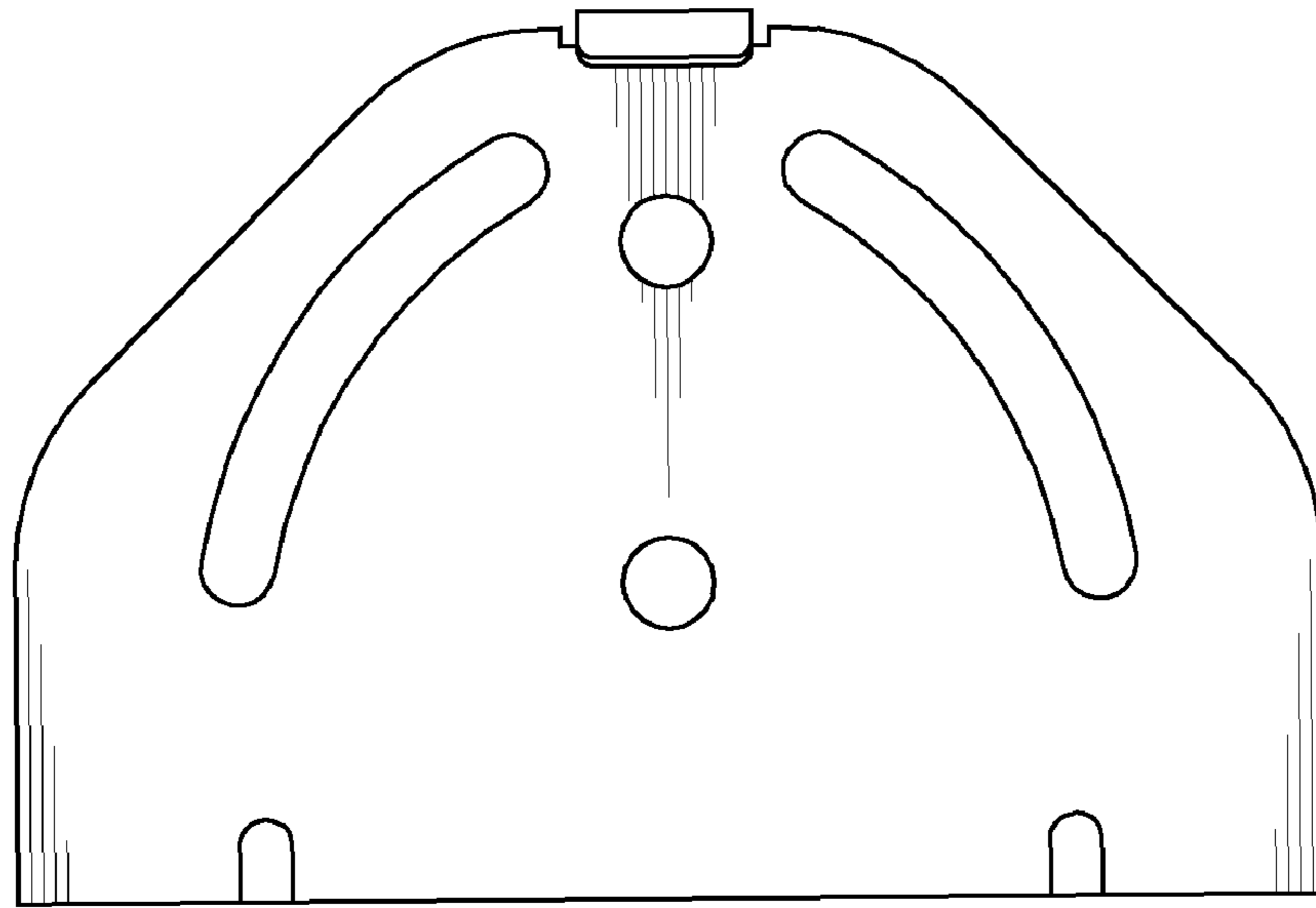


FIG. 3

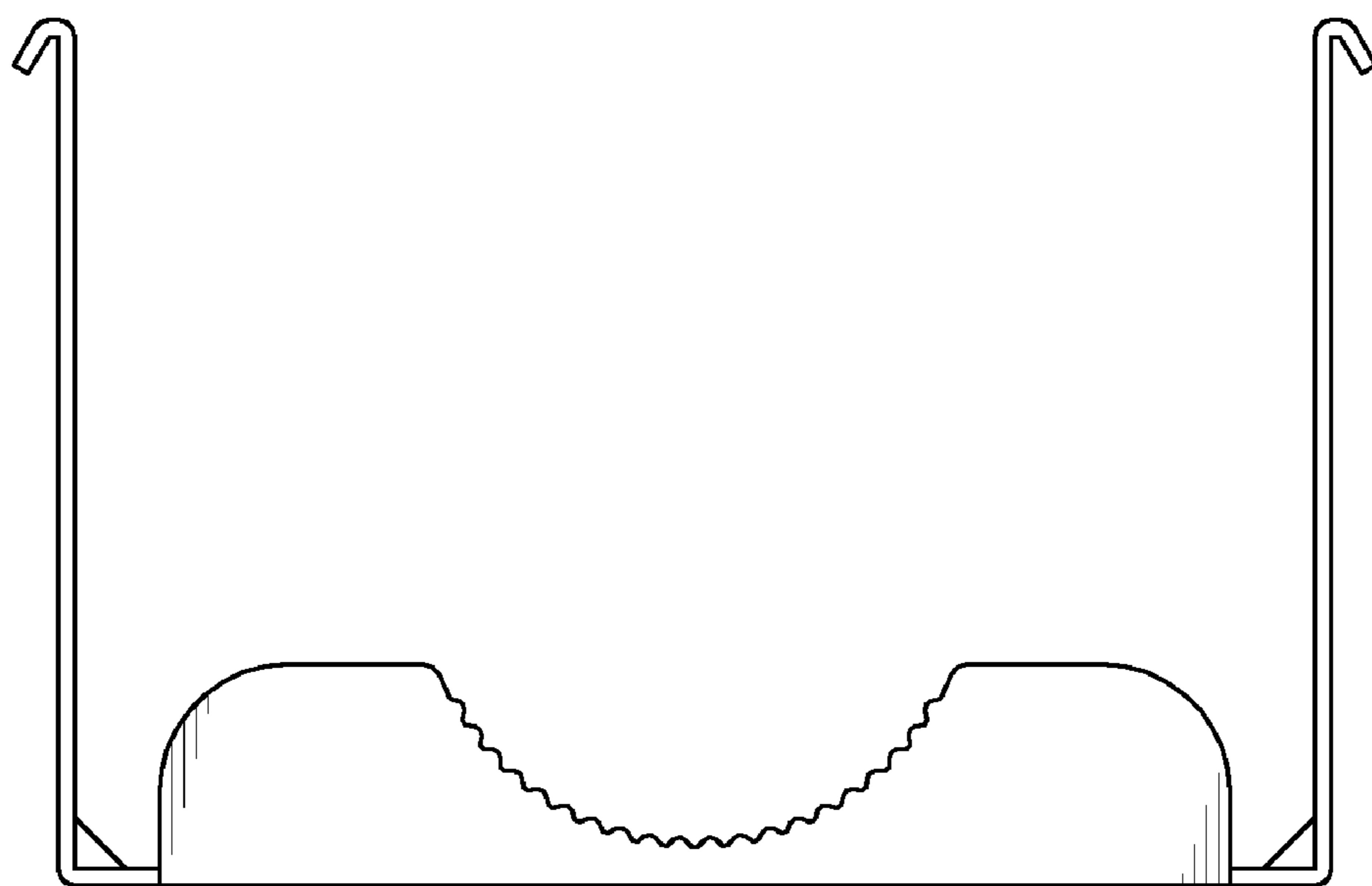


FIG. 4

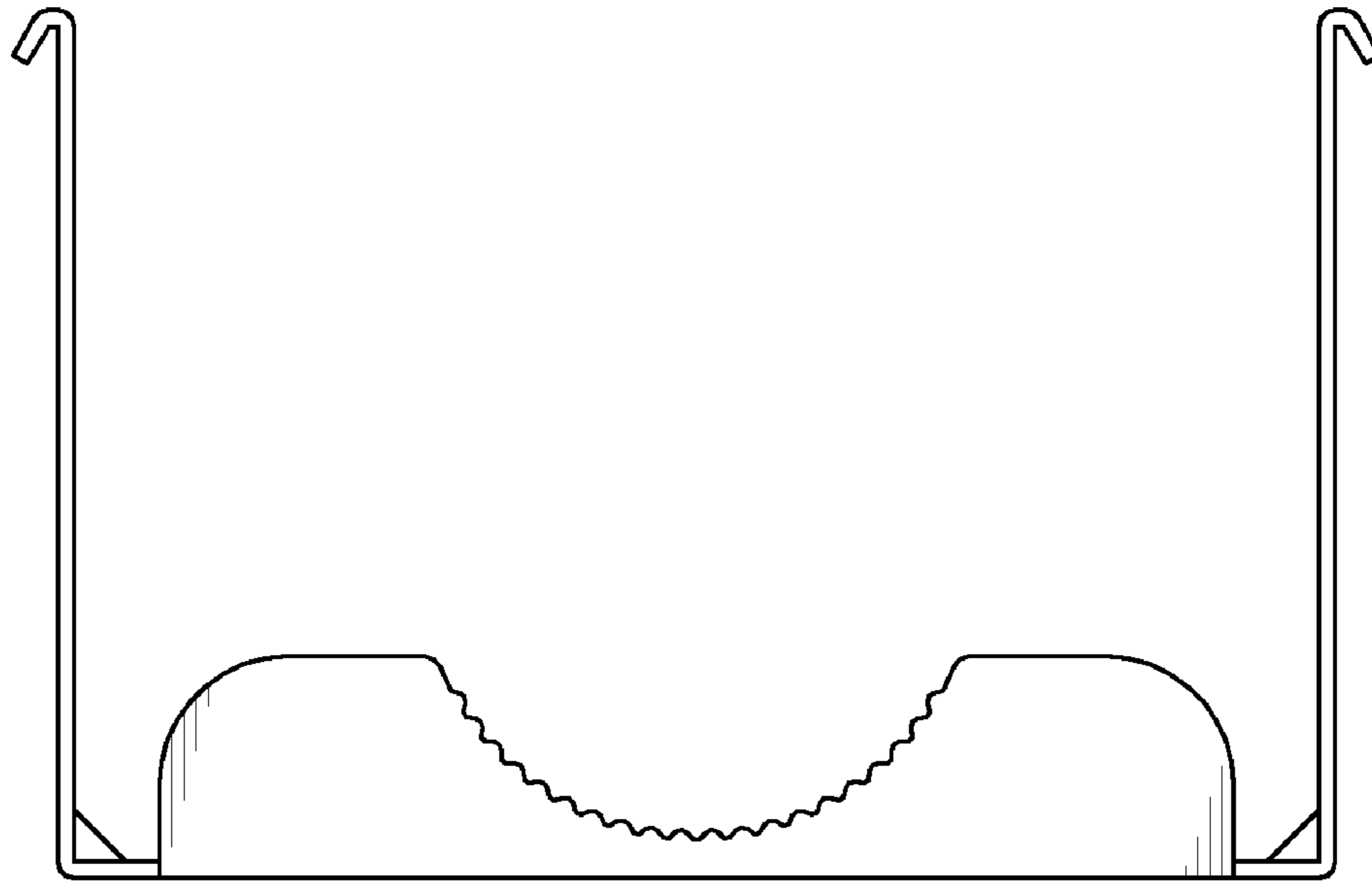


FIG. 5

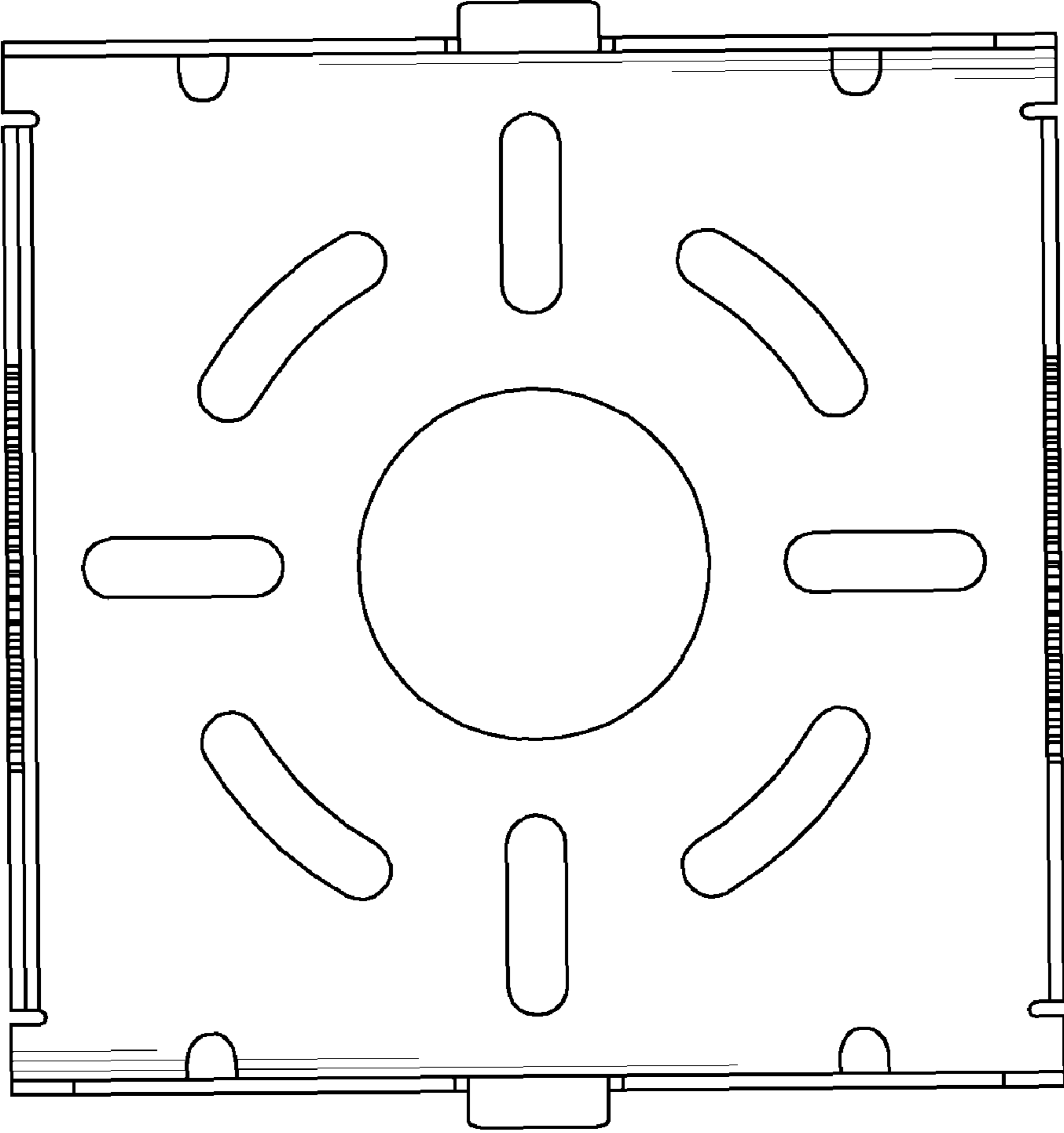


FIG. 6

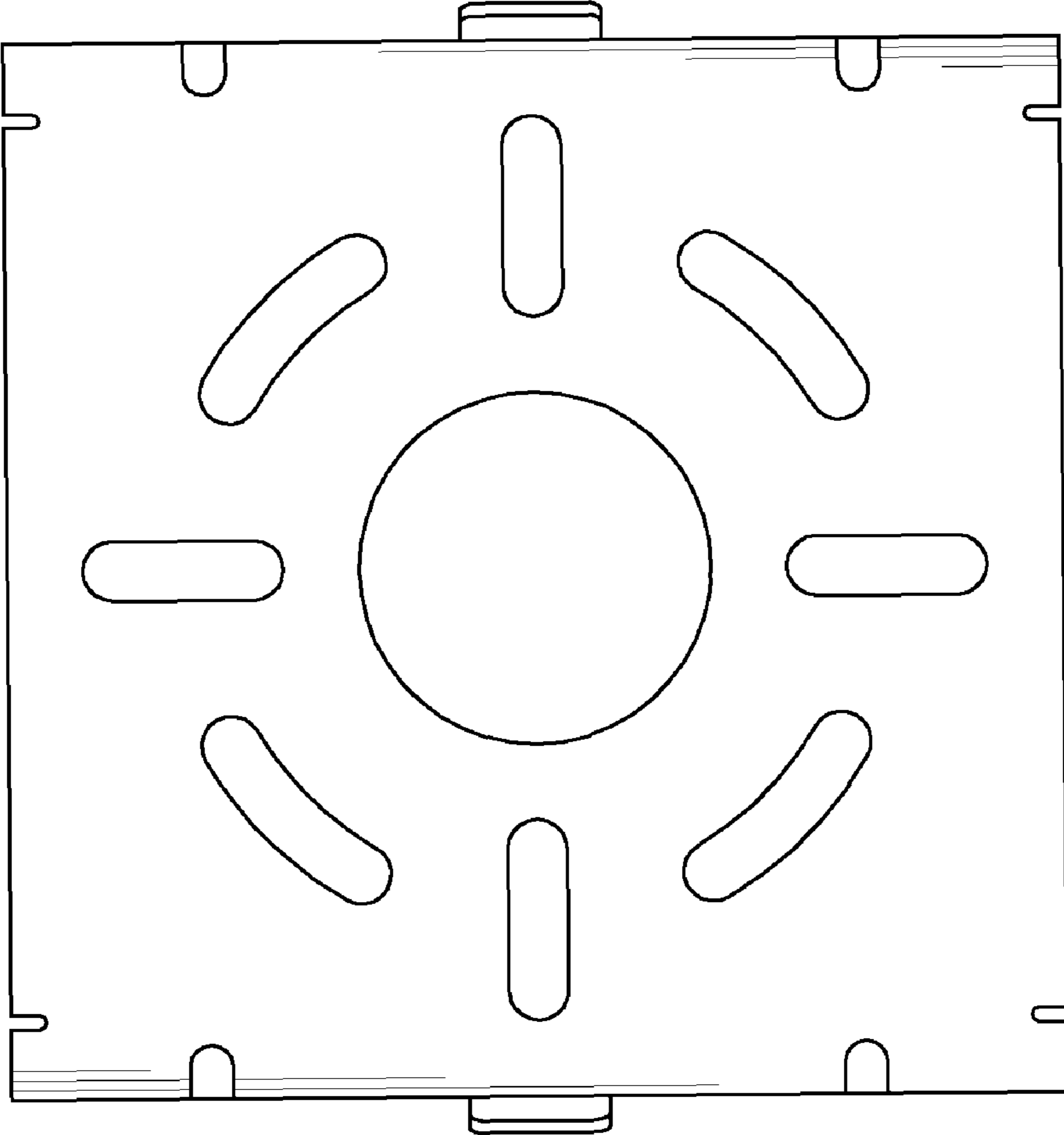


FIG. 7