



US00D623341S

(12) **United States Design Patent**
Yeh

(10) **Patent No.:** **US D623,341 S**

(45) **Date of Patent:** **** Sep. 7, 2010**

(54) **LED LAMP BASE**

(75) Inventor: **Chao-Yi Yeh**, Miao-Li Hsien (TW)

(73) Assignee: **Foxsemicon Integrated Technology, Inc.**, Chu-Nan, Miao-Li Hsien (TW)

(**) Term: **14 Years**

(21) Appl. No.: **29/357,434**

(22) Filed: **Mar. 12, 2010**

(30) **Foreign Application Priority Data**

Feb. 2, 2010 (TW) 099300466

(51) **LOC (9) Cl.** **26-99**

(52) **U.S. Cl.** **D26/128**

(58) **Field of Classification Search** D26/28,
D26/30, 31, 118, 2, 74, 152, 38, 26, 142,
D26/123, 122, 120, 128, 131, 133, 134, 119,
D26/121, 124, 129, 138, 139, 140, 141, 61,
D26/63, 107, 67, 71, 70, 72; 362/294, 373,
362/493, 496, 509, 147, 257, 296, 317, 326,
362/331, 335, 340, 350, 364, 384, 365; D23/411;
D13/180; 40/572, 592; D20/10, 17, 42;
248/343, 323; 174/58; D8/16, 354, 355,
D8/366, 373, 380, 381, 382, 383

See application file for complete search history.

(56) **References Cited**

U.S. PATENT DOCUMENTS

D324,219 S * 2/1992 Besasie D14/225

D497,439 S * 10/2004 Shaw et al. D26/2
D528,673 S * 9/2006 Maxik et al. D26/2
D538,951 S * 3/2007 Maxik et al. D26/2
D541,957 S * 5/2007 Wang D26/2
D545,457 S * 6/2007 Chen D26/2
D570,504 S * 6/2008 Maxik et al. D26/2
D581,554 S * 11/2008 To et al. D26/2
D585,589 S * 1/2009 Alexander et al. D26/118
D597,704 S * 8/2009 Peng D26/118
7,637,635 B2 * 12/2009 Xiao et al. 362/294
2008/0123341 A1 * 5/2008 Chiu 362/294
2008/0158887 A1 * 7/2008 Zhu et al. 362/294

* cited by examiner

Primary Examiner—Cathron C Brooks

Assistant Examiner—Kevin K Rudzinski

(74) *Attorney, Agent, or Firm*—Frank R. Niranjana

(57) **CLAIM**

The ornamental design for an LED lamp base, as shown.

DESCRIPTION

FIG. 1 is a perspective view of an LED lamp base showing my new design.

FIG. 2 is a front elevational view thereof.

FIG. 3 is a rear elevational view thereof.

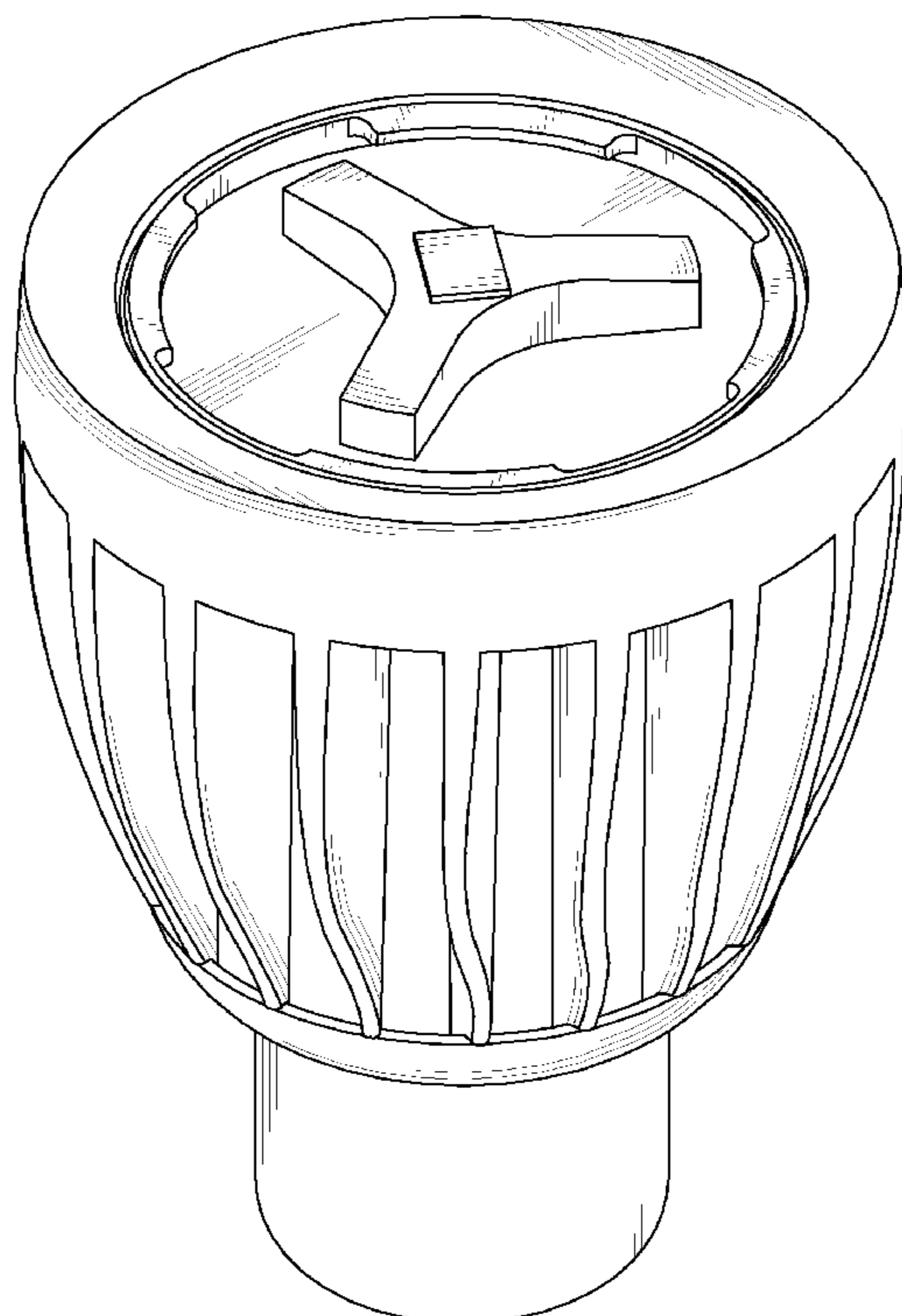
FIG. 4 is a left-side, elevational view thereof.

FIG. 5 is a right-side, elevational view thereof.

FIG. 6 is a top plan view thereof; and,

FIG. 7 is a bottom plan view thereof.

1 Claim, 7 Drawing Sheets



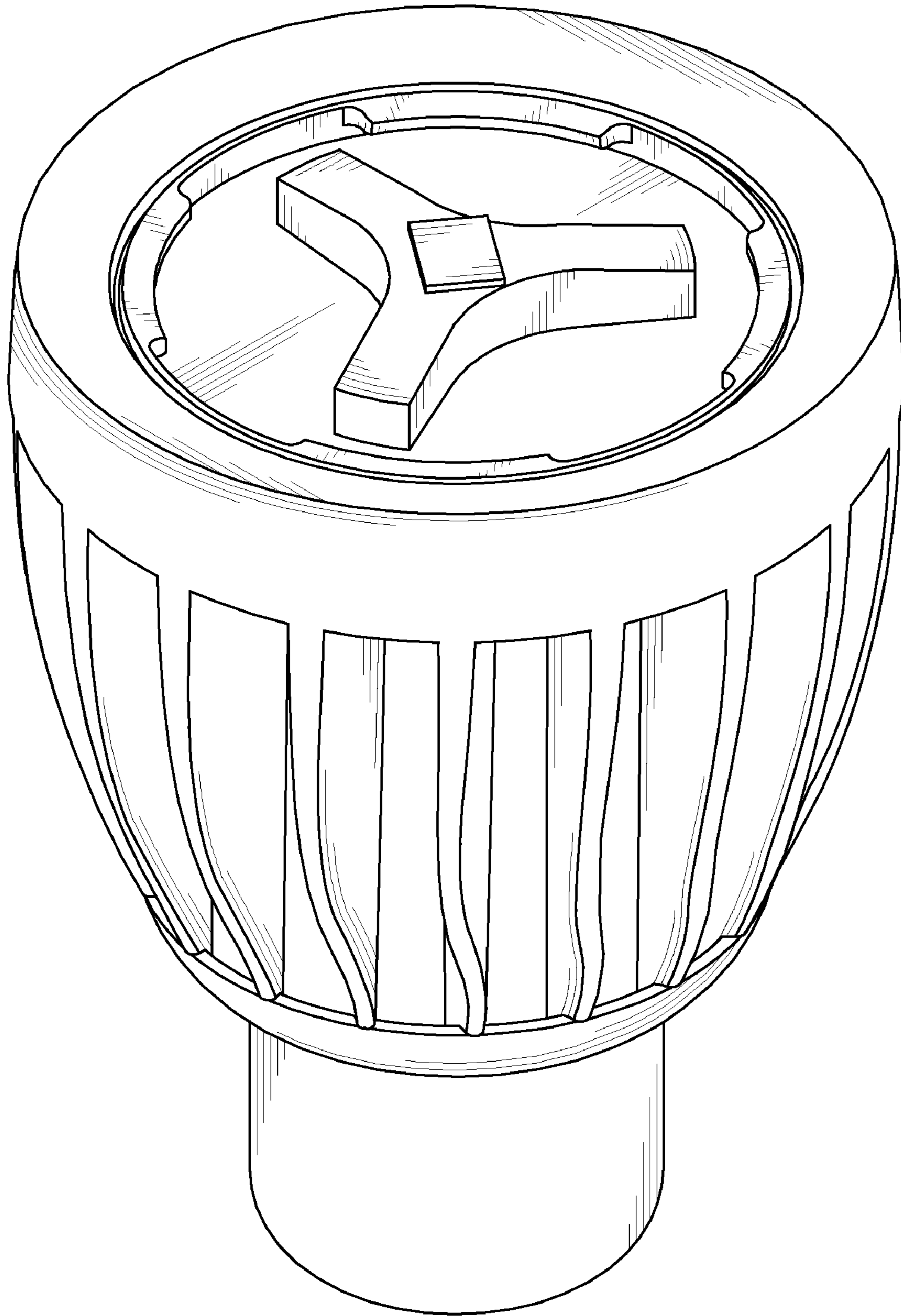


FIG. 1

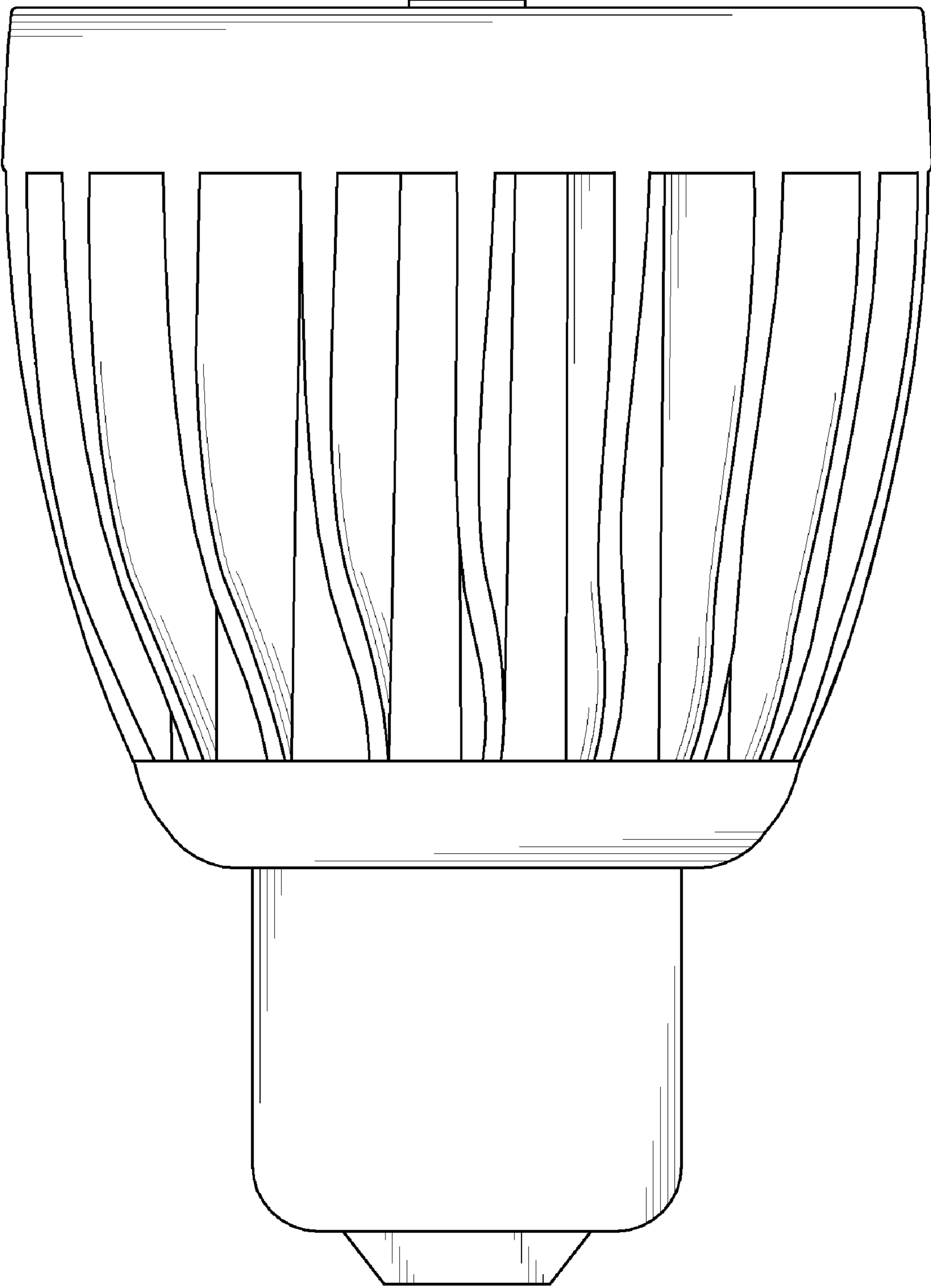


FIG. 2

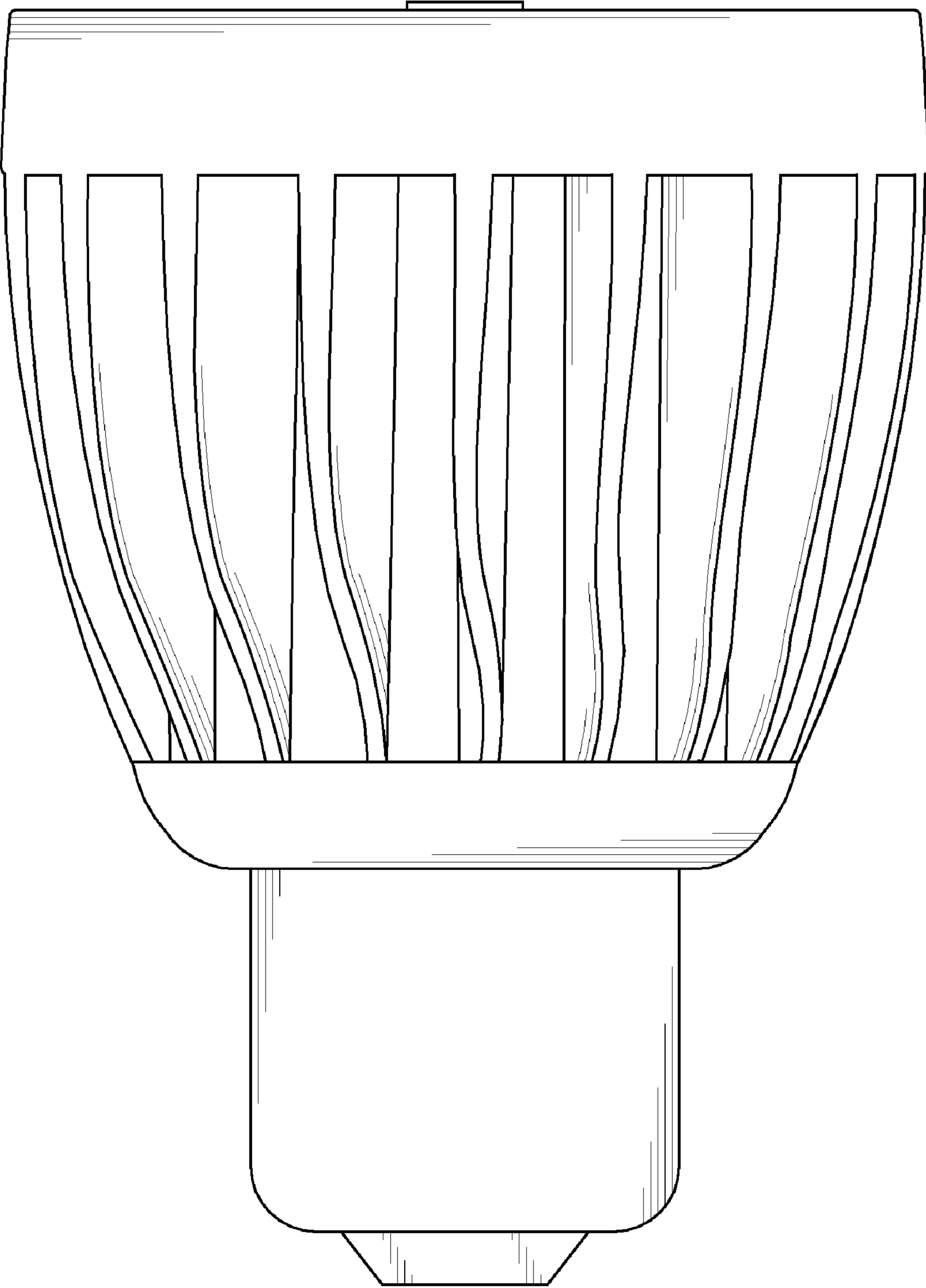


FIG. 3

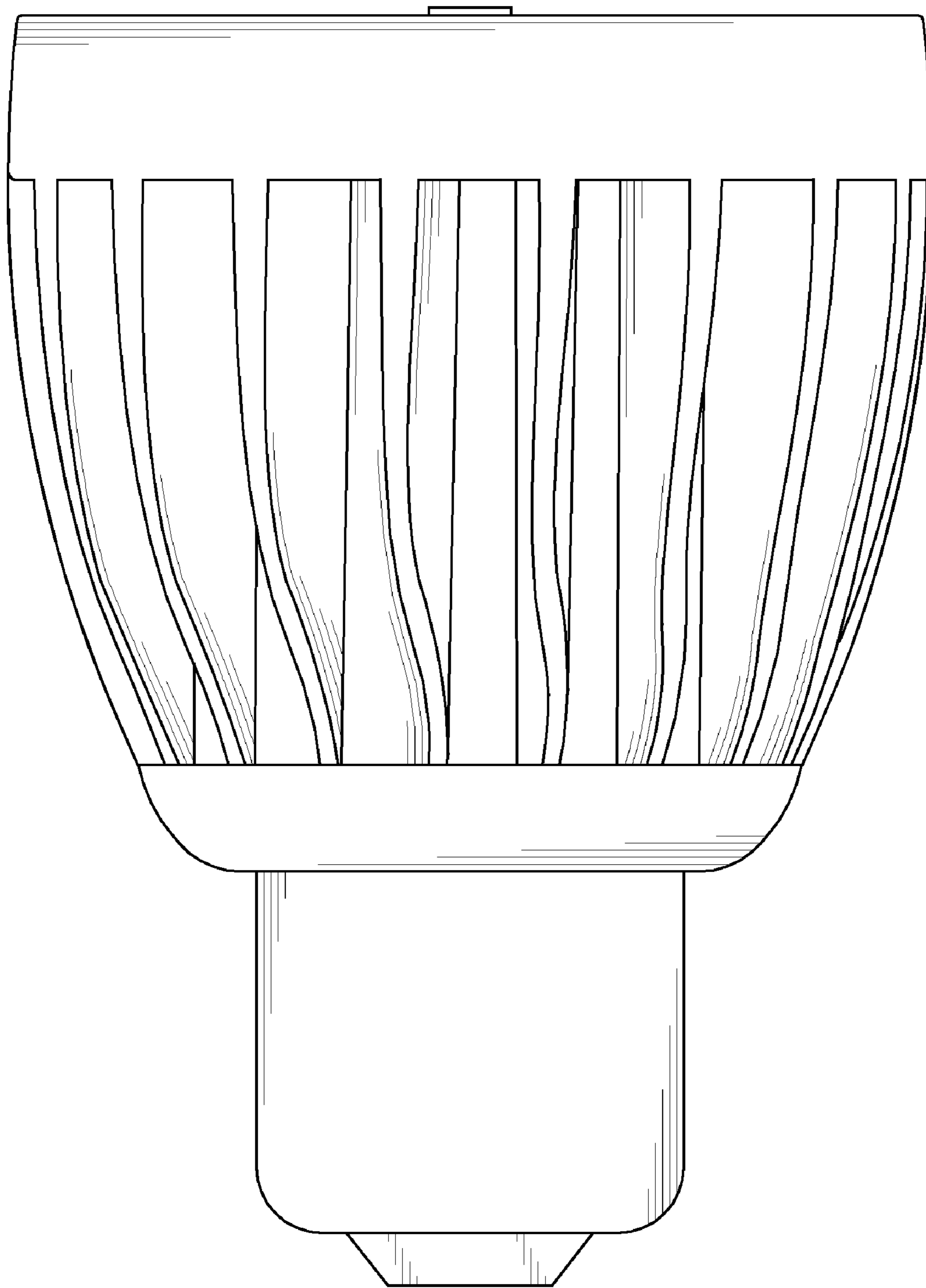


FIG. 4

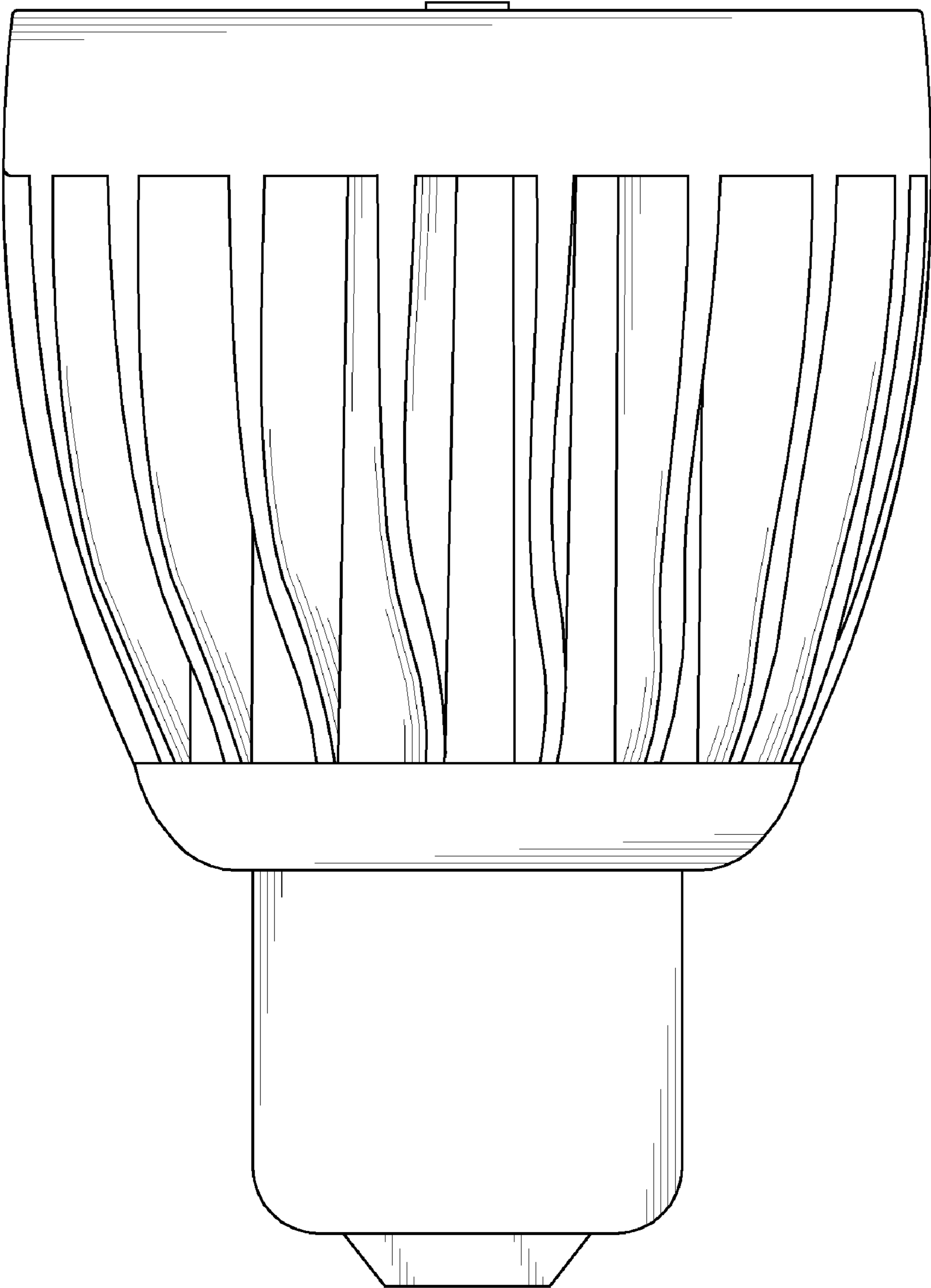


FIG. 5

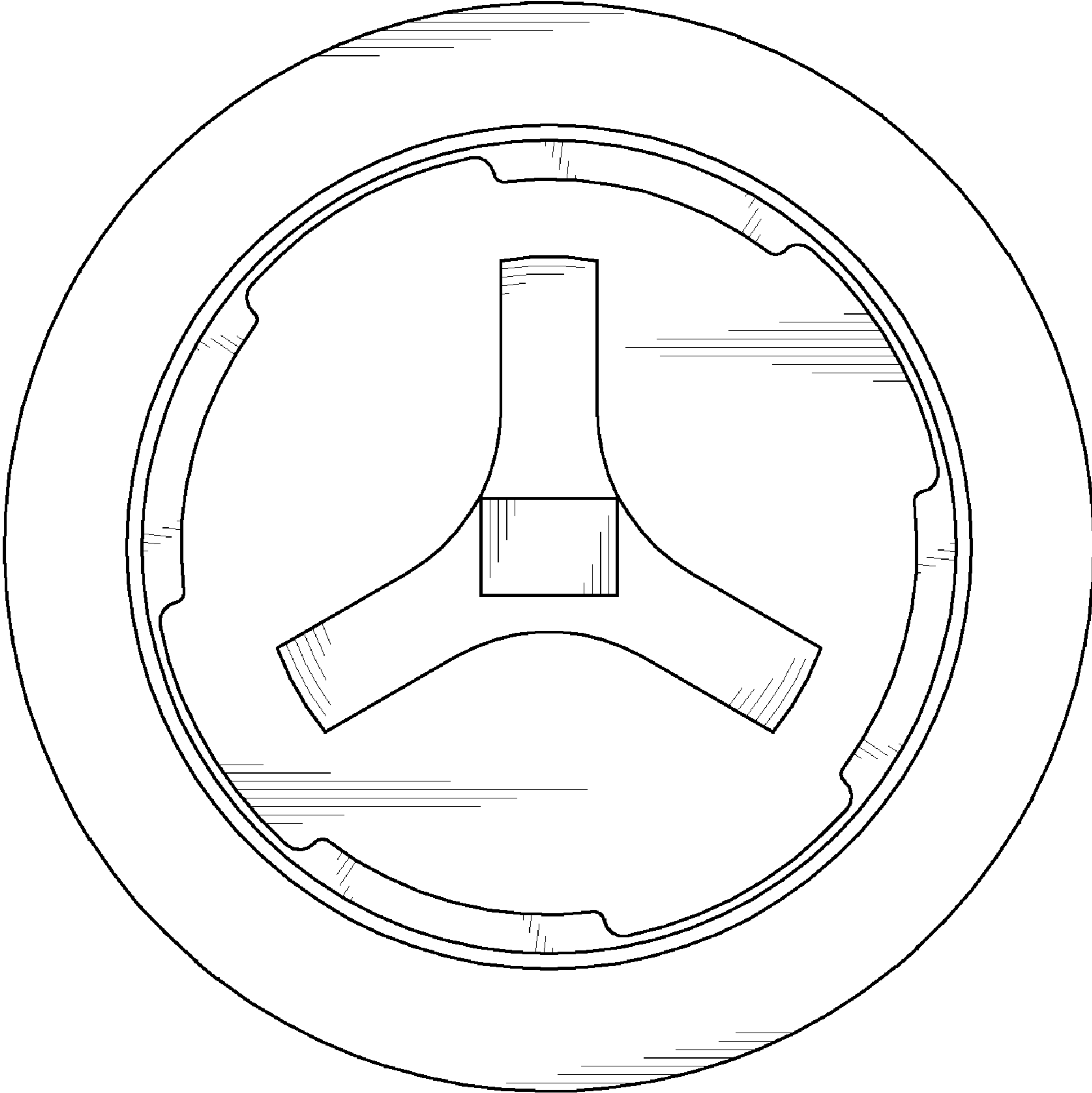


FIG. 6

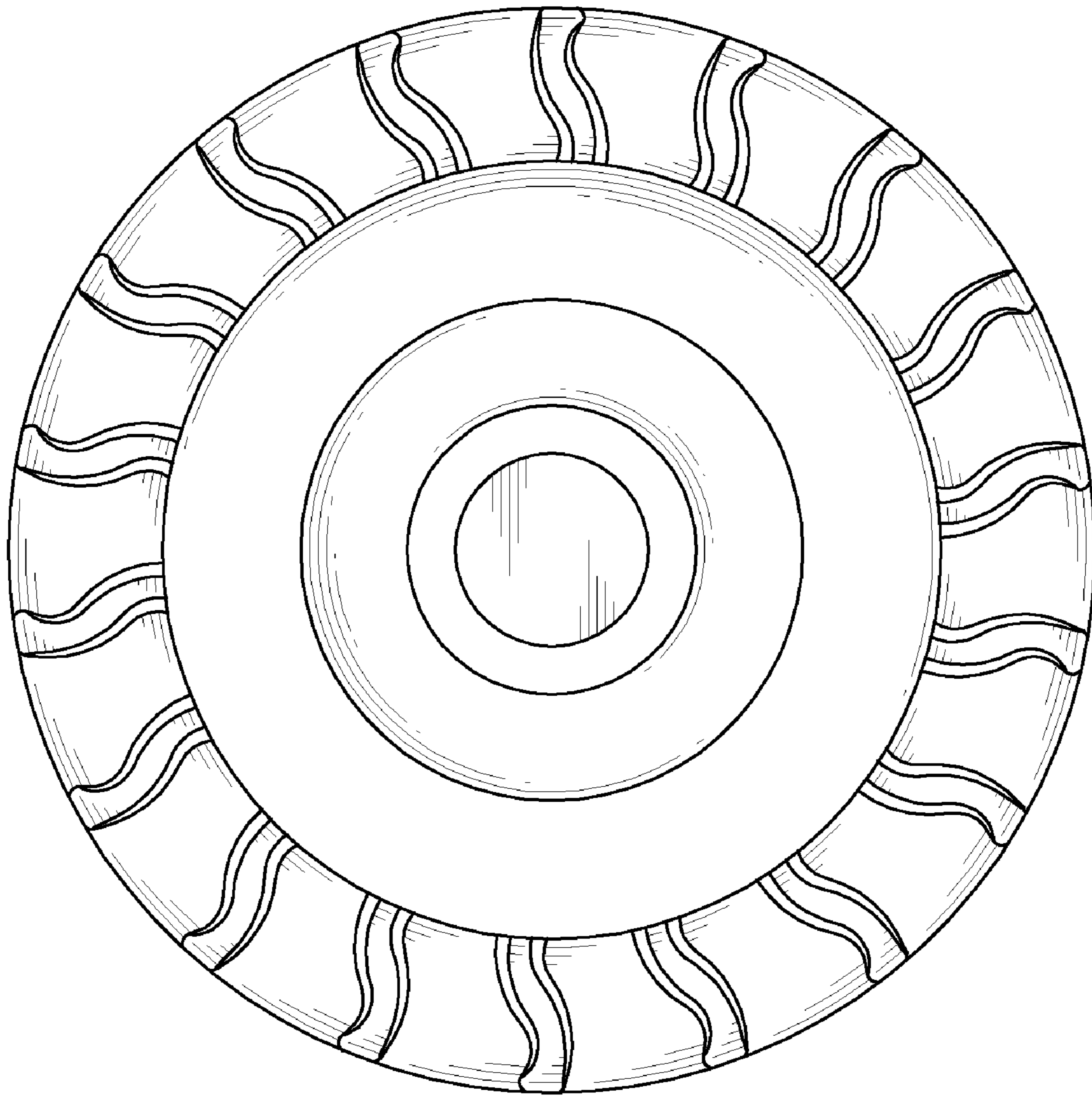


FIG. 7