



US00D623339S

(12) **United States Design Patent**
Schlabach

(10) **Patent No.:** **US D623,339 S**

(45) **Date of Patent:** **** *Sep. 7, 2010**

(54) **CORNER LIGHT FIXTURE**

(76) Inventor: **Titus Schlabach**, 4906 Harrison Rd.,
Fredricksburg, OH (US) 44627

(*) Notice: This patent is subject to a terminal disclaimer.

(**) Term: **14 Years**

(21) Appl. No.: **29/319,115**

(22) Filed: **Jun. 4, 2008**

(51) **LOC (9) Cl.** **26-03**

(52) **U.S. Cl.** **D26/85**

(58) **Field of Classification Search** D26/72,
D26/82-92; 362/147, 432

See application file for complete search history.

(56) **References Cited**

U.S. PATENT DOCUMENTS

D77,408 S *	1/1929	Hall	D26/85
D167,816 S *	9/1952	Steeber	D26/85
D170,188 S *	8/1953	Flodd	D26/85
3,178,569 A *	4/1965	Martin	362/296.05
D248,184 S *	6/1978	Roberts	D26/85
4,217,629 A *	8/1980	Russell	362/147
4,352,151 A *	9/1982	Lewis	362/368
5,057,980 A *	10/1991	Russell	362/147
D346,870 S *	5/1994	Houssian	D26/26
D364,479 S *	11/1995	Gilbert	D26/85
D398,415 S *	9/1998	Markee	D26/87
D399,014 S *	9/1998	Emmerling	D26/26

D402,074 S *	12/1998	Crosby	D26/85
D408,576 S *	4/1999	Crosby	D26/85
D415,305 S *	10/1999	Putman	D26/87
D430,327 S *	8/2000	Rockwell et al.	D26/87
D440,343 S *	4/2001	Littman	D26/87
D445,943 S *	7/2001	Littman	D26/87
6,283,616 B1 *	9/2001	Zoroufy	362/368
D469,910 S *	2/2003	St-Pierre	D26/85
D509,313 S *	9/2005	Friedman et al.	D26/71
7,055,992 B1 *	6/2006	Accornero	362/368
D541,971 S *	5/2007	Hamel et al.	D26/85

* cited by examiner

Primary Examiner—Clare E Heflin

(74) *Attorney, Agent, or Firm*—Gold & Rizvi, P.A.; Glenn E. Gold; H. John Rizvi

(57) **CLAIM**

I claim the ornamental design for a corner light fixture, as shown and described.

DESCRIPTION

FIG. 1 is a front perspective view of an installed corner light fixture;

FIG. 2 is an isometric view of an installed corner light fixture;

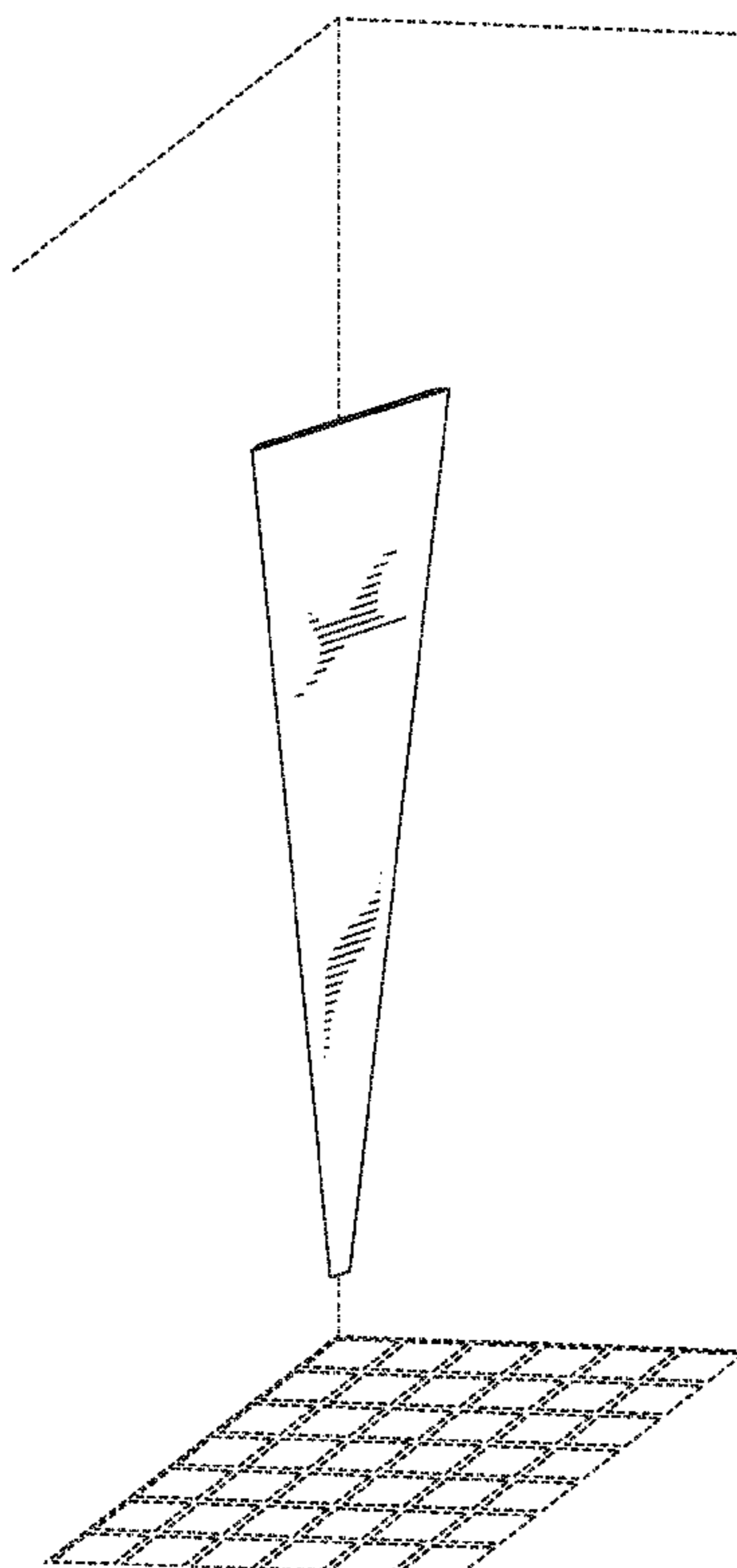
FIG. 3 is a front elevated view thereof;

FIG. 4 is a rear elevated view thereof;

FIG. 5 is a left elevated view thereof; and,

FIG. 6 is a right side elevated view thereof.

1 Claim, 5 Drawing Sheets



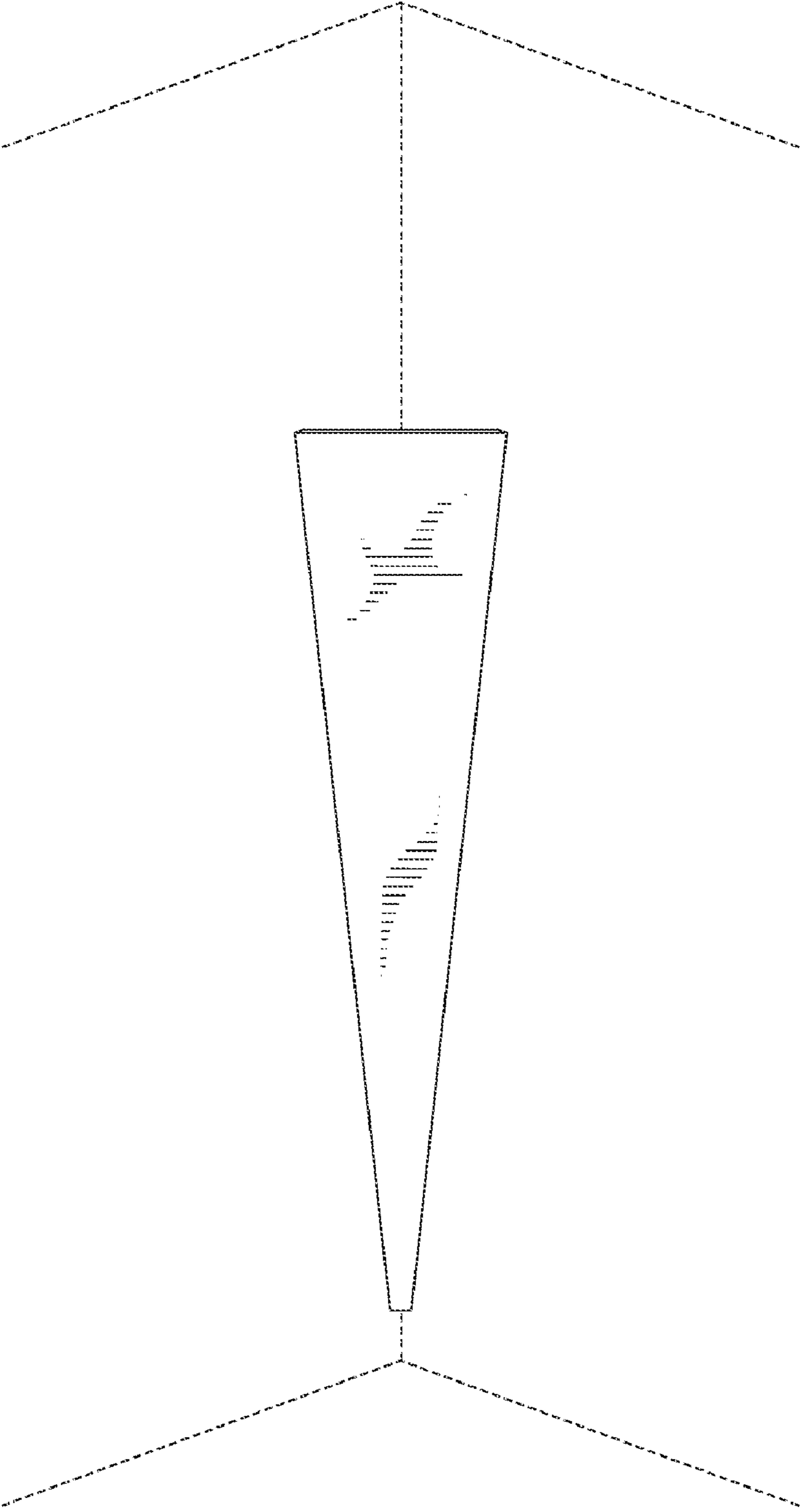


FIG. 1

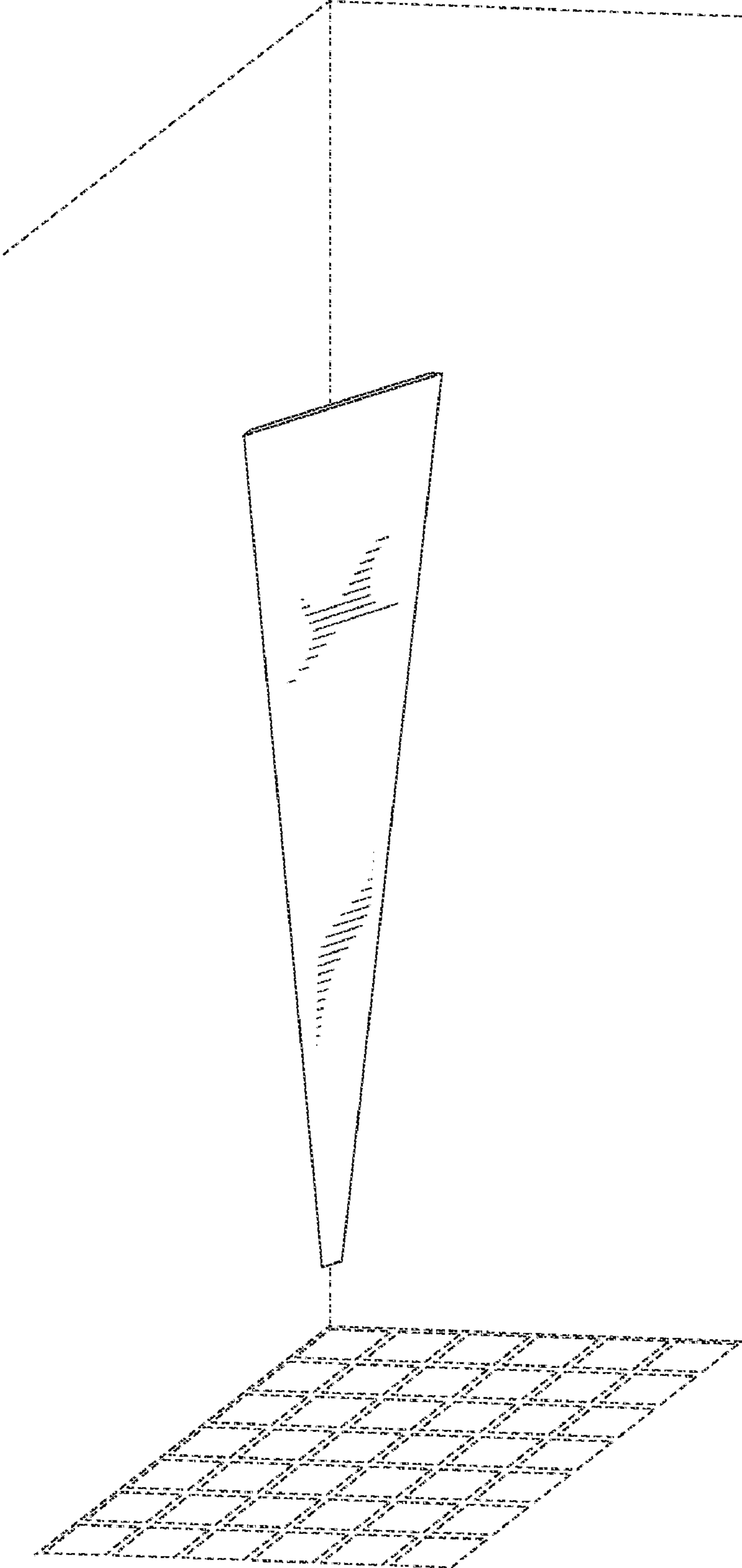


FIG. 2

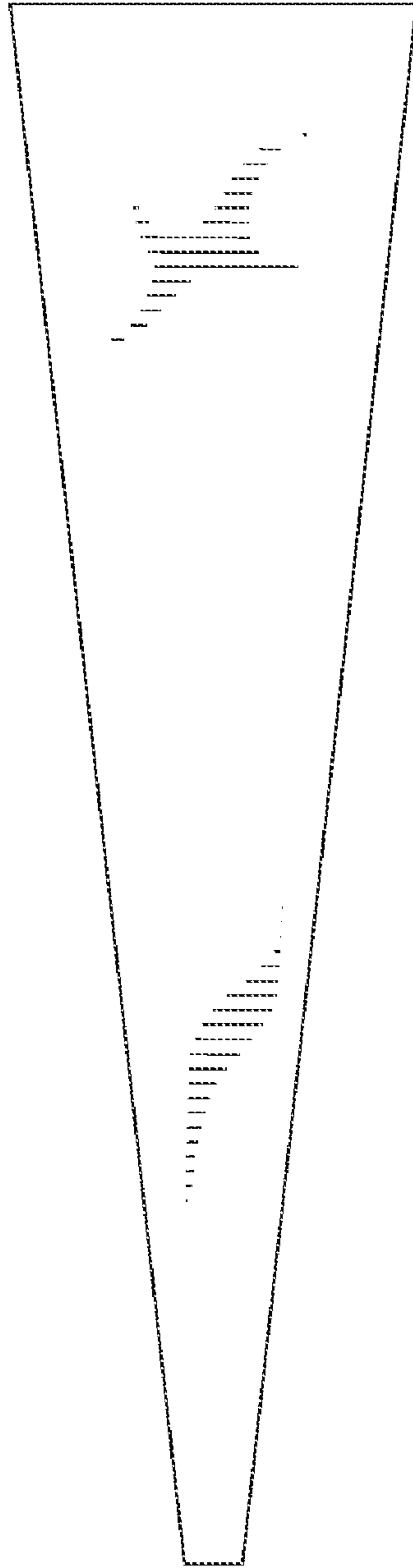


FIG. 3

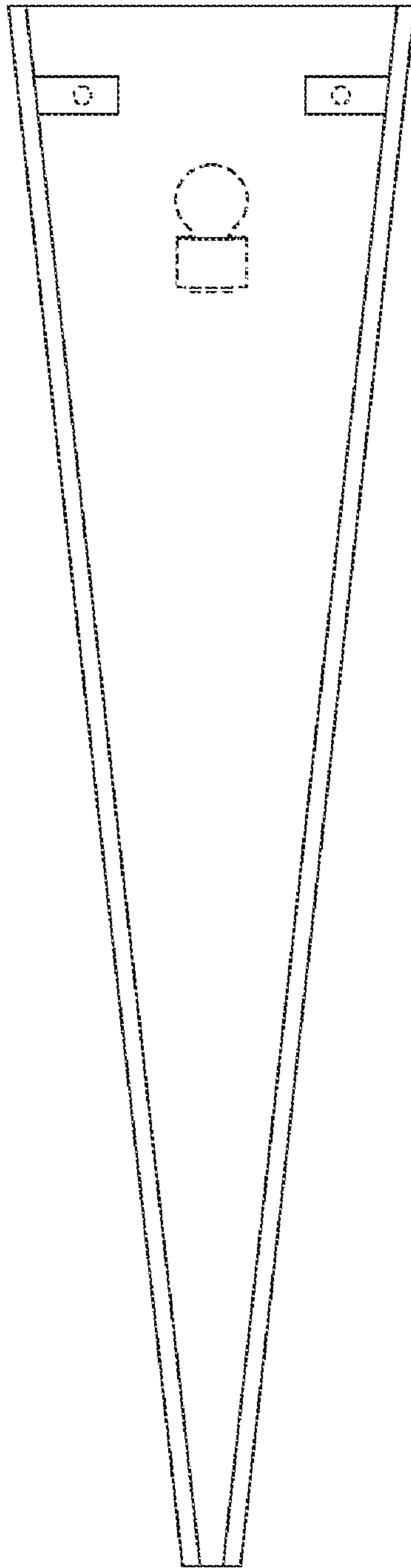


FIG. 4

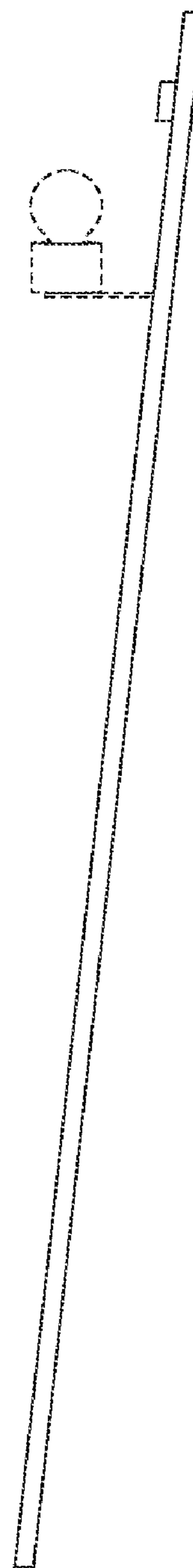
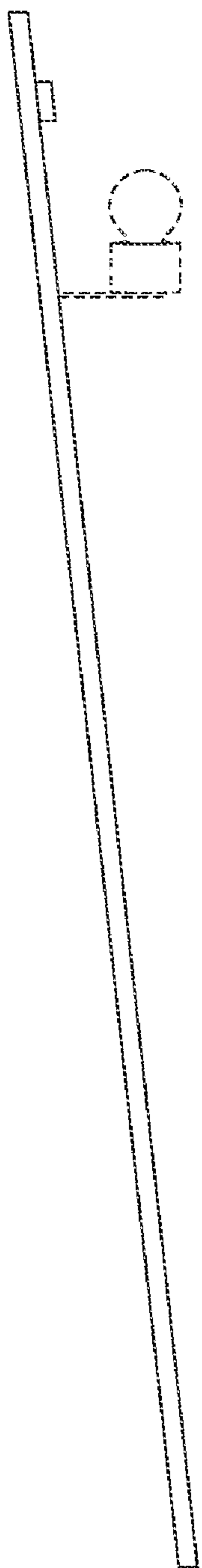


FIG. 5

FIG. 6