



US00D623338S

(12) **United States Design Patent**  
**Mo**

(10) **Patent No.:** **US D623,338 S**

(45) **Date of Patent:** **\*\* Sep. 7, 2010**

(54) **LED LAMP**

(75) Inventor: **Ci-Jin Mo**, Shenzhen (CN)

(73) Assignee: **Foxconn Technology Co., Ltd.**,  
Tu-Cheng, Taipei Hsien (TW)

(\*\*) Term: **14 Years**

(21) Appl. No.: **29/344,466**

(22) Filed: **Sep. 29, 2009**

(51) **LOC (9) Cl.** ..... **26-05**

(52) **U.S. Cl.** ..... **D26/72; D26/119**

(58) **Field of Classification Search** ..... D26/67-72,  
D26/85, 92, 119; 362/145, 183, 249.02,  
362/249.03, 249.04, 249.06, 249.16, 231,  
362/431

See application file for complete search history.

(56) **References Cited**

**U.S. PATENT DOCUMENTS**

D75,869 S *	7/1928	Pfeiffer	.....	D26/152
RE21,721 E *	2/1941	Steber	.....	D26/65
D200,118 S *	1/1965	Van Steenhoven	.....	D26/71
D573,288 S *	7/2008	Xu et al.	.....	D26/67
D573,289 S *	7/2008	Xu et al.	.....	D26/67
D578,694 S *	10/2008	Zeng et al.	.....	D26/70

7,611,264 B1 *	11/2009	Chang et al.	.....	362/249.02
7,682,049 B2 *	3/2010	Zheng et al.	.....	362/294
2009/0103308 A1 *	4/2009	Xu et al.	.....	362/294
2009/0147517 A1 *	6/2009	Li et al.	.....	362/249.02
2009/0147518 A1 *	6/2009	Shuai et al.	.....	362/249.02
2010/0046226 A1 *	2/2010	Cox et al.	.....	362/249.06
2010/0053963 A1 *	3/2010	Yang et al.	.....	362/249.02

\* cited by examiner

*Primary Examiner*—Clare E Heflin

(74) *Attorney, Agent, or Firm*—Frank R. Niranjan

(57) **CLAIM**

The ornamental design for an LED lamp, as shown.

**DESCRIPTION**

FIG. 1 is a perspective view of an LED lamp showing my new design;

FIG. 2 is a front elevational view thereof;

FIG. 3 is a rear elevational view thereof;

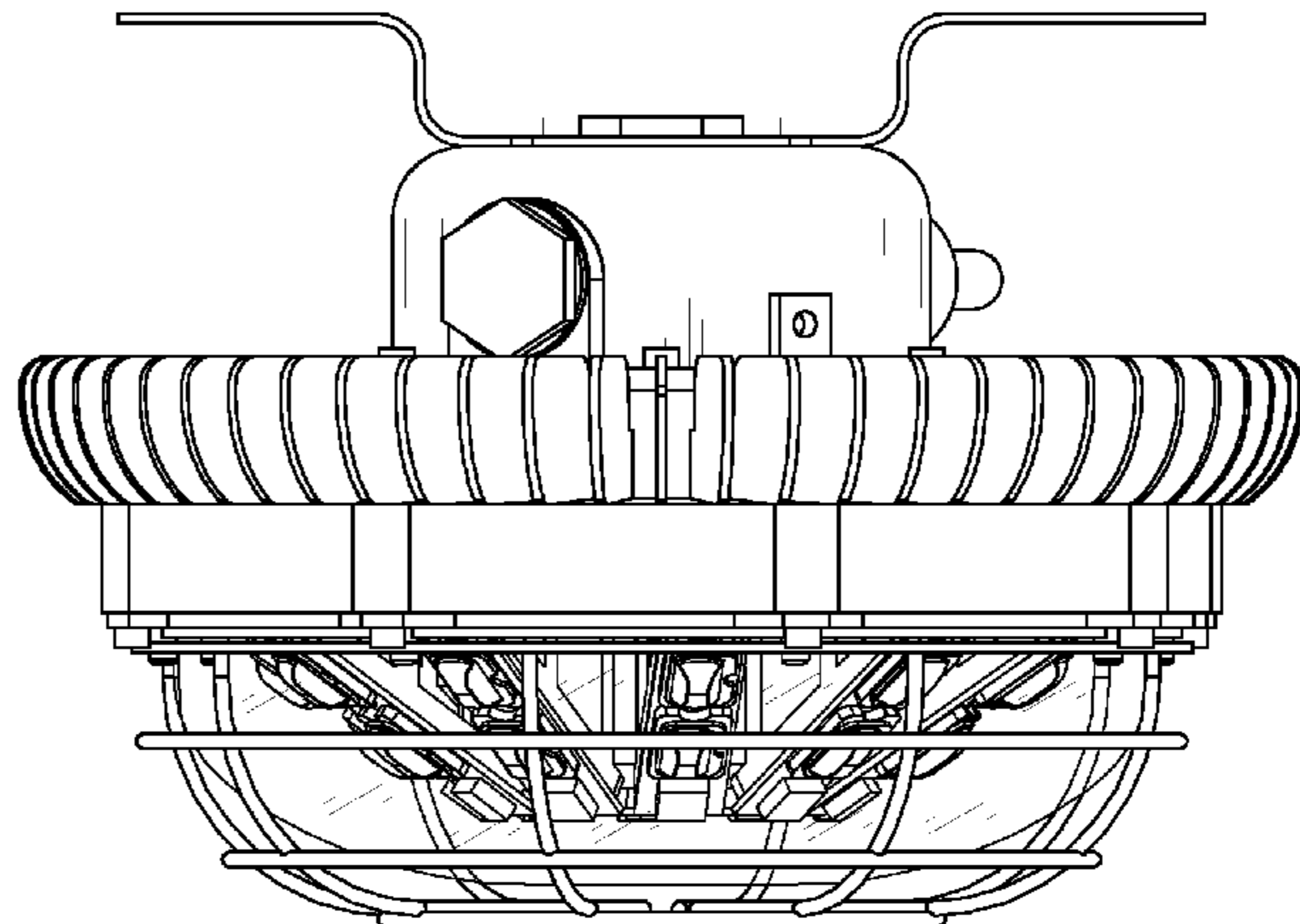
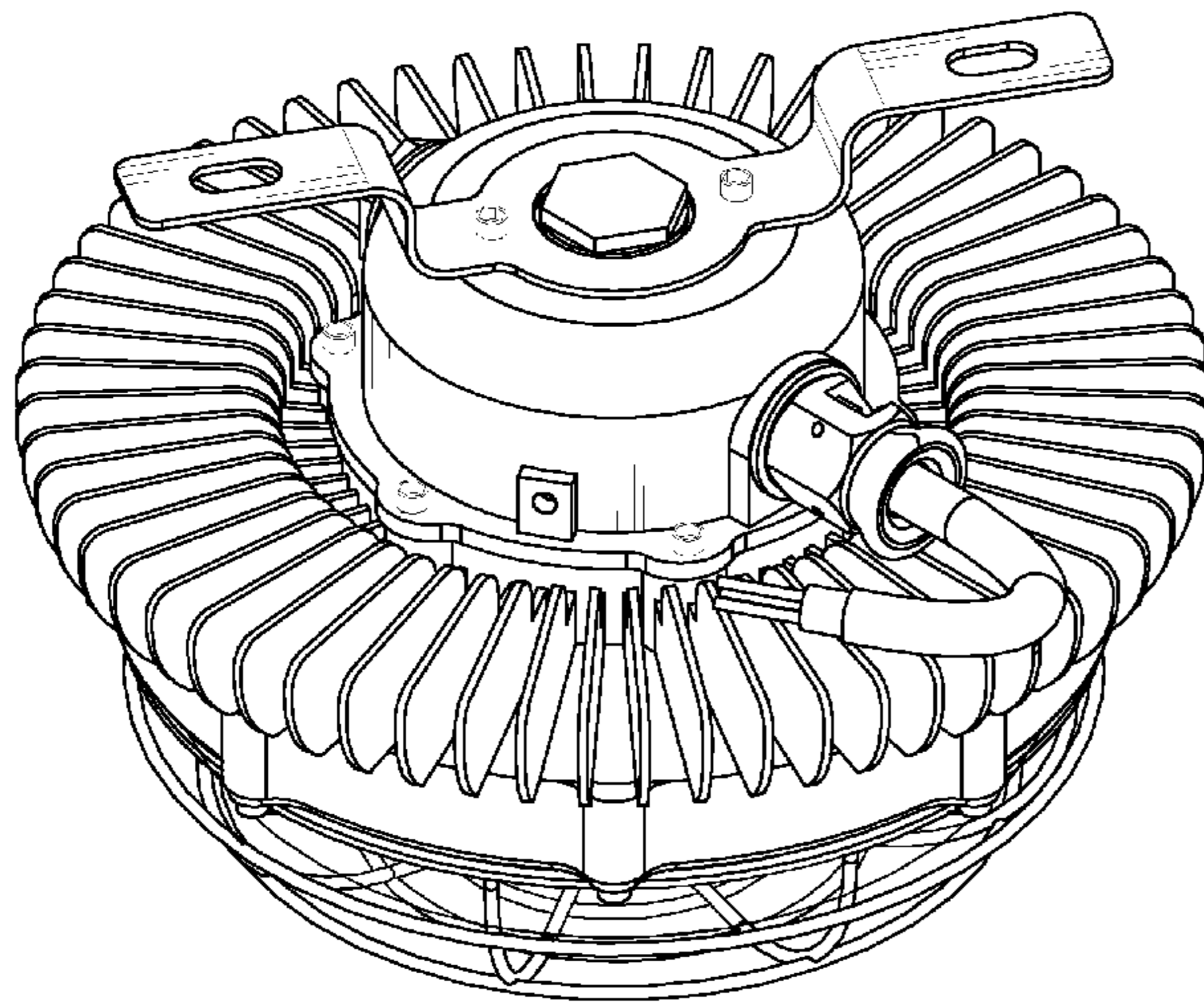
FIG. 4 is a left-side, elevational view thereof;

FIG. 5 is a right-side, elevational view thereof;

FIG. 6 is a top plan view thereof; and,

FIG. 7 is a bottom plan view thereof.

**1 Claim, 7 Drawing Sheets**



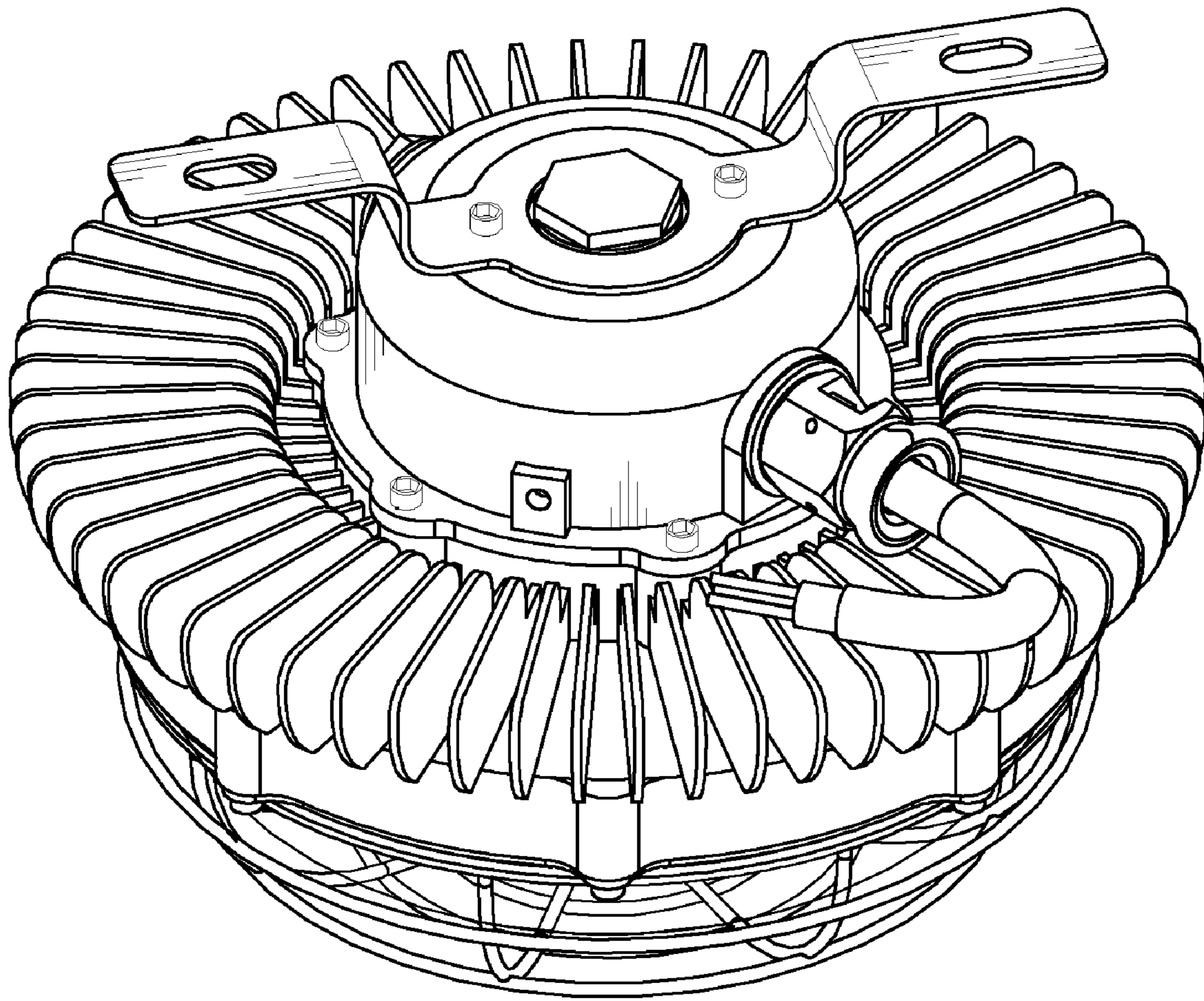


FIG. 1

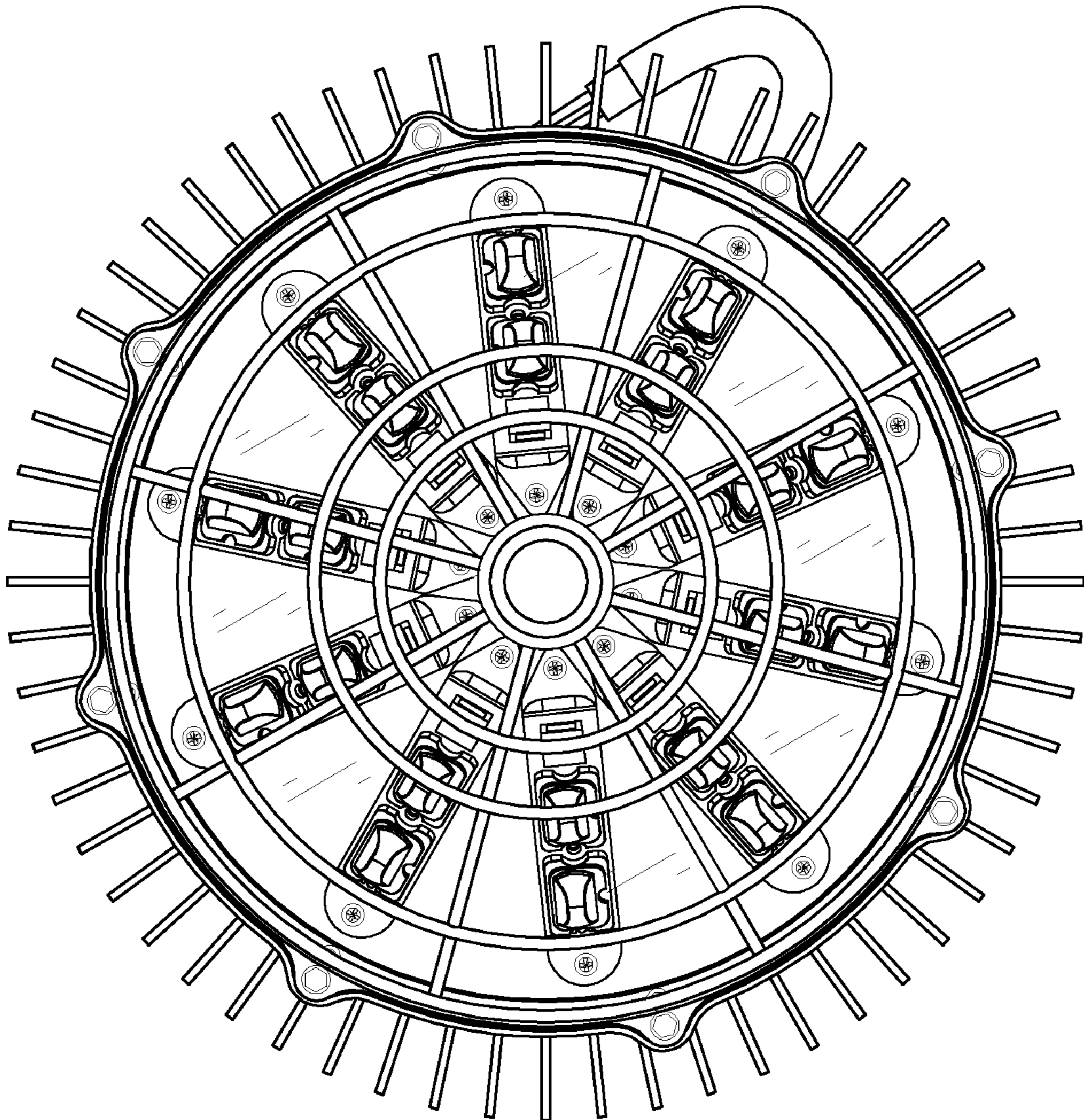


FIG. 2

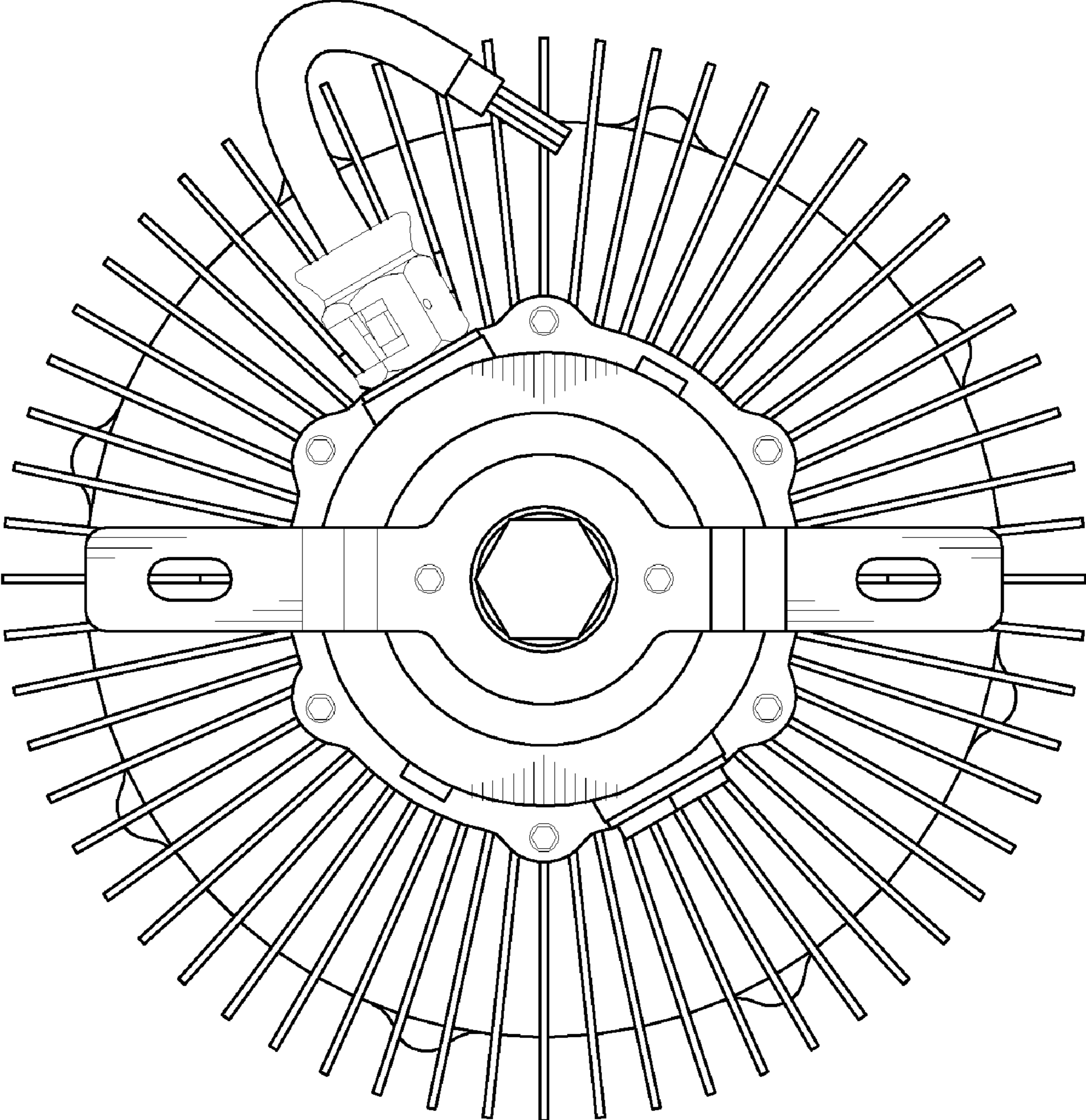


FIG. 3

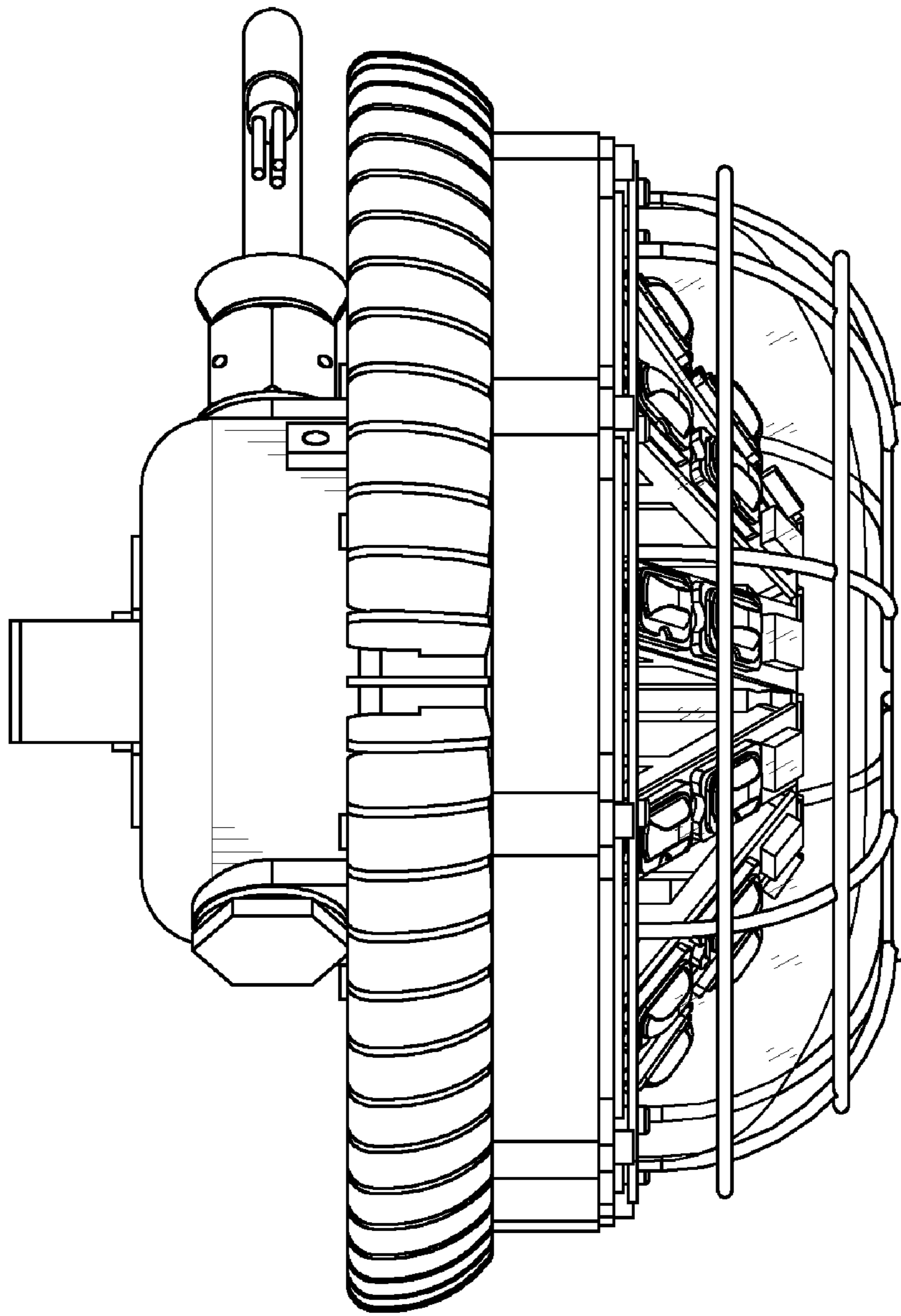


FIG. 4

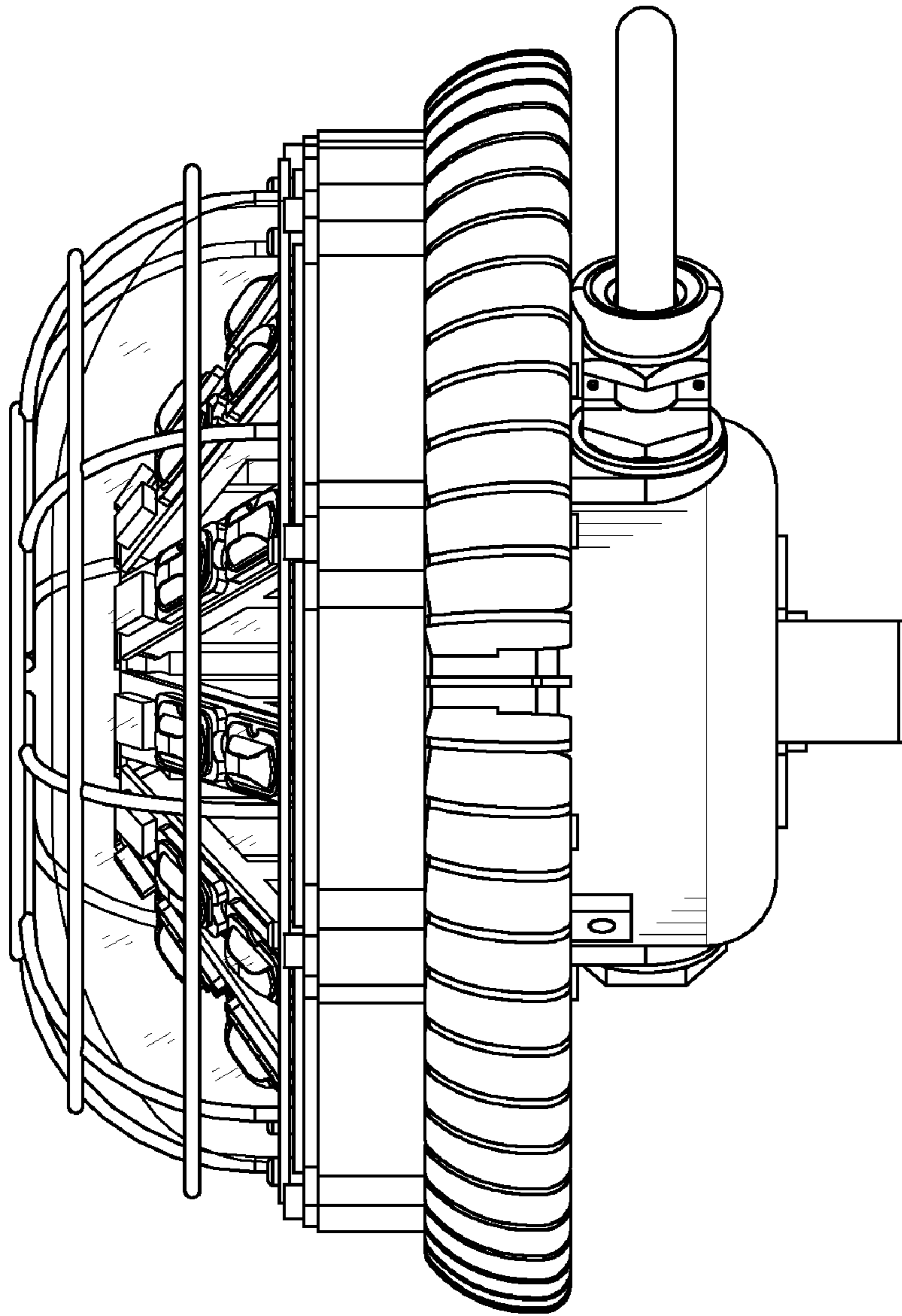


FIG. 5

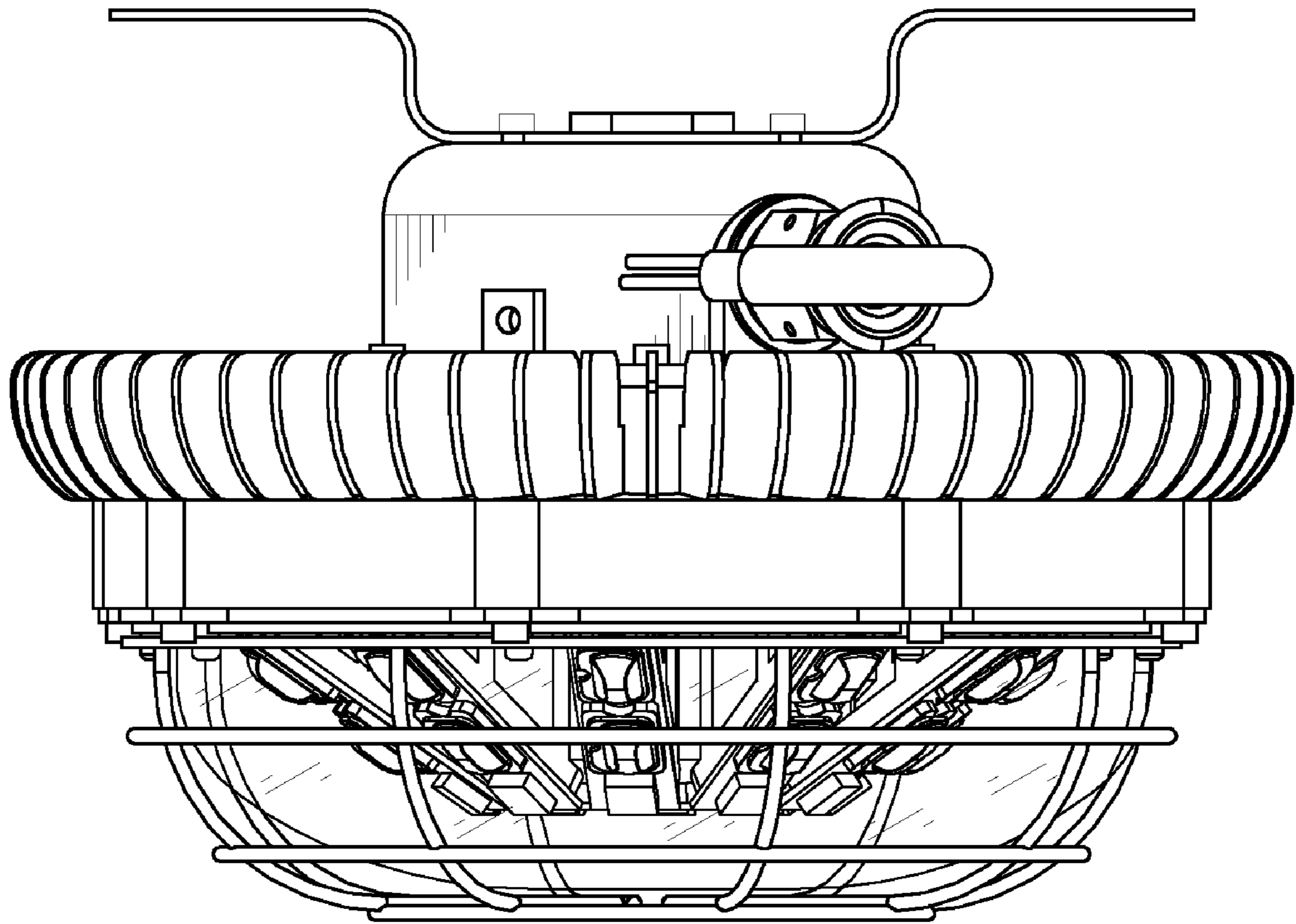


FIG. 6

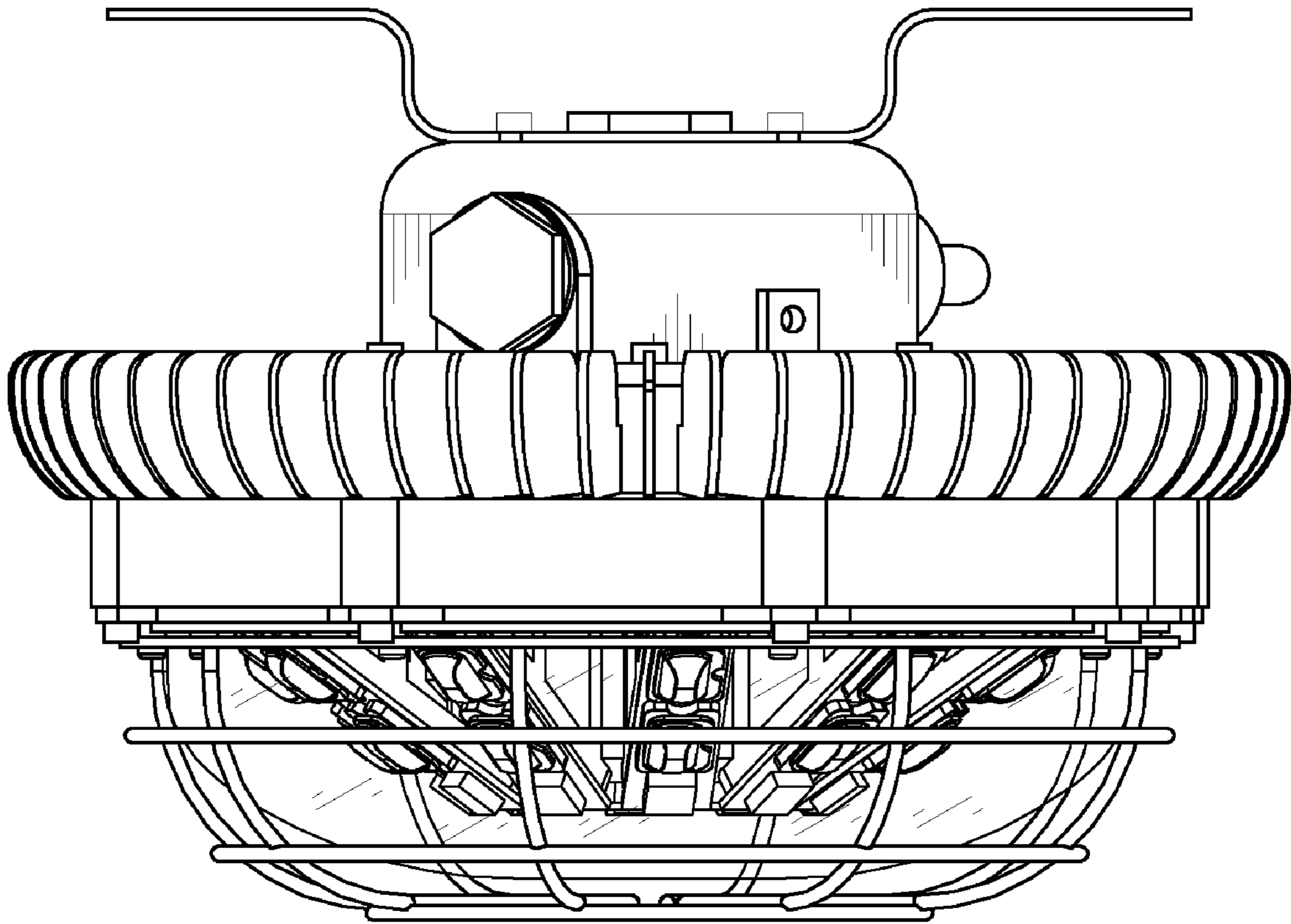


FIG. 7