



US00D623337S

(12) **United States Design Patent**  
**Zheng**

(10) **Patent No.:** **US D623,337 S**

(45) **Date of Patent:** **\*\* Sep. 7, 2010**

(54) **LED LAMP**

(75) Inventor: **Shi-Song Zheng**, Shenzhen (CN)

(73) Assignee: **Foxconn Technology Co., Ltd.**,  
Tu-Cheng, Taipei Hsien (TW)

(\*\*) Term: **14 Years**

(21) Appl. No.: **29/355,038**

(22) Filed: **Feb. 2, 2010**

(30) **Foreign Application Priority Data**

Jan. 13, 2010 (CN) ..... 2010 3 0300927

(51) **LOC (9) Cl.** ..... **26-05**

(52) **U.S. Cl.** ..... **D26/67**

(58) **Field of Classification Search** ..... D26/67-72,  
D26/85, 92, 119; 362/145, 183, 249.02,  
362/249.03, 249.04, 249.06, 249.16, 231,  
362/431

See application file for complete search history.

(56) **References Cited**

**U.S. PATENT DOCUMENTS**

D219,547 S \* 12/1970 Kaiser et al. .... D26/69  
7,458,706 B1 \* 12/2008 Liu et al. .... 362/373  
7,549,772 B2 \* 6/2009 Wang ..... 362/294

7,682,050 B2 \* 3/2010 Xiang et al. .... 362/294  
2009/0097241 A1 \* 4/2009 Xu et al. .... 362/234  
2009/0103308 A1 \* 4/2009 Xu et al. .... 362/294  
2009/0109676 A1 \* 4/2009 Lodhie ..... 362/249.06  
2009/0237934 A1 \* 9/2009 Zeng et al. .... 362/249.03  
2009/0257226 A1 \* 10/2009 Liu et al. .... 362/249.03  
2009/0303719 A1 \* 12/2009 Ko ..... 362/249.02  
2010/0014287 A1 \* 1/2010 Chiang et al. .... 362/231

\* cited by examiner

*Primary Examiner*—Clare E Heflin

(74) *Attorney, Agent, or Firm*—Frank R. Niranjan

(57) **CLAIM**

The ornamental design for an LED lamp, as shown.

**DESCRIPTION**

FIG. 1 is a perspective view of an LED lamp showing my new design.

FIG. 2 is a front elevational view thereof.

FIG. 3 is a rear elevational view thereof.

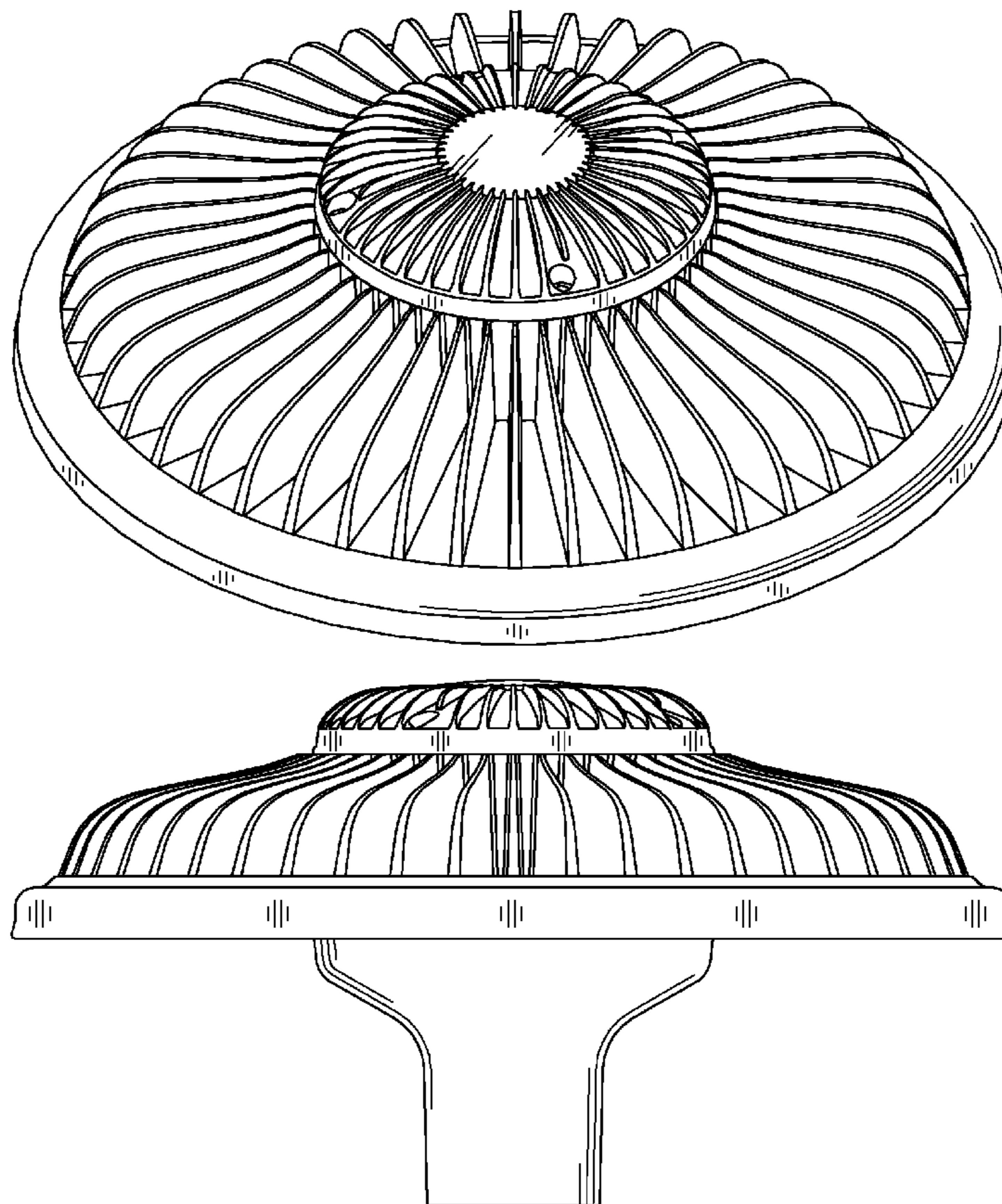
FIG. 4 is a left-side, elevational view thereof.

FIG. 5 is a right-side, elevational view thereof.

FIG. 6 is a top plan view thereof; and,

FIG. 7 is a bottom plan view thereof.

**1 Claim, 7 Drawing Sheets**



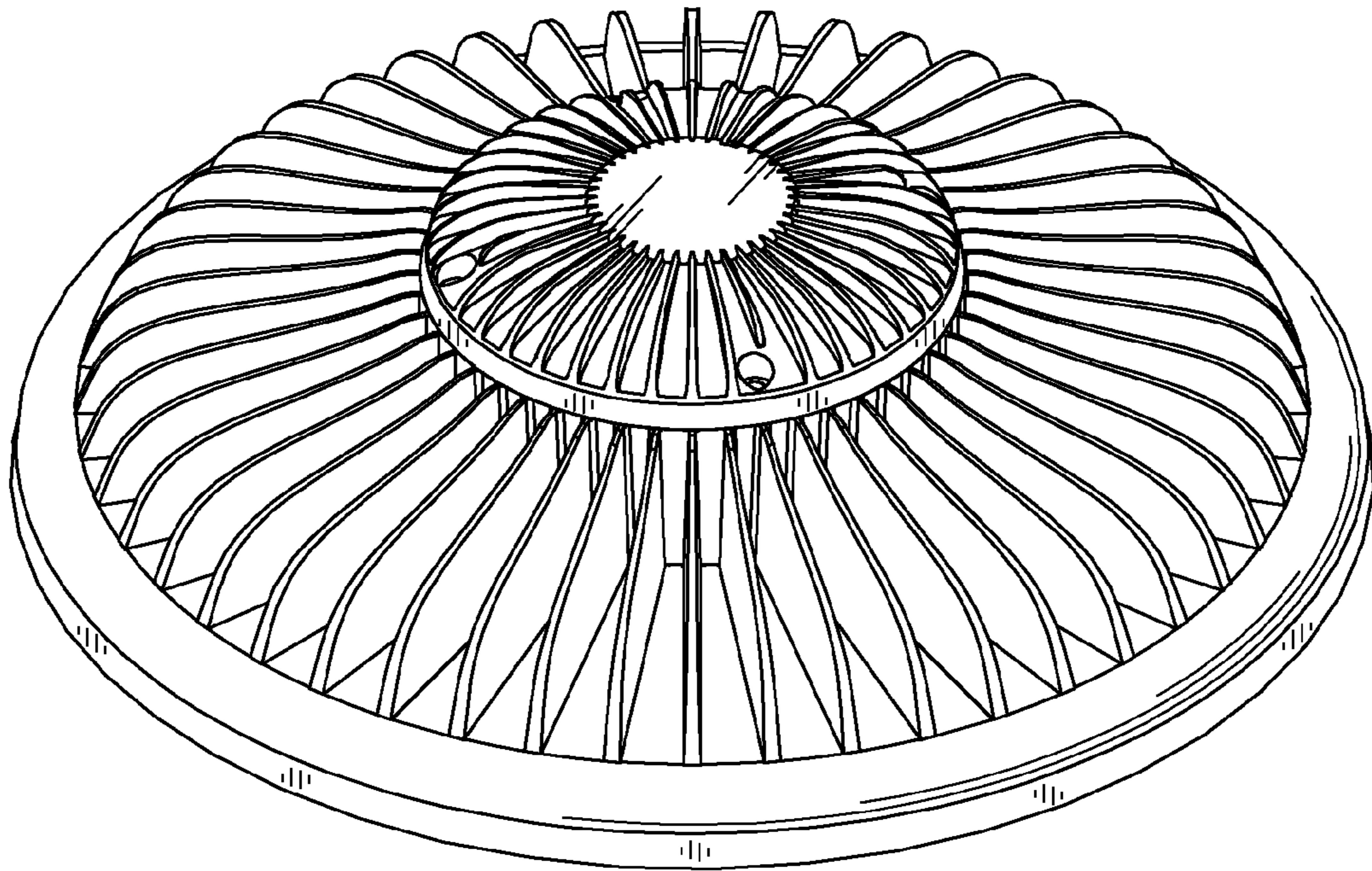


FIG. 1

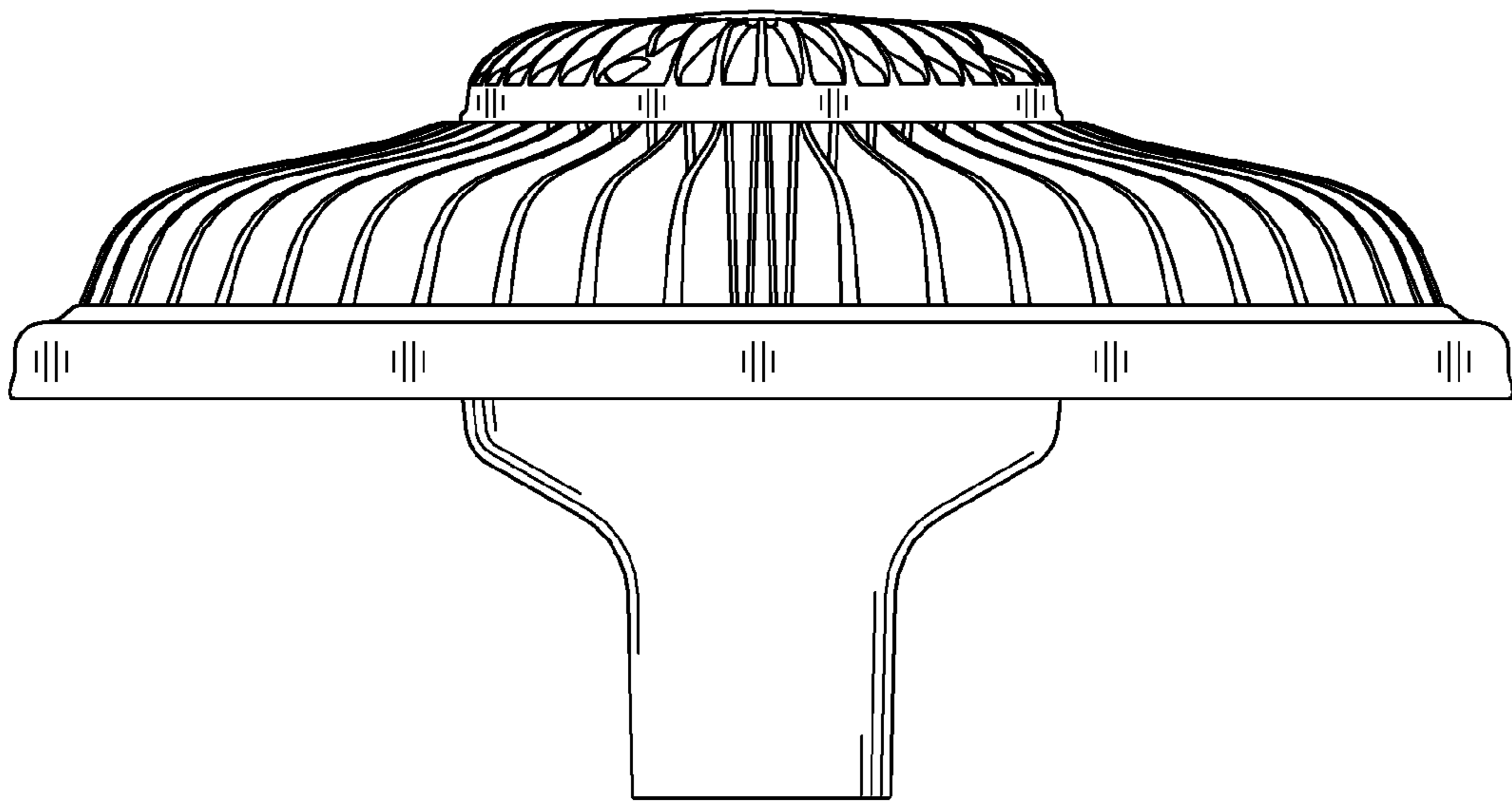


FIG. 2

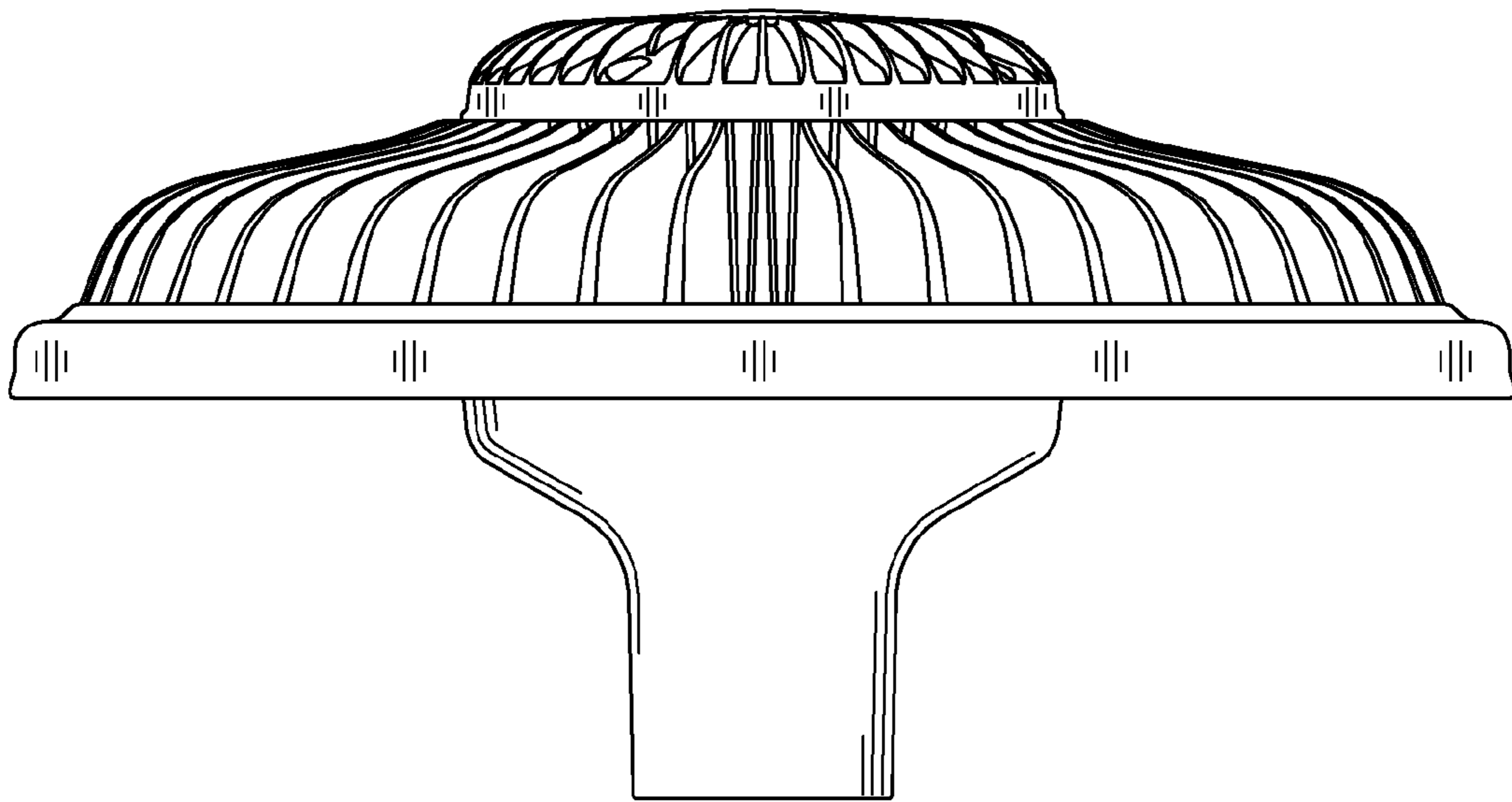


FIG. 3

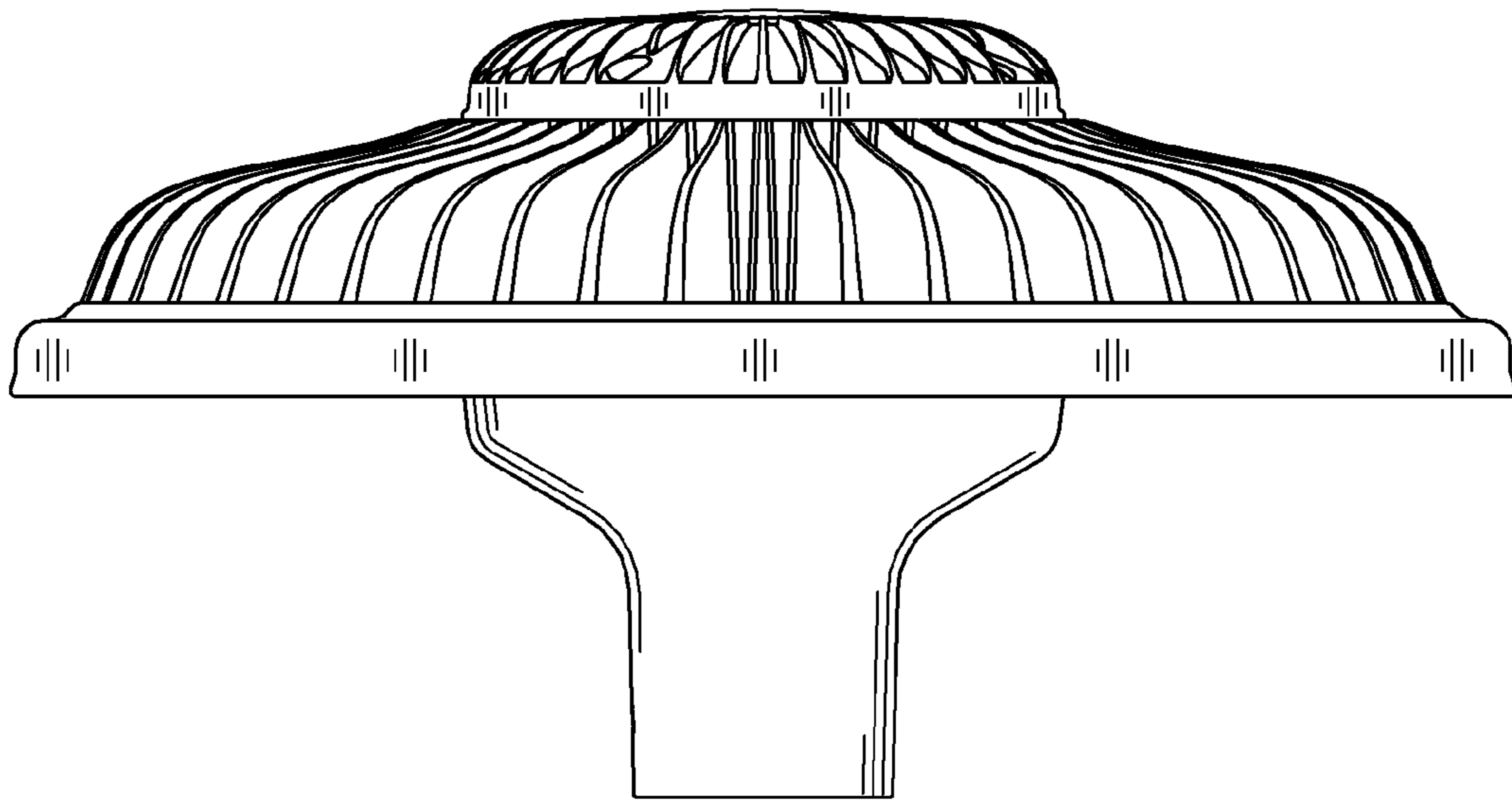


FIG. 4

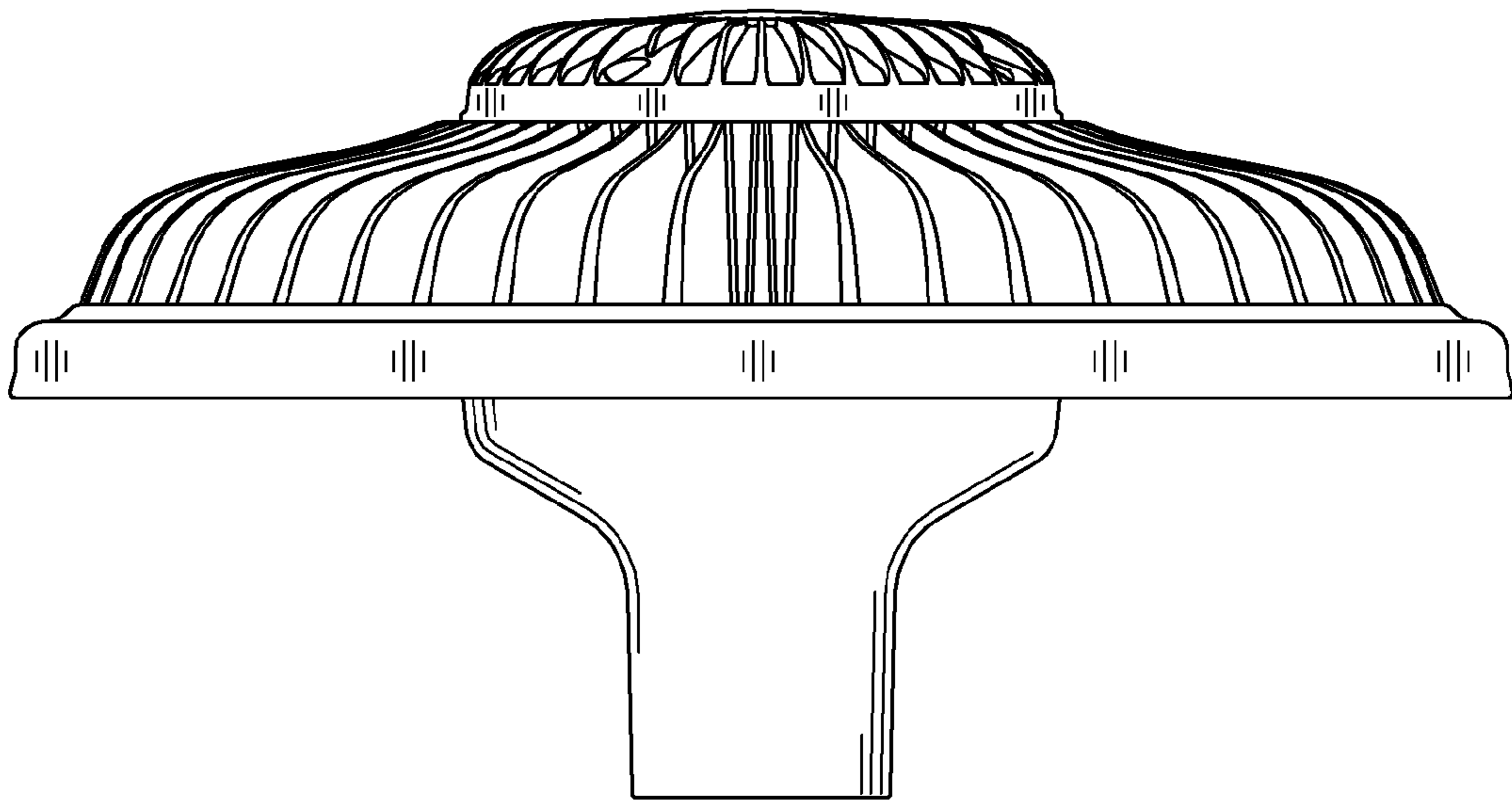


FIG. 5

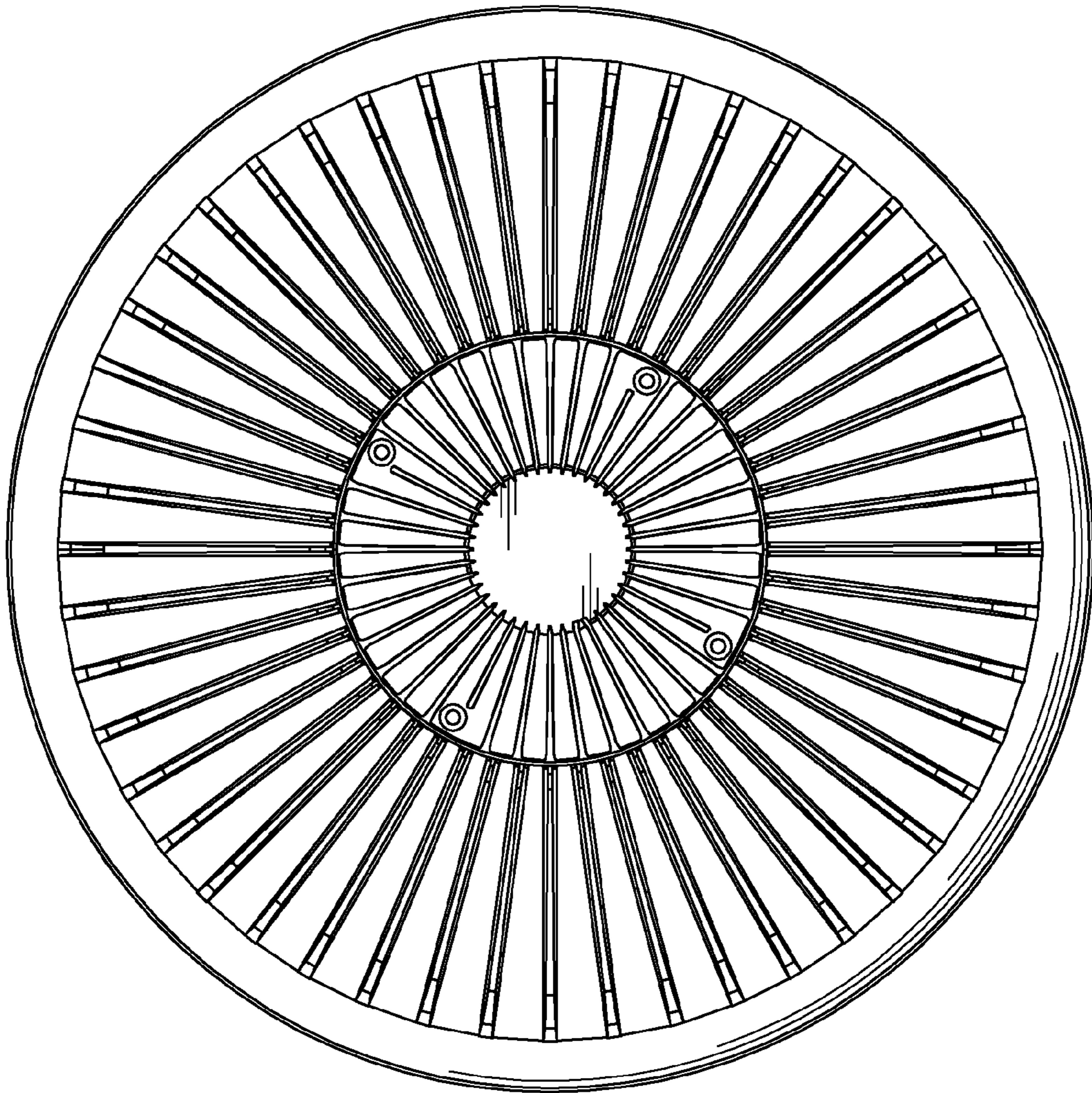


FIG. 6

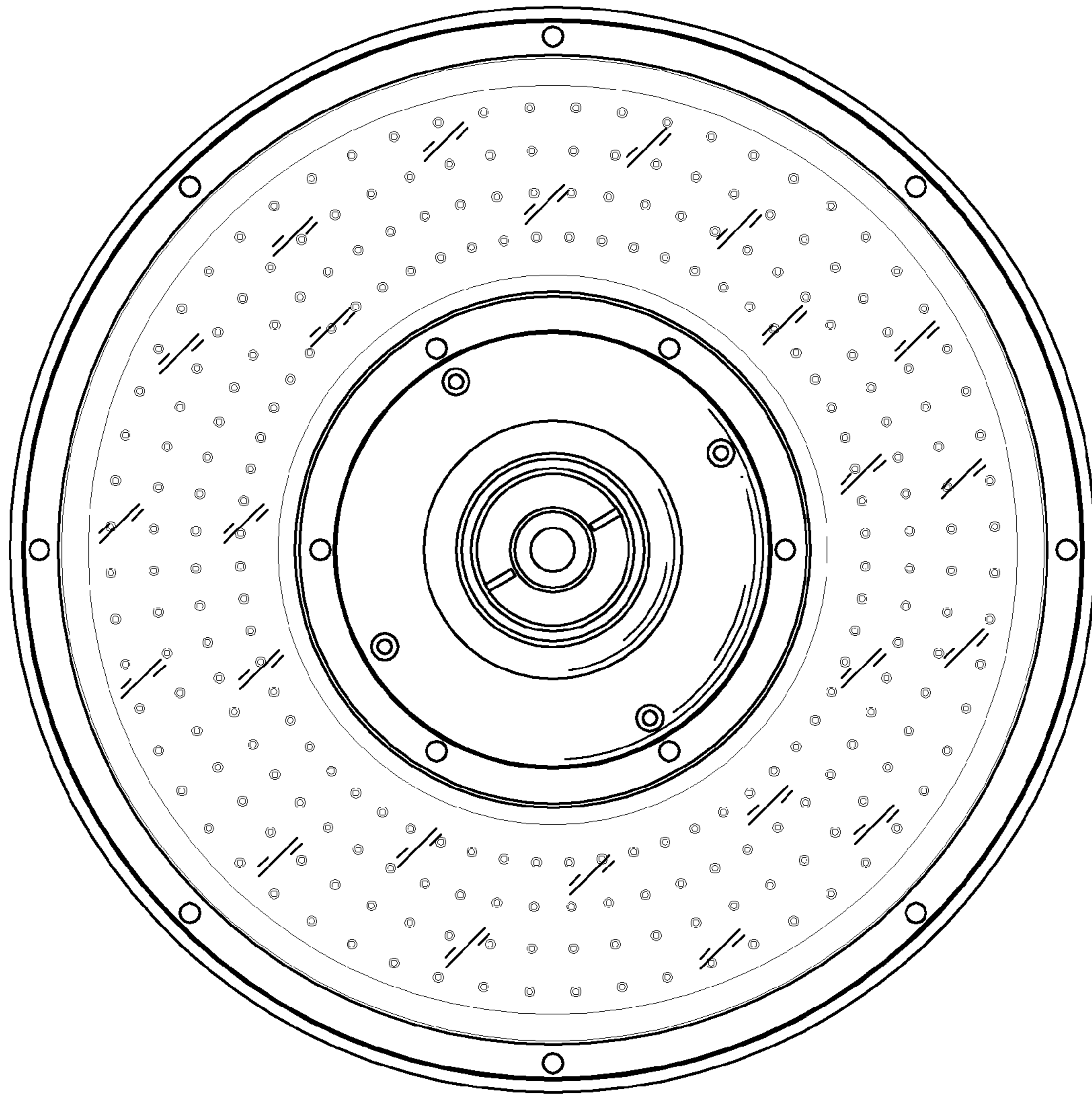


FIG. 7