



US00D623336S

(12) **United States Design Patent**
Levine

(10) **Patent No.:** **US D623,336 S**
(45) **Date of Patent:** **** Sep. 7, 2010**

(54) **LIGHTING DEVICE**

(76) Inventor: **Jonathan E. Levine**, 419 Park Ave.
South, Suite 505, New York, NY (US)
10016

(**) Term: **14 Years**

(21) Appl. No.: **29/361,517**

(22) Filed: **May 12, 2010**

(51) **LOC (9) Cl.** **26-05**

(52) **U.S. Cl.** **D26/65; D26/60**

(58) **Field of Classification Search** D12/60-66,
D12/37, 44; 362/98, 99, 157, 270, 277, 275,
362/285, 410-414, 418, 419, 427, 249.1,
362/269, 274, 278, 281, 282, 283, 287, 174-177,
362/280, 227, 235-240, 249.01-249.09

See application file for complete search history.

(56) **References Cited**

U.S. PATENT DOCUMENTS

D206,391 S	12/1966	Lax	
D241,972 S	10/1976	Nau	
D366,337 S	1/1996	Yuen	
D397,478 S	8/1998	Booty, Jr.	
D408,567 S	4/1999	Coe	
6,022,119 A	2/2000	Booty, Jr.	
D435,677 S	12/2000	Hollinger	
D497,216 S	10/2004	Lee	
D518,584 S	4/2006	Chan	
D524,474 S	7/2006	Lo et al.	
D526,433 S	8/2006	Li	
D563,013 S	2/2008	Levine et al.	
D581,077 S *	11/2008	Levine	D26/62
D581,570 S *	11/2008	Levine	D26/62
7,578,598 B2	8/2009	Robinson et al.	
D615,226 S	5/2010	Levine	

2010/0033960 A1 2/2010 Levine

OTHER PUBLICATIONS

“Fulcrum 113311-301 Flyweight Travel Booklight,” <http://www.amazon.com/Fulcrum-113311-301-Flyweight-Travel-Booklight/dp/B0006JN7XC>, visited Aug. 17, 2007, 1 page.

* cited by examiner

Primary Examiner—Susan M Lee

Assistant Examiner—Linda G. Brooks

(74) *Attorney, Agent, or Firm*—Theodore W. Baker

(57) **CLAIM**

I claim the ornamental design for a lighting device, as shown and described.

DESCRIPTION

FIG. 1 is a perspective view of a lighting device showing my new design in a first configuration, as viewed from the top and one side.

FIG. 2 is a first side elevation view of the lighting device of FIG. 1 in the first configuration.

FIG. 3 is a front elevation view of the lighting device of FIG. 1 in the first configuration.

FIG. 4 is a second side elevation view of the lighting device of FIG. 1 in the first configuration.

FIG. 5 is a back elevation view of the lighting device of FIG. 1 in the first configuration.

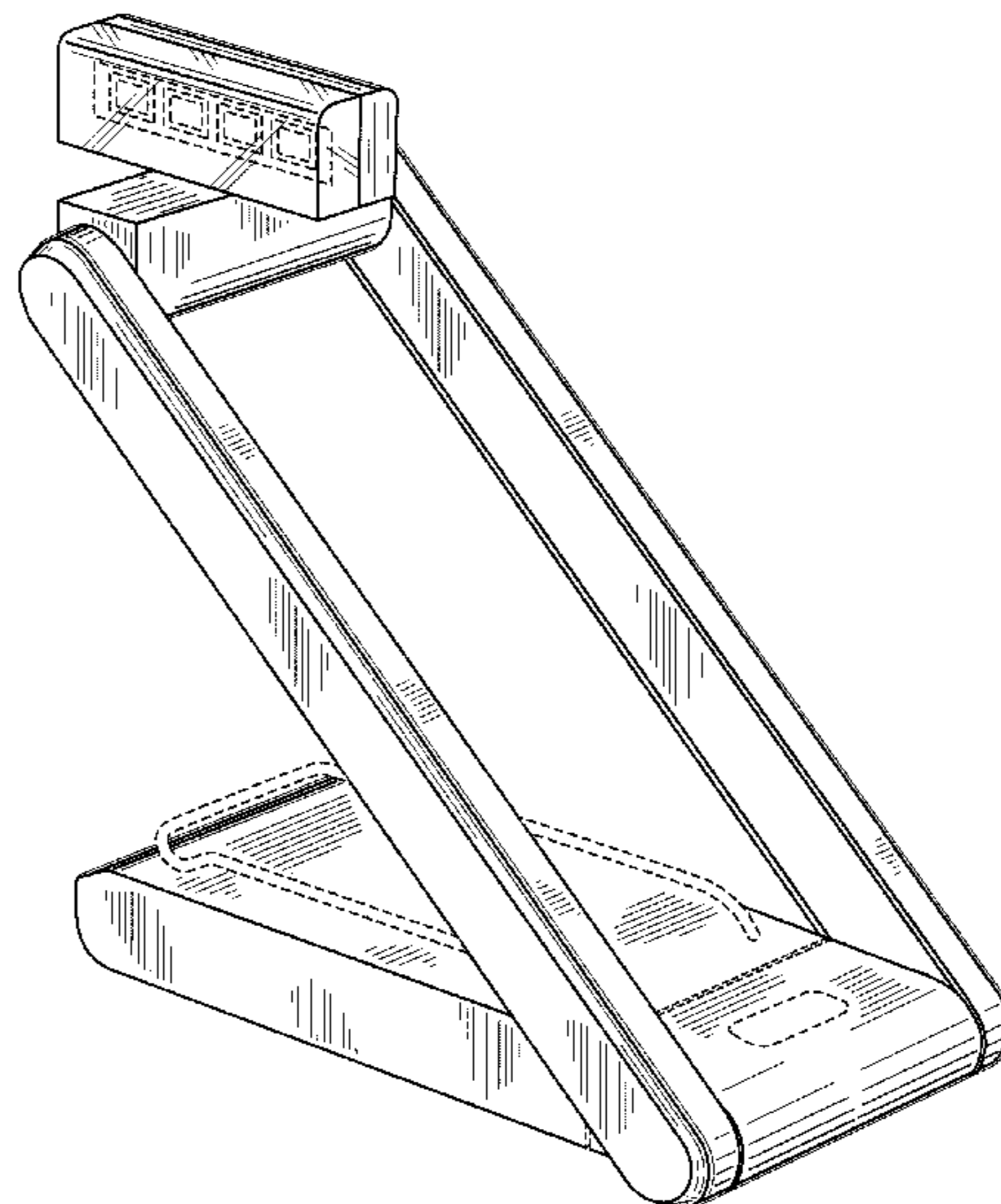
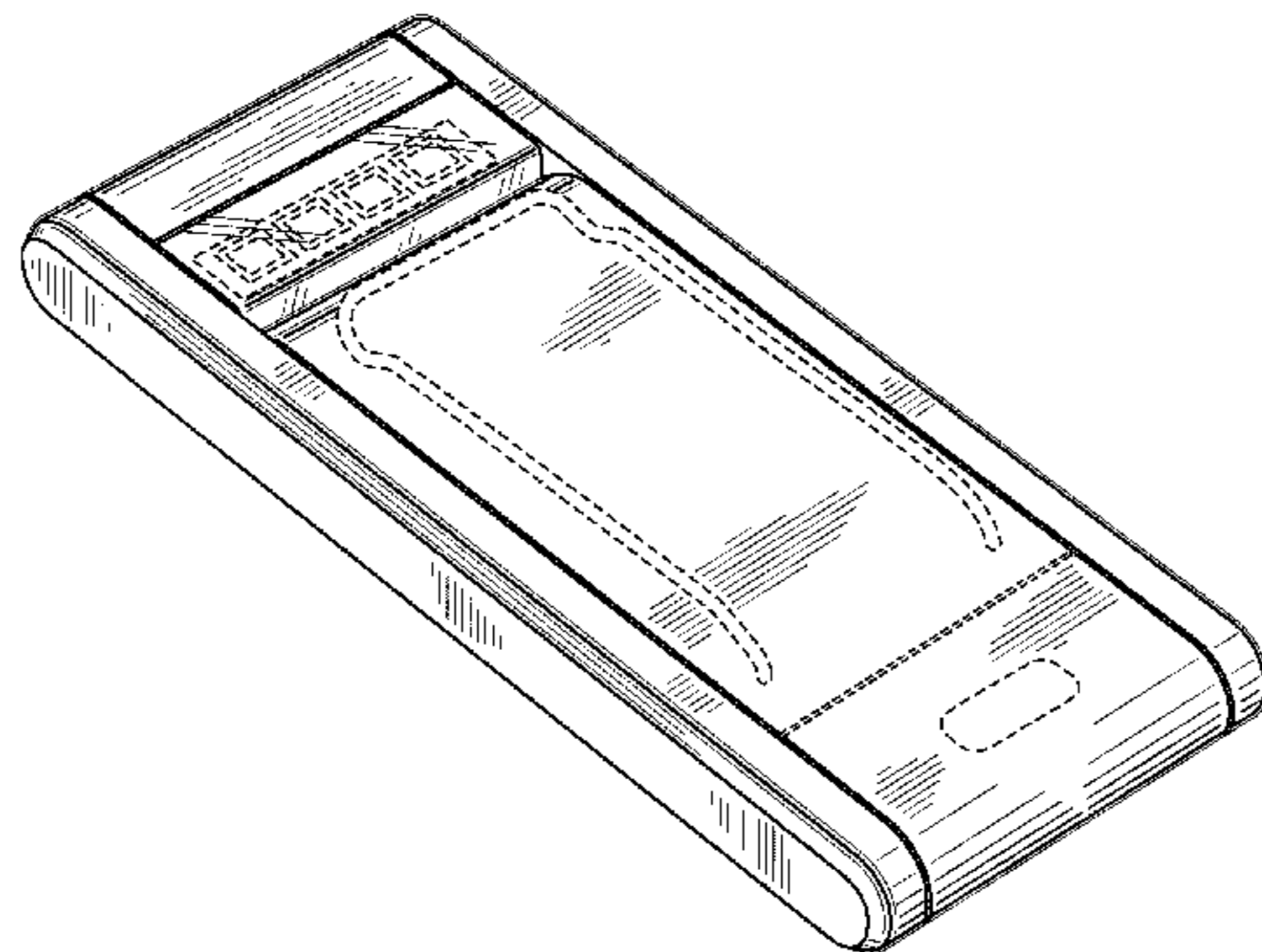
FIG. 6 is a top plan view of the lighting device of FIG. 1 in the first configuration.

FIG. 7 is a bottom plan view of the lighting device of FIG. 1 in the first configuration; and,

FIG. 8 is a perspective view of the lighting device of FIG. 1 in a second configuration, as viewed from the top and one side.

The details shown in broken lines illustrate portions of the lighting device that form no part of the claimed design.

1 Claim, 4 Drawing Sheets



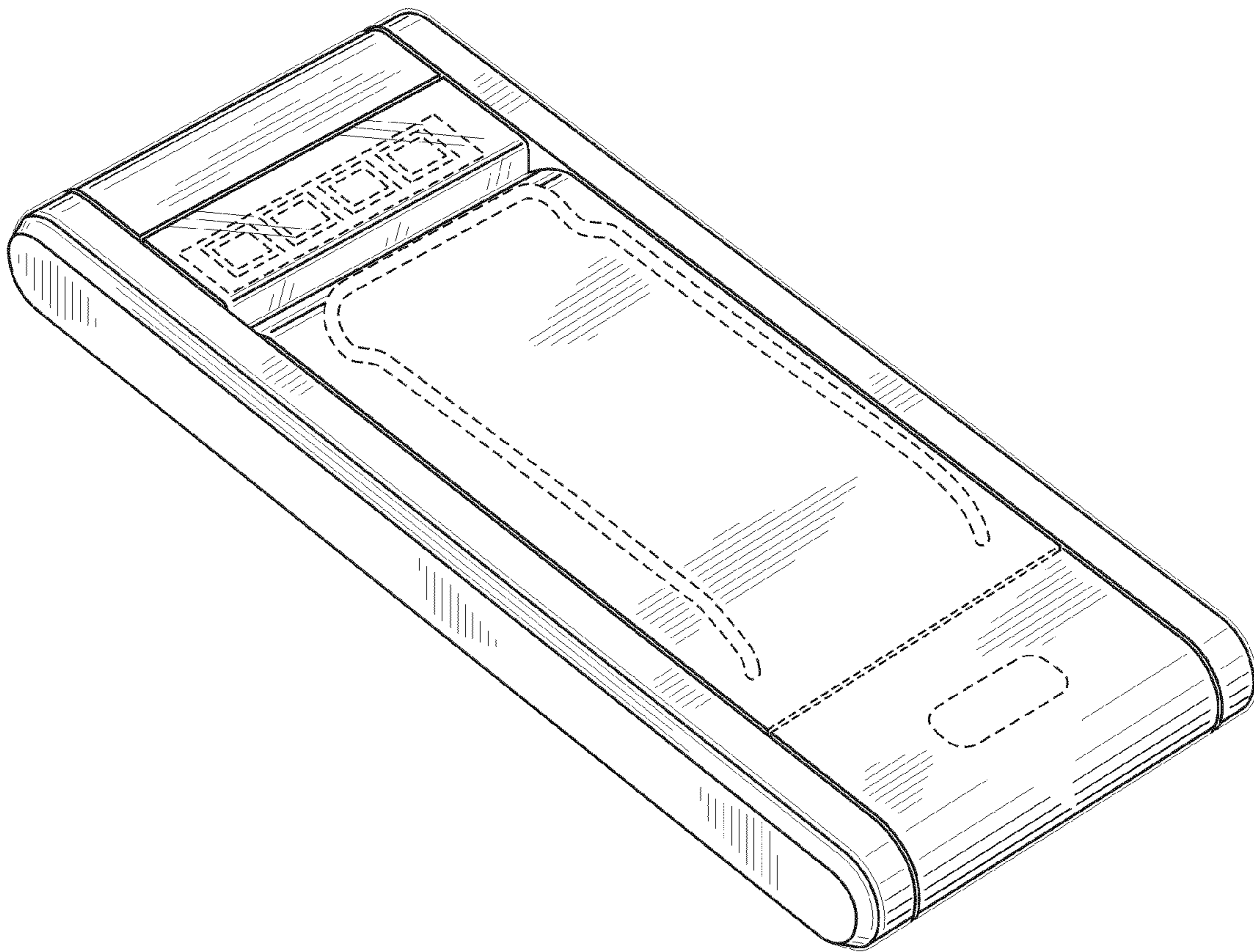


FIG. 1

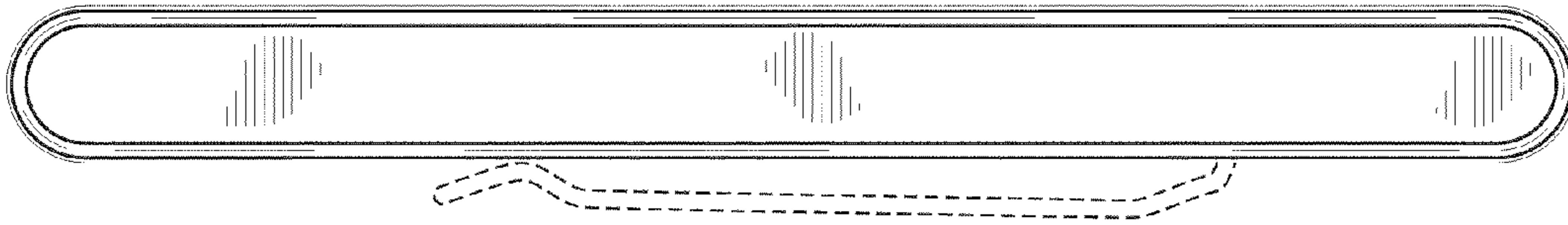


FIG. 4

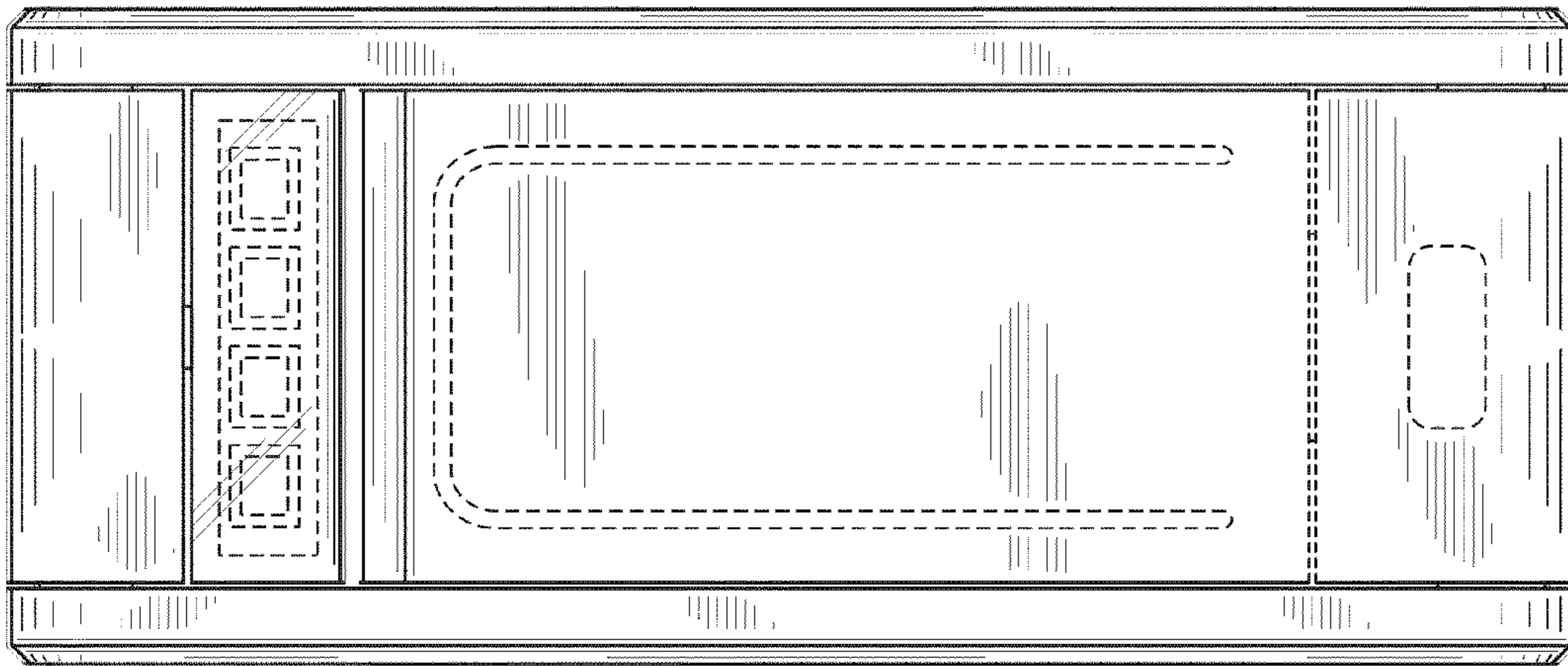


FIG. 3

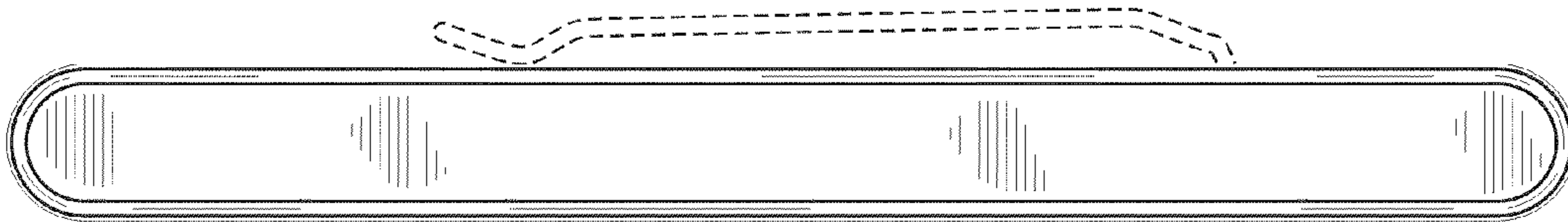


FIG. 2

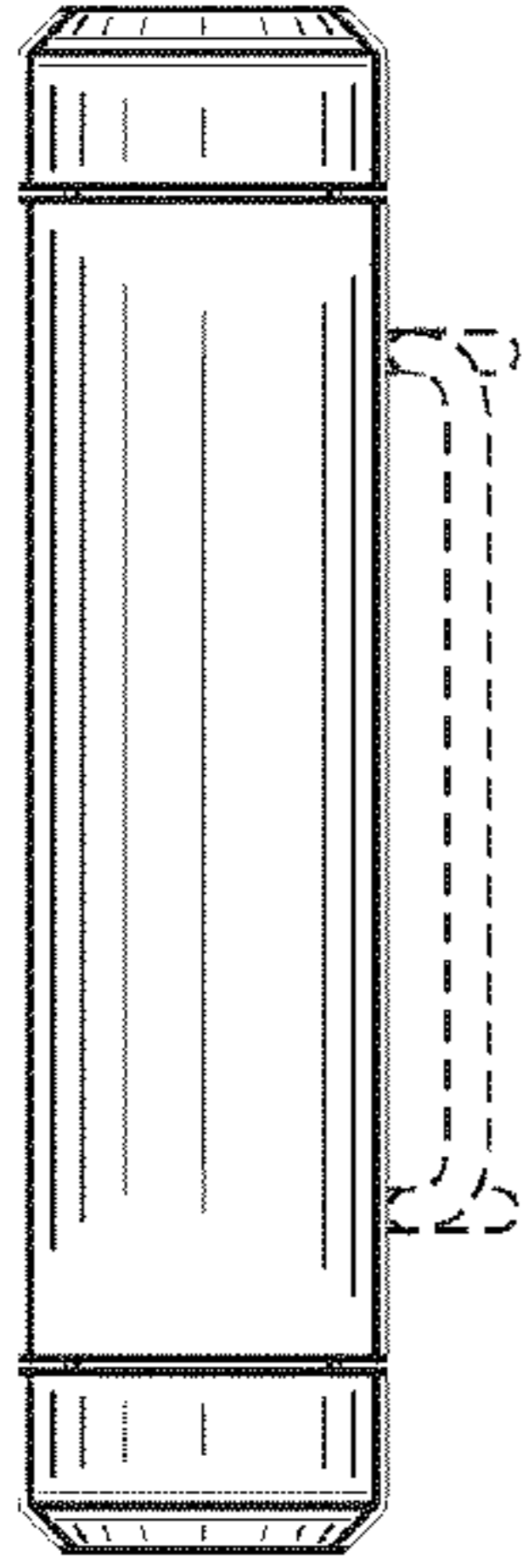


FIG. 6

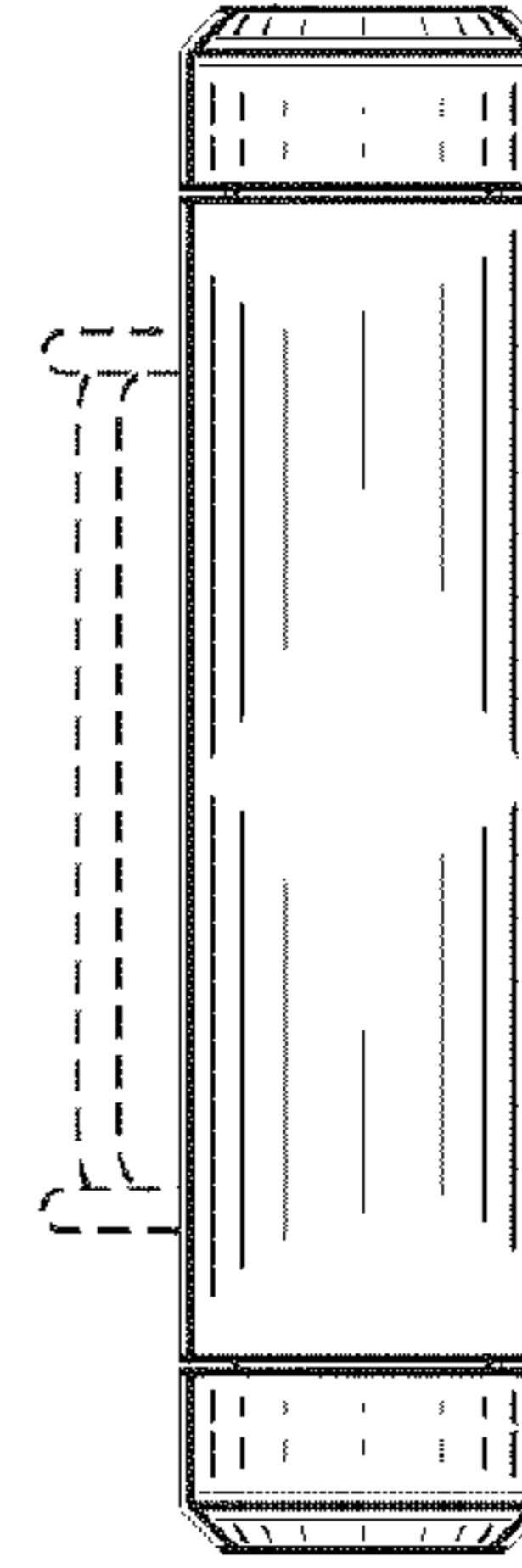


FIG. 7

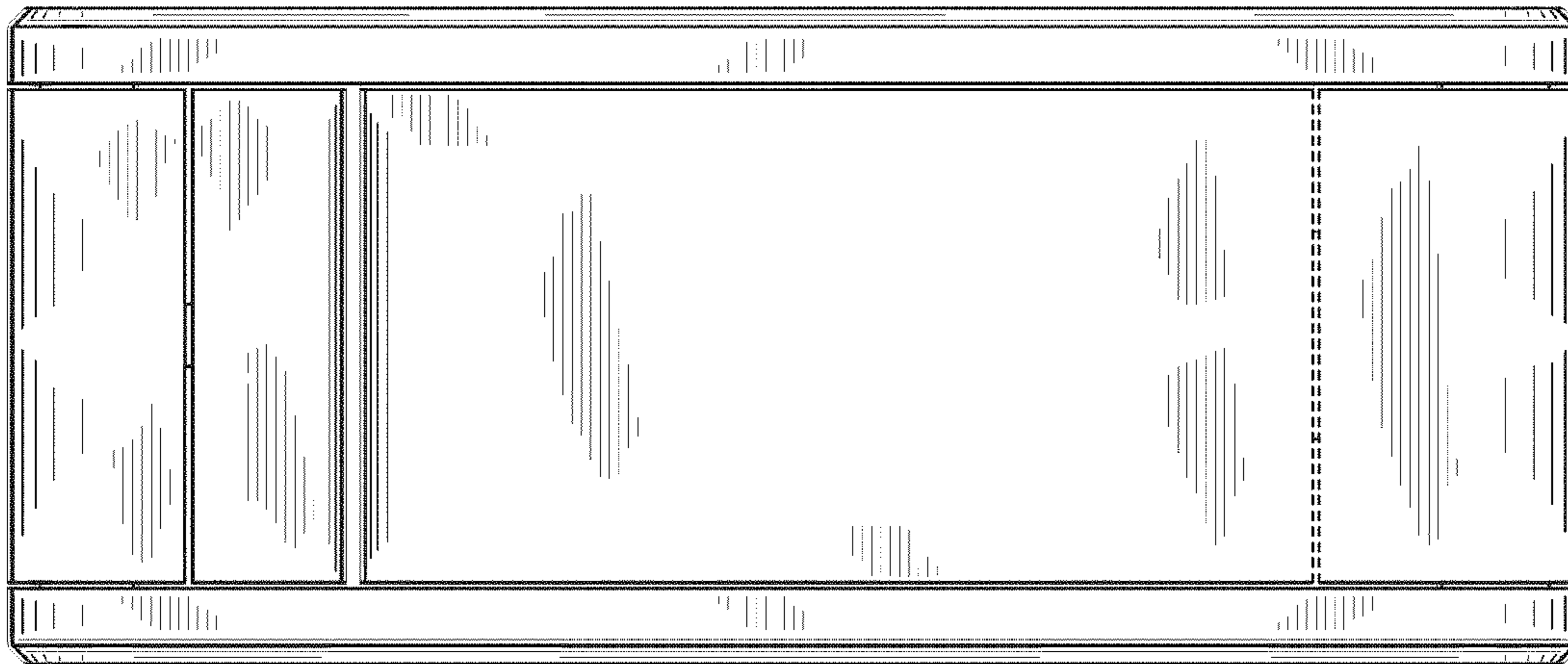


FIG. 5

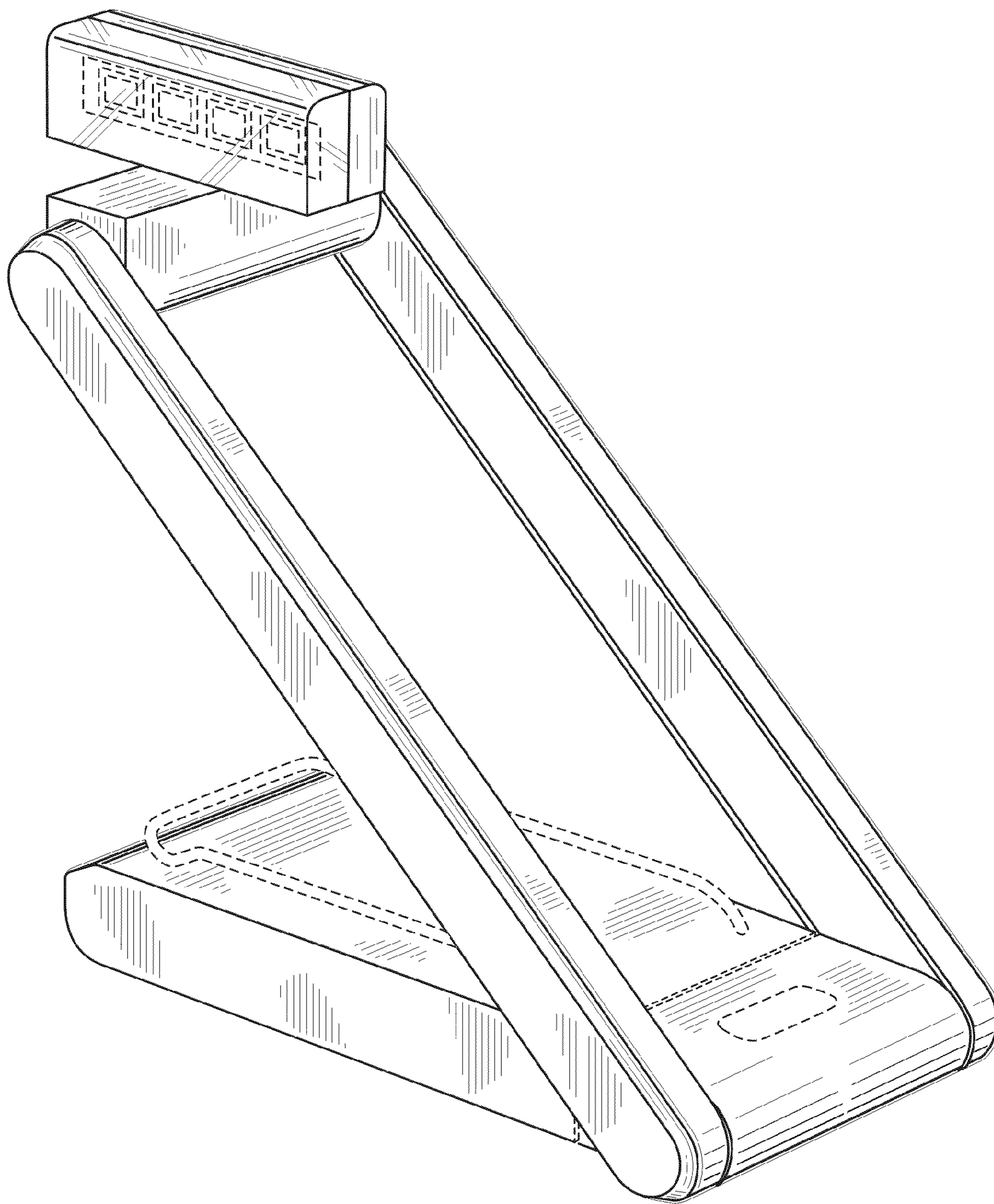


FIG. 8