



US00D623335S

(12) **United States Design Patent**
Huang

(10) **Patent No.:** **US D623,335 S**

(45) **Date of Patent:** **** Sep. 7, 2010**

(54) **TABLE LAMP**

(75) Inventor: **Huo-Tu Huang**, Taipei County (TW)

(73) Assignee: **Huangslite Industrial Co., Ltd.**, Taipei (TW)

(**) Term: **14 Years**

(21) Appl. No.: **29/347,671**

(22) Filed: **Apr. 6, 2010**

(51) **LOC (9) Cl.** **26-05**

(52) **U.S. Cl.** **D26/65**

(58) **Field of Classification Search** D26/61-65,
D26/107; 362/269, 275, 285, 371, 410, 413,
362/414, 418, 419, 427

See application file for complete search history.

(56) **References Cited**

U.S. PATENT DOCUMENTS

D310,886 S *	9/1990	Gismondi et al.	D26/65
D315,804 S *	3/1991	Von Klier	D26/65
D380,848 S *	7/1997	Swanson	D26/63
D467,378 S *	12/2002	Wang	D26/65
D485,929 S *	1/2004	Cvek	D26/65

D487,813 S *	3/2004	Sherman	D26/65
D506,018 S *	6/2005	Campo	D26/62
D517,713 S *	3/2006	Waldmann	D26/60
D568,520 S *	5/2008	Castellucci et al.	D26/65
D600,388 S *	9/2009	Huang	D26/65
D616,588 S *	5/2010	Lee	D26/63

* cited by examiner

Primary Examiner—Clare E Heflin

(57) **CLAIM**

I claim the ornamental design for table lamp, as shown and described.

DESCRIPTION

FIG. 1. is a perspective view of table lamp showing my new design

FIG. 2. is a front elevational view thereof;

FIG. 3. is a rear elevational view thereof;

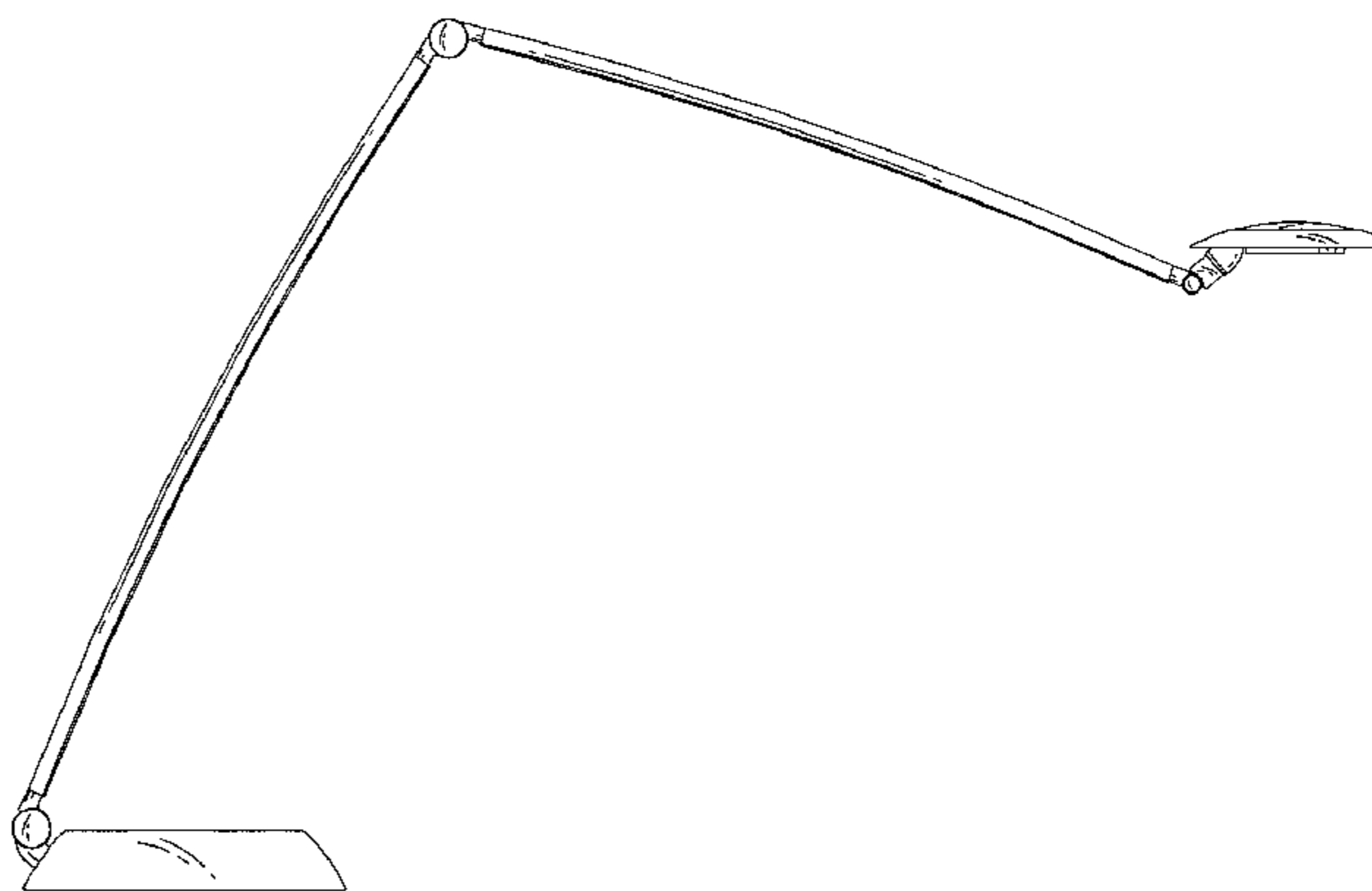
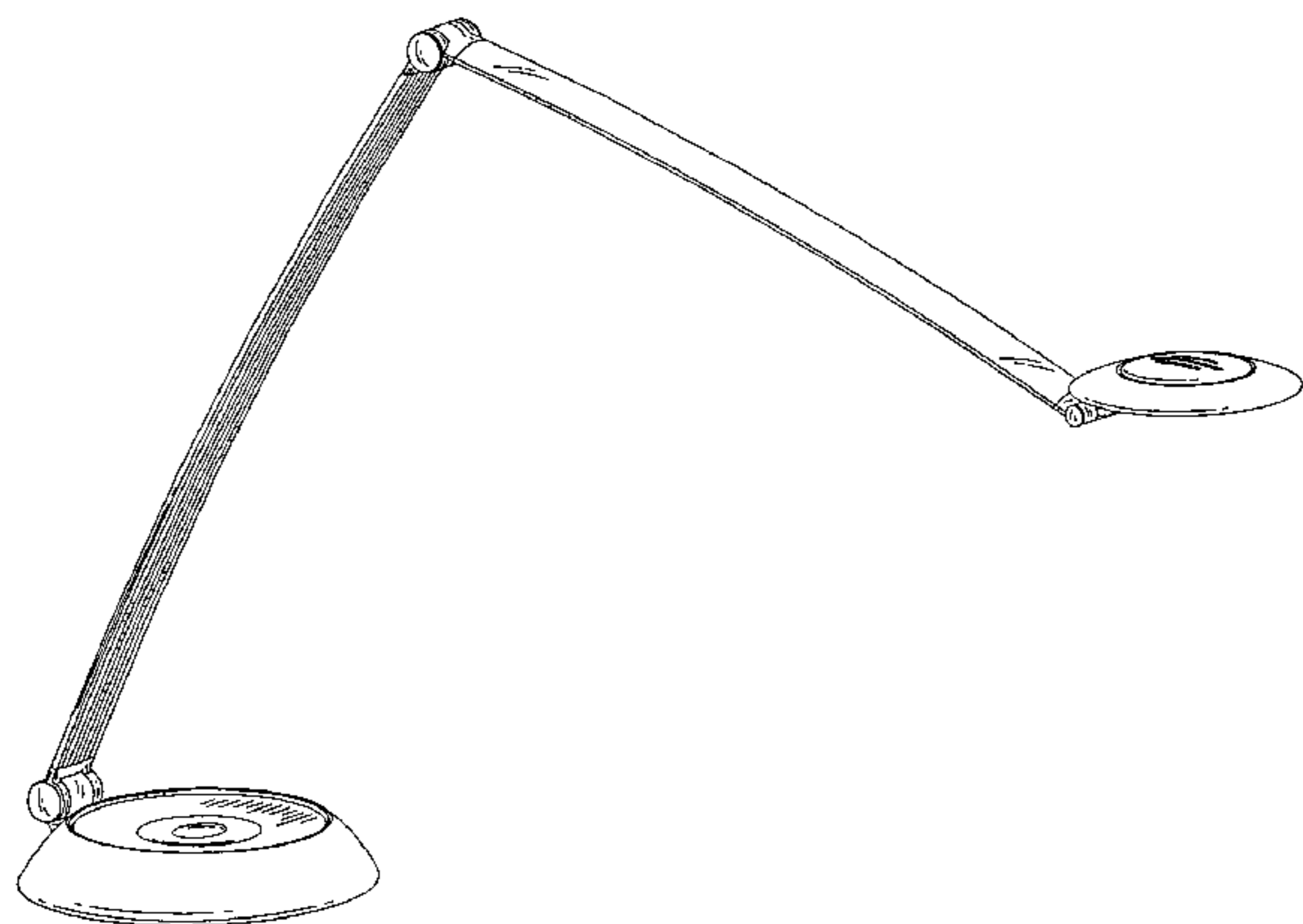
FIG. 4. is a left side elevational view thereof;

FIG. 5. is a right side elevational view thereof;

FIG. 6. is a top plan view thereof; and,

FIG. 7. is a bottom plan view thereof.

1 Claim, 5 Drawing Sheets



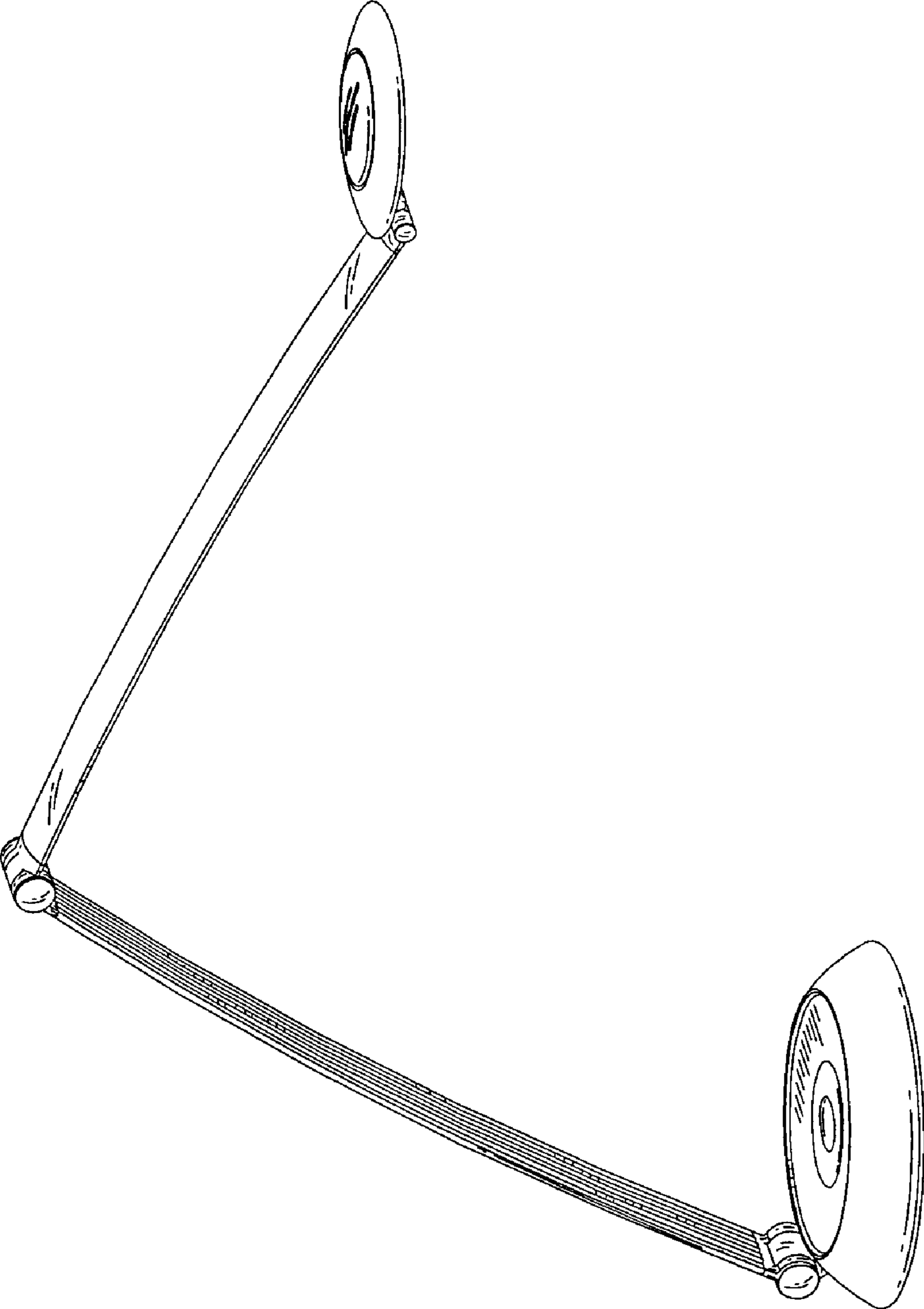


FIG. 1

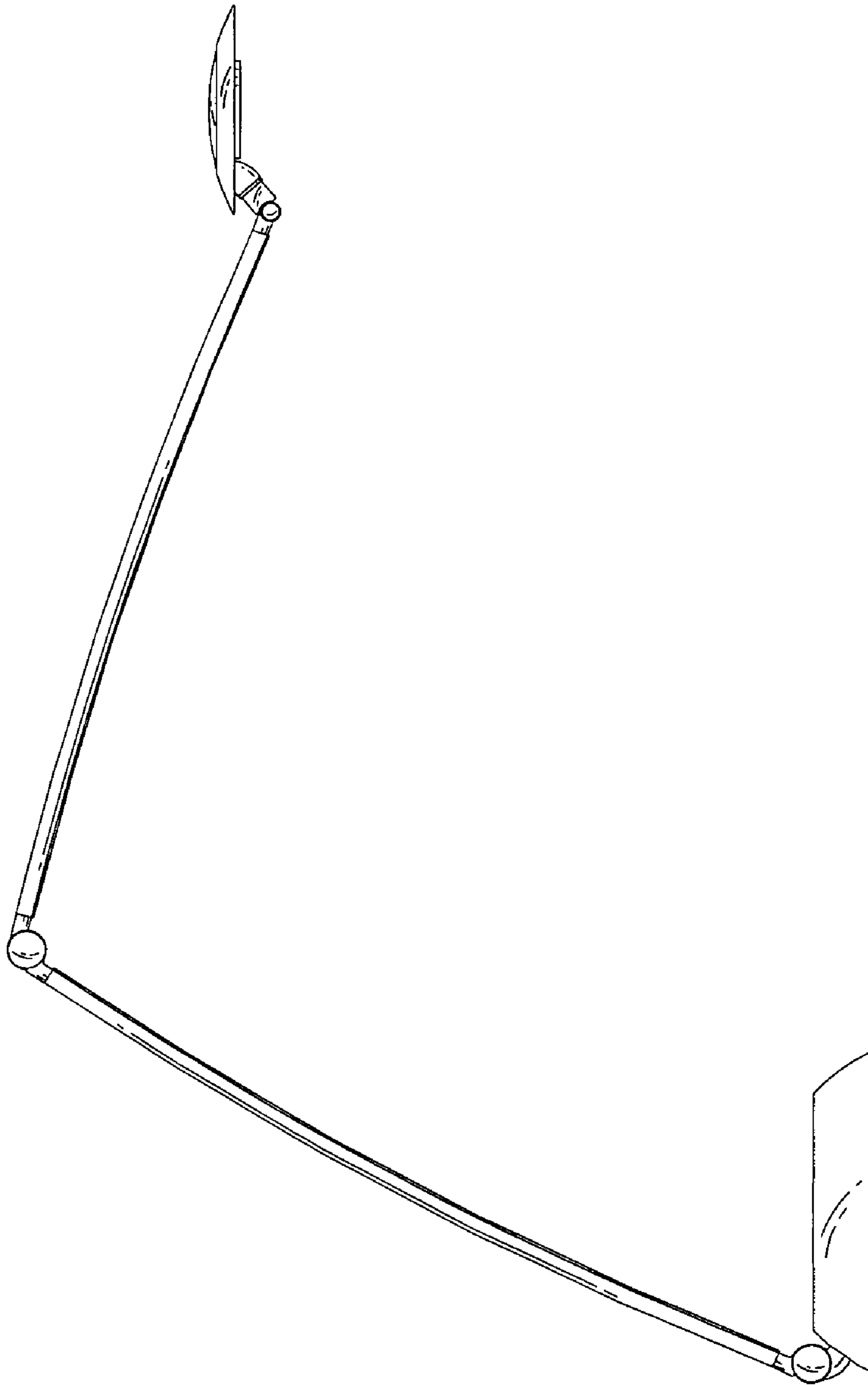


FIG. 2

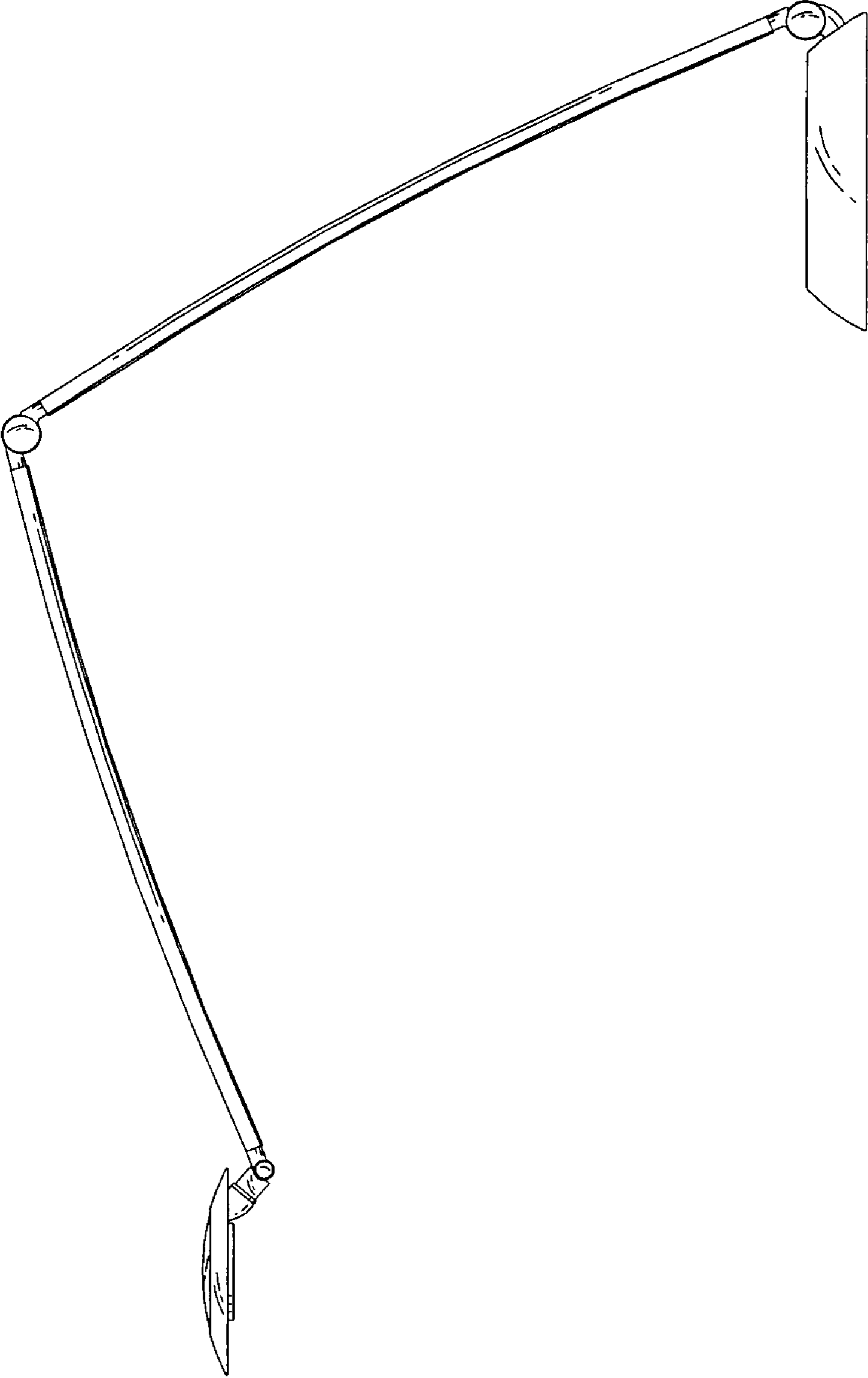


FIG.3

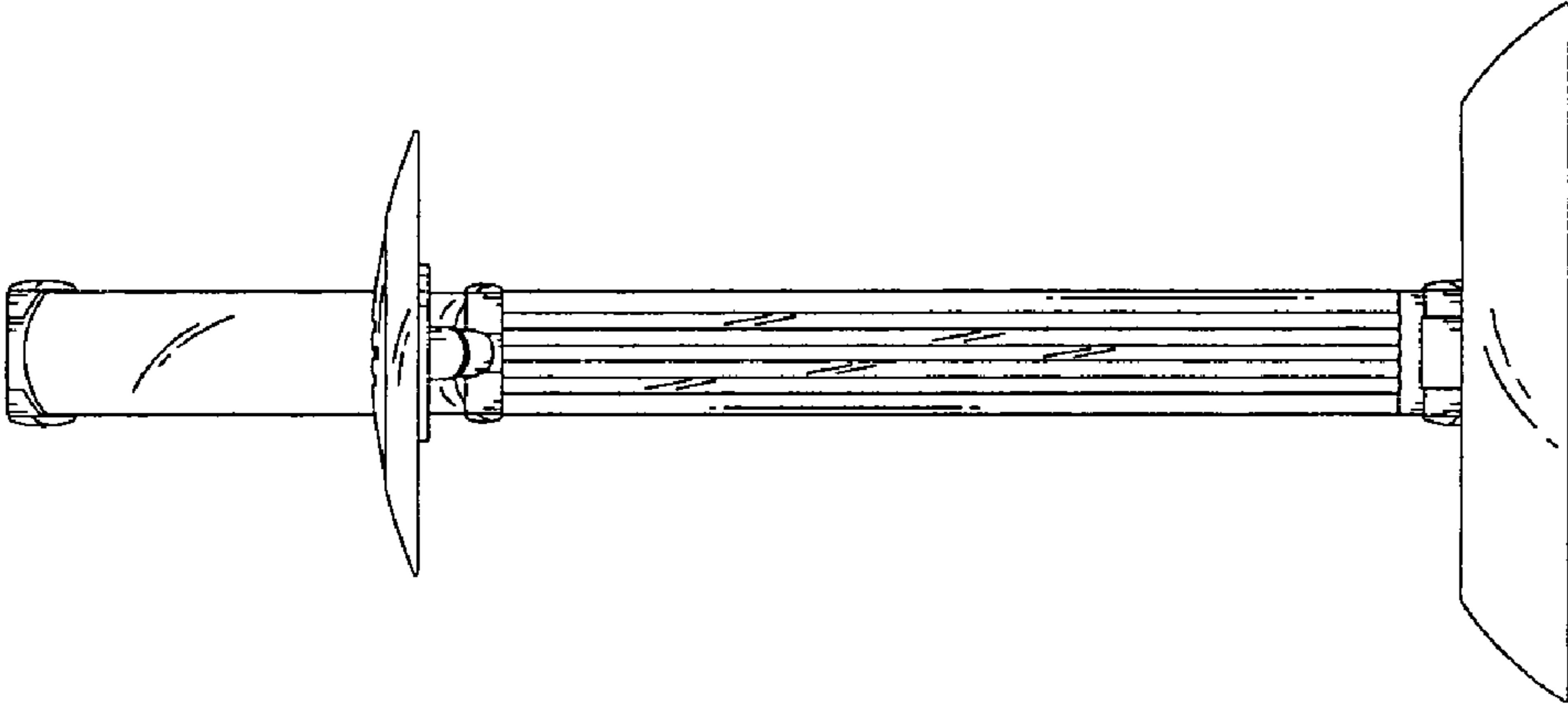


FIG.5

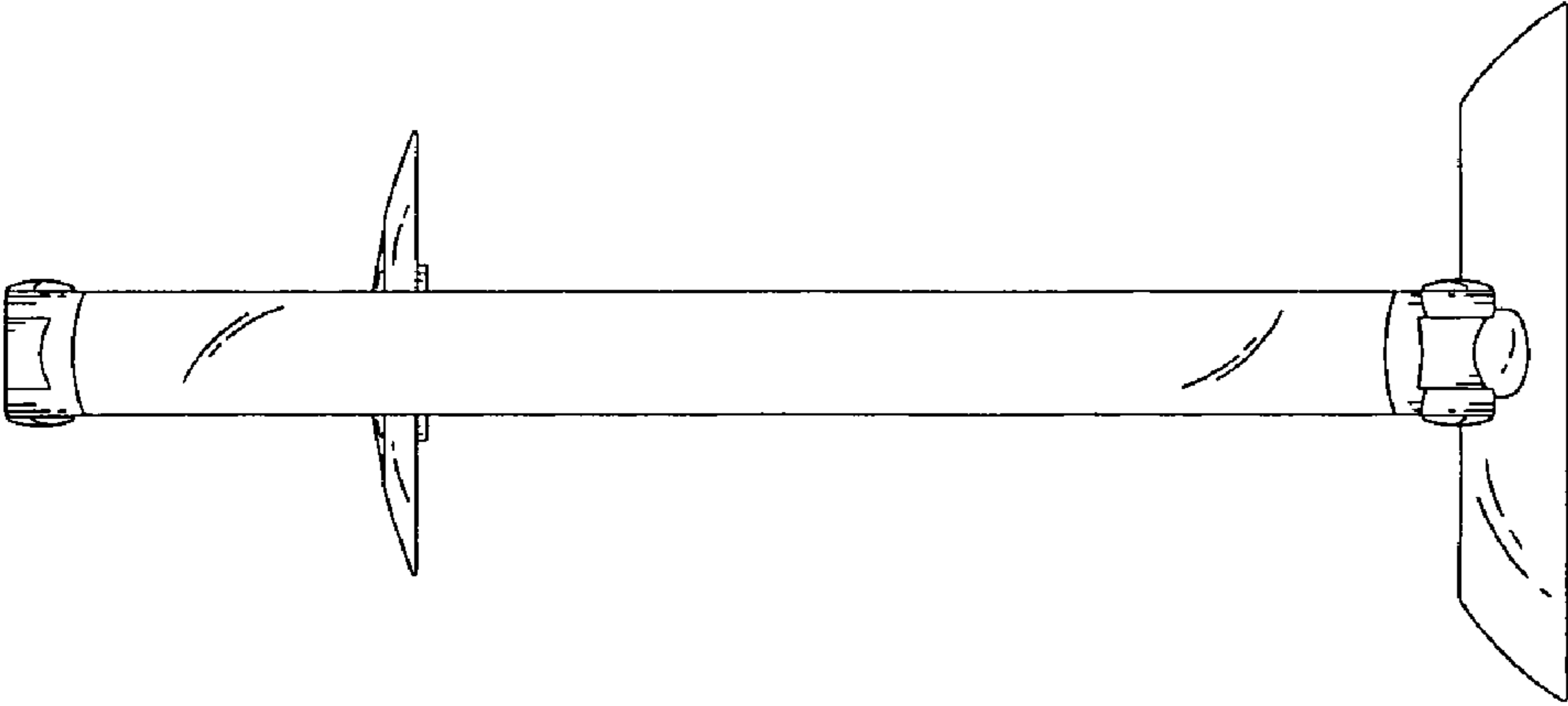


FIG.4

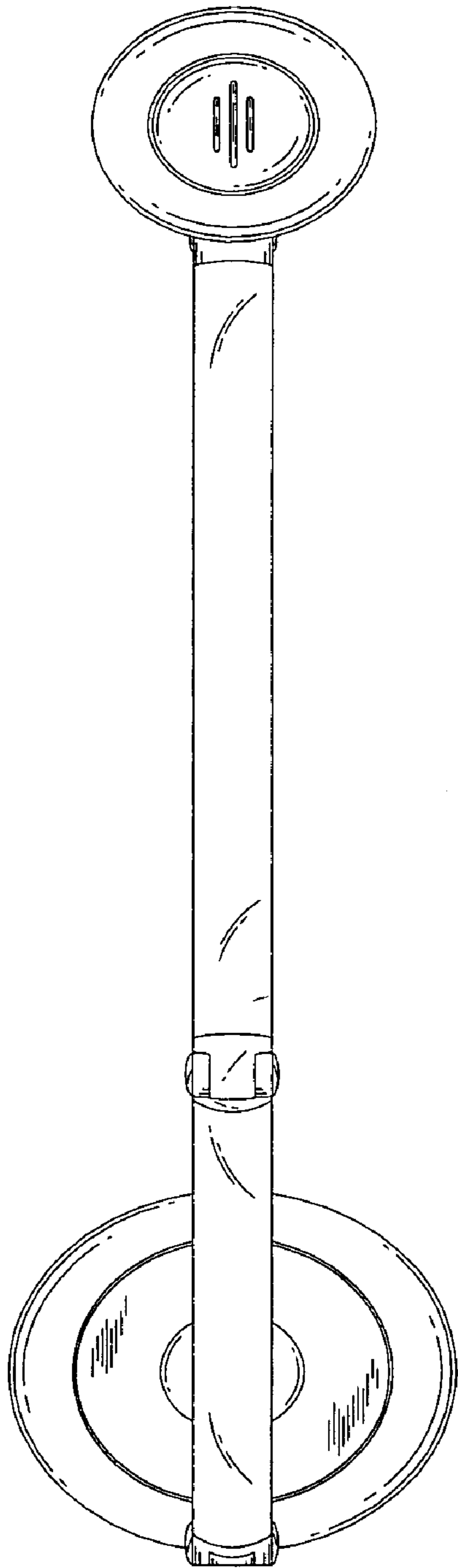


FIG. 6

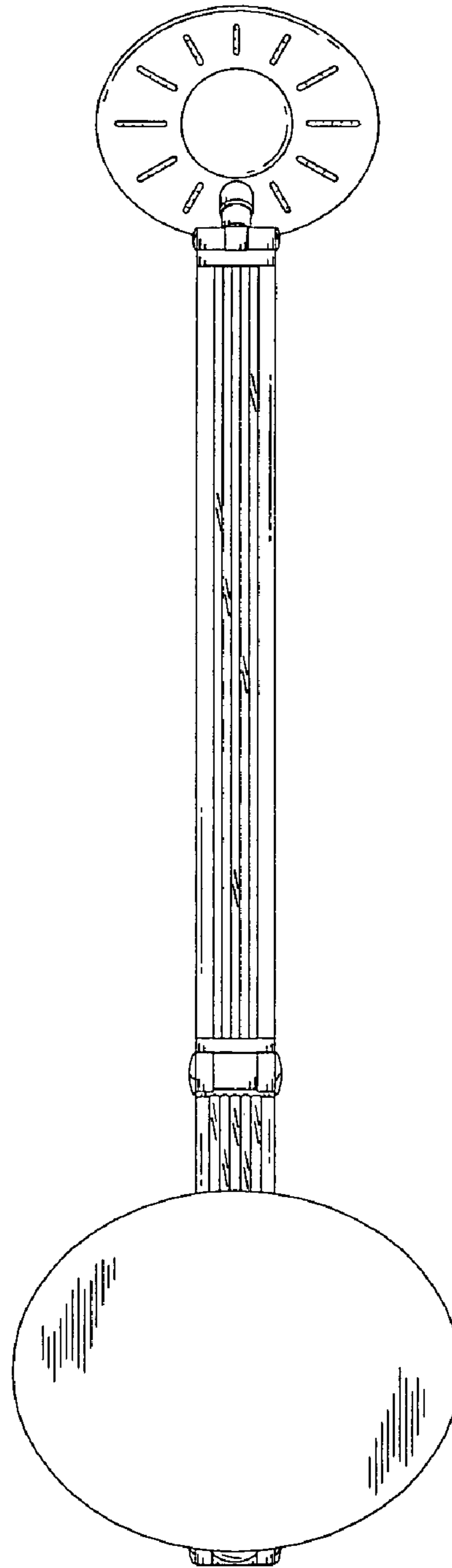


FIG. 7