



US00D623333S

(12) **United States Design Patent**
Huang

(10) **Patent No.:** **US D623,333 S**

(45) **Date of Patent:** **** Sep. 7, 2010**

(54) **TABLE LAMP**

(75) Inventor: **Huo-Tu Huang**, Taipei County (TW)

(73) Assignee: **Huangslite Industrial Co., Ltd.**, Taipei Hsien (TW)

(**) Term: **14 Years**

(21) Appl. No.: **29/347,665**

(22) Filed: **Apr. 6, 2010**

(51) **LOC (9) Cl.** **26-05**

(52) **U.S. Cl.** **D26/65**

(58) **Field of Classification Search** D26/61-65,
D26/107; 362/269, 275, 285, 371, 410, 413,
362/414, 418, 419, 427

See application file for complete search history.

(56) **References Cited**

U.S. PATENT DOCUMENTS

- D315,804 S * 3/1991 Von Klier D26/65
- D345,027 S * 3/1994 Huang D26/65
- D348,536 S * 7/1994 Huang D26/107
- D348,742 S * 7/1994 Rorke et al. D26/51
- D382,362 S * 8/1997 Huang D26/65

- D517,713 S * 3/2006 Waldmann D26/60
- D568,520 S * 5/2008 Castellucci et al. D26/65
- D600,844 S * 9/2009 Thomson et al. D26/65
- D603,543 S * 11/2009 Huang et al. D26/63
- D606,693 S * 12/2009 Waldmann D26/65
- D612,972 S * 3/2010 Levine D26/63

* cited by examiner

Primary Examiner—Clare E Heflin

(57) **CLAIM**

The ornamental design for table lamp, as shown and described.

DESCRIPTION

FIG. 1. is a perspective view of table lamp showing my new design

FIG. 2. is a front elevational view thereof;

FIG. 3. is a rear elevational view thereof;

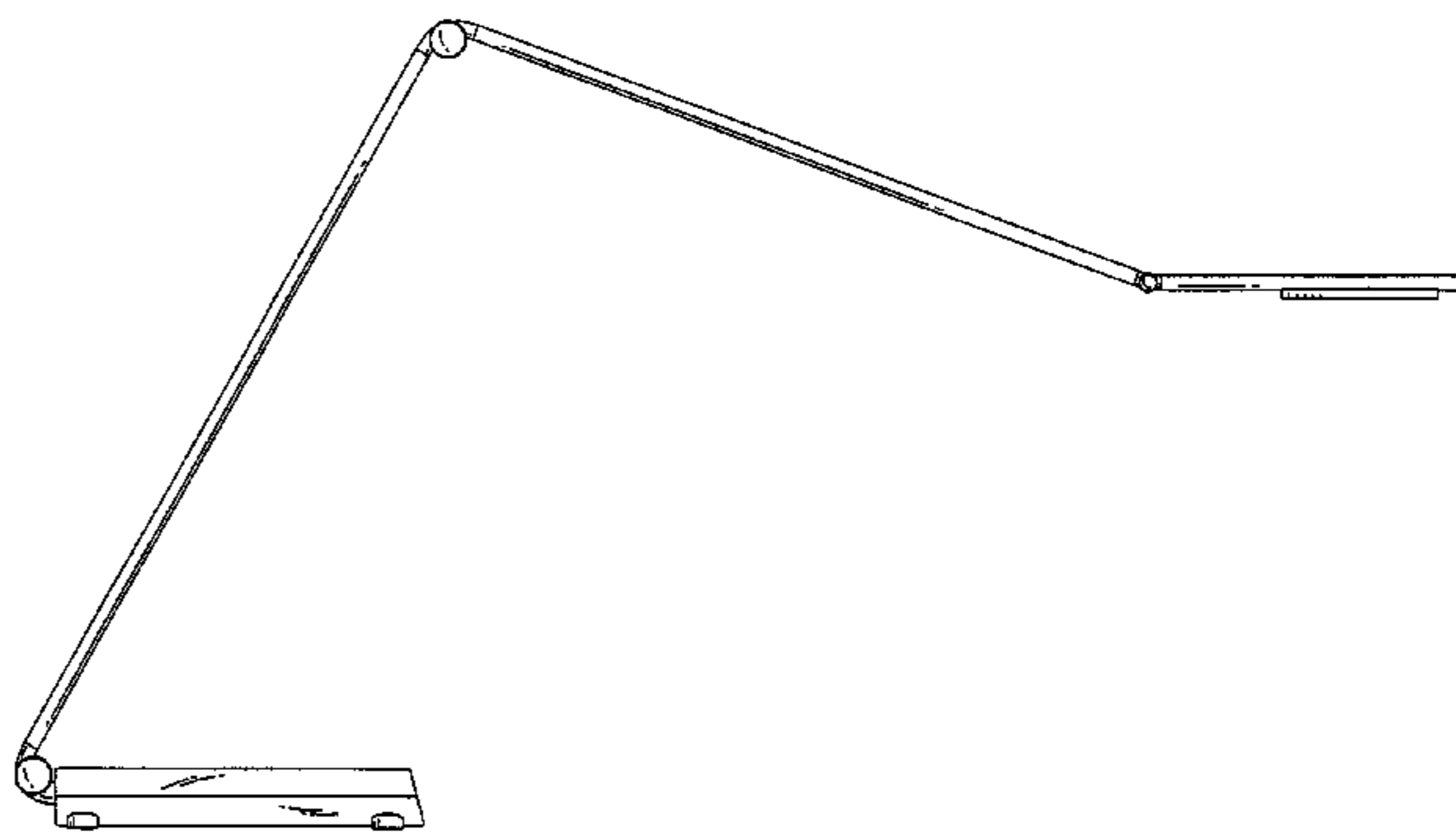
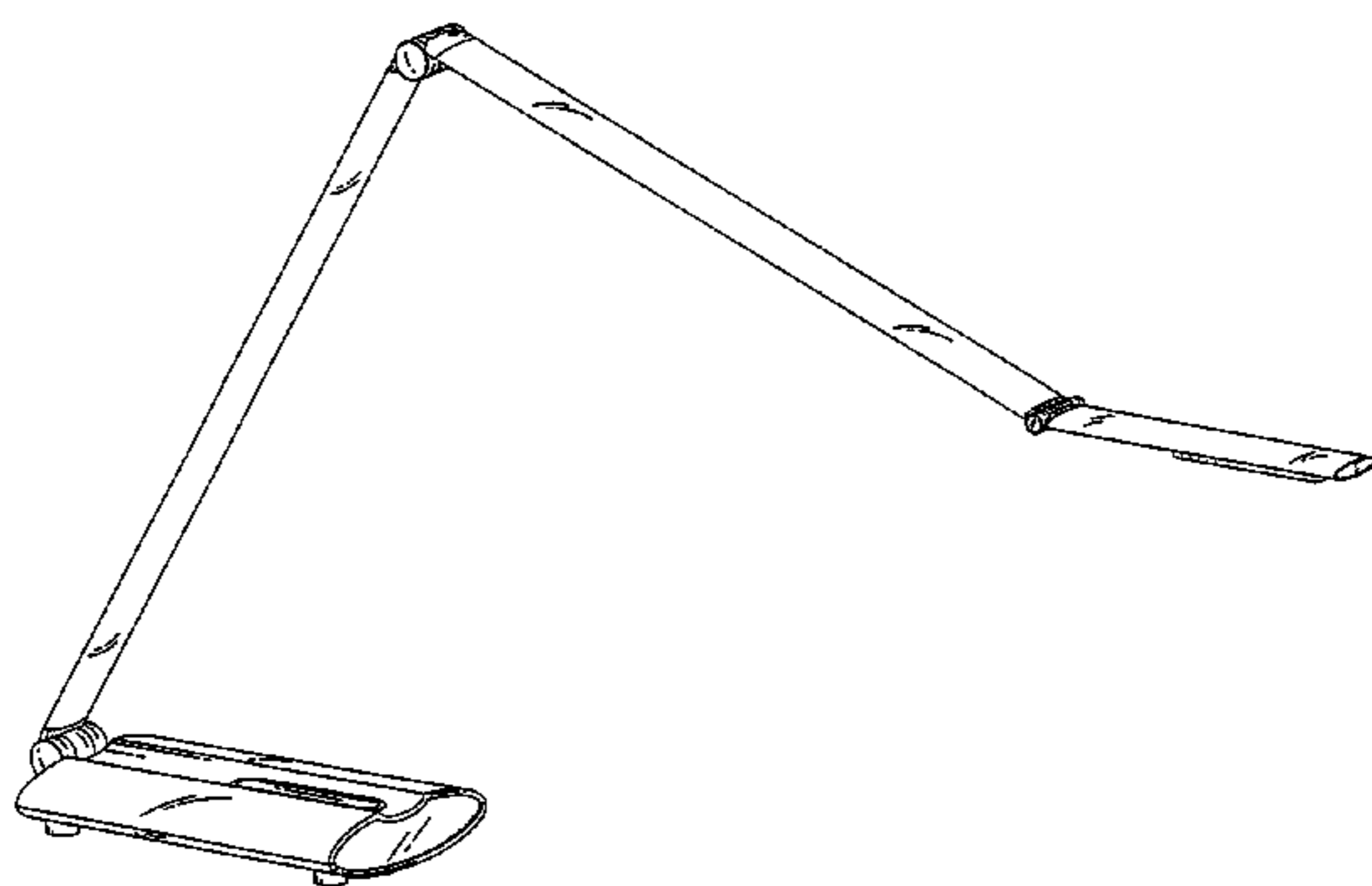
FIG. 4. is a left side elevational view thereof;

FIG. 5. is a right side elevational view thereof;

FIG. 6. is a top plan view thereof; and,

FIG. 7. is a bottom plan view thereof.

1 Claim, 5 Drawing Sheets



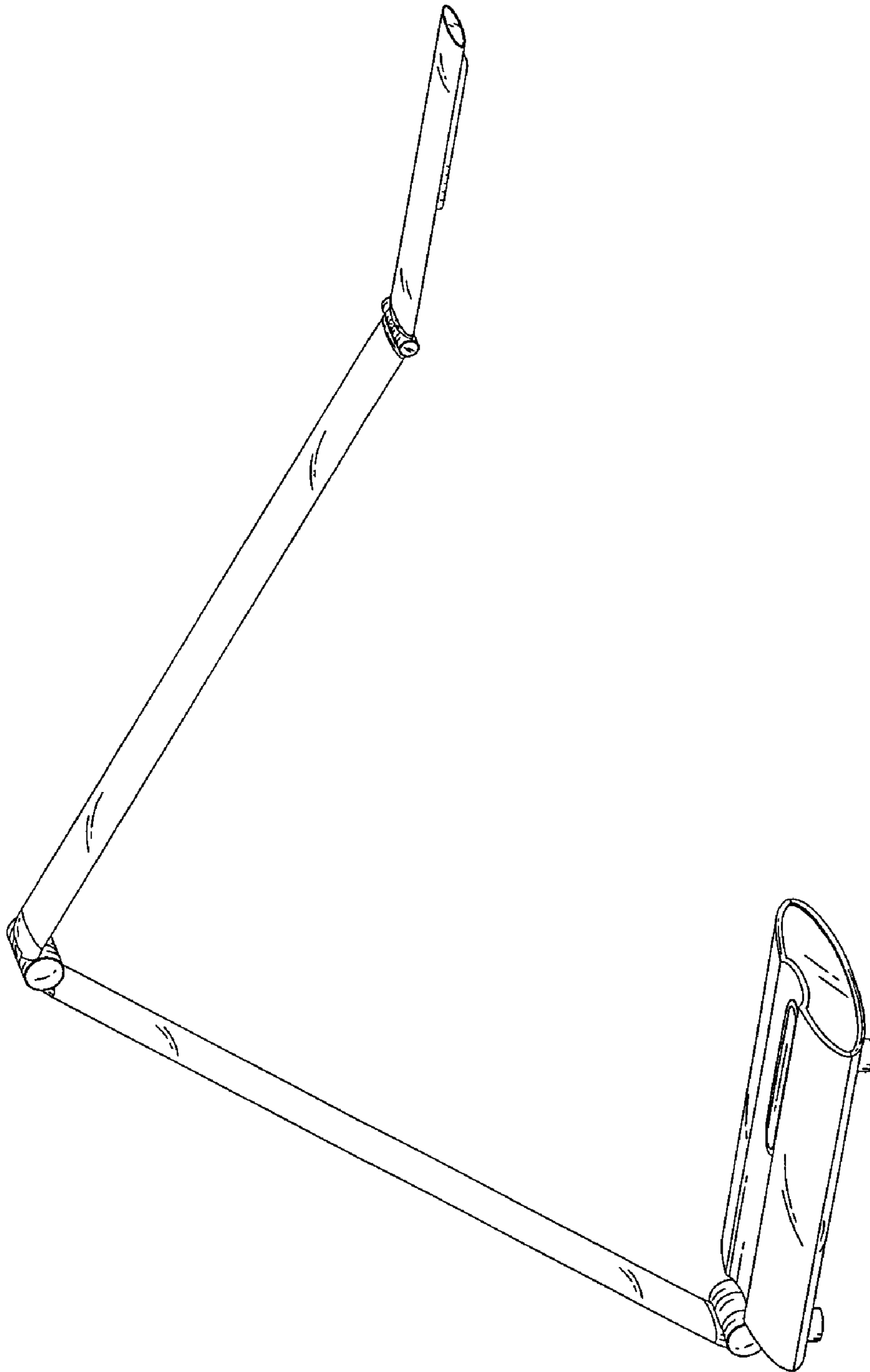


FIG. 1

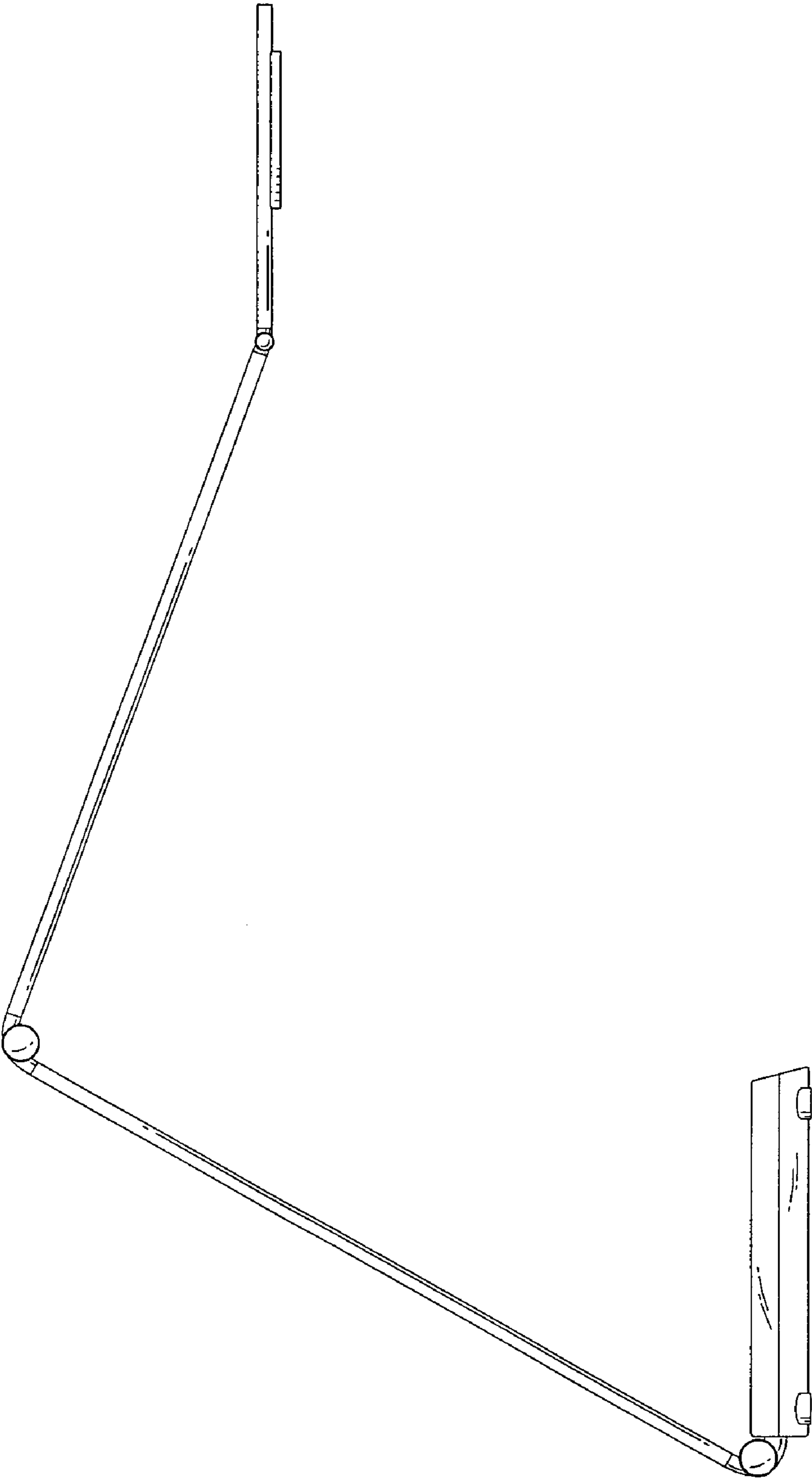


FIG. 2

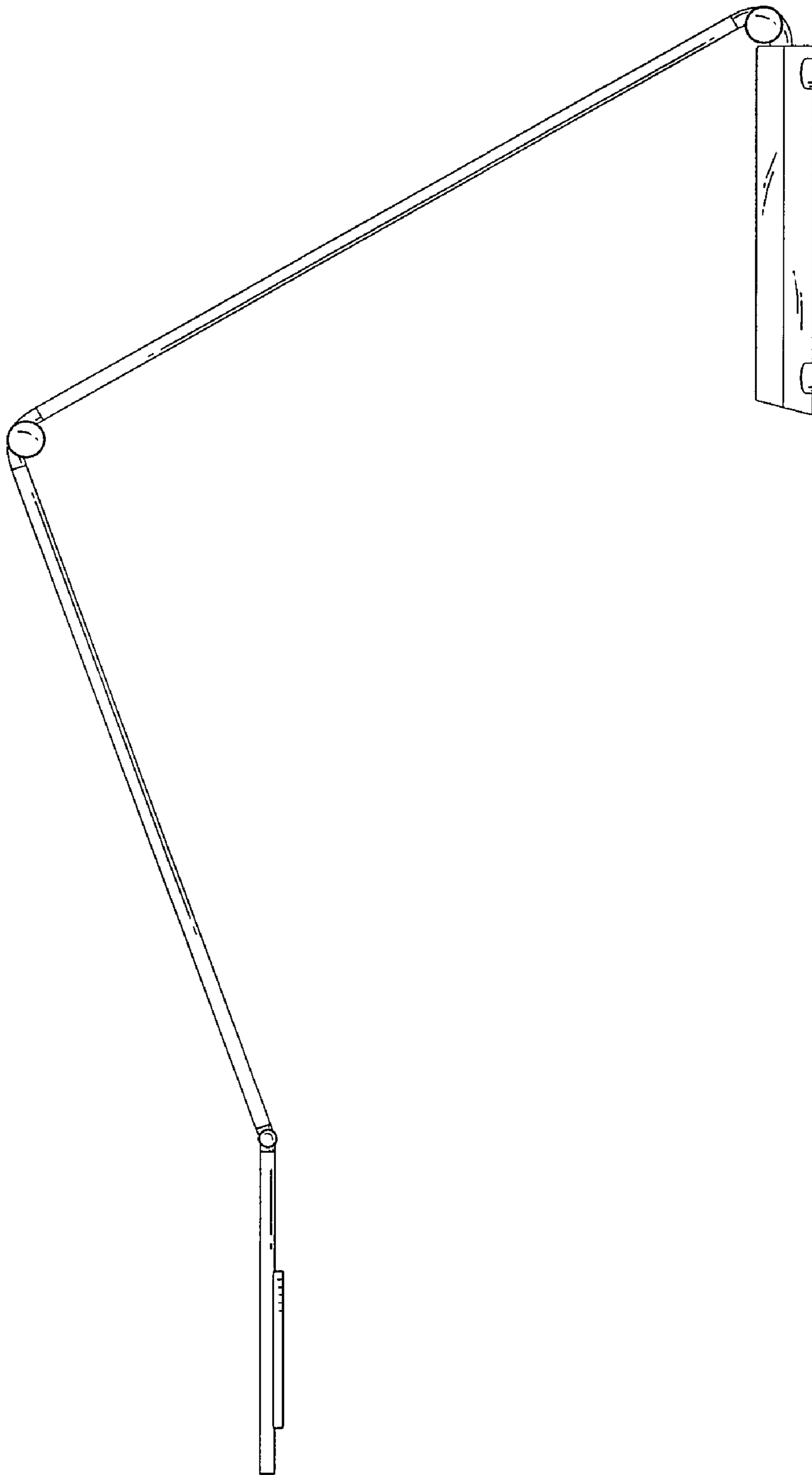


FIG. 3

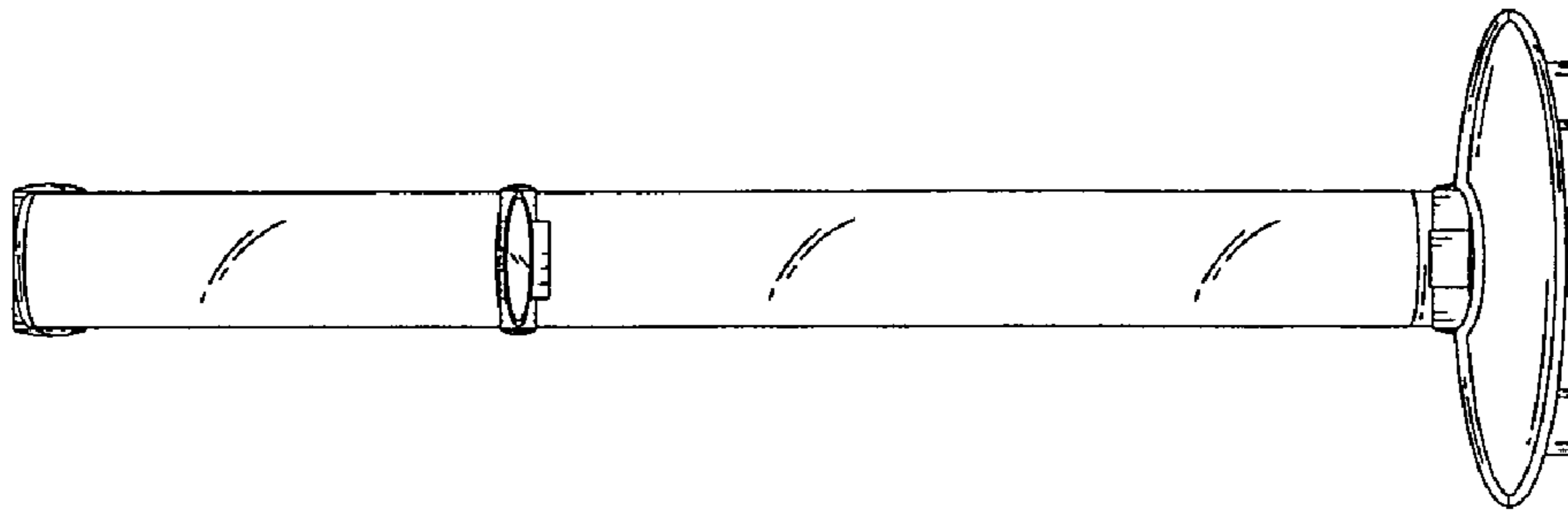


FIG. 5

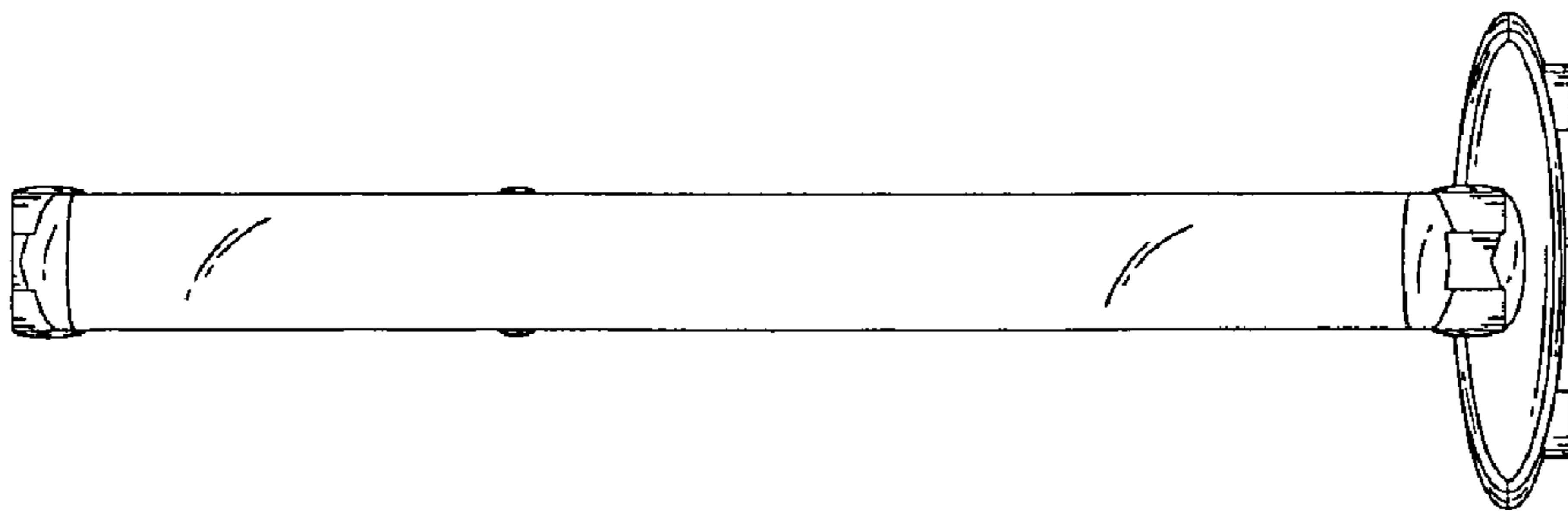


FIG. 4

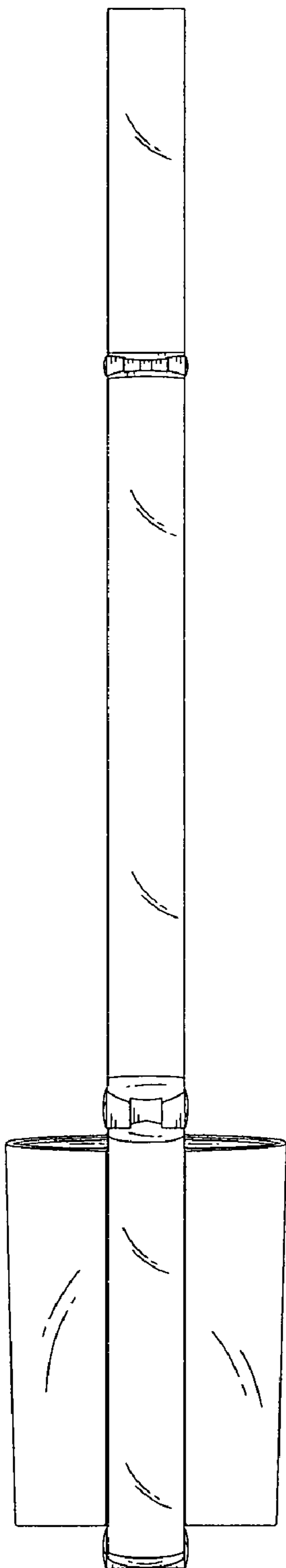


FIG. 6

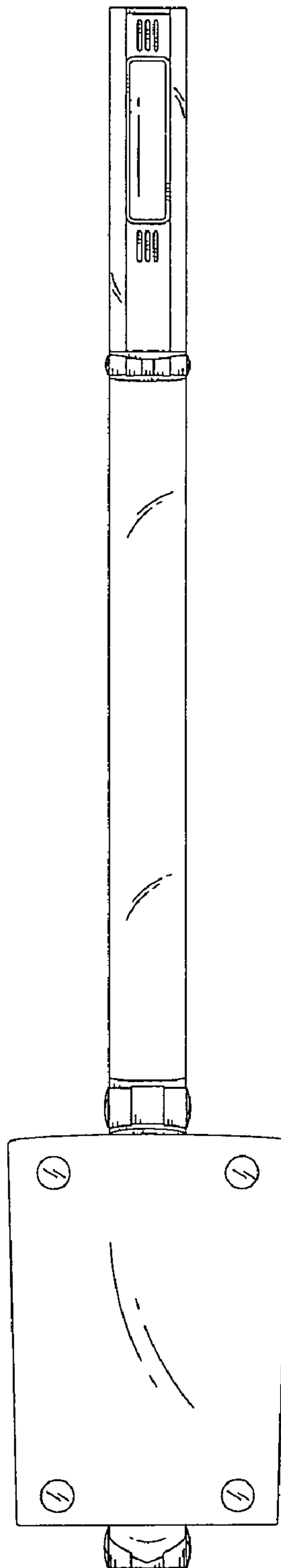


FIG. 7