



US00D623332S

(12) **United States Design Patent**
Huang

(10) **Patent No.:** **US D623,332 S**

(45) **Date of Patent:** **** Sep. 7, 2010**

(54) **TABLE LAMP**

(75) Inventor: **Huo-Tu Huang**, Taipei County (TW)

(73) Assignee: **Huangslite Industrial Co., Ltd.**, Taipei Hsien (TW)

(**) Term: **14 Years**

(21) Appl. No.: **29/347,664**

(22) Filed: **Apr. 6, 2010**

(51) **LOC (9) Cl.** **26-05**

(52) **U.S. Cl.** **D26/65**

(58) **Field of Classification Search** D26/61-65,
D26/107; 362/269, 275, 285, 371, 410, 413,
362/414, 418, 419, 427
See application file for complete search history.

(56) **References Cited**

U.S. PATENT DOCUMENTS

D187,814 S *	5/1960	Thurston	D26/107
D330,605 S *	10/1992	Scarpa et al.	D26/63
D337,843 S *	7/1993	Huang	D26/65
5,339,233 A *	8/1994	Yang	362/402
5,422,802 A *	6/1995	Lin	362/269
D382,362 S *	8/1997	Huang	D26/65

D441,476 S *	5/2001	Mendelsohn et al.	D26/63
D448,879 S *	10/2001	Wang	D26/65
D490,926 S *	6/2004	Katsura et al.	D26/63
D521,672 S *	5/2006	Stephant	D26/65
D564,118 S *	3/2008	Wu	D26/63
D613,891 S *	4/2010	Huang	D26/63
2004/0105271 A1 *	6/2004	Chen	362/402

* cited by examiner

Primary Examiner—Clare E Heflin

(57) **CLAIM**

I claim the ornamental design for table lamp, as shown and described.

DESCRIPTION

FIG. 1. is a perspective view of table lamp showing my new design

FIG. 2. is a front elevational view thereof;

FIG. 3. is a rear elevational view thereof;

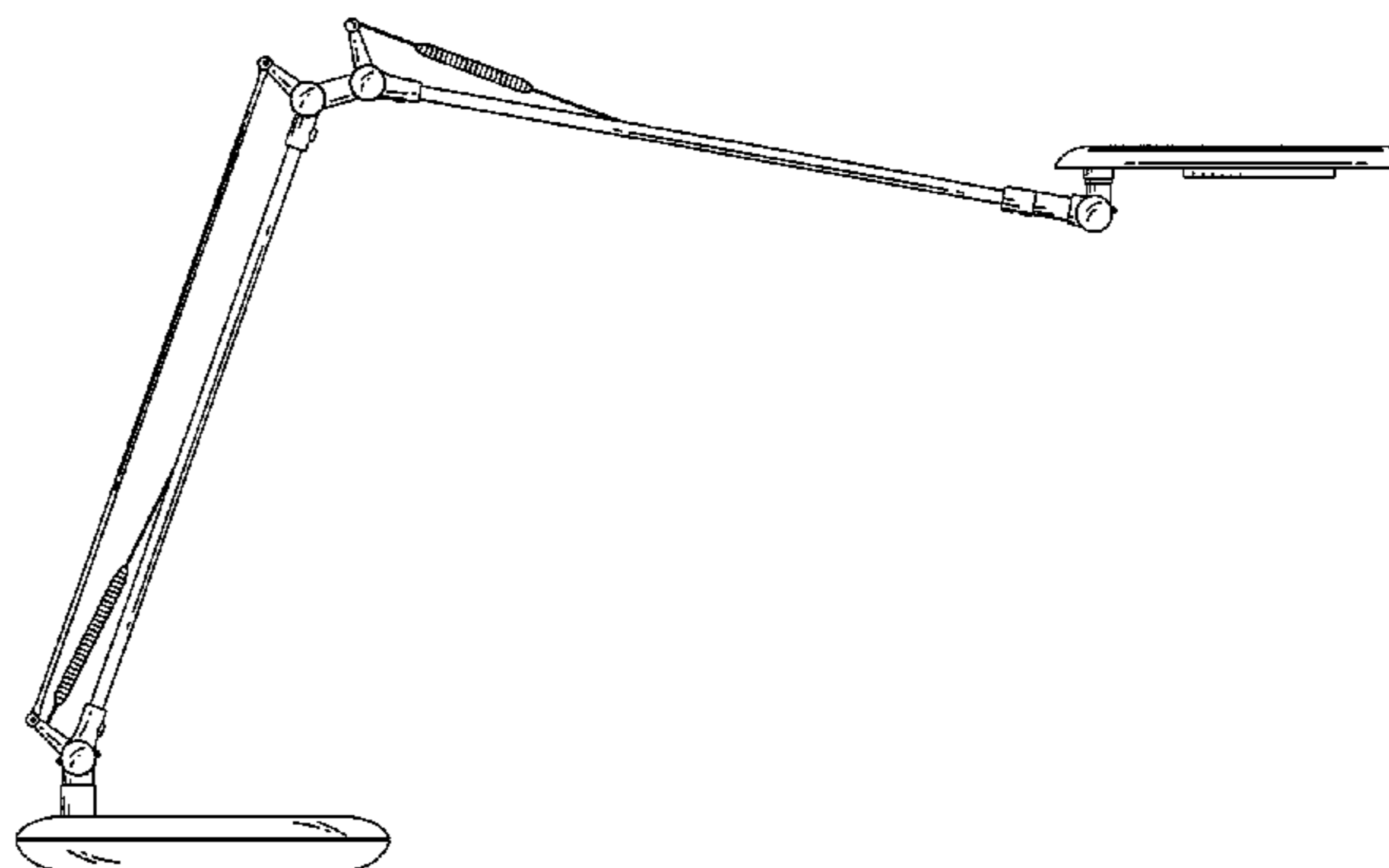
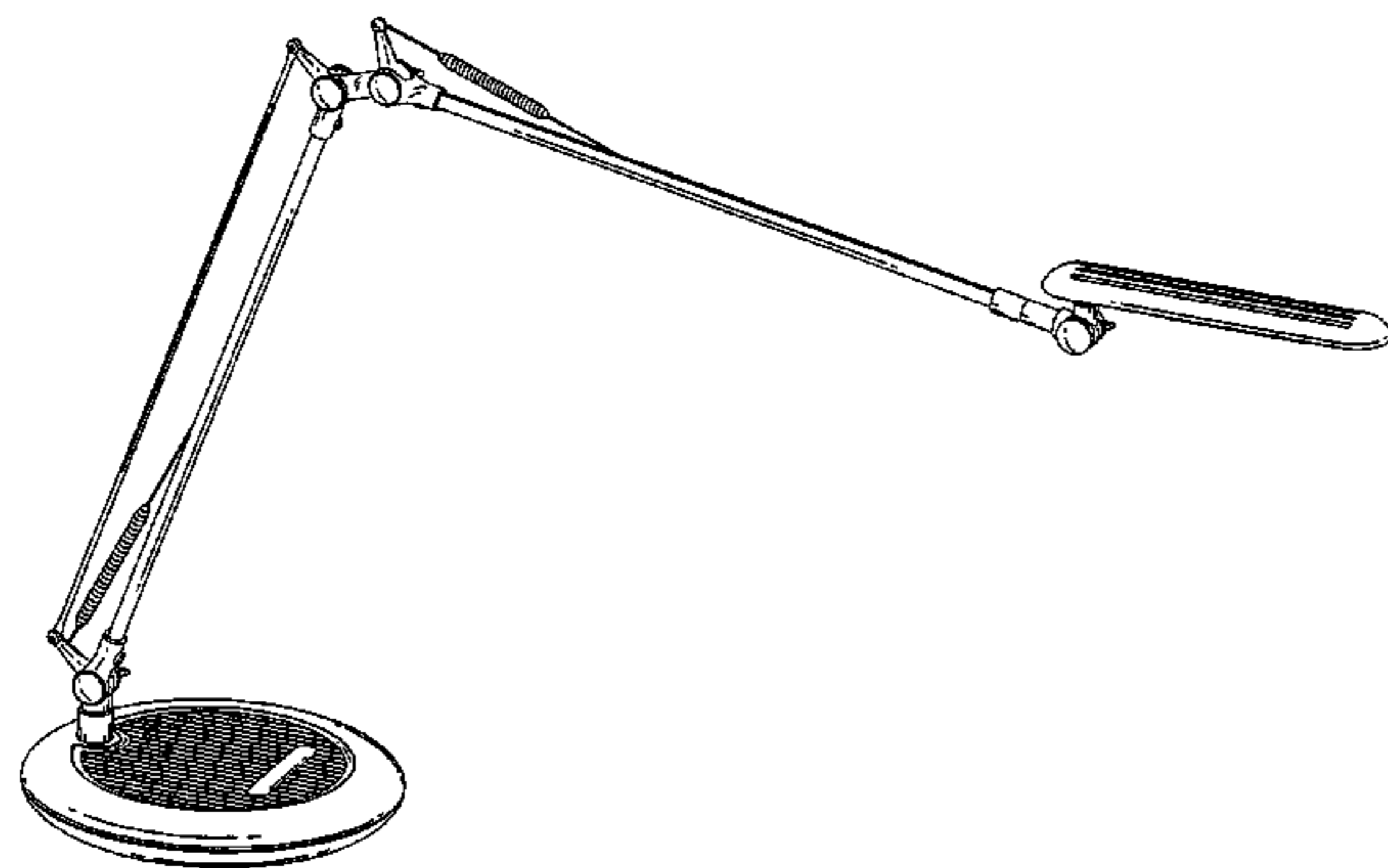
FIG. 4. is a left side elevational view thereof;

FIG. 5. is a right side elevational view thereof;

FIG. 6. is a top plan view thereof; and,

FIG. 7. is a bottom plan view thereof.

1 Claim, 5 Drawing Sheets



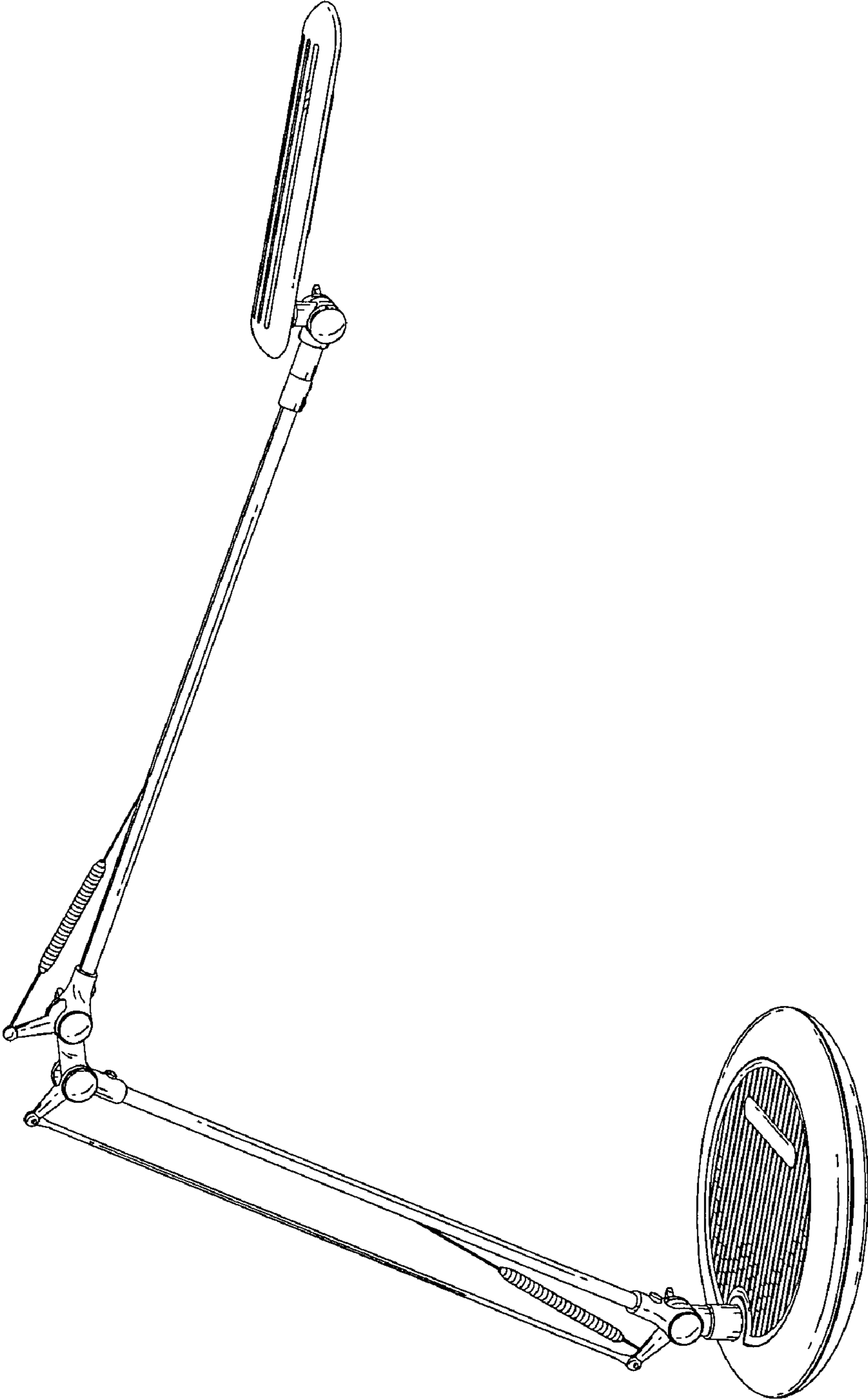


FIG. 1

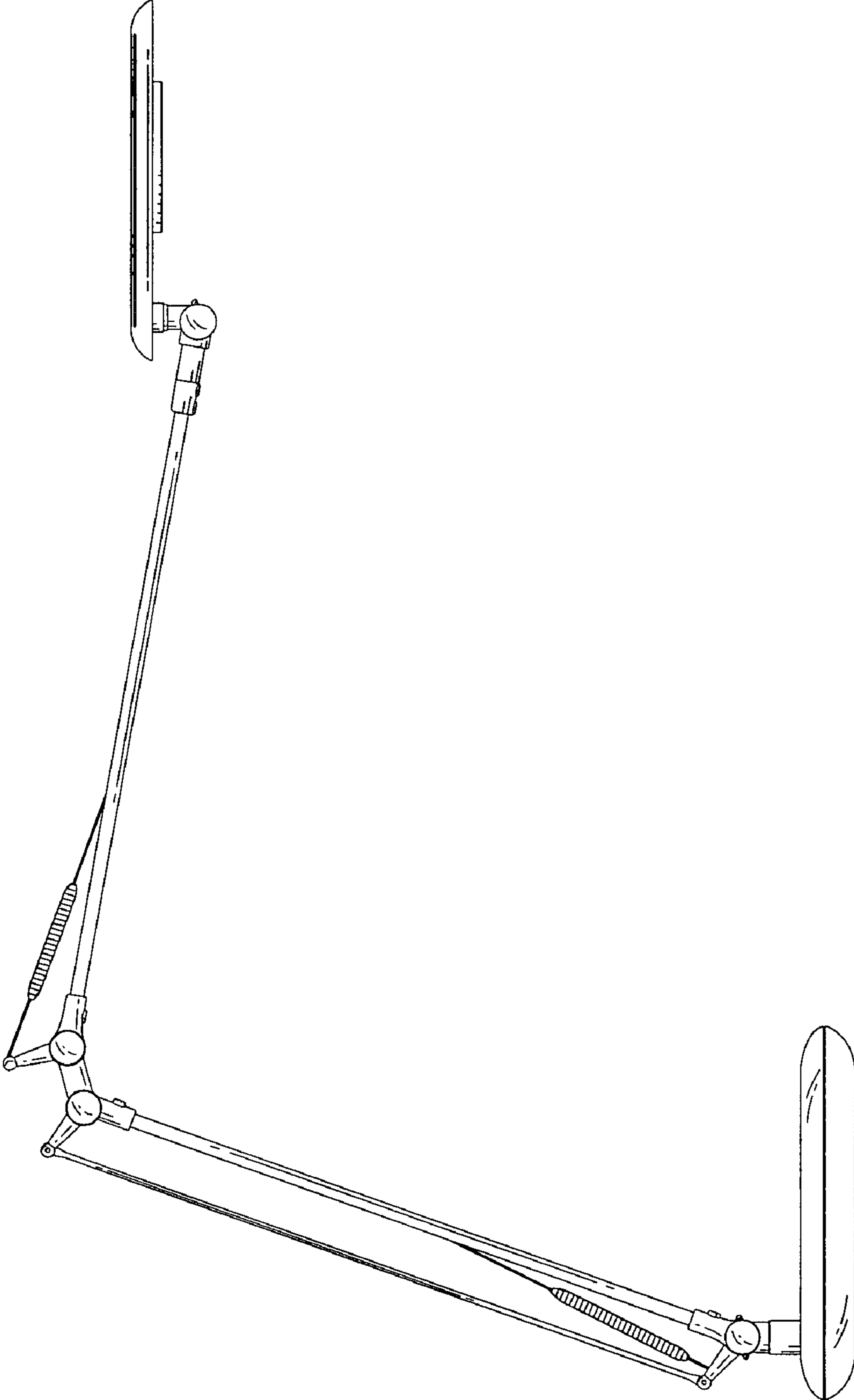


FIG. 2

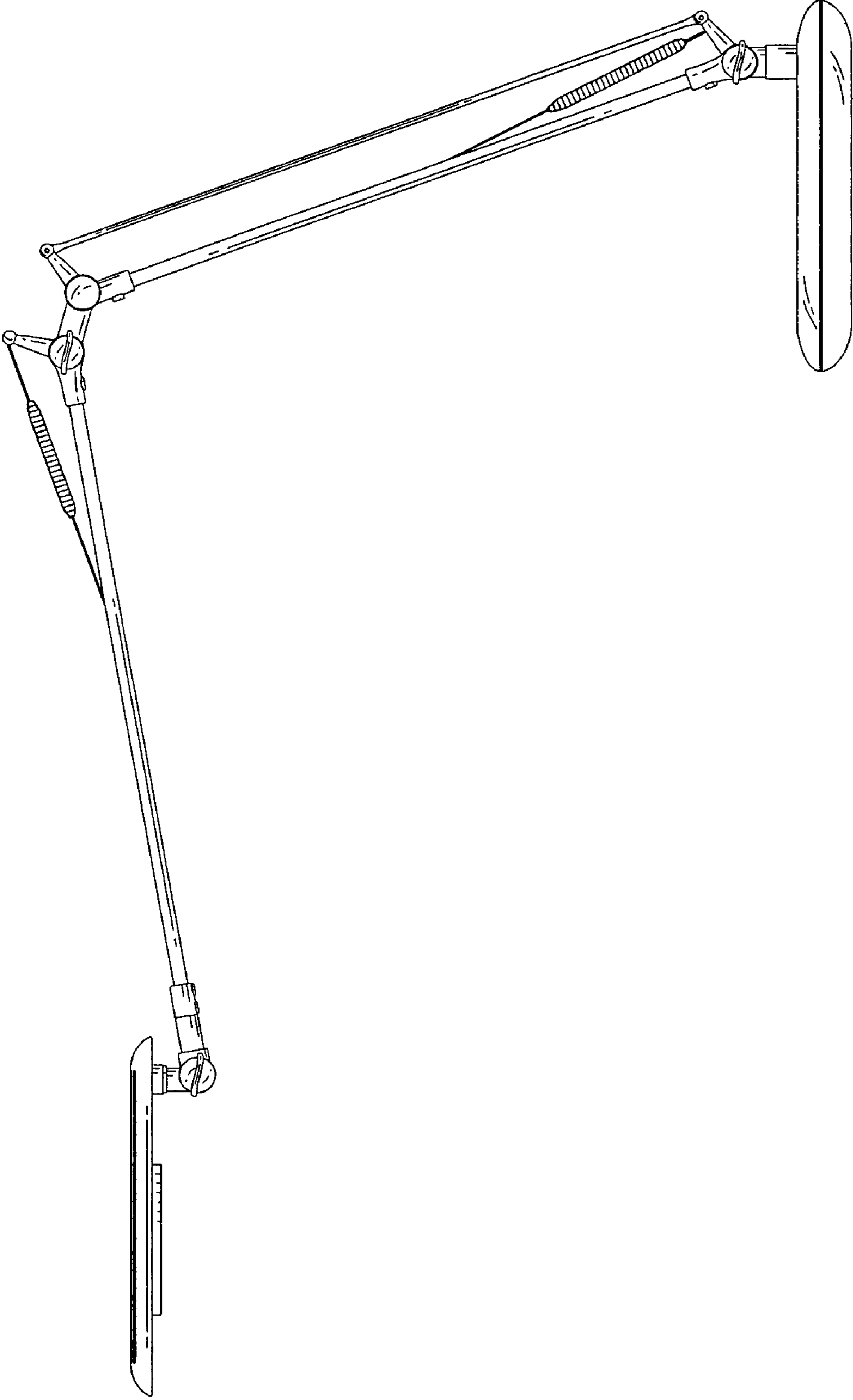


FIG. 3

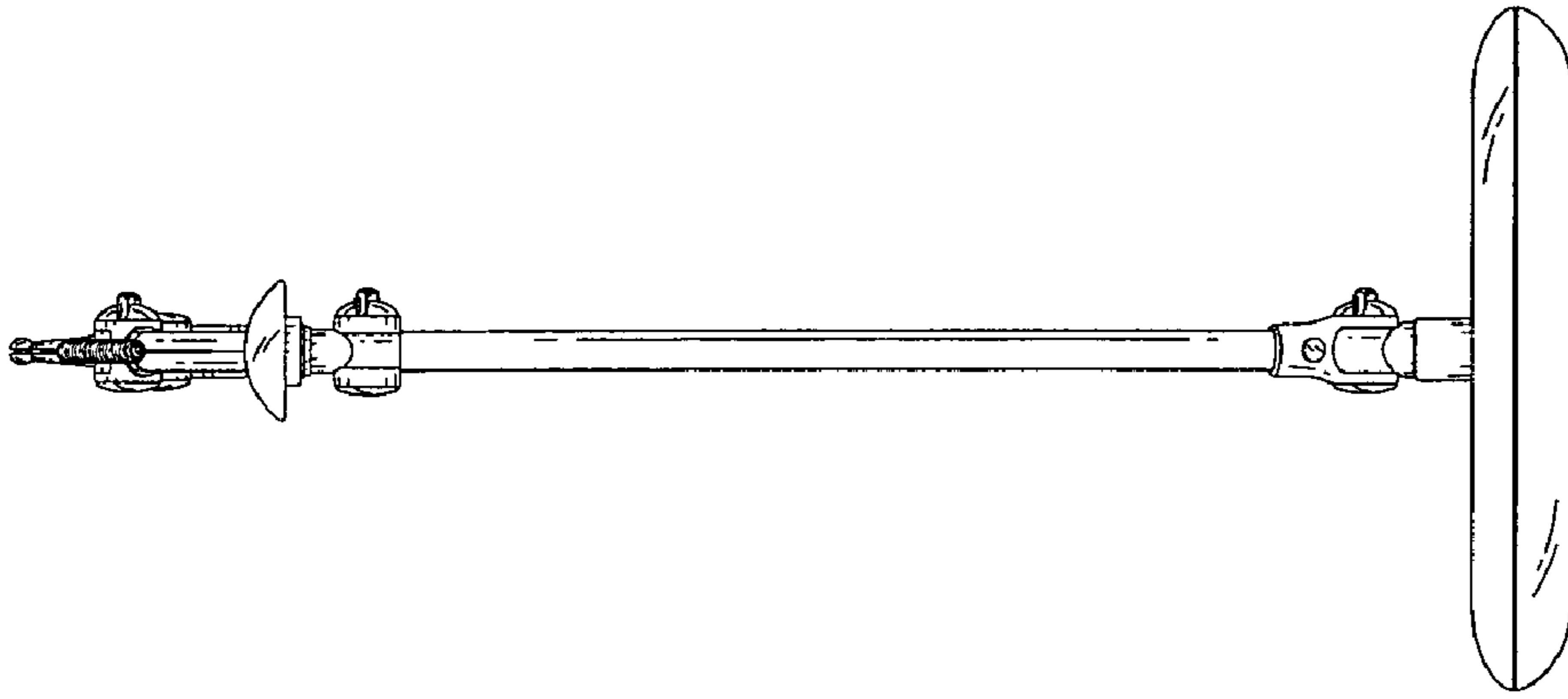


FIG. 5

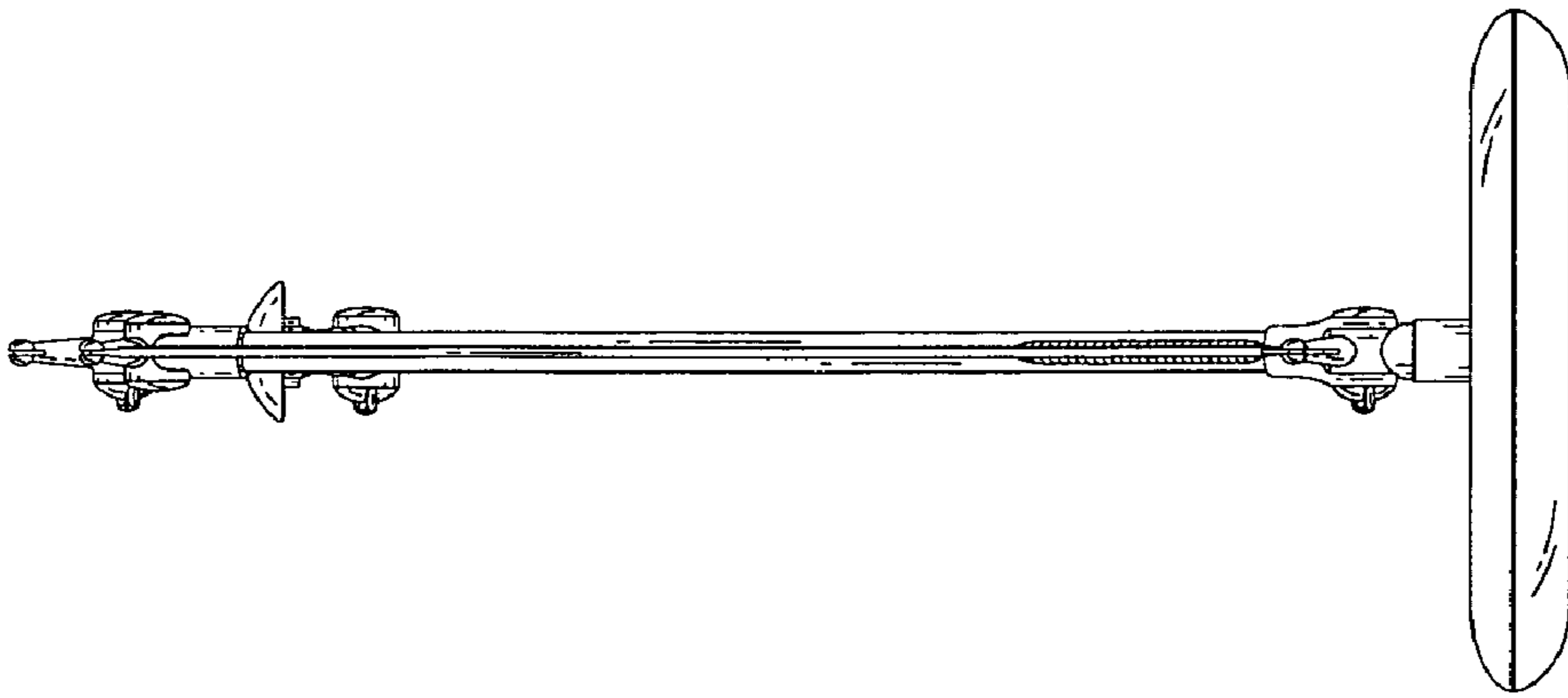


FIG. 4

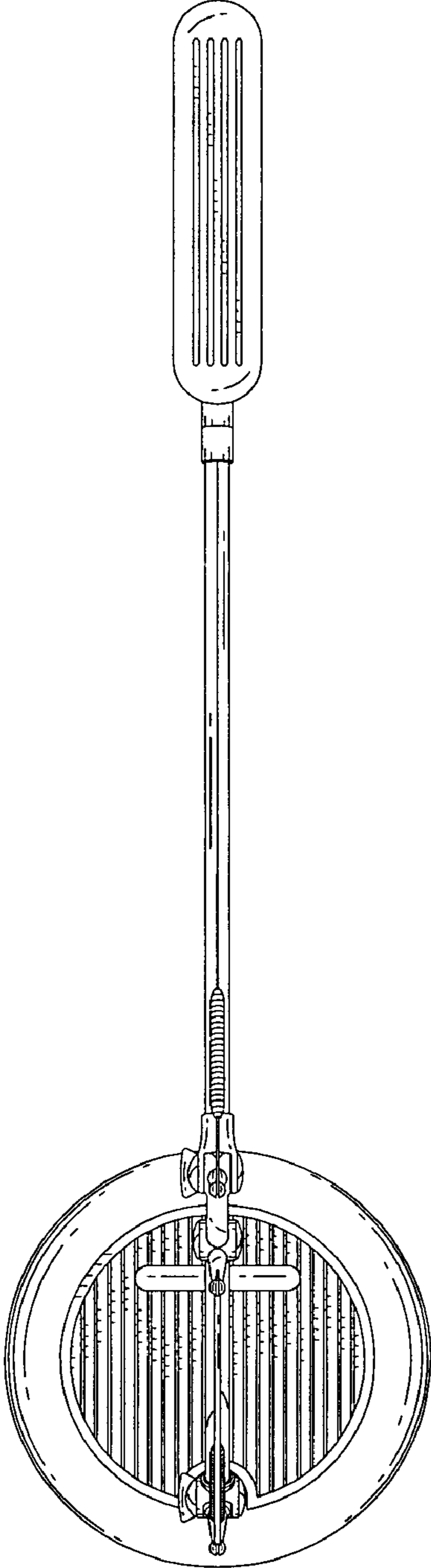


FIG. 6

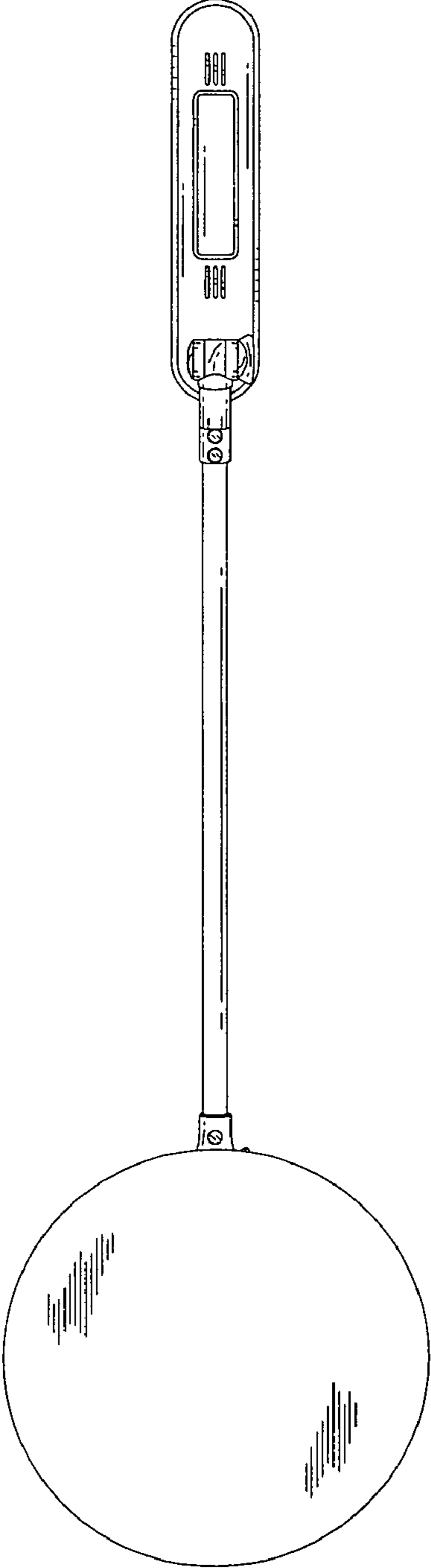


FIG. 7