



US00D623331S

(12) **United States Design Patent**
Rotwitt

(10) **Patent No.:** **US D623,331 S**
(45) **Date of Patent:** **** Sep. 7, 2010**

(54) **LIGHT FIXTURE MOUNTED ON TRIPOD STAND**

Wac Lighting, "Line Voltage", p. 199 of product brochure, 2009 (month unknown).

(76) Inventor: **Frederick Alan Rotwitt**, 381 Kintner Rd., Kintnersville, PA (US) 18930

* cited by examiner

(**) Term: **14 Years**

Primary Examiner—Susan M Lee

Assistant Examiner—Linda G. Brooks

(21) Appl. No.: **29/357,503**

(74) *Attorney, Agent, or Firm*—Howson & Howson LLP

(22) Filed: **Mar. 12, 2010**

(57) **CLAIM**

The ornamental design for a light fixture mounted on tripod stand, as shown.

(51) **LOC (9) Cl.** **26-05**

(52) **U.S. Cl.** **D26/63**

(58) **Field of Classification Search** D26/60–66,
D26/106–109, 111; 362/217.01–217.17,
362/253, 269, 270, 274, 277, 278, 281–290,
362/427–430, 418, 419, 410–414, 273, 280,
362/431

See application file for complete search history.

DESCRIPTION

FIG. 1 is a perspective view of a light fixture mounted on tripod stand according to my new design;

FIG. 2 is a front elevational view of the light fixture mounted on tripod stand of FIG. 1;

FIG. 3 is a left side elevational view of the light fixture mounted on tripod stand of FIG. 1;

FIG. 4 is a rear elevational view of the light fixture mounted on tripod stand of FIG. 1;

FIG. 5 is a right side elevational view of the light fixture mounted on tripod stand of FIG. 1;

FIG. 6 is a top plan view of the light fixture mounted on tripod stand of FIG. 1; and,

FIG. 7 is a bottom view of the light fixture mounted on tripod stand of FIG. 1.

(56) **References Cited**

U.S. PATENT DOCUMENTS

D178,893 S *	10/1956	Madawick	D26/65
D257,743 S *	12/1980	Tedesco	D26/104
D342,801 S *	12/1993	Poon	D26/63
D420,757 S *	2/2000	Peterson	D26/64
D450,149 S	11/2001	Leen		
D462,801 S *	9/2002	Huang	D26/63
6,474,844 B1	11/2002	Ching		
D475,800 S	6/2003	Reisbord		
D490,554 S	5/2004	Bayat et al.		
7,186,007 B1	3/2007	Rotwitt		

OTHER PUBLICATIONS

Wac Lighting, "Dark Bronze Additions", one page advertisement of track luminaries, 2009 (month unknown).

1 Claim, 6 Drawing Sheets

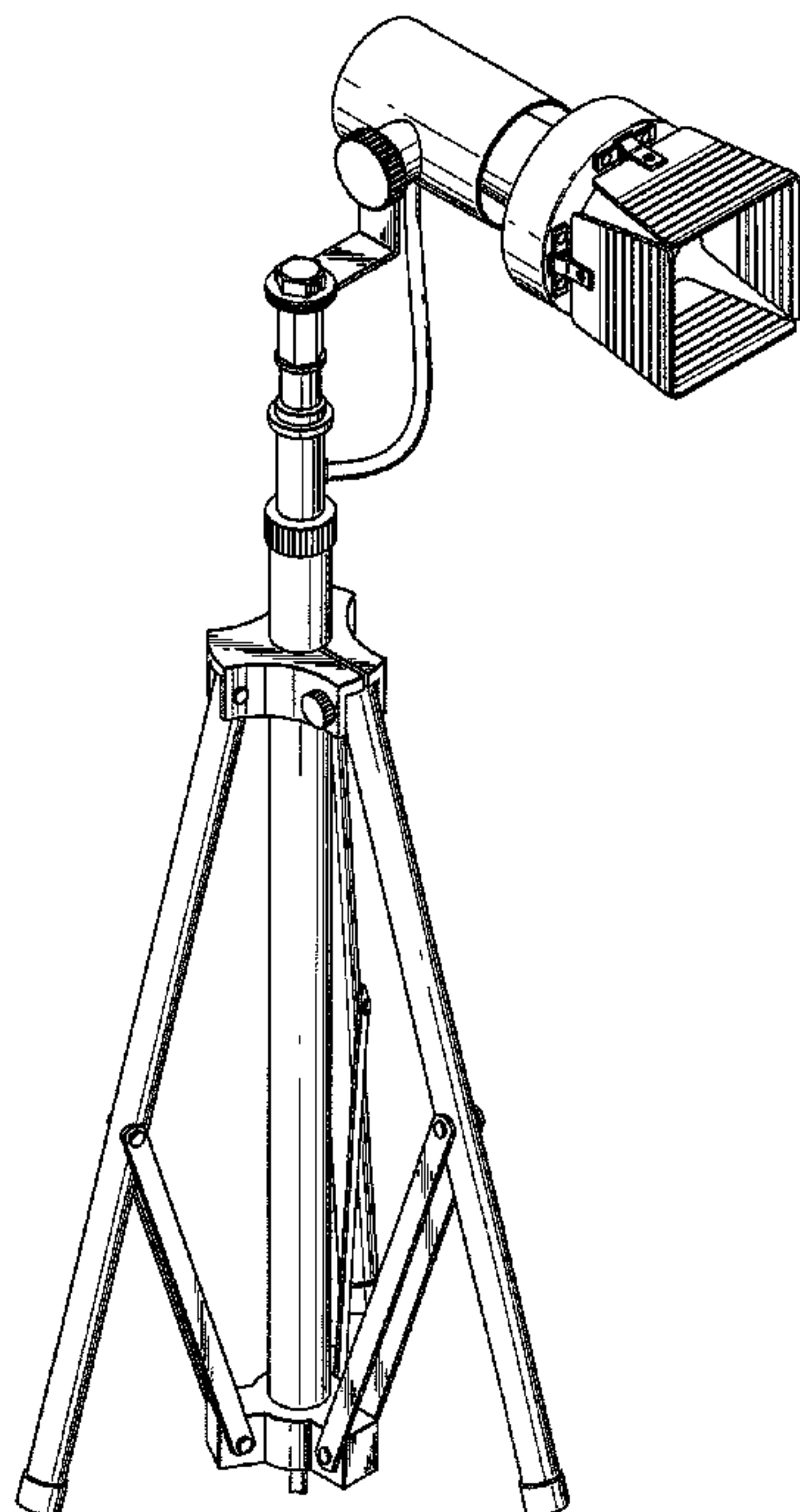


FIG. 1

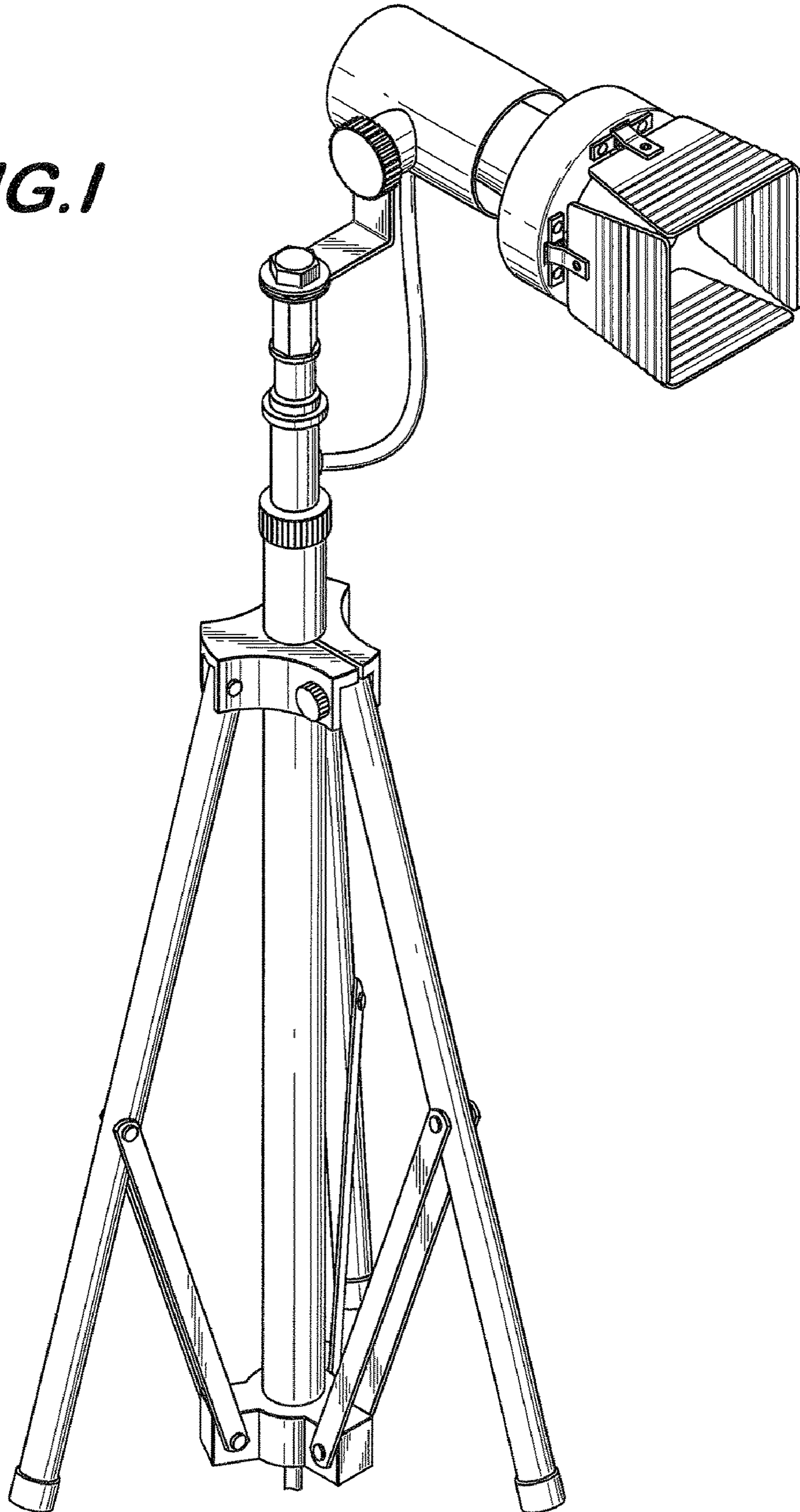
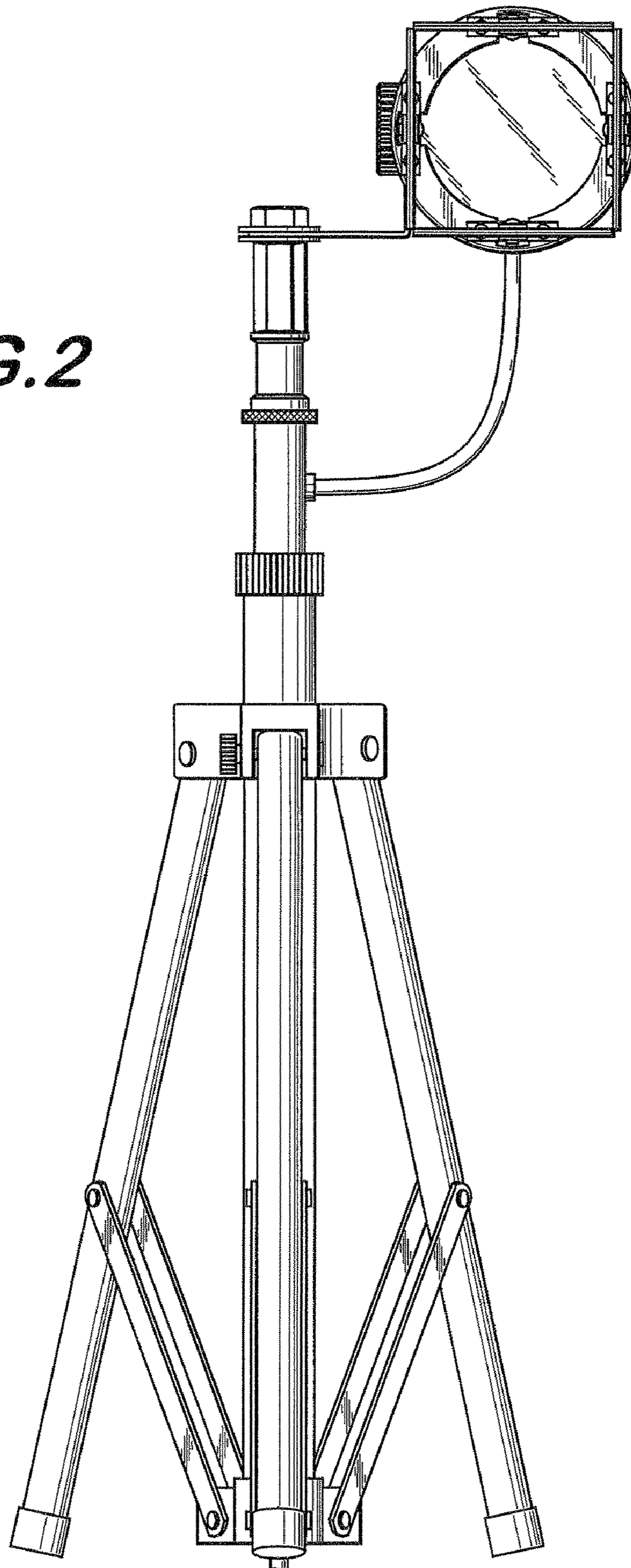


FIG. 2



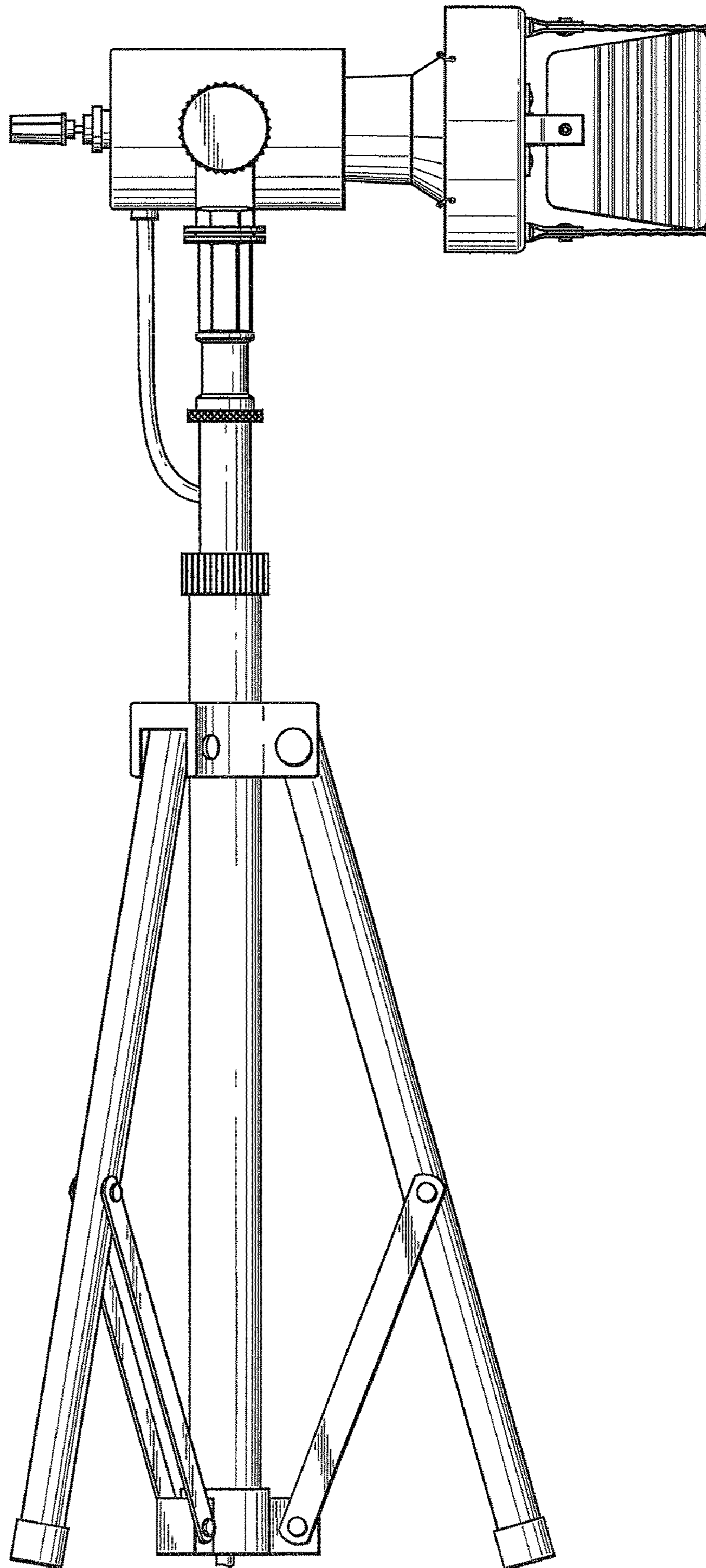


FIG. 3

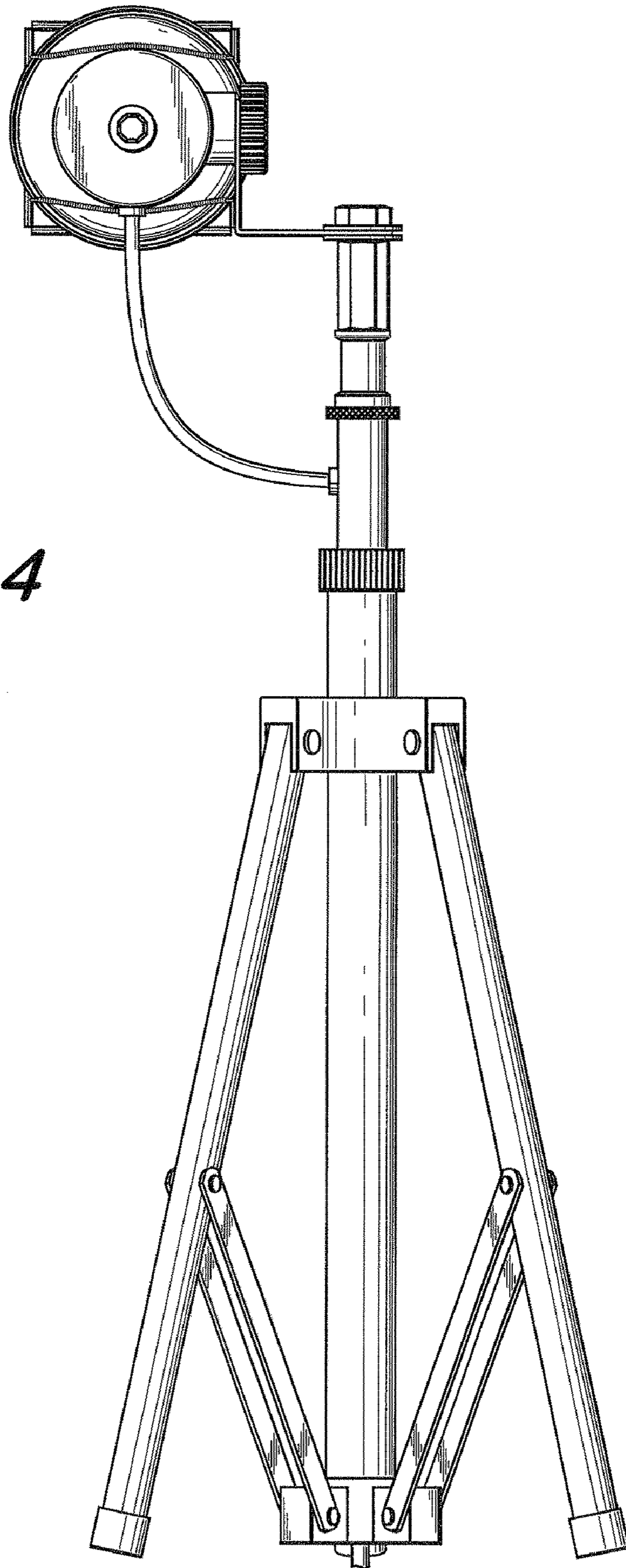


FIG. 4

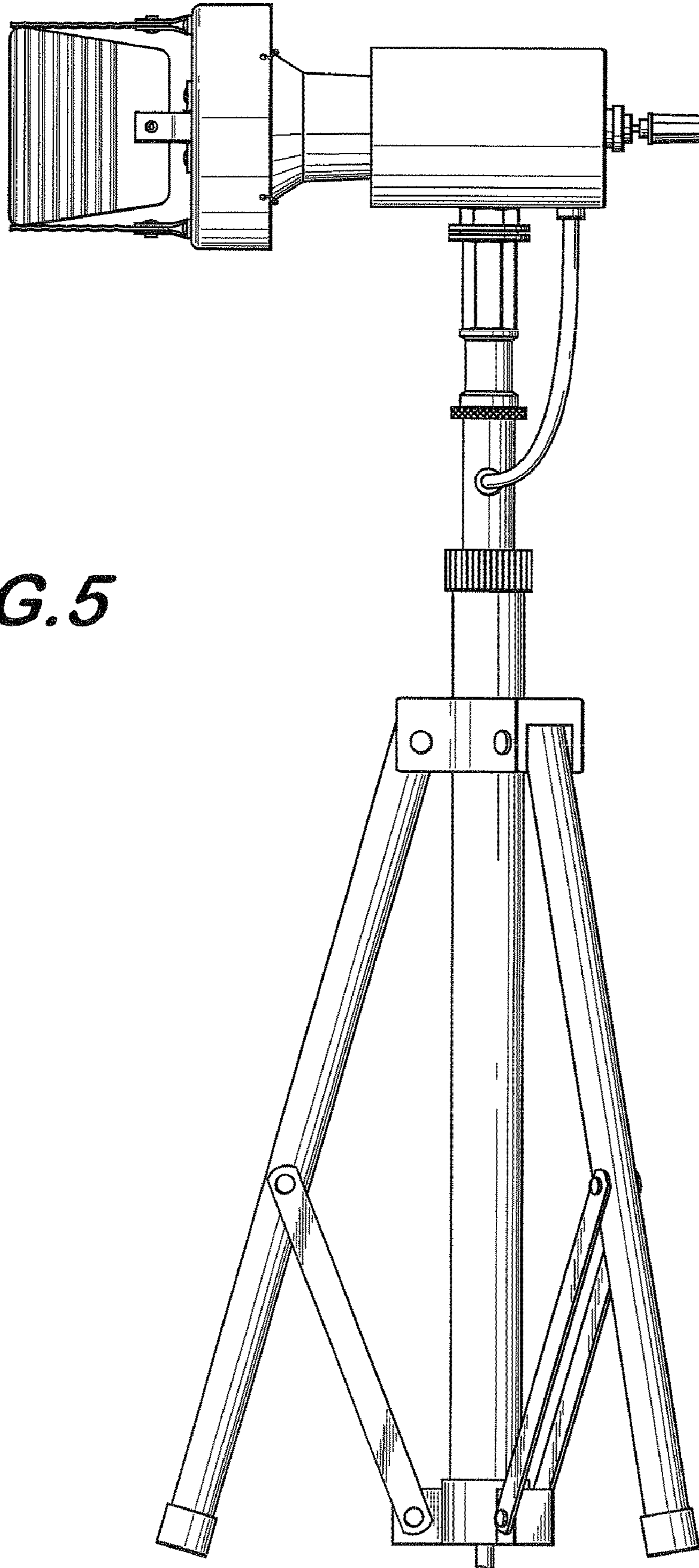


FIG. 5

FIG. 6

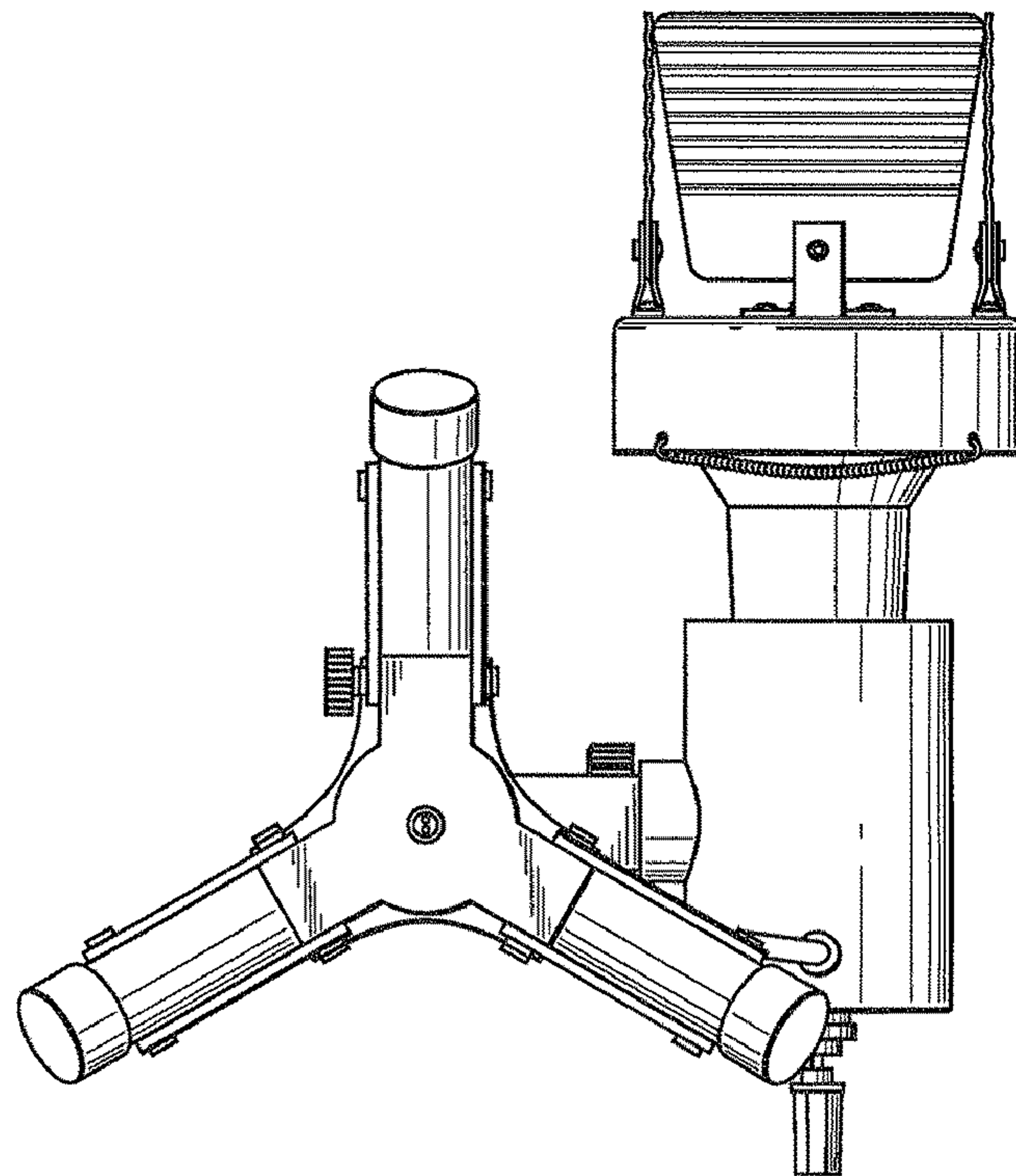
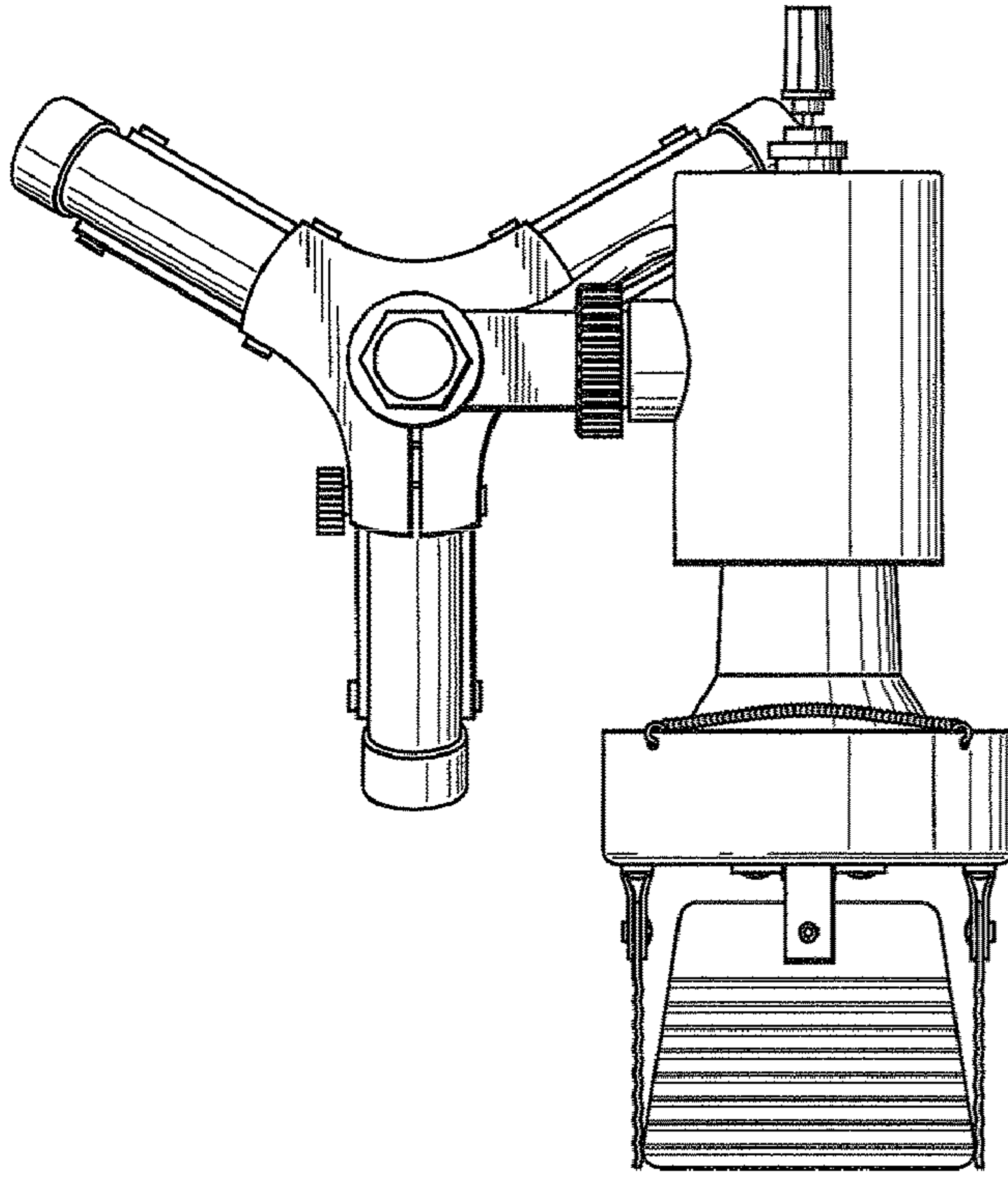


FIG. 7