



US00D623329S

(12) **United States Design Patent**  
**Huang**

(10) **Patent No.:** **US D623,329 S**  
(45) **Date of Patent:** **\*\* Sep. 7, 2010**

(54) **TABLE LAMP**

(75) Inventor: **Huo-Tu Huang**, Taipei County (TW)

(73) Assignee: **Huangslite Industrial Co., Ltd.**, Taipei Hsien (TW)

(\*\*) Term: **14 Years**

(21) Appl. No.: **29/347,668**

(22) Filed: **Apr. 6, 2010**

(51) **LOC (9) Cl.** ..... **26-05**

(52) **U.S. Cl.** ..... **D26/63**

(58) **Field of Classification Search** ..... D26/61-65,  
D26/107; 362/269, 275, 285, 371, 410, 413,  
362/414, 418, 419, 427

See application file for complete search history.

(56) **References Cited**

**U.S. PATENT DOCUMENTS**

- D158,617 S \* 5/1950 Rosenberg ..... D26/63
- D315,804 S \* 3/1991 Von Klier ..... D26/65
- D337,843 S \* 7/1993 Huang ..... D26/65
- D500,380 S \* 12/2004 Chen ..... D26/65

- D582,087 S \* 12/2008 Su ..... D26/63
- D600,388 S \* 9/2009 Huang ..... D26/65
- D600,844 S \* 9/2009 Thomson et al. .... D26/65
- D616,588 S \* 5/2010 Lee ..... D26/63
- D617,932 S \* 6/2010 Chan ..... D26/63

\* cited by examiner

*Primary Examiner*—Clare E Heflin

(57) **CLAIM**

I claim the ornamental design for table lamp, as shown and described.

**DESCRIPTION**

FIG. 1. is a perspective view of table lamp showing my new design

FIG. 2. is a front elevational view thereof;

FIG. 3. is a rear elevational view thereof;

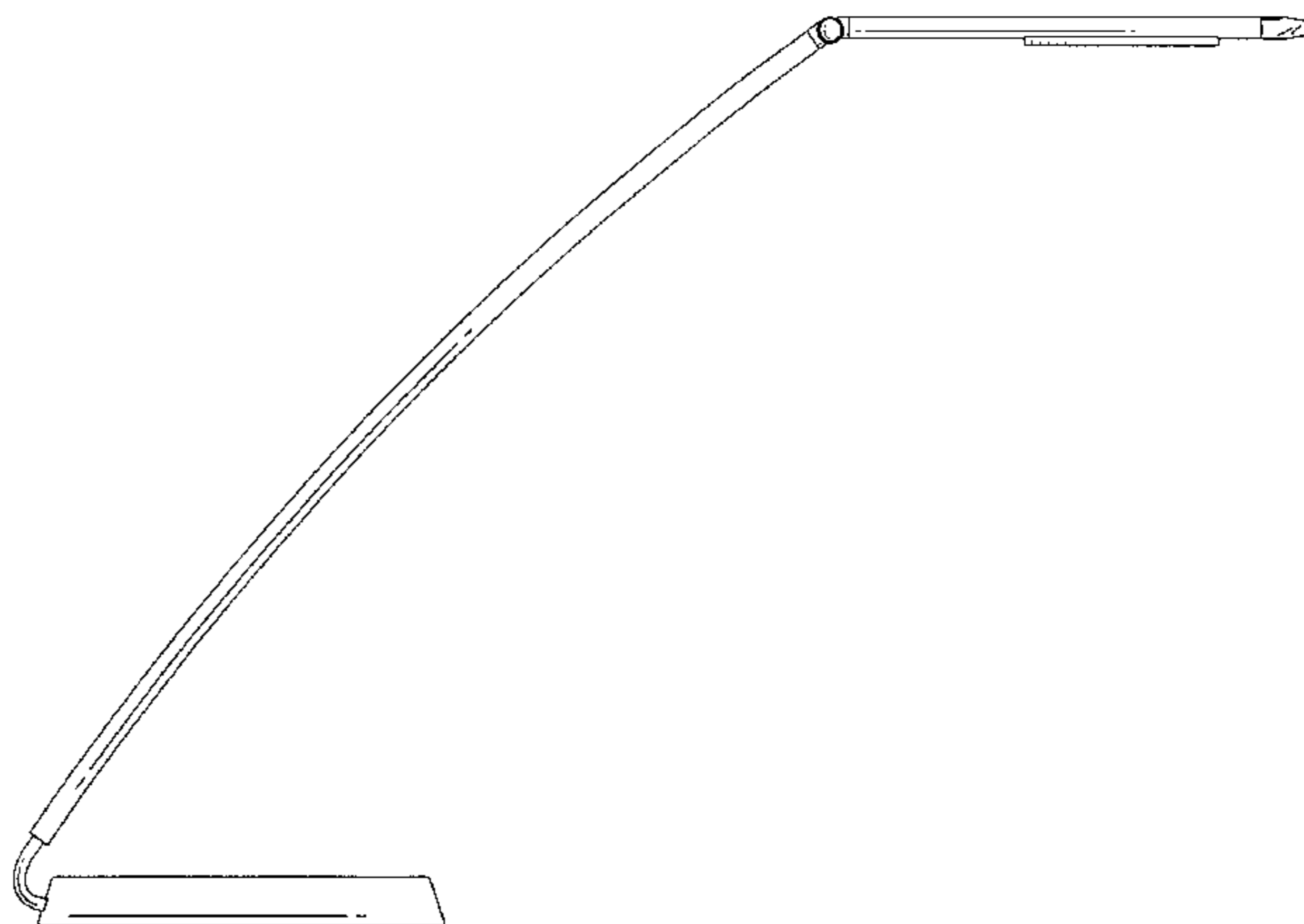
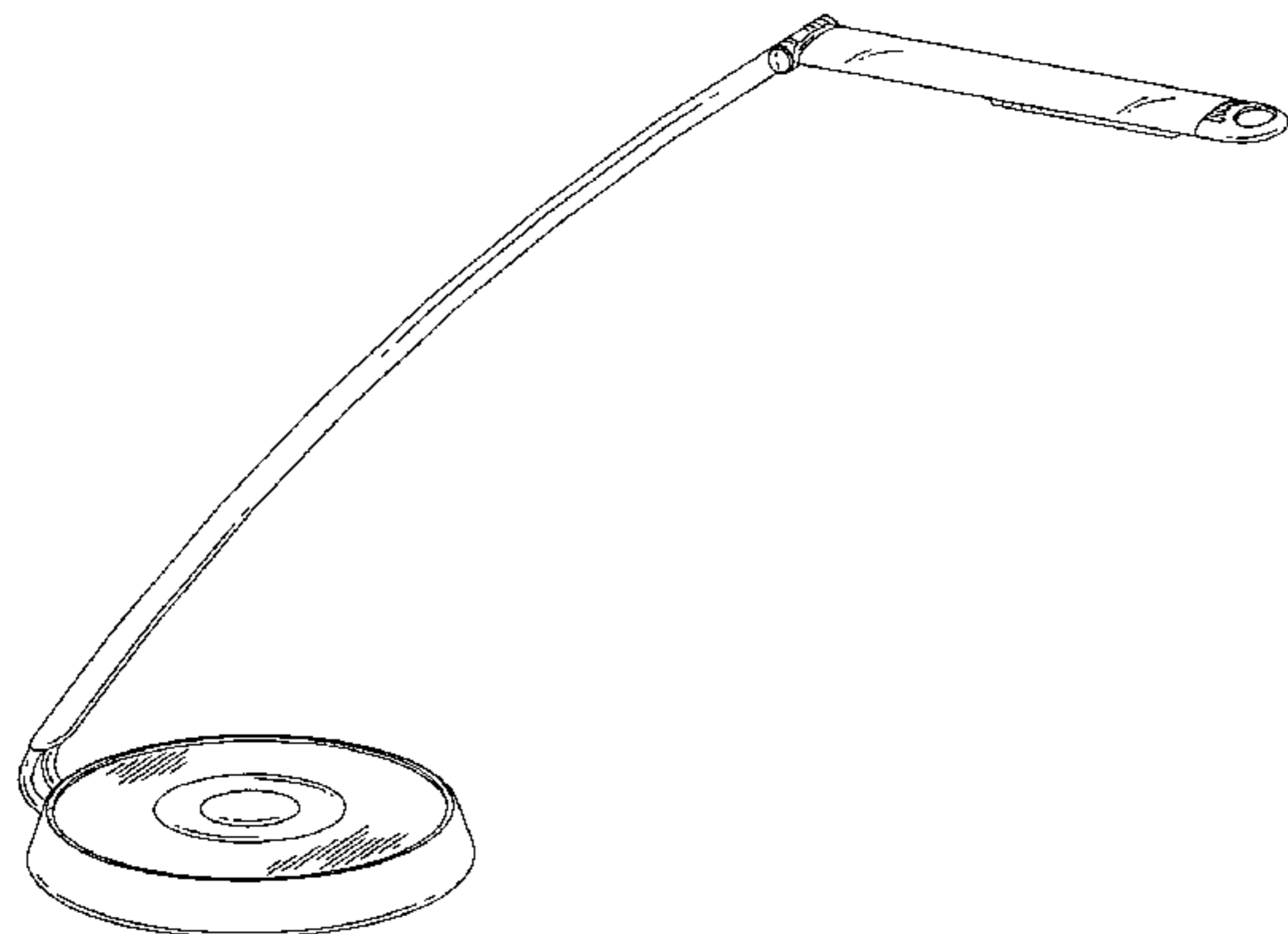
FIG. 4. is a left side elevational view thereof;

FIG. 5. is a right side elevational view thereof;

FIG. 6. is a top plan view thereof; and,

FIG. 7. is a bottom plan view thereof.

**1 Claim, 5 Drawing Sheets**



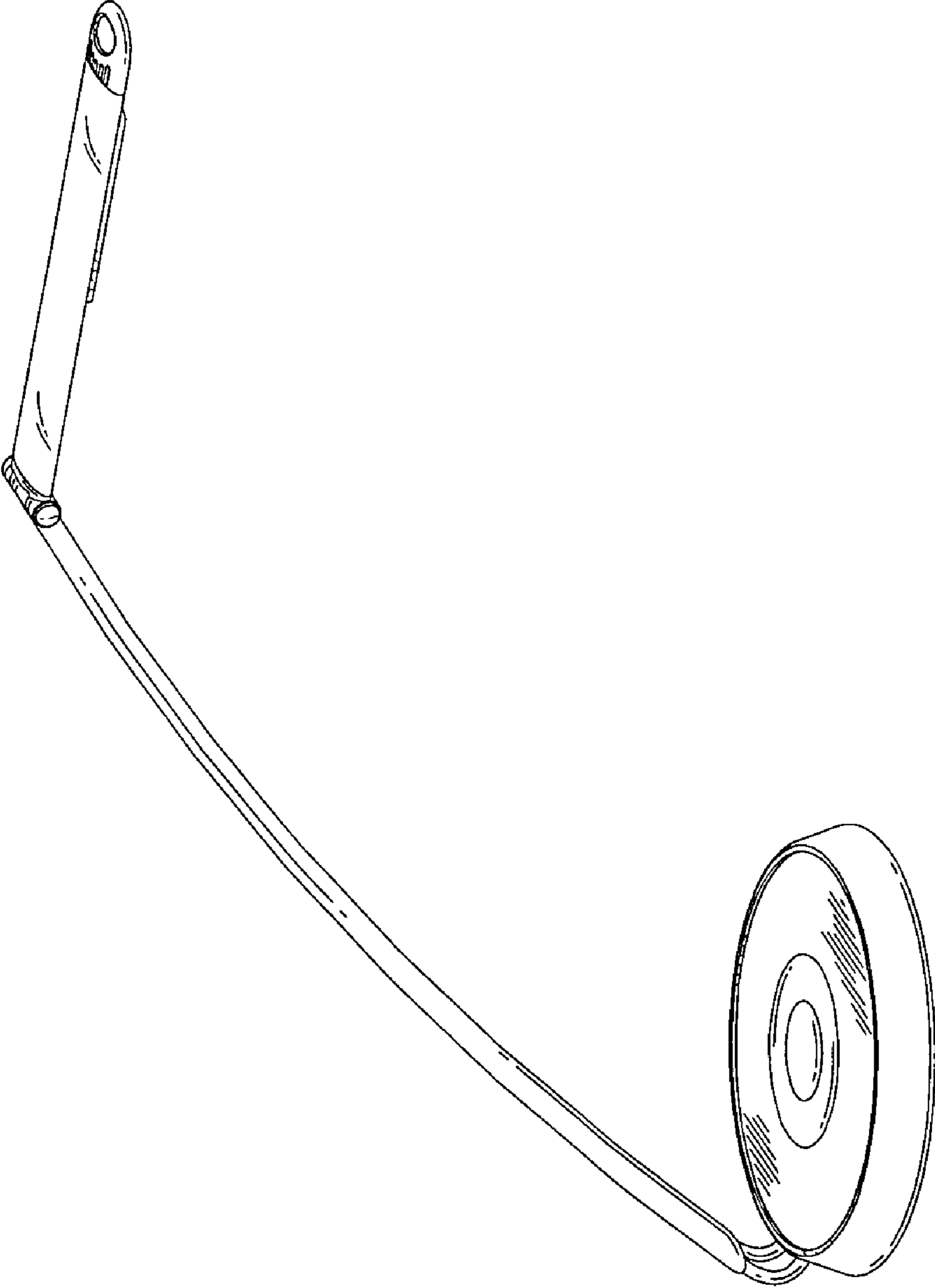


FIG. 1

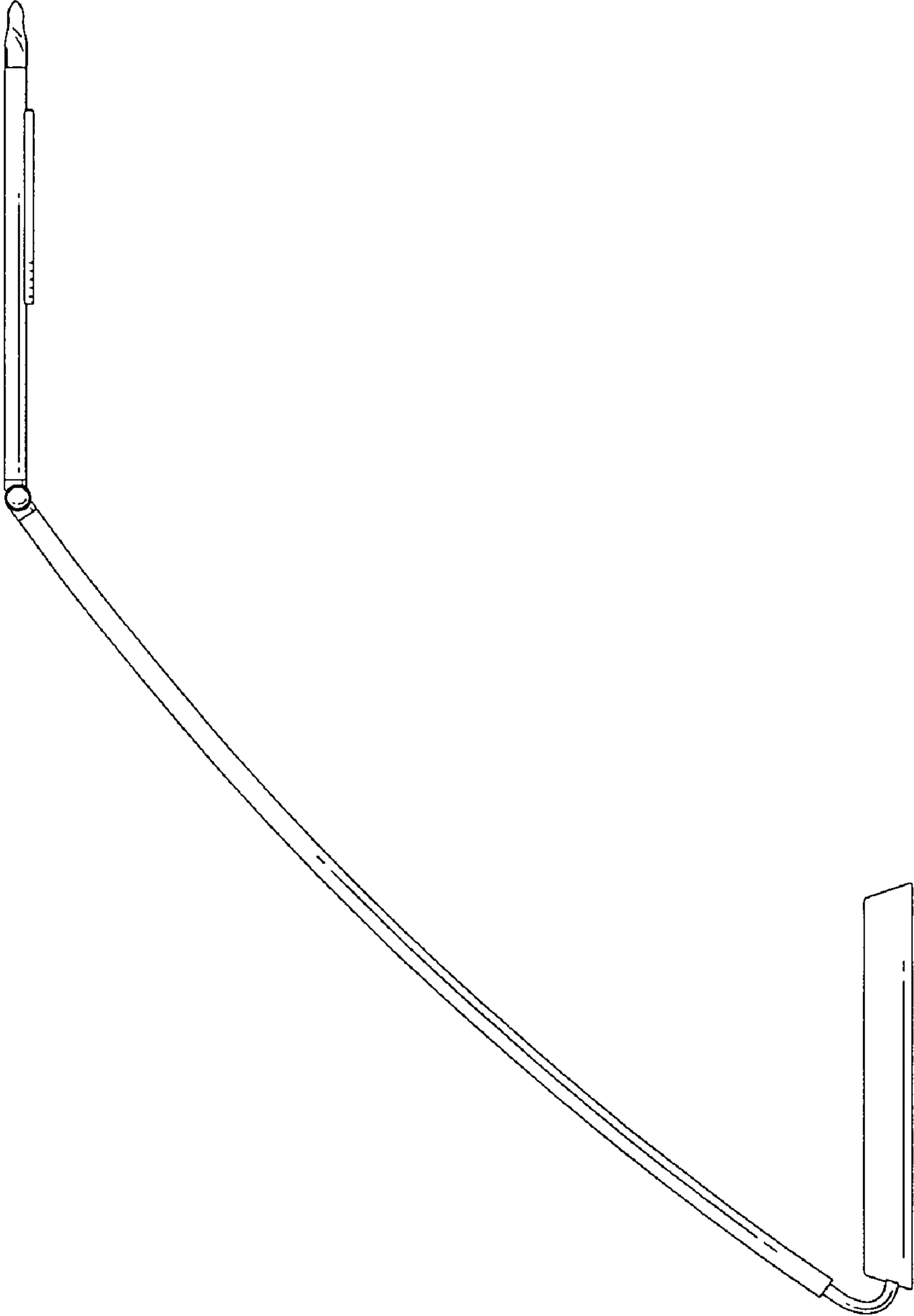


FIG. 2

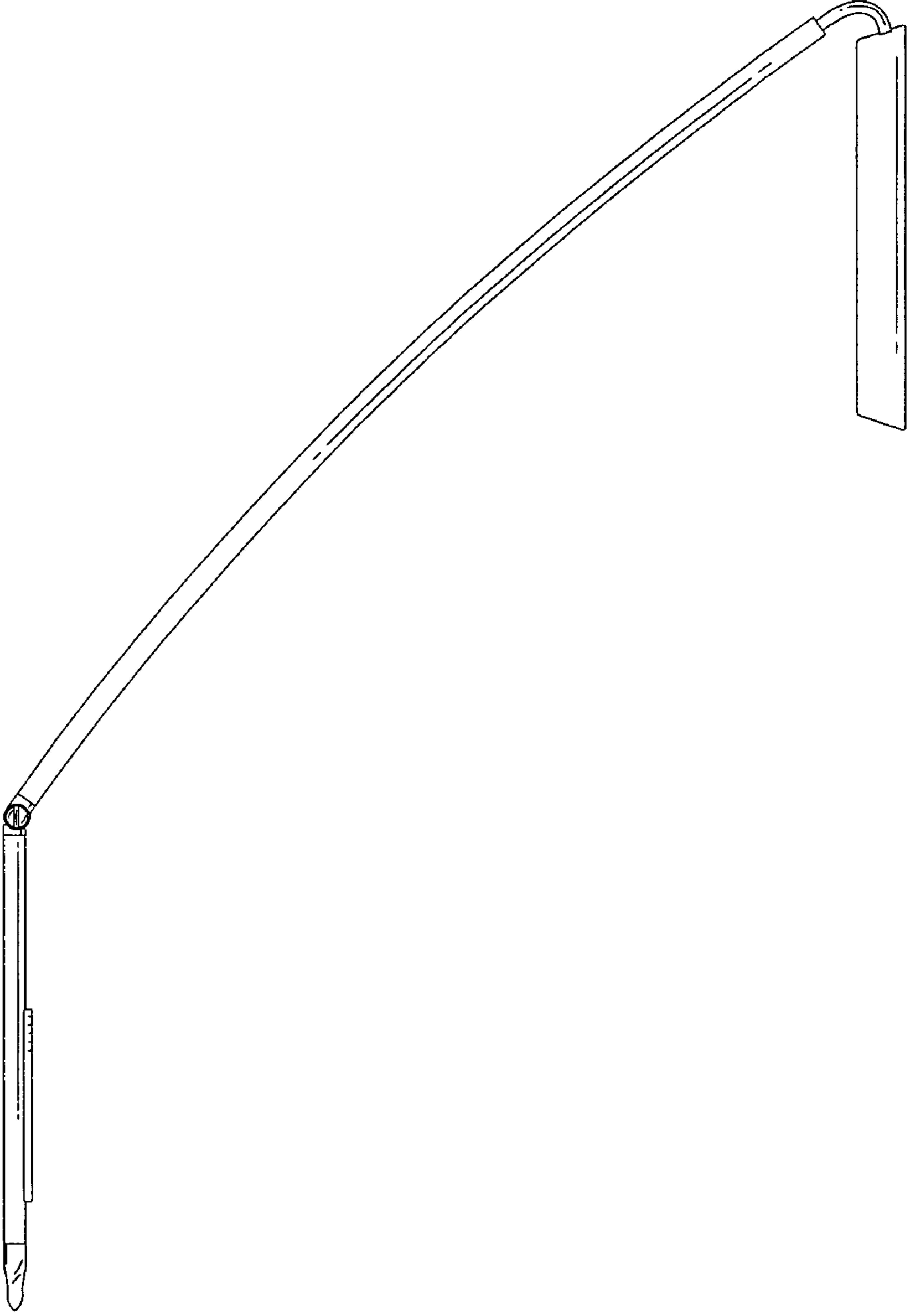


FIG. 3

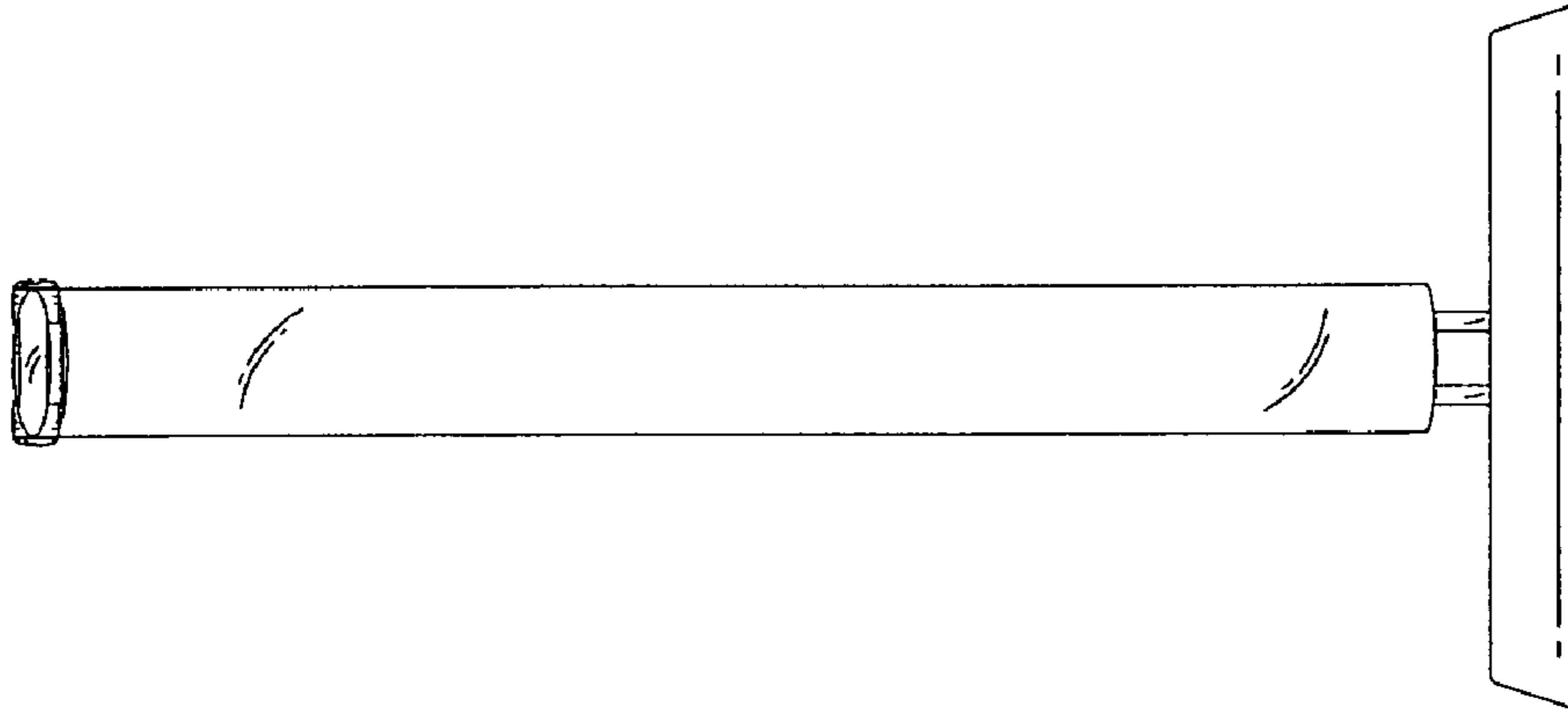


FIG. 5

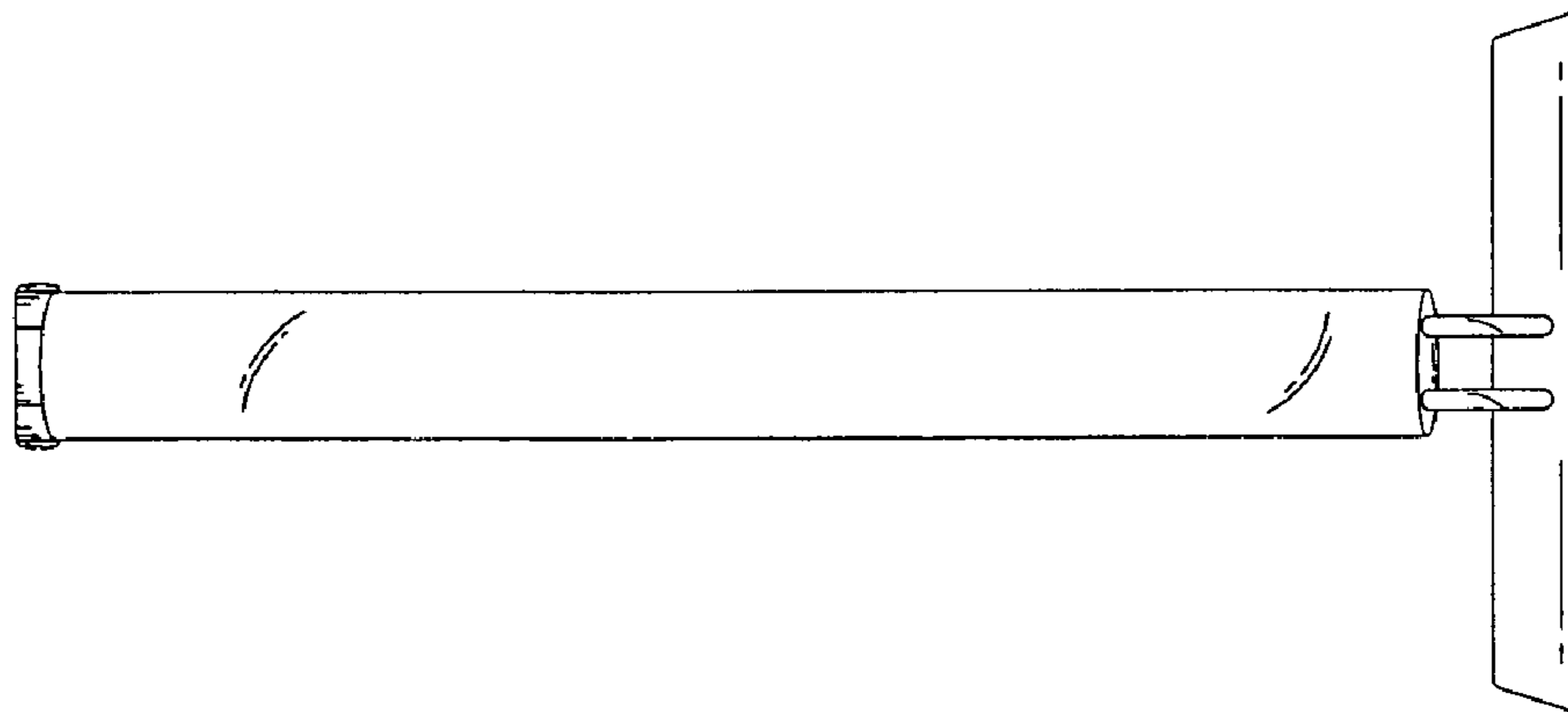


FIG. 4

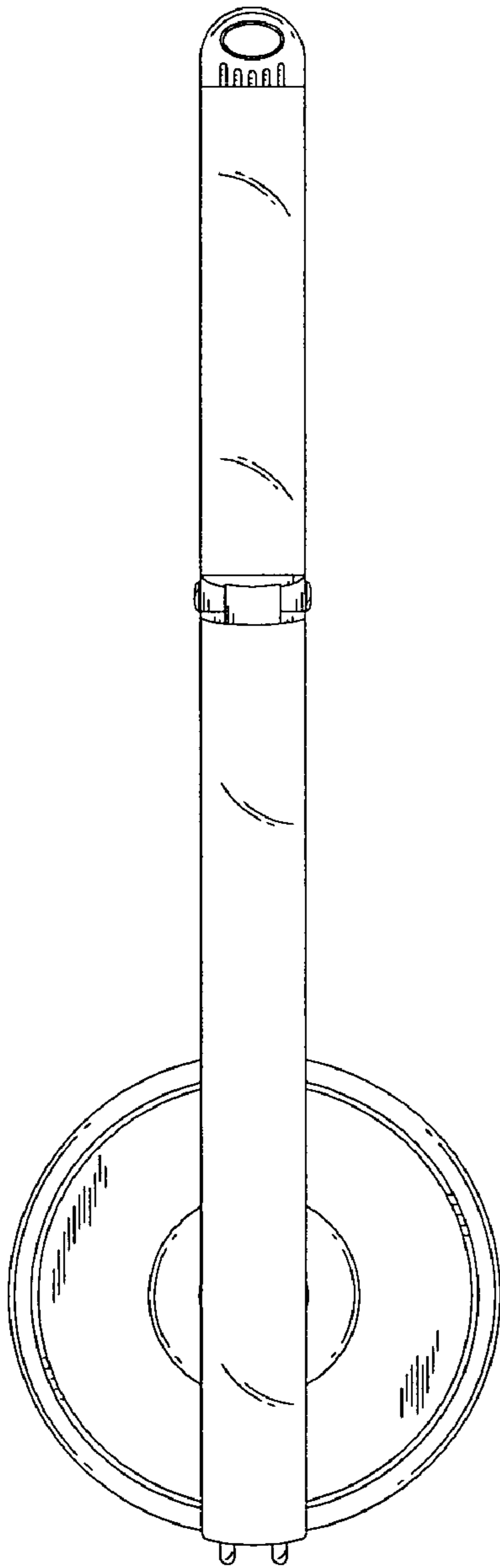


FIG. 6

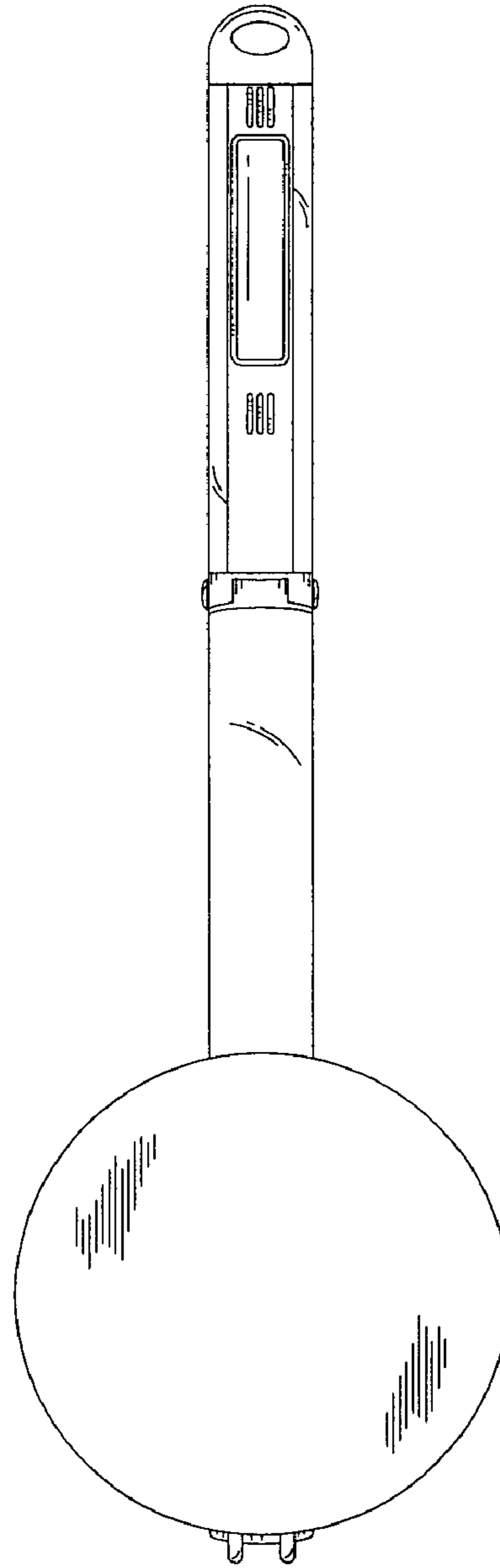


FIG. 7