



US00D623327S

(12) **United States Design Patent**
Malkanov

(10) **Patent No.:** **US D623,327 S**
(45) **Date of Patent:** **** Sep. 7, 2010**

(54) **LIGHT**

Primary Examiner—Mitchell I Siegel
(74) *Attorney, Agent, or Firm*—Collard & Roe, P.C.

(75) **Inventor:** **Todor Angelov Malkanov**, Sofia-Reduta (BG)

(57) **CLAIM**

(73) **Assignee:** **Dedo Weigert Film GmbH**, Munich (DE)

The ornamental design for a light, as shown and described.

(**) **Term:** **14 Years**

DESCRIPTION

(21) **Appl. No.:** **29/316,730**

(22) **Filed:** **Oct. 26, 2009**

(30) **Foreign Application Priority Data**

Jun. 18, 2009 (EM) 001146765

(51) **LOC (9) Cl.** **26-05**

(52) **U.S. Cl.** **D26/63**

(58) **Field of Classification Search** D26/61-66,
D26/118; 362/3, 16-19, 269, 271, 272, 275,
362/278, 281, 282, 285, 287, 418, 419, 427,
362/341, 347, 350, 361, 8, 18

See application file for complete search history.

FIG. 1 is a front and right side perspective view of a first embodiment of light, showing my new design in an open position;

FIG. 2 is a front view thereof in a closed position;

FIG. 3 is a right side view thereof in a closed position;

FIG. 4 is a rear view thereof in a closed position;

FIG. 5 is a left side view thereof in a closed position;

FIG. 6 is a top view thereof in a closed position;

FIG. 7 is a bottom view thereof in a closed position;

FIG. 8 is a front and right side perspective view of another embodiment of a light, showing my new design in an open position;

FIG. 9 is a front view thereof in a closed position;

FIG. 10 is a right side view thereof in a closed position;

FIG. 11 is a rear view thereof in a closed position;

FIG. 12 is a left side view thereof in a closed position;

FIG. 13 is a top view thereof in a closed position; and,

FIG. 14 is a bottom view thereof in a closed position.

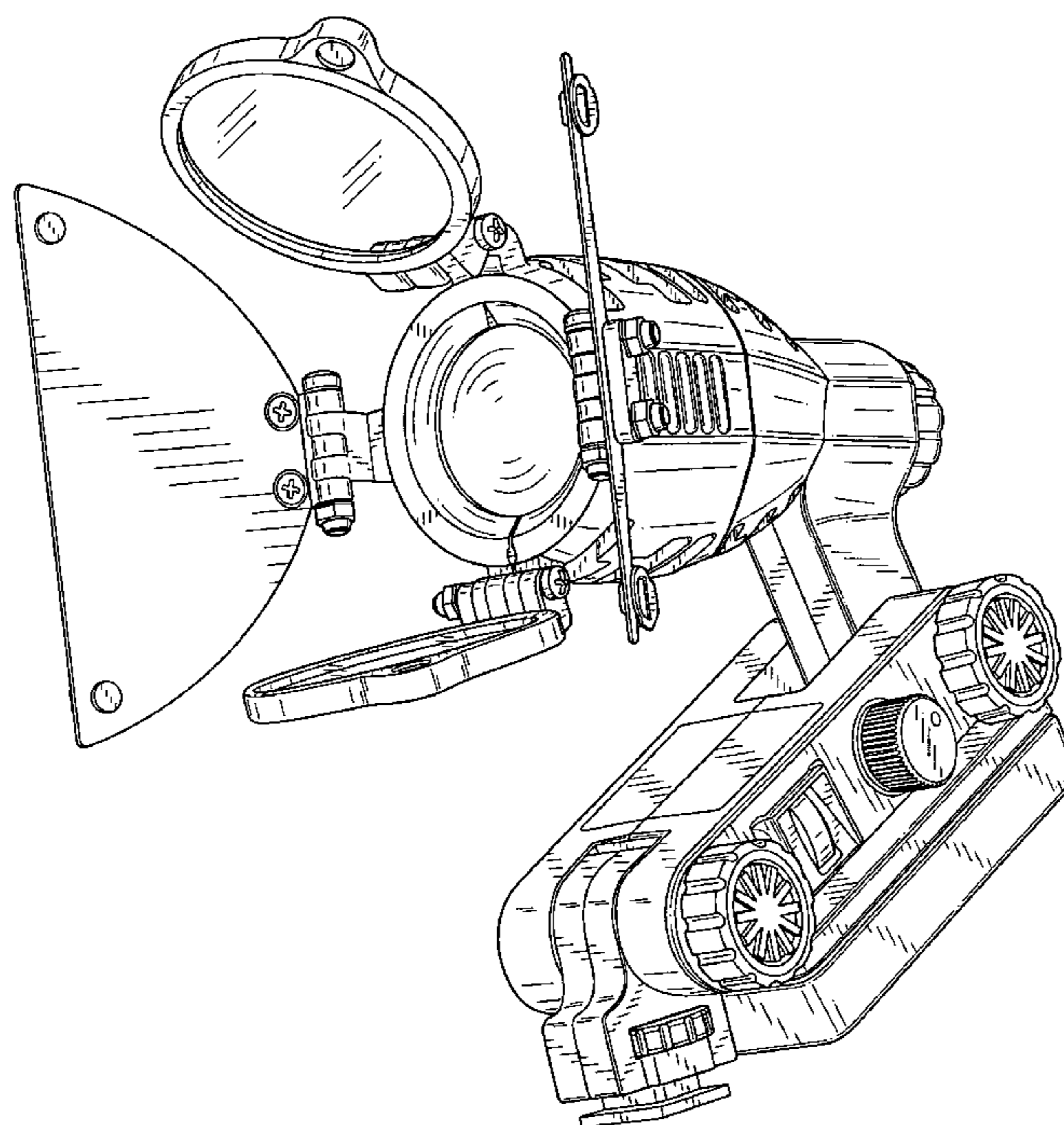
(56) **References Cited**

U.S. PATENT DOCUMENTS

D426,335 S *	6/2000	Kulterer et al.	D26/63
D428,661 S *	7/2000	Norman	D26/63
D437,954 S *	2/2001	Tang	D26/63
D566,873 S *	4/2008	Grundl et al.	D26/63
D567,979 S *	4/2008	Starck	D26/63
D580,082 S *	11/2008	Zemar	D26/63

* cited by examiner

1 Claim, 14 Drawing Sheets



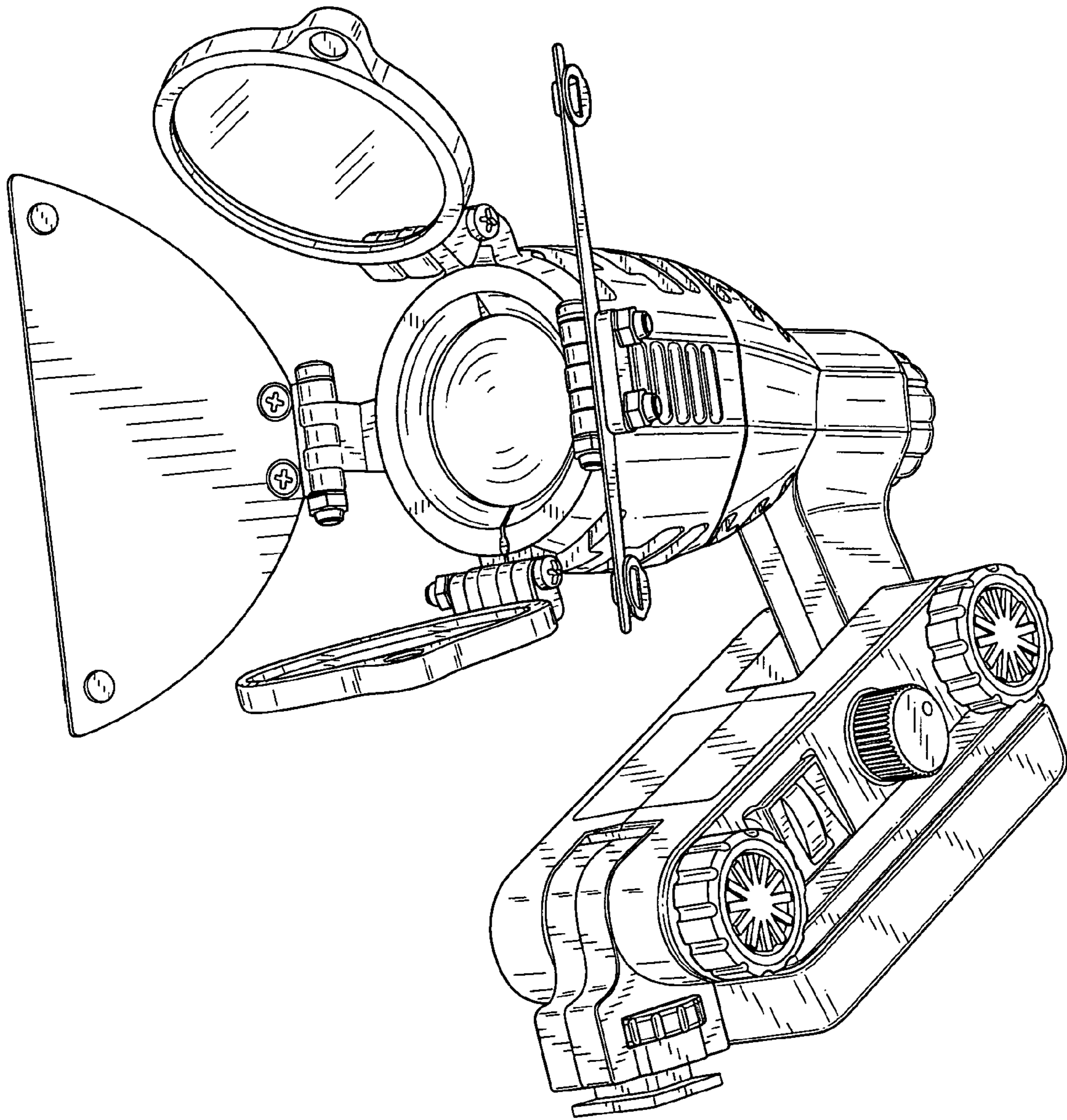


FIG. 1

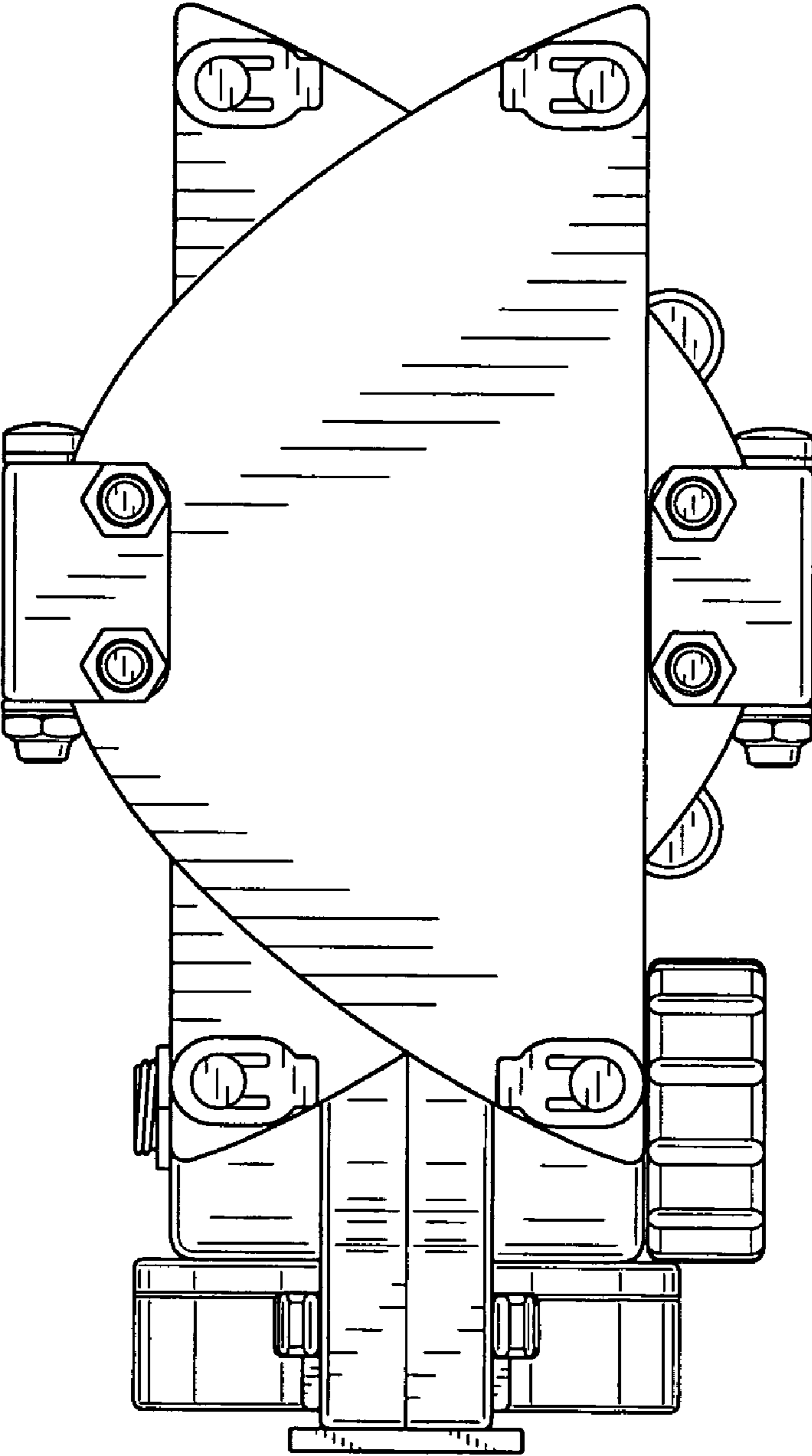


FIG. 2

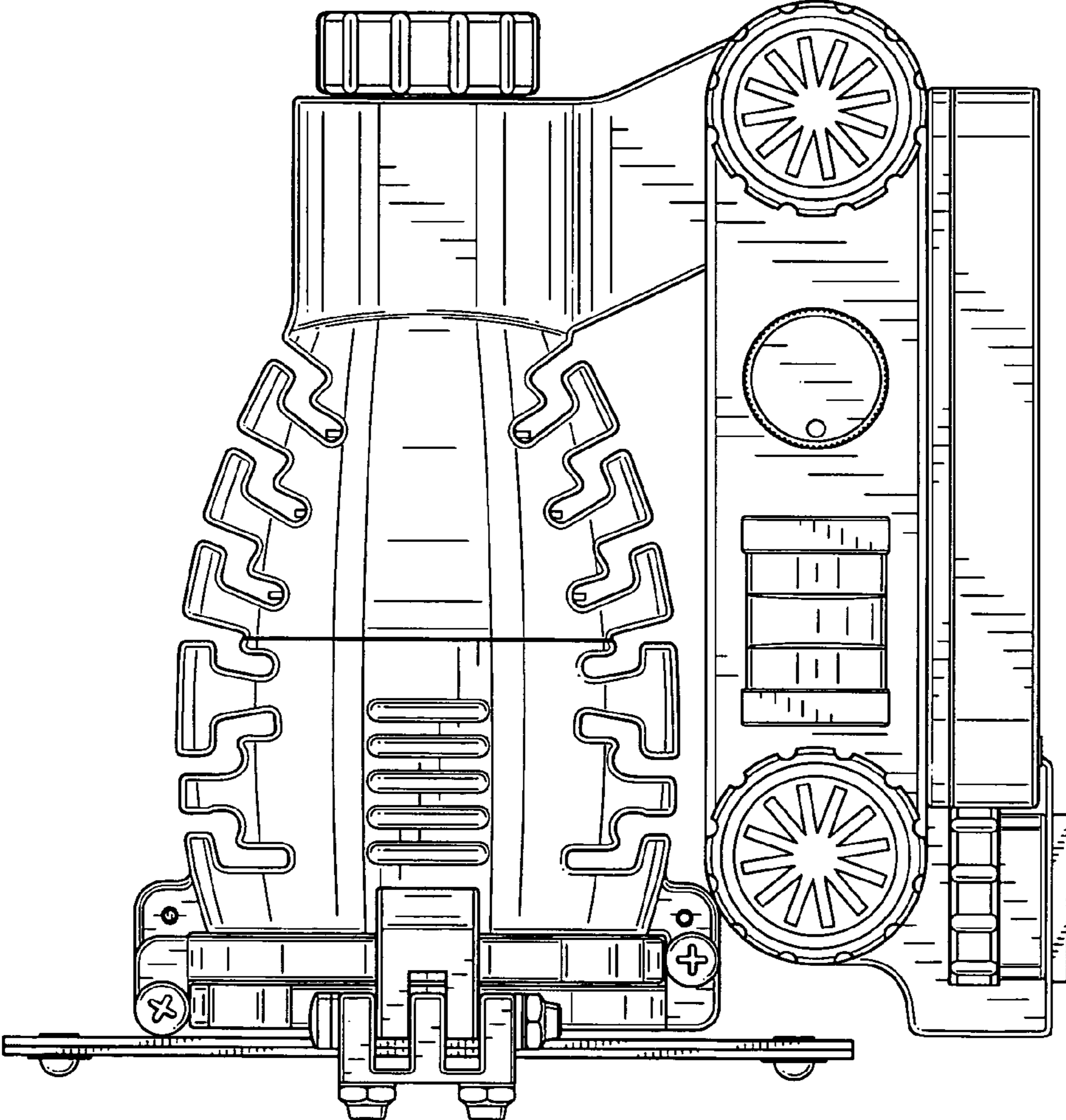


FIG. 3

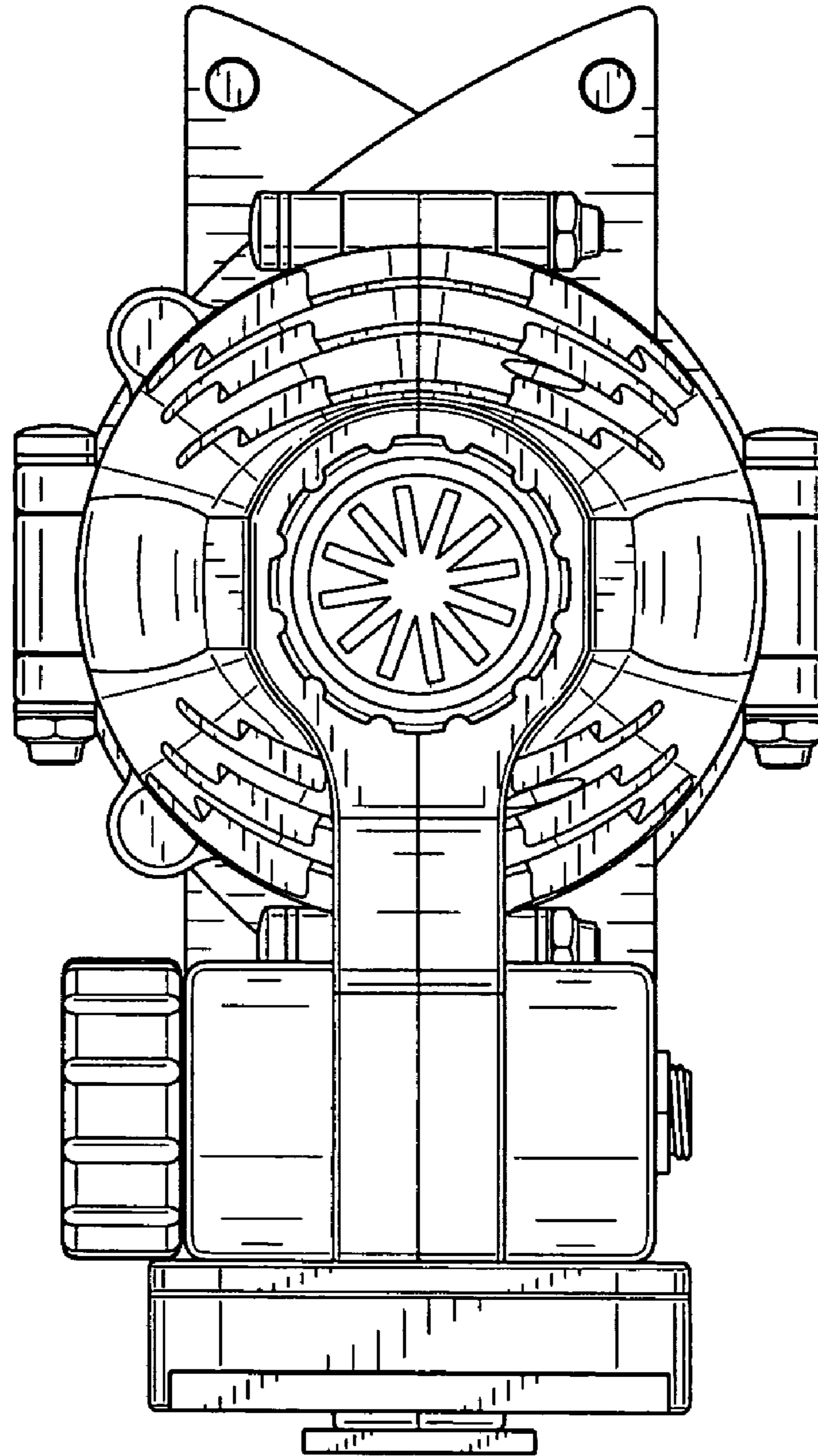


FIG. 4

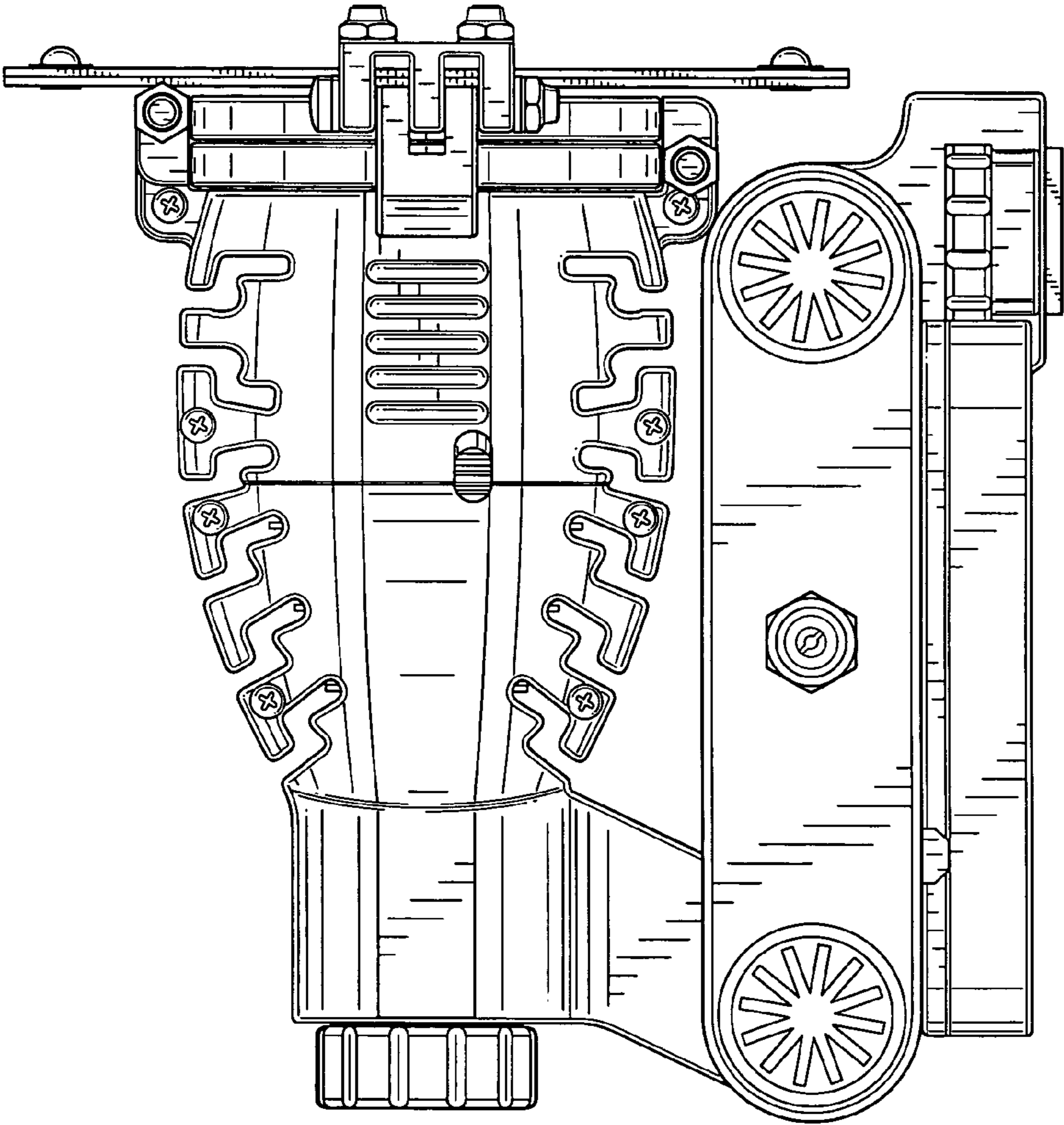


FIG. 5

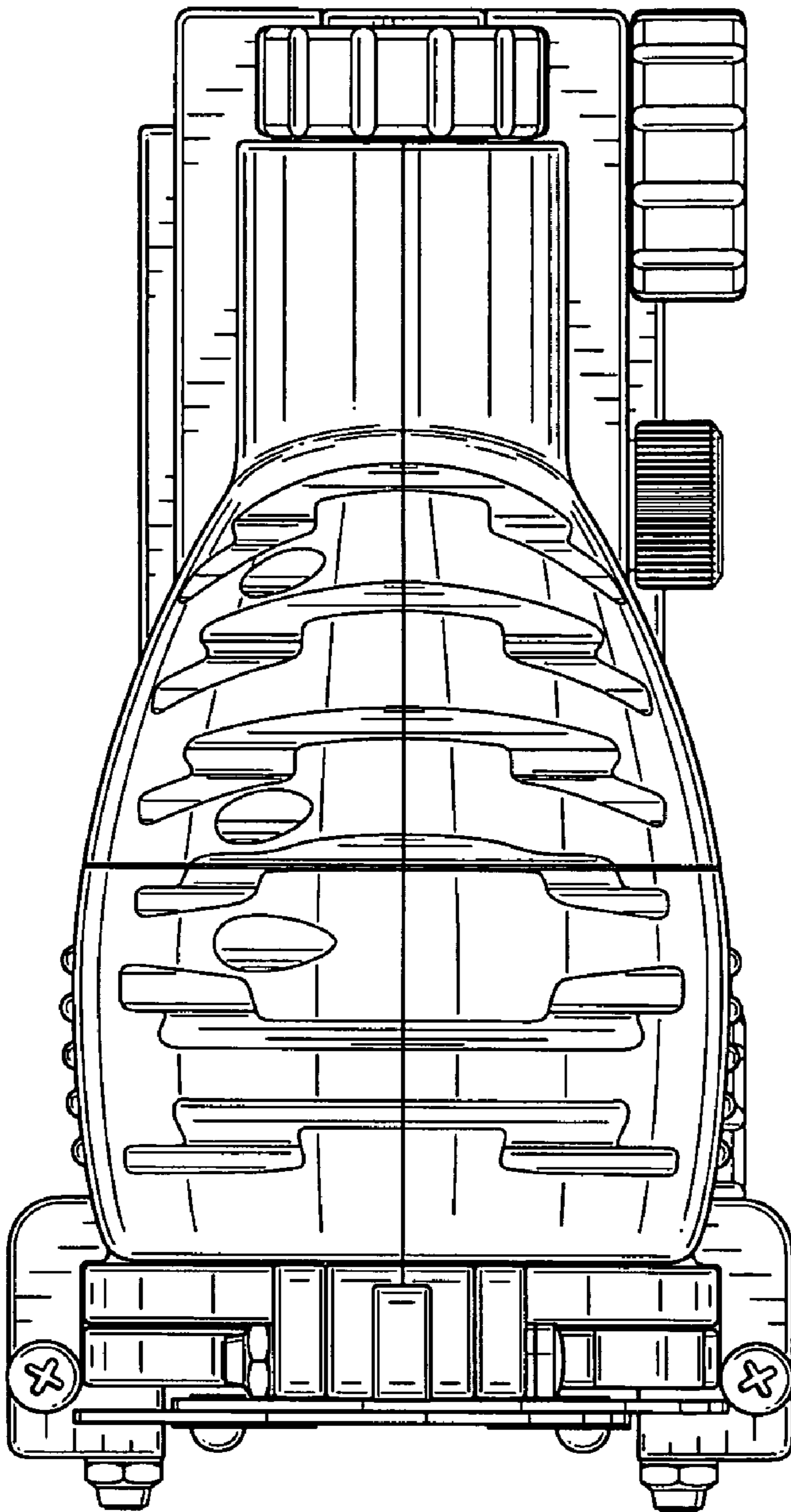


FIG. 6

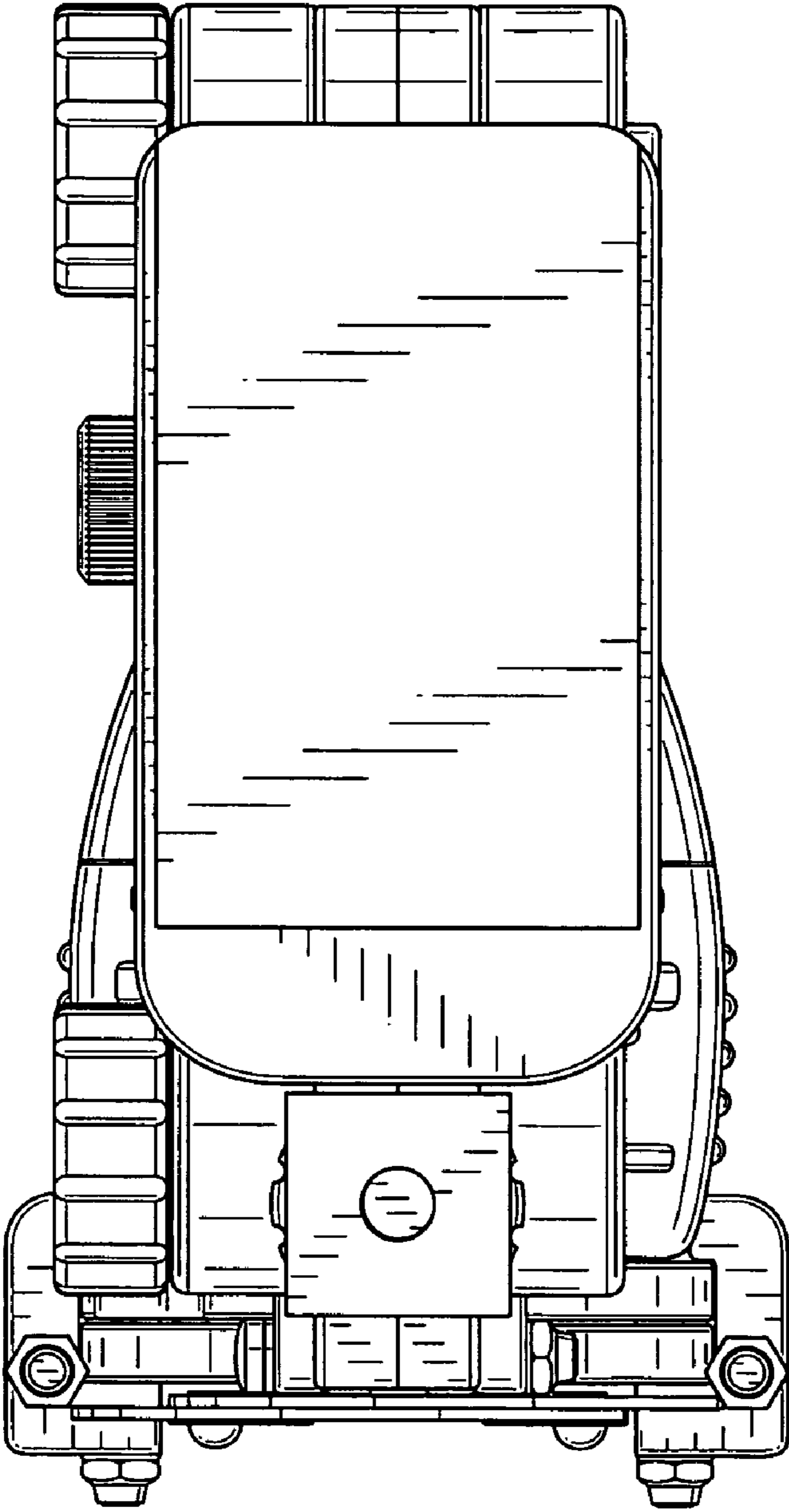


FIG. 7

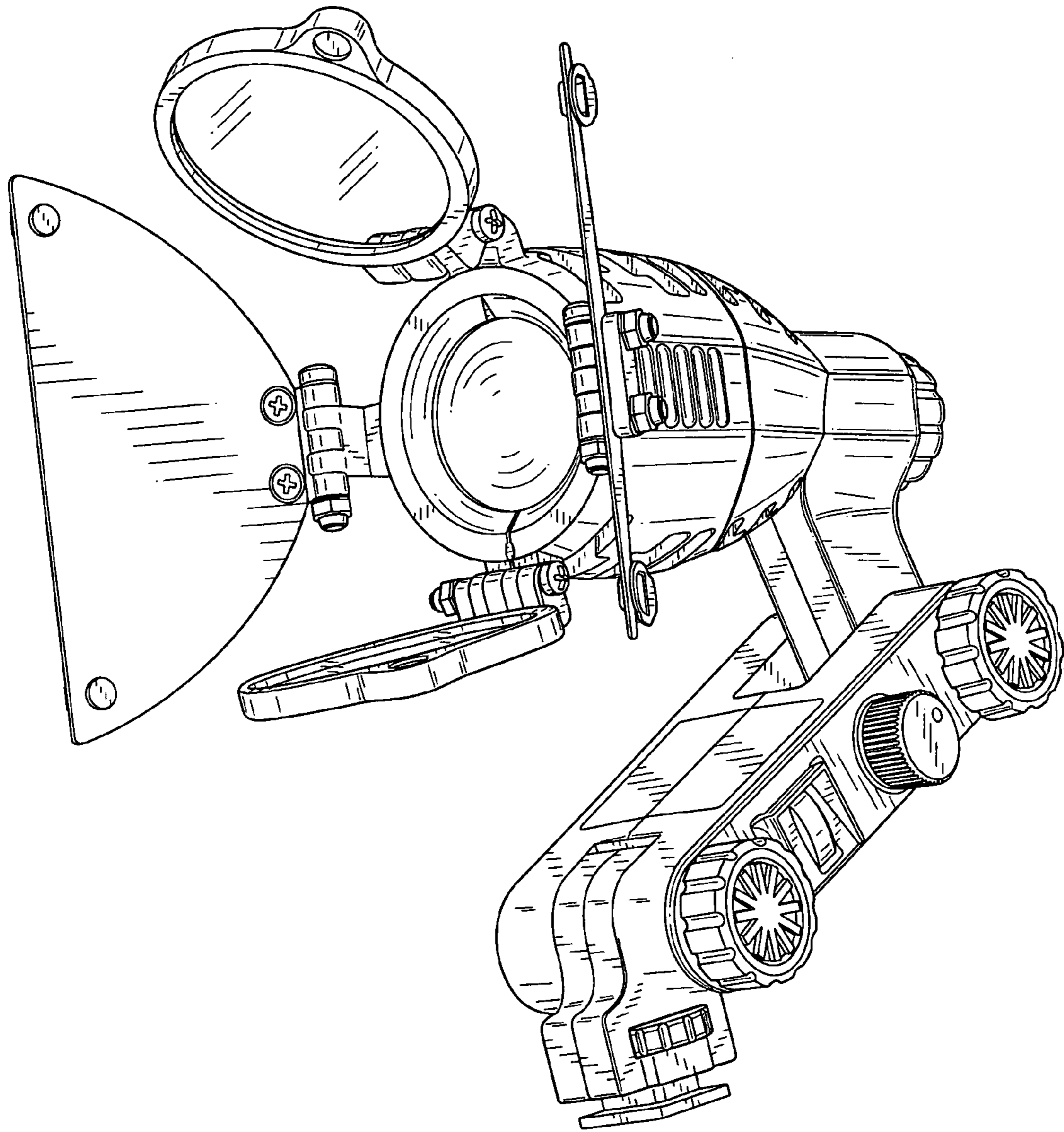


FIG. 8

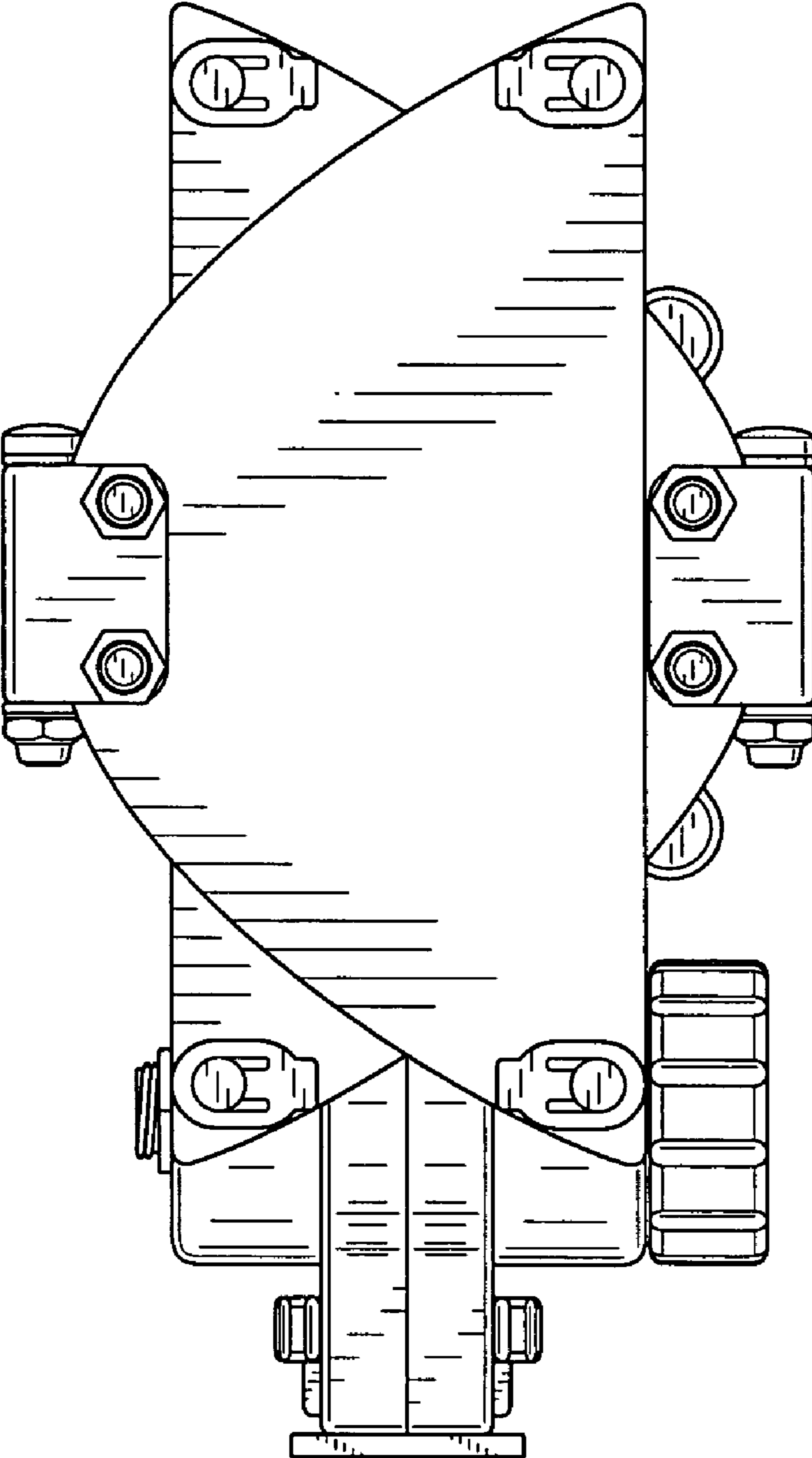


FIG. 9

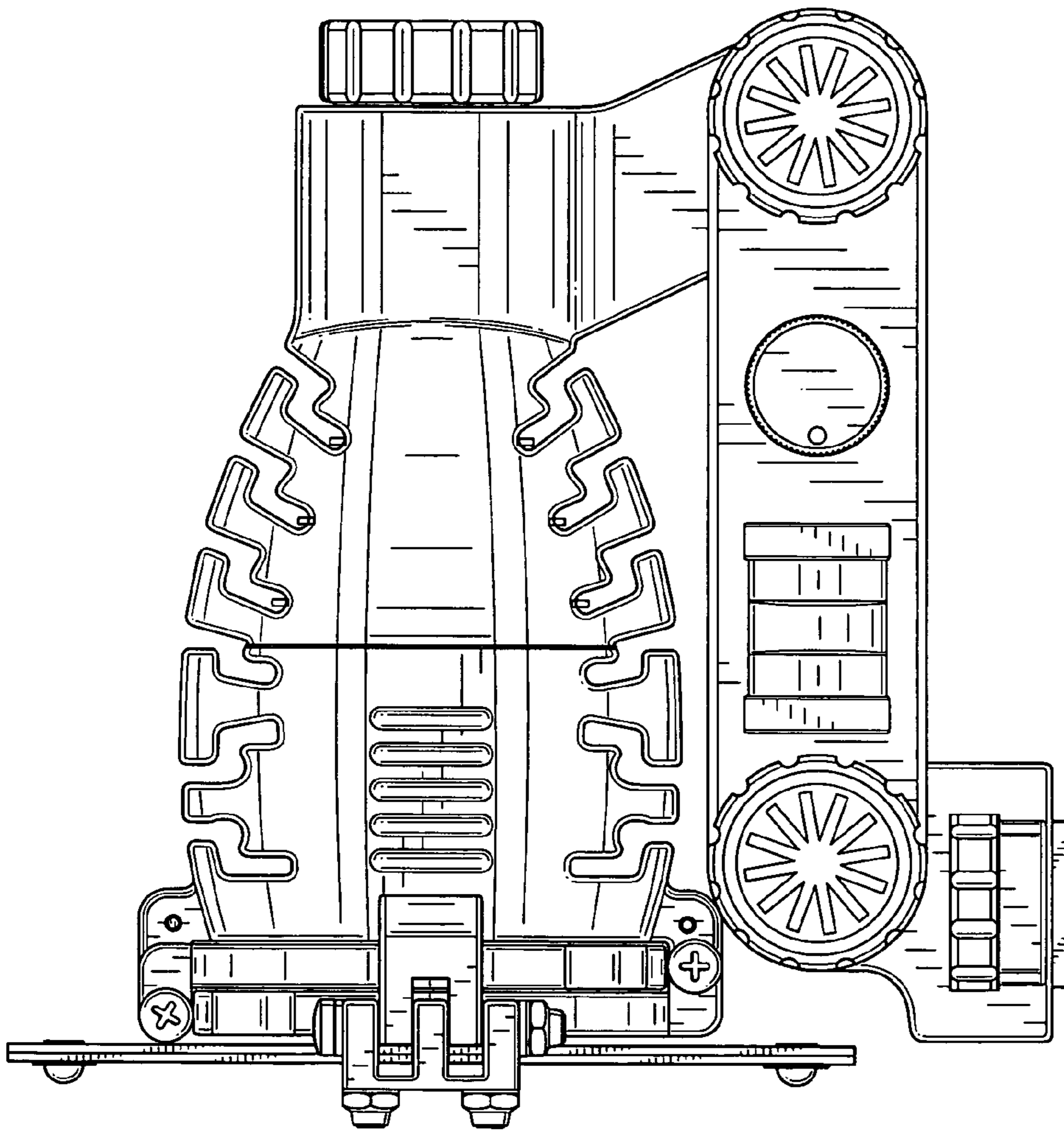


FIG. 10

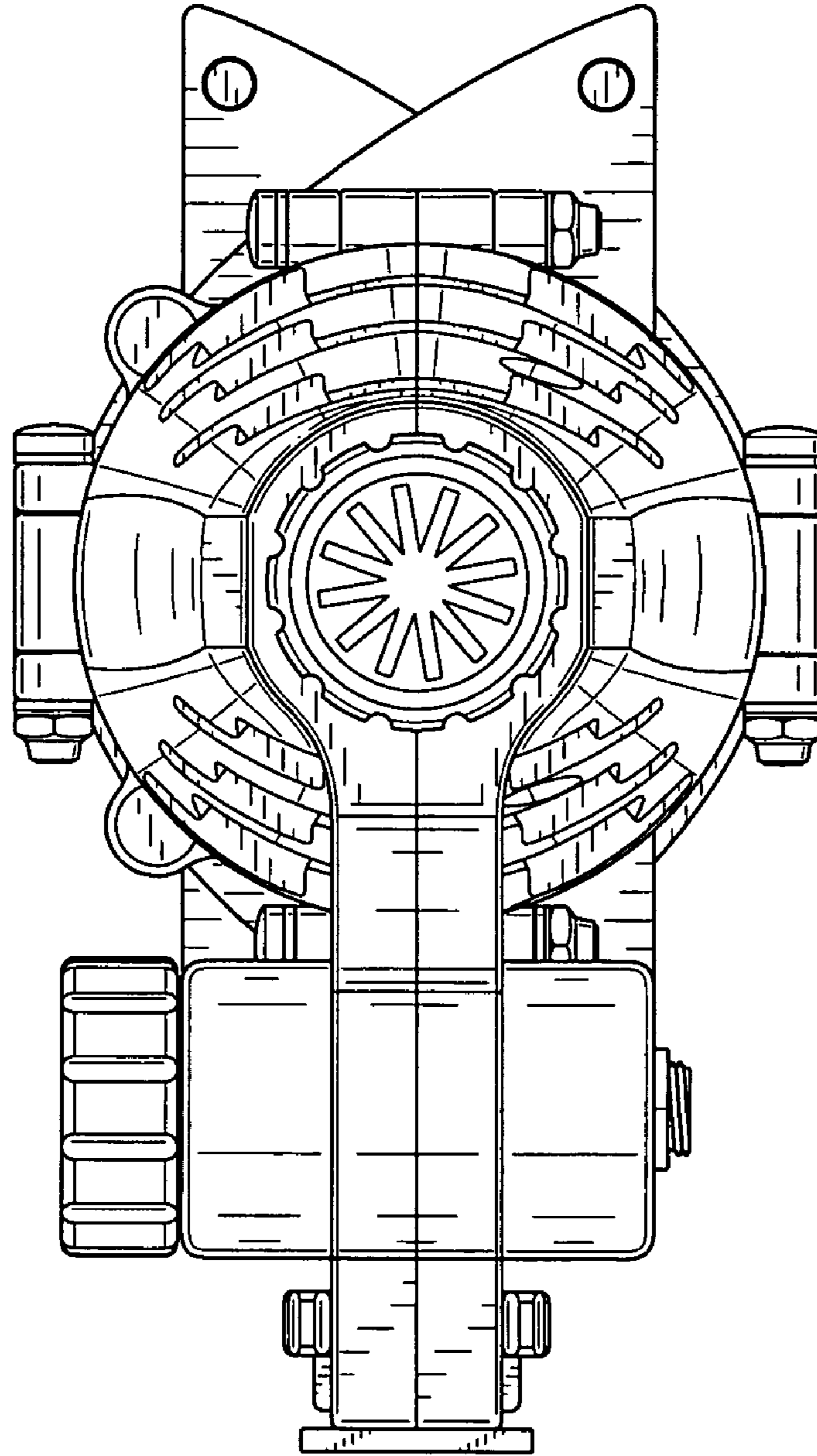


FIG. 11

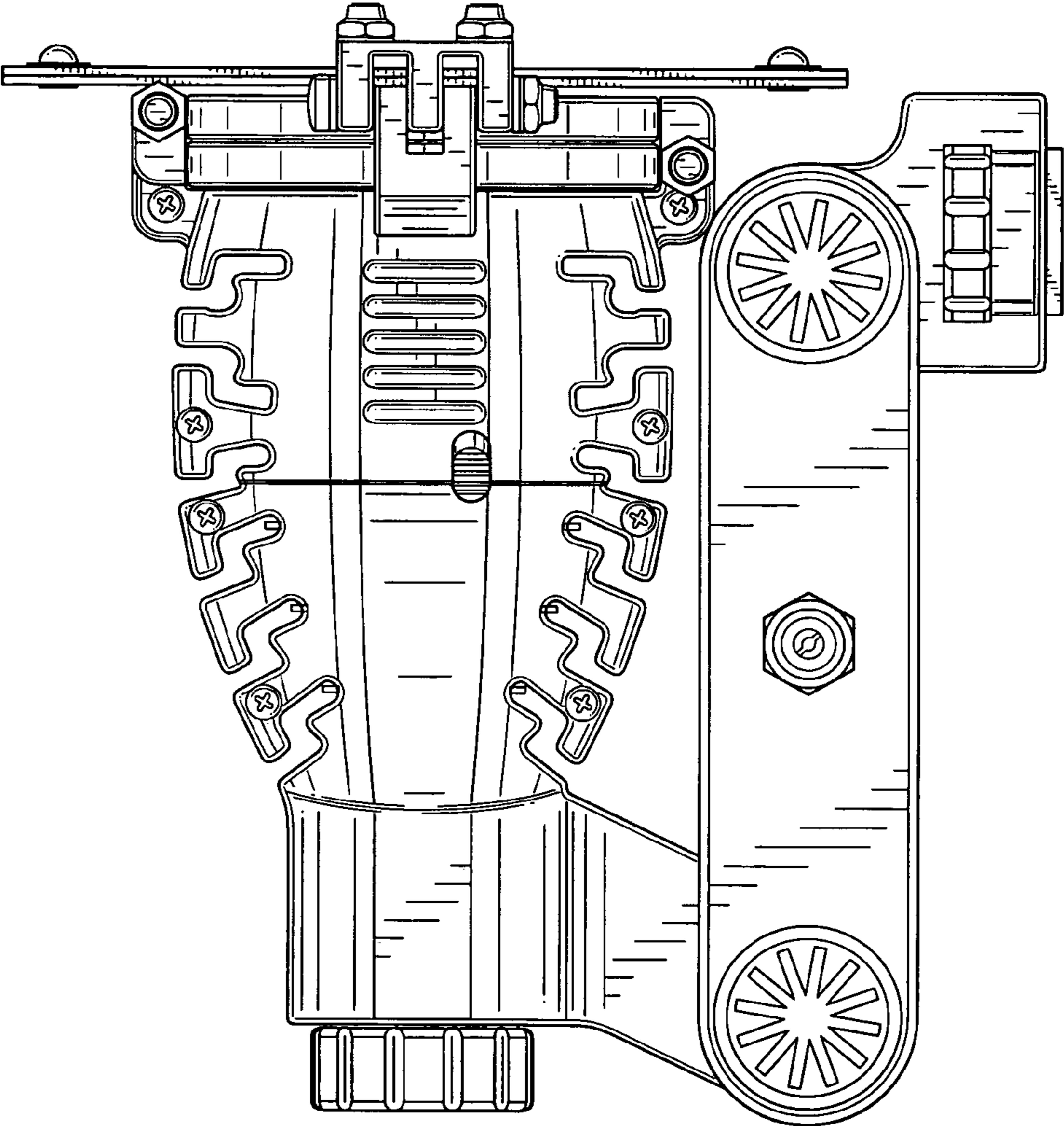


FIG. 12

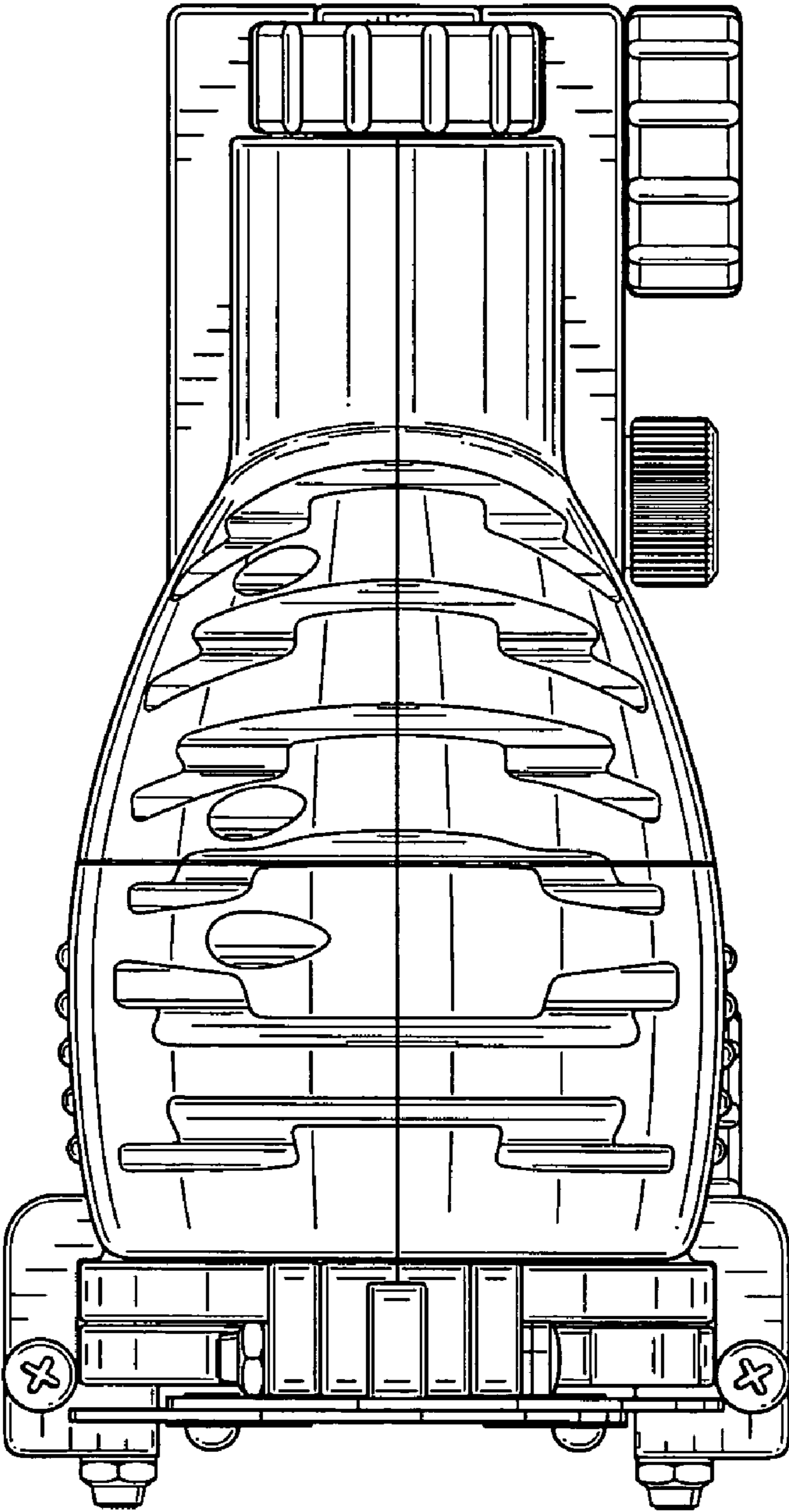


FIG. 13

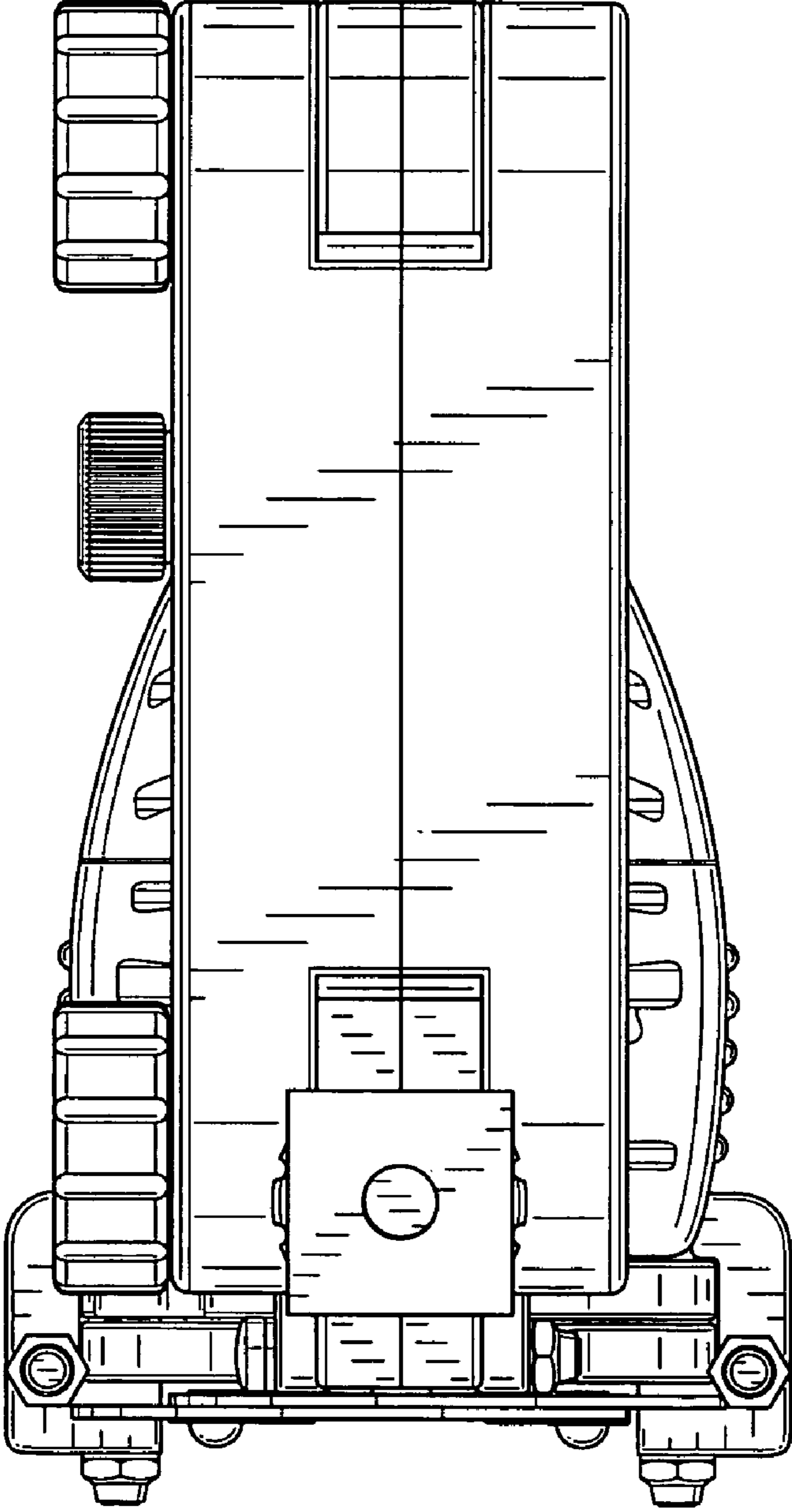


FIG. 14