



US00D623326S

(12) **United States Design Patent**  
**Chen**

(10) **Patent No.:** **US D623,326 S**

(45) **Date of Patent:** **\*\* \*Sep. 7, 2010**

(54) **ILLUMINATING APPARATUS**

(75) Inventor: **Jen-Shyan Chen**, Hsinchu (TW)

(73) Assignee: **Neobulb Technologies, Inc.**, Brunei Darussalam

(\* ) Notice: This patent is subject to a terminal disclaimer.

(\*\* ) Term: **14 Years**

(21) Appl. No.: **29/311,188**

(22) Filed: **Jan. 13, 2009**

(30) **Foreign Application Priority Data**

Jul. 16, 2008 (TW) ..... 97304138

(51) **LOC (9) Cl.** ..... **26-05**

(52) **U.S. Cl.** ..... **D26/63**

(58) **Field of Classification Search** ..... D26/67-71,  
D26/24, 26, 72-92, 93-112; 362/147, 269,  
362/282, 285, 148-150, 89, 153, 257, 217.01-217.17,  
362/218-225

See application file for complete search history.

(56) **References Cited**

**U.S. PATENT DOCUMENTS**

2,694,775 A \* 11/1954 Florence ..... 362/222  
D254,094 S \* 1/1980 Jaksich ..... D26/63  
D308,114 S \* 5/1990 Shemitz ..... D26/85  
D308,260 S \* 5/1990 Shemitz ..... D26/85  
D316,306 S \* 4/1991 Shemitz ..... D26/85  
5,971,571 A \* 10/1999 Rose ..... 362/346

D439,355 S \* 3/2001 Ford ..... D26/63  
D463,879 S \* 10/2002 Mier-Langner et al. .... D26/77  
D475,157 S \* 5/2003 Mier-Langner et al. .... D26/118  
6,843,581 B2 \* 1/2005 Mier-Langner et al. .... 362/220  
D580,565 S \* 11/2008 Wilkinson ..... D26/24  
D582,581 S \* 12/2008 Wilkinson ..... D26/24

\* cited by examiner

*Primary Examiner*—Philip S Hyder

*Assistant Examiner*—Linda G. Brooks

(74) *Attorney, Agent, or Firm*—Thomas, Kayden, Horstemeyer & Risley, LLP.

(57) **CLAIM**

The ornamental design for an illuminating apparatus, as shown and described.

**DESCRIPTION**

FIG. 1 is a perspective view of an illuminating apparatus showing our design;

FIG. 2 is a front elevation view thereof;

FIG. 3 is a cross section view thereof along the line 3—3 in FIG. 2;

FIG. 4 is a rear elevation view thereof;

FIG. 5 is a left elevation view thereof;

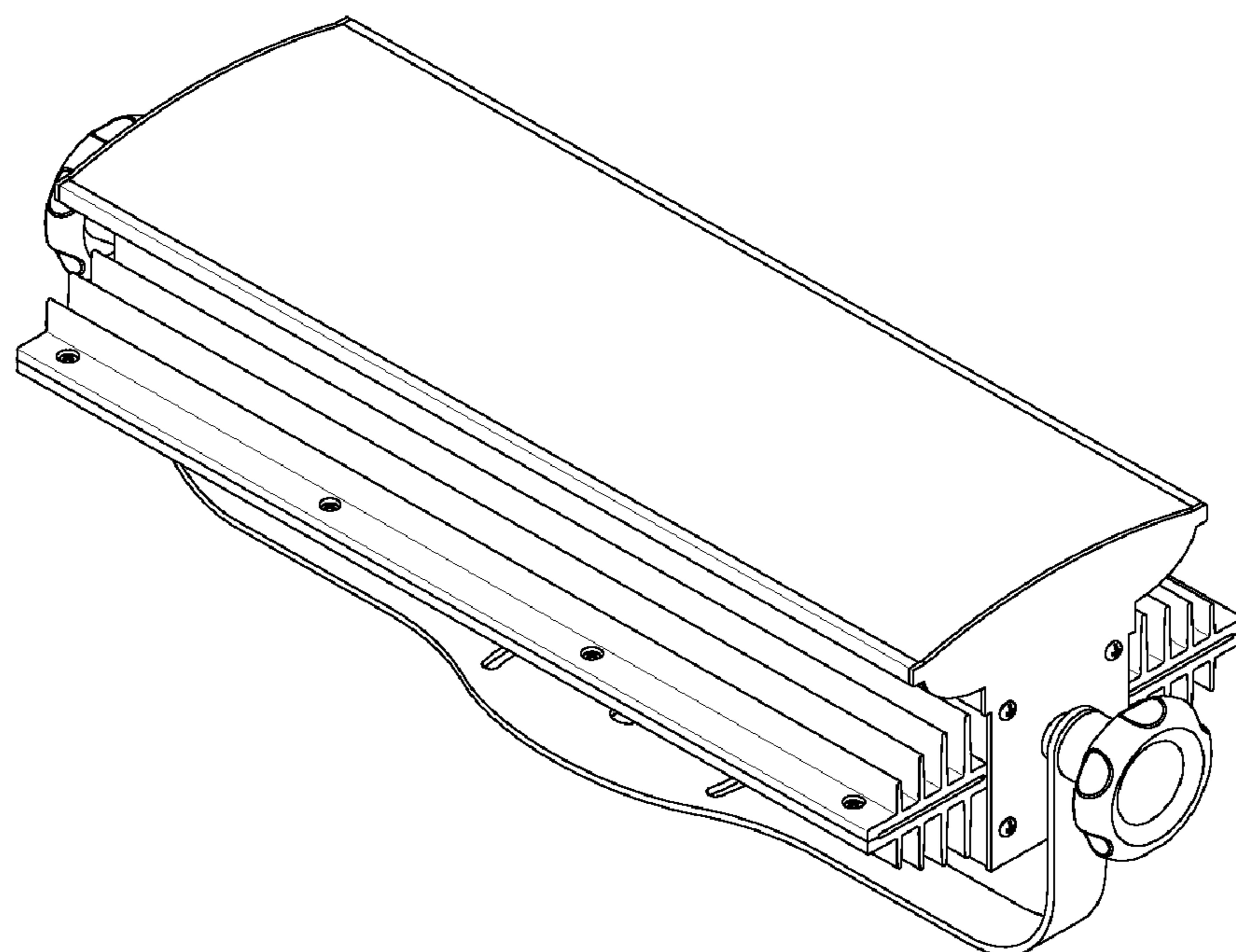
FIG. 6 is a right elevation view thereof;

FIG. 7 is a top plan view thereof; and,

FIG. 8 is a bottom plan view thereof.

The broken lines illustrate portions of the illuminating apparatus that form no part of the claimed design.

**1 Claim, 4 Drawing Sheets**



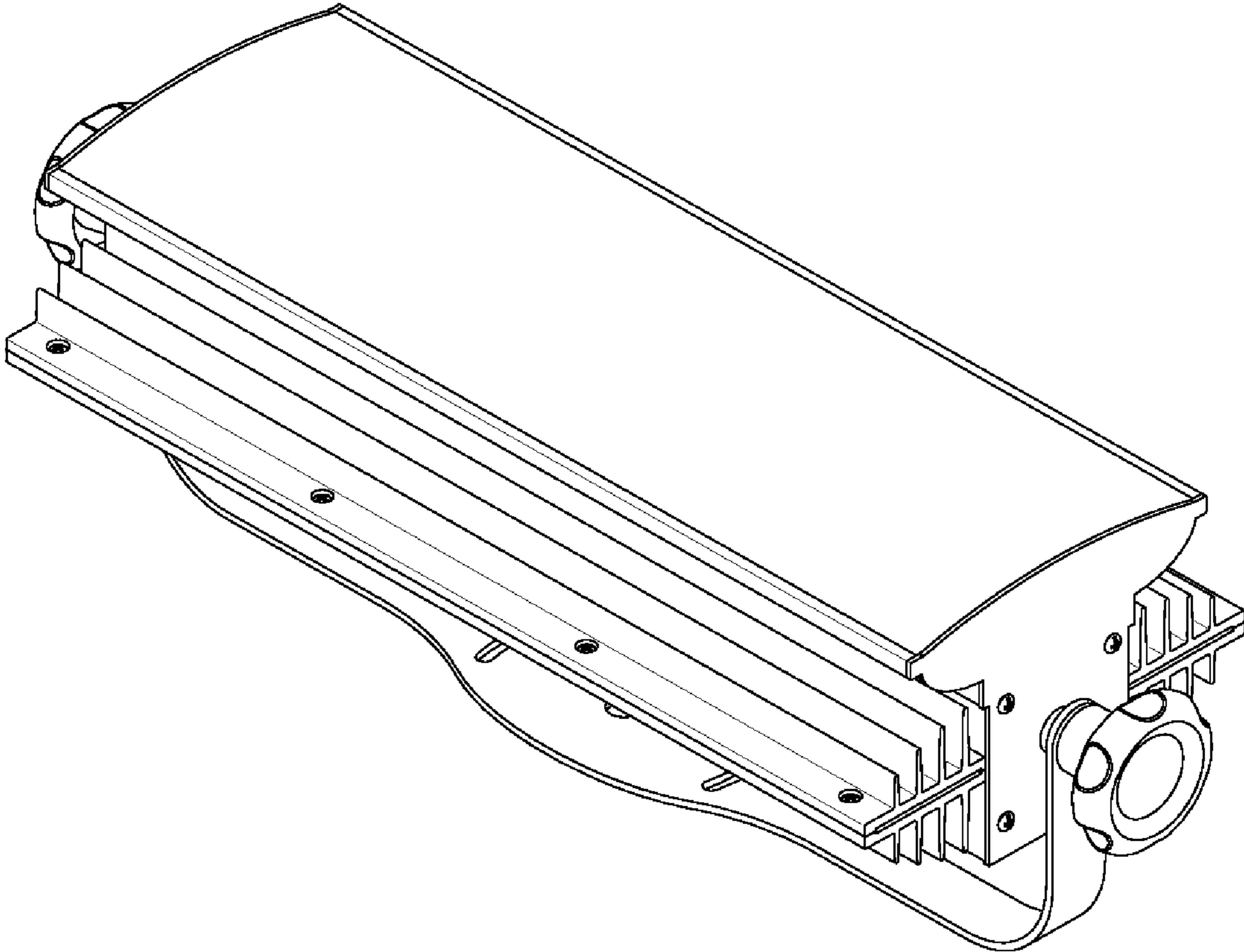


FIG. 1

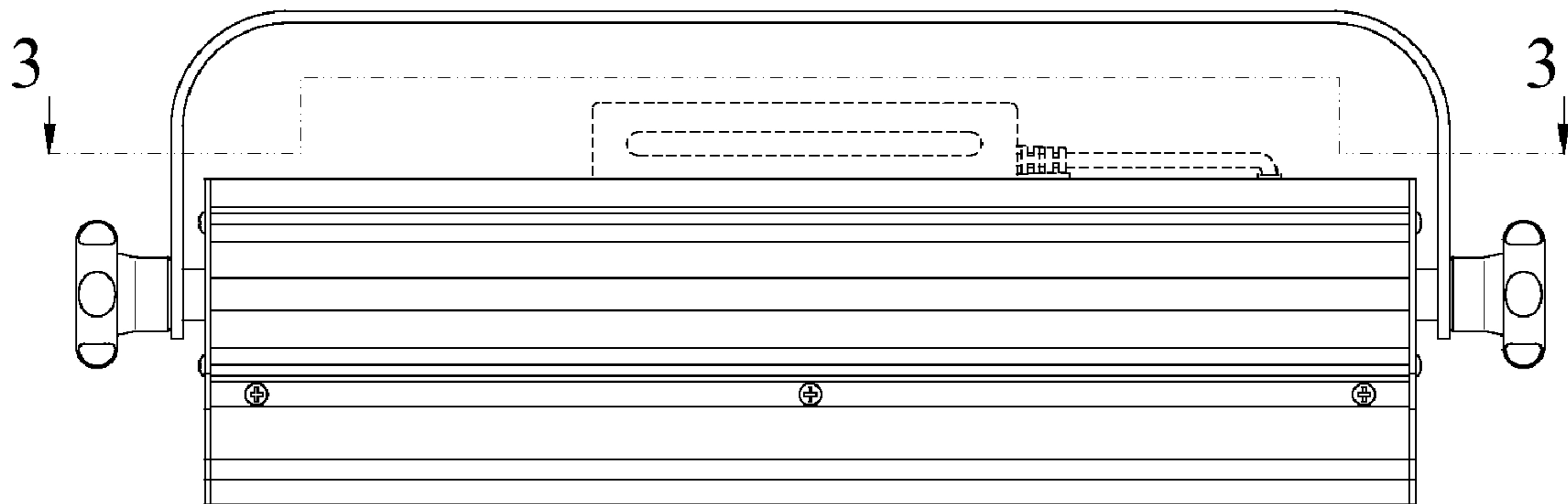


FIG. 2

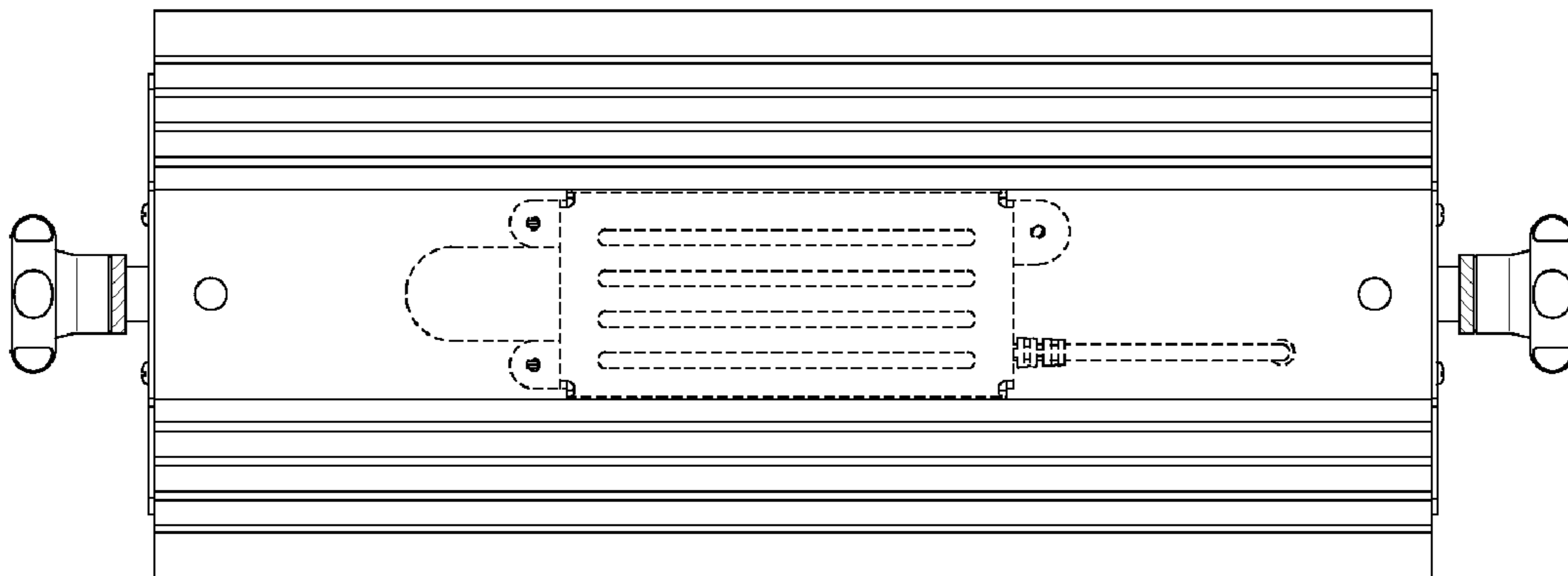


FIG. 3

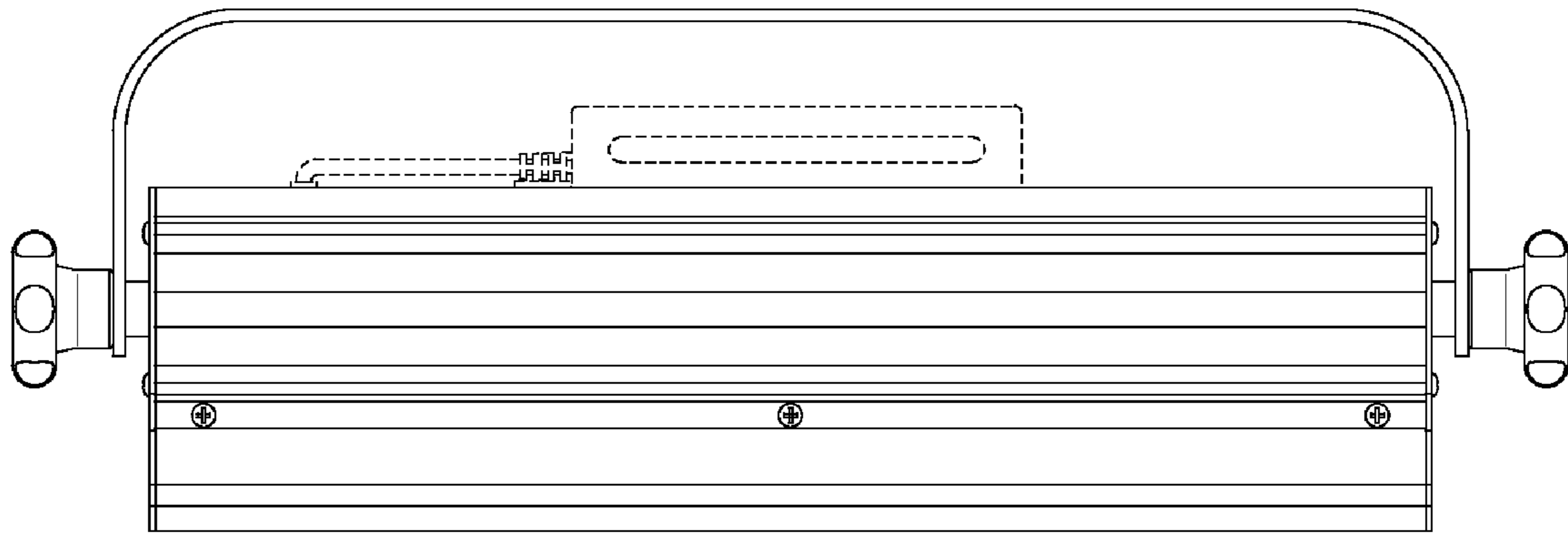


FIG. 4

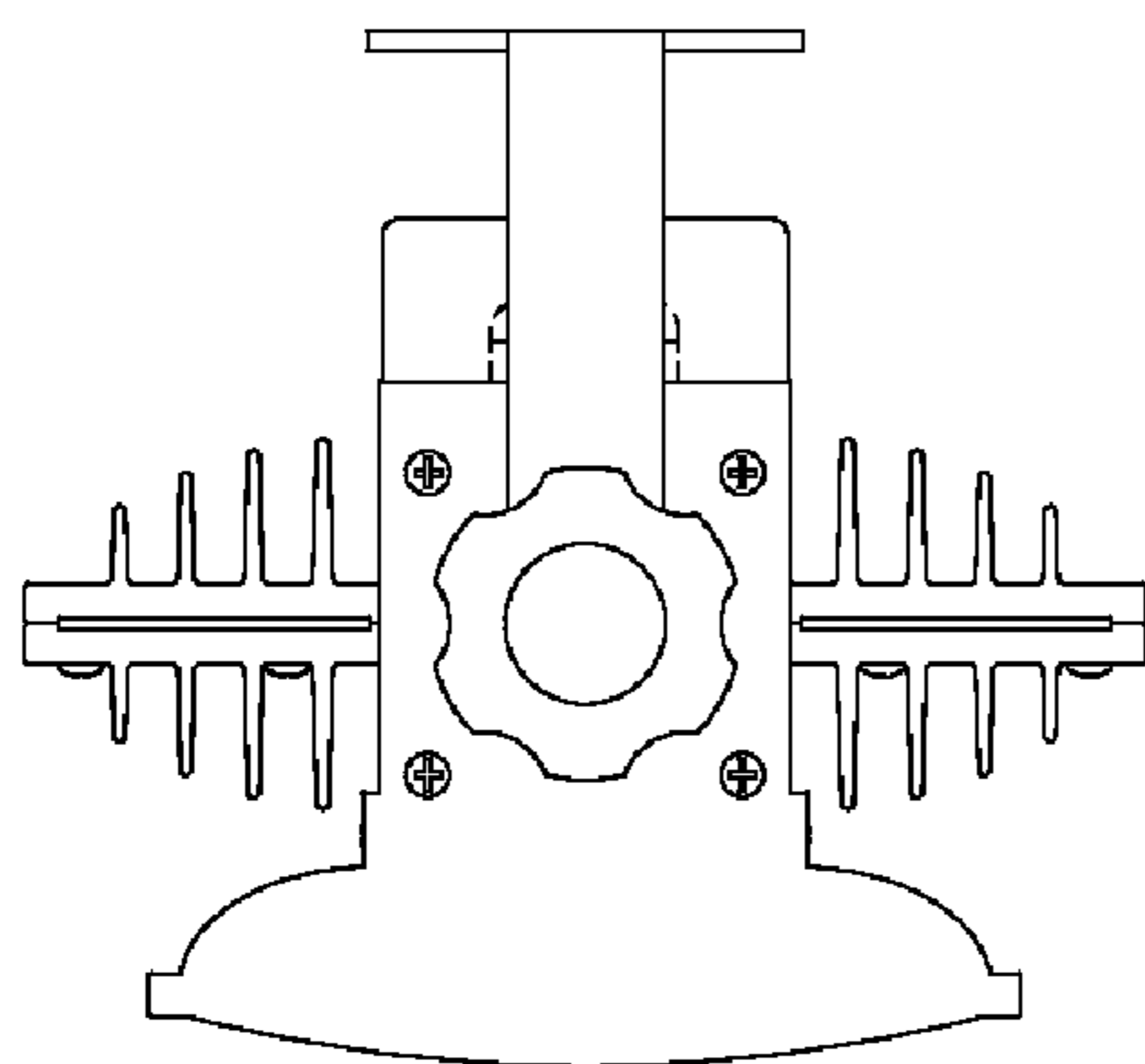


FIG. 5

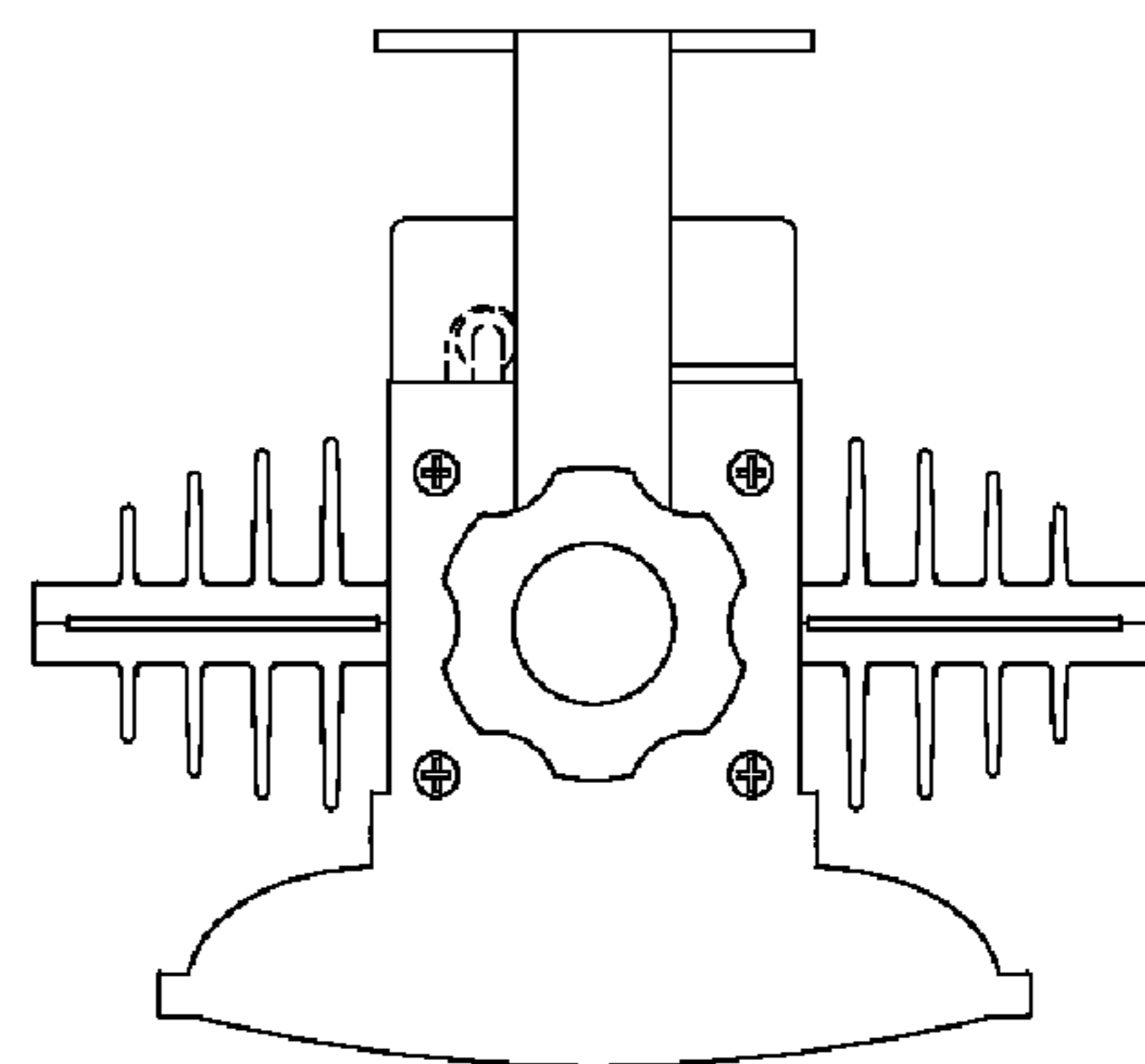


FIG. 6

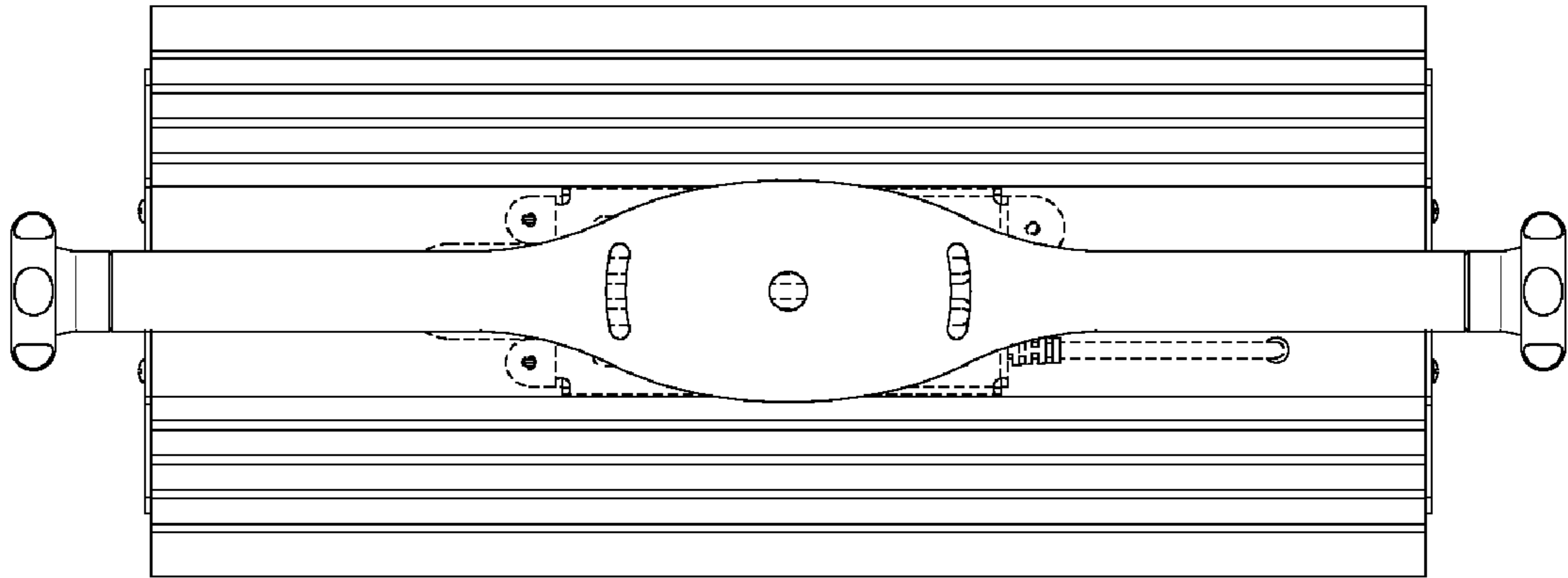


FIG. 7

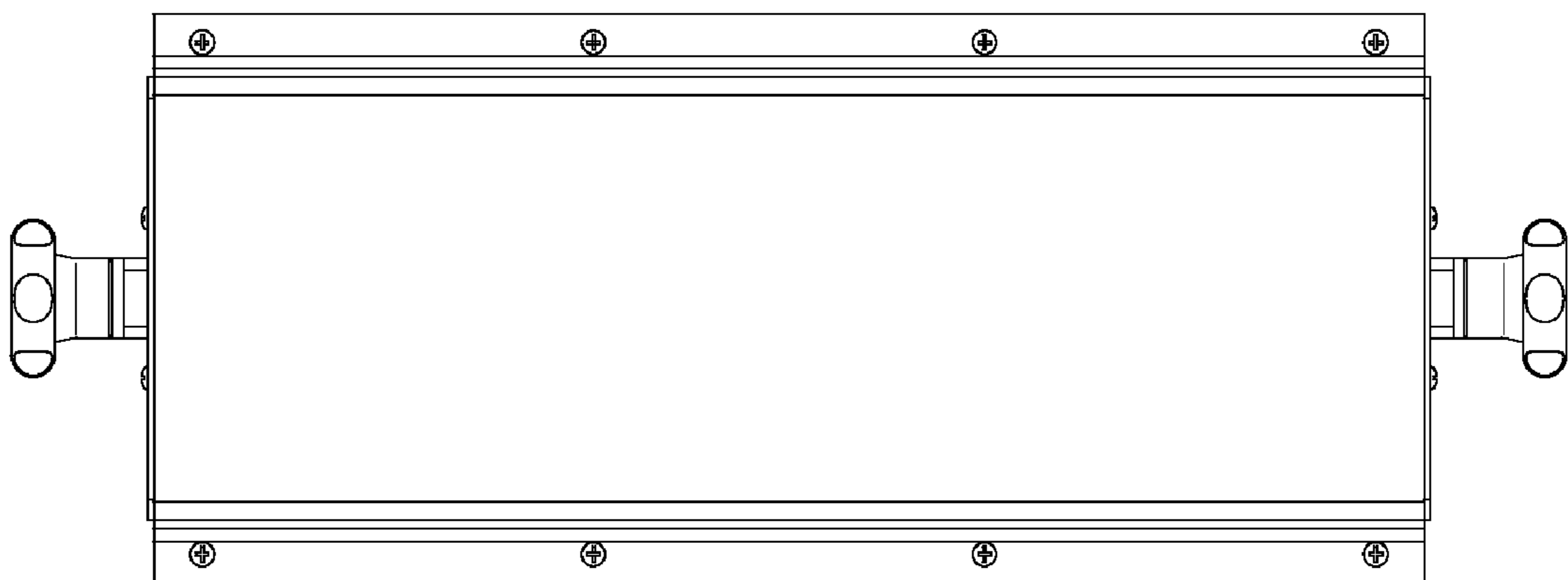


FIG. 8