



US00D623323S

(12) **United States Design Patent**  
**Kung**

(10) **Patent No.:** **US D623,323 S**

(45) **Date of Patent:** **\*\* Sep. 7, 2010**

(54) **LED LAMP UNIT**

(75) Inventor: **Kenneth Kung**, Columbus, OH (US)

(73) Assignee: **Dorcy International Inc.**, Columbus

(\*\*) Term: **14 Years**

(21) Appl. No.: **29/331,069**

(22) Filed: **Jan. 20, 2009**

(51) **LOC (9) Cl.** ..... **26-02**

(52) **U.S. Cl.** ..... **D26/45**

(58) **Field of Classification Search** ..... D26/37,  
D26/38, 40-44, 46, 48, 49; 362/157, 158,  
362/171-174, 183, 191-208

See application file for complete search history.

(56) **References Cited**

**U.S. PATENT DOCUMENTS**

D469,900 S *	2/2003	Galli	.....	D26/37
D470,960 S *	2/2003	Kung	.....	D26/42
D481,146 S *	10/2003	Yuen	.....	D26/37
D481,482 S *	10/2003	Mah	.....	D26/37
D483,135 S *	12/2003	Meoli	.....	D26/37
D487,810 S *	3/2004	Kingston et al.	.....	D26/44
D504,737 S *	5/2005	Osiecki et al.	.....	D26/37
D529,211 S *	9/2006	Lee	.....	D26/37
D564,113 S *	3/2008	Yuen	.....	D26/42

D565,768 S *	4/2008	Shiu	.....	D26/49
D566,314 S *	4/2008	Jen	.....	D26/49
D579,135 S *	10/2008	Shiu	.....	D26/49
D586,488 S *	2/2009	Kung	.....	D26/49

\* cited by examiner

*Primary Examiner*—Charles A Rademaker

*Assistant Examiner*—Carissa C Fitts

(57) **CLAIM**

The ornamental design for LED lamp unit, as shown and described.

**DESCRIPTION**

FIG. 1 is a front elevational view of a LED lamp unit showing my new design;

FIG. 2 is a rear elevational view thereof;

FIG. 3 is a left side view thereof;

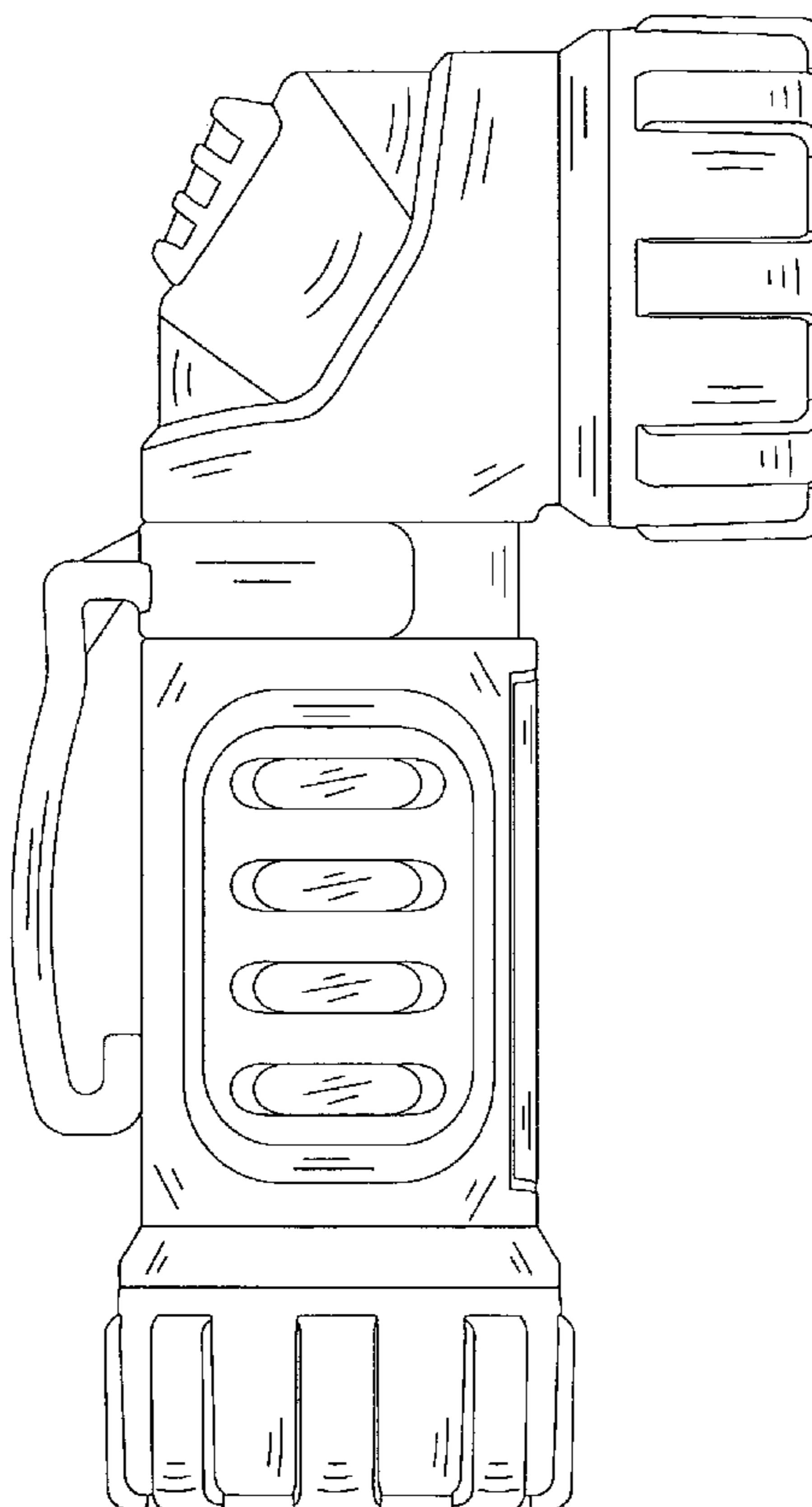
FIG. 4 is a right side view thereof;

FIG. 5 is a top plan view thereof; and,

FIG. 6 is a bottom plan view thereof.

The broken line showing of the bottom surface in FIG. 6 is to show environmental structure only and forms no part of the claimed design.

**1 Claim, 4 Drawing Sheets**



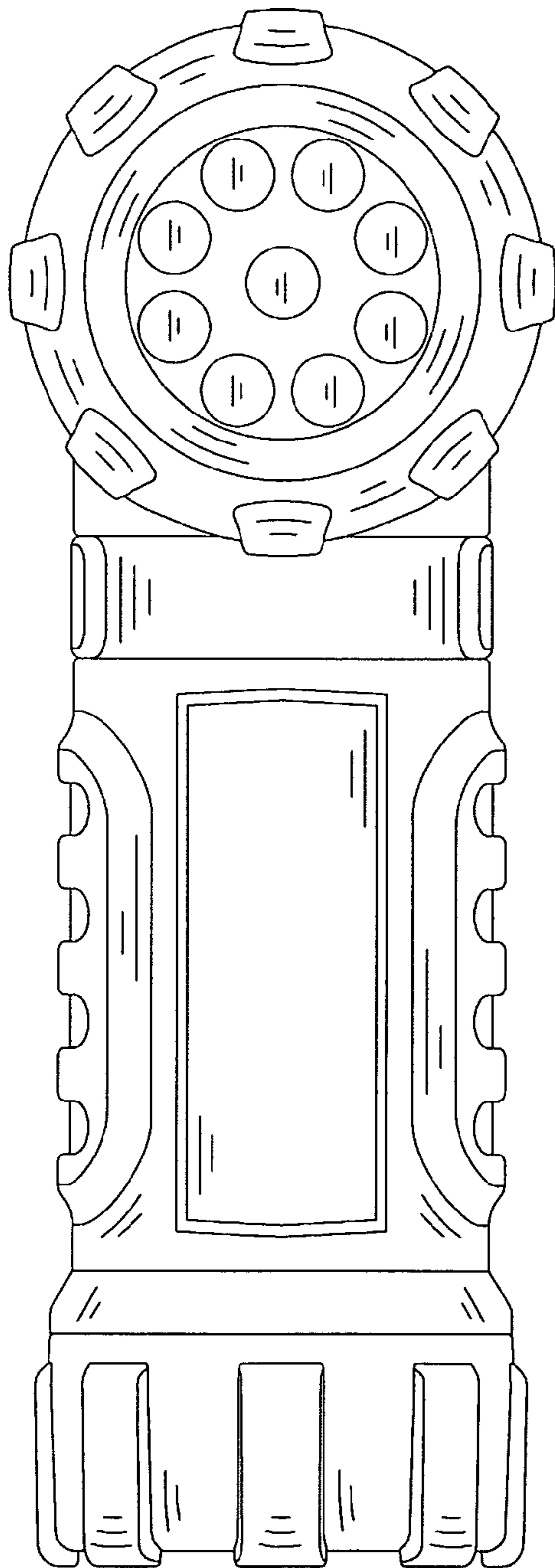


FIG. 1

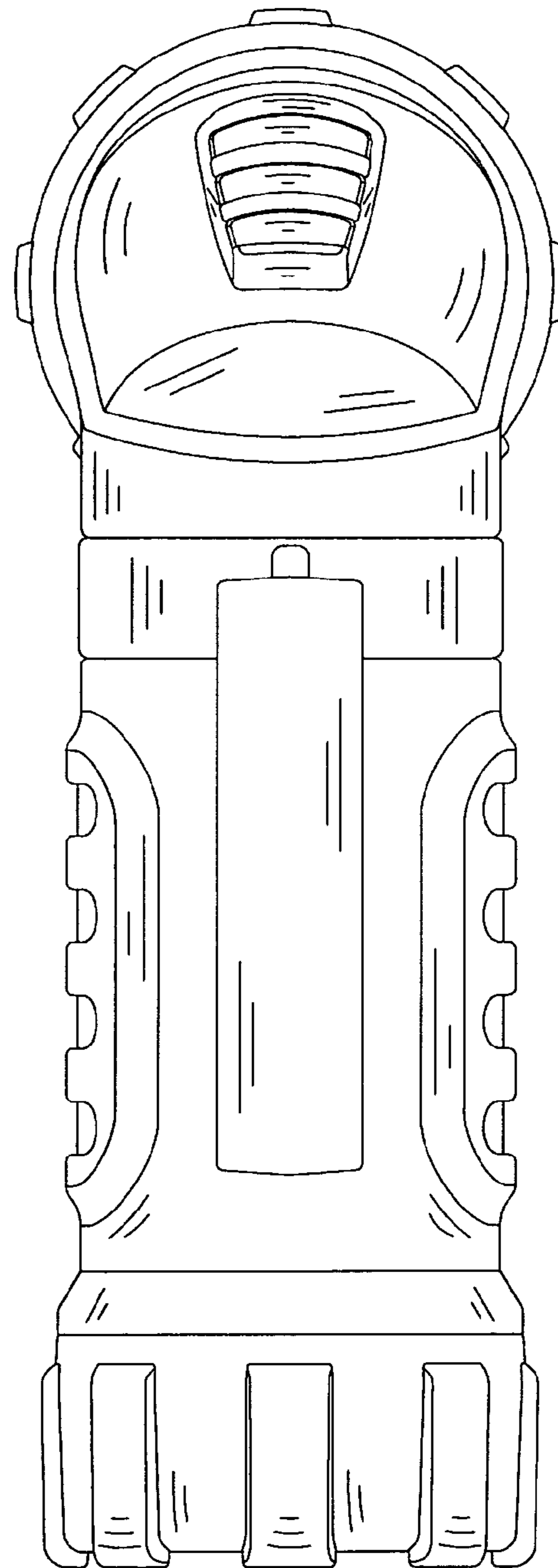


FIG. 2

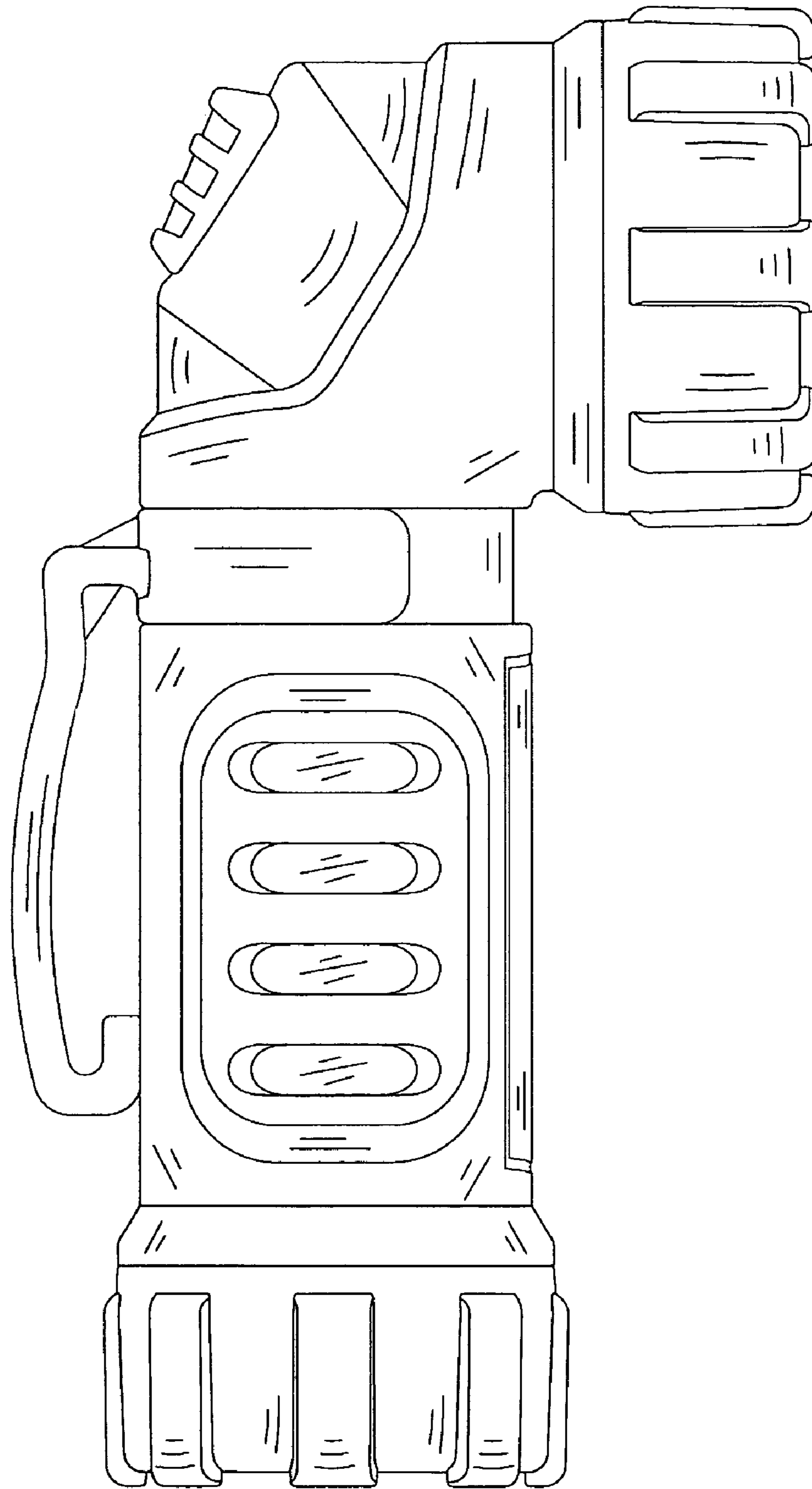


FIG. 3

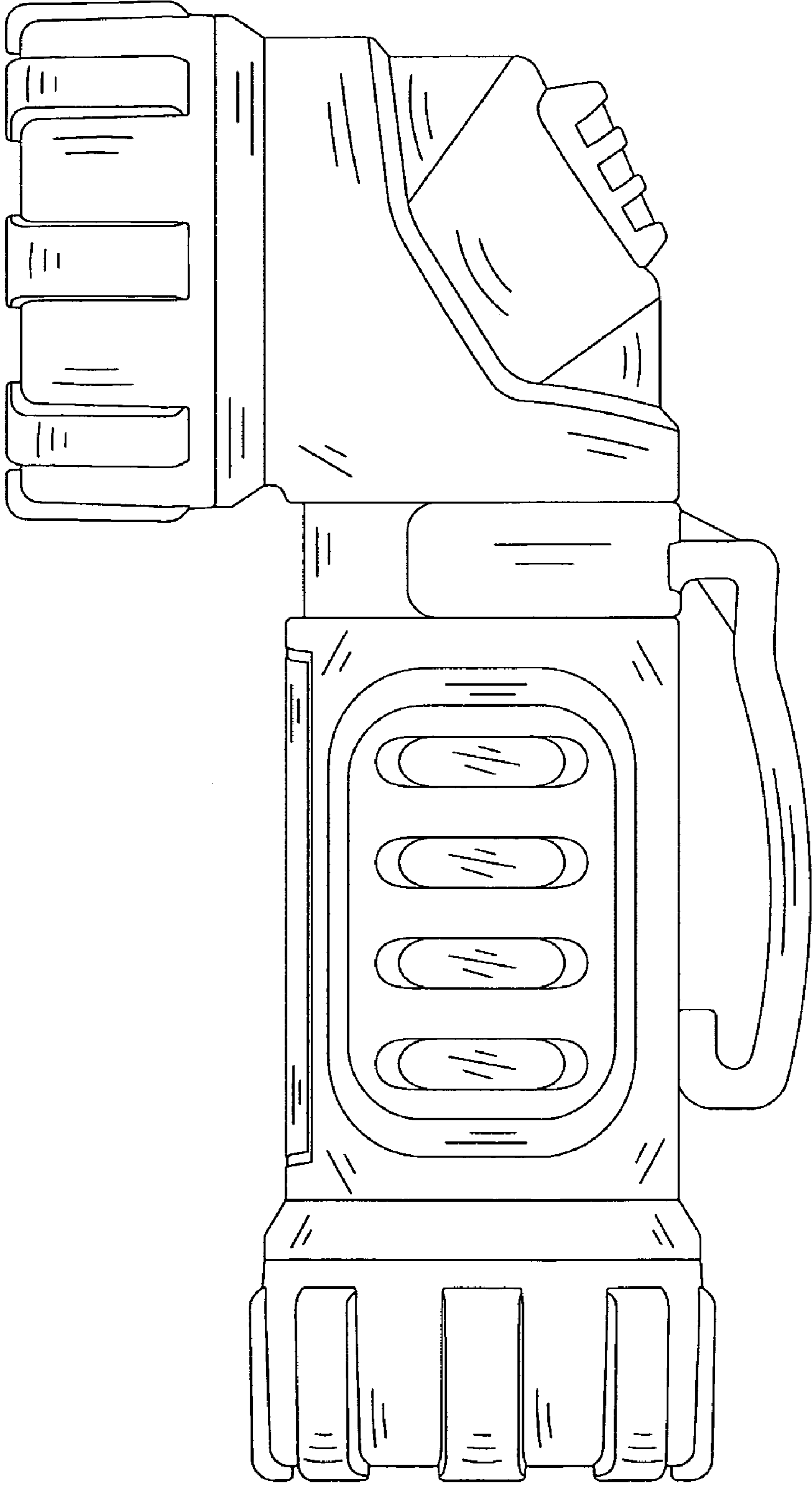


FIG. 4

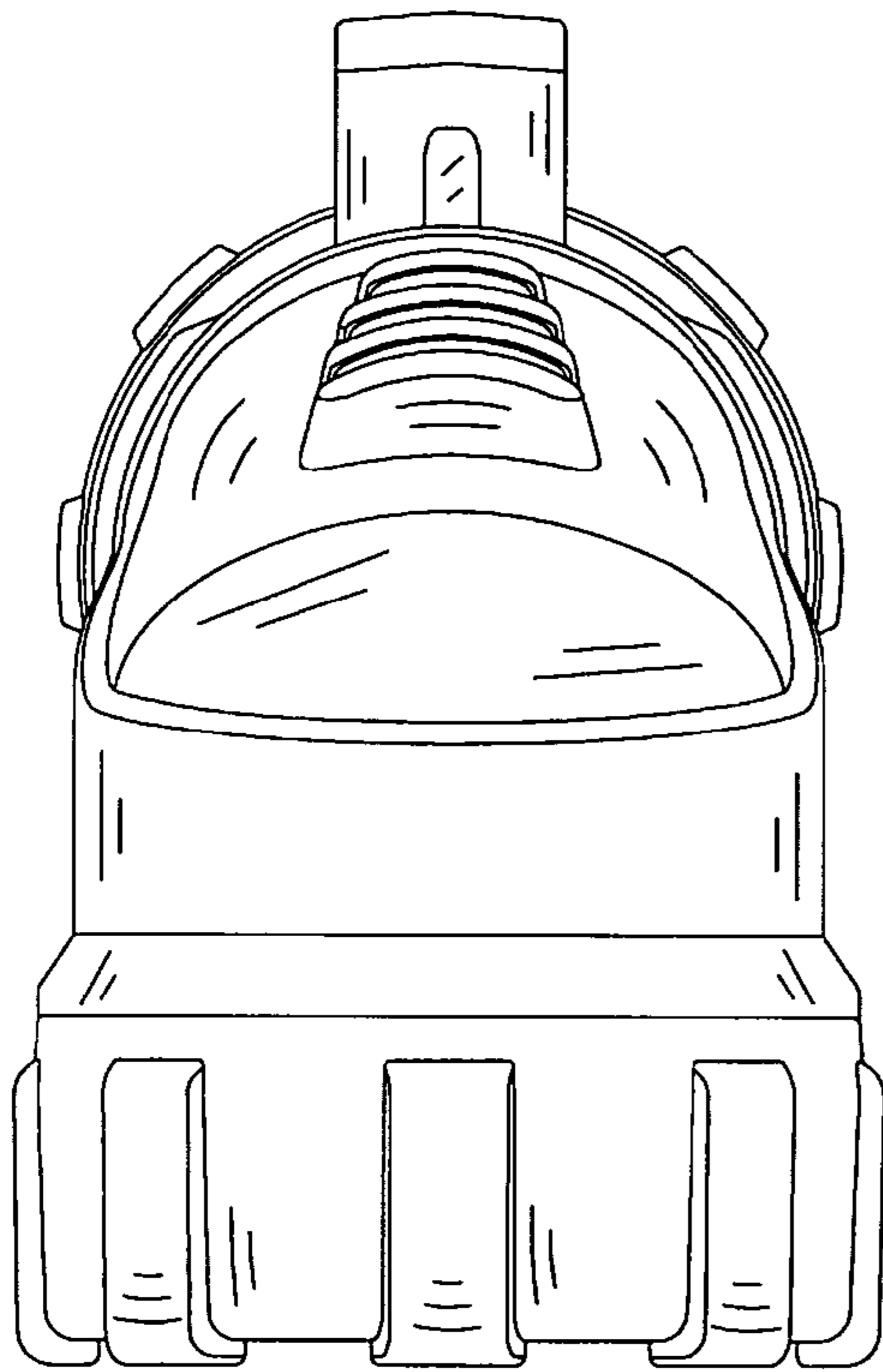


FIG. 5

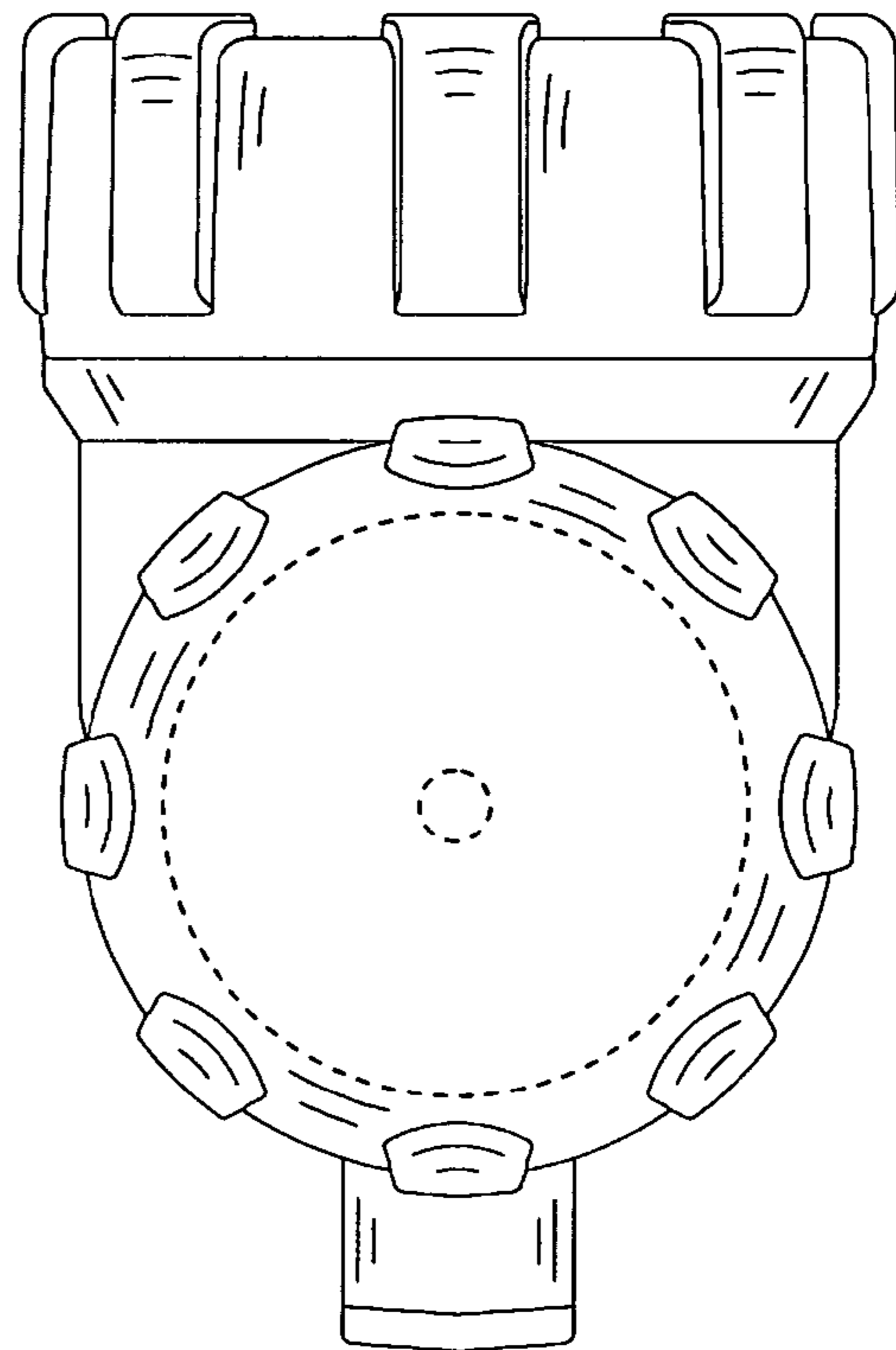


FIG. 6