



US00D623322S

(12) **United States Design Patent**
Wallach et al.

(10) **Patent No.:** **US D623,322 S**
(45) **Date of Patent:** **** *Sep. 7, 2010**

(54) **COMBINATION CHARGER AND
RELEASABLE FLASHLIGHT**

(75) Inventors: **Stewart Wallach**, Delray Beach, FL
(US); **Yi-Chuan Liu**, Taipei (TW)

(73) Assignee: **Capstone Industries, Inc.**, Deerfield
Beach, FL (US)

(**) Term: **14 Years**

(21) Appl. No.: **29/324,435**

(22) Filed: **Sep. 11, 2008**

(51) **LOC (9) Cl.** **26-02**

(52) **U.S. Cl.** **D26/38; D13/108**

(58) **Field of Classification Search** D26/37,
D26/38, 39, 40, 43, 46, 47, 51; 362/192,
362/193, 124, 109-114, 190, 191, 157, 158,
362/183, 194, 195, 196-208; D21/709, 713;
D14/434; D13/107-110, 118, 119, 184;
320/107-115

See application file for complete search history.

(56) **References Cited**

U.S. PATENT DOCUMENTS

D334,993 S * 4/1993 Lee D26/38

(Continued)

Primary Examiner—Charles A Rademaker

Assistant Examiner—Carissa C Fitts

(57) **CLAIM**

The ornamental design for a combination charger and releasable flashlight, as shown and described.

DESCRIPTION

FIG. 1 is a perspective view of a combination charger and releasable flashlight showing my new design;

FIG. 2 is a front end view thereof;

FIG. 3 is a rear end view thereof;

FIG. 4 is a right side view thereof;

FIG. 5 is a left side view thereof;

FIG. 6 is a top plan view thereof;

FIG. 7 is a bottom plan view thereof;

FIG. 8 is perspective view of the charger of the combination charger and releasable flashlight;

FIG. 9 is a rear end view of the charger of the combination charger and releasable flashlight;

FIG. 10 is a front end view of the charger of the combination charger and releasable flashlight;

FIG. 11 is a right side view of the charger of the combination charger and releasable flashlight;

FIG. 12 is a left side view of the charger of the combination charger and releasable flashlight;

FIG. 13 is a top plan view of the charger of the combination charger and releasable flashlight;

FIG. 14 is a bottom plan view of the charger of the combination charger and releasable flashlight;

FIG. 15 is perspective view of the releasable flashlight of the combination charger and releasable flashlight;

FIG. 16 is a front end view of the releasable flashlight of the combination charger and releasable flashlight;

FIG. 17 is a rear end view of the releasable flashlight of the combination charger and releasable flashlight;

FIG. 18 is a left side view of the releasable flashlight of the combination charger and releasable flashlight;

FIG. 19 is a right side view of the releasable flashlight of the combination charger and releasable flashlight;

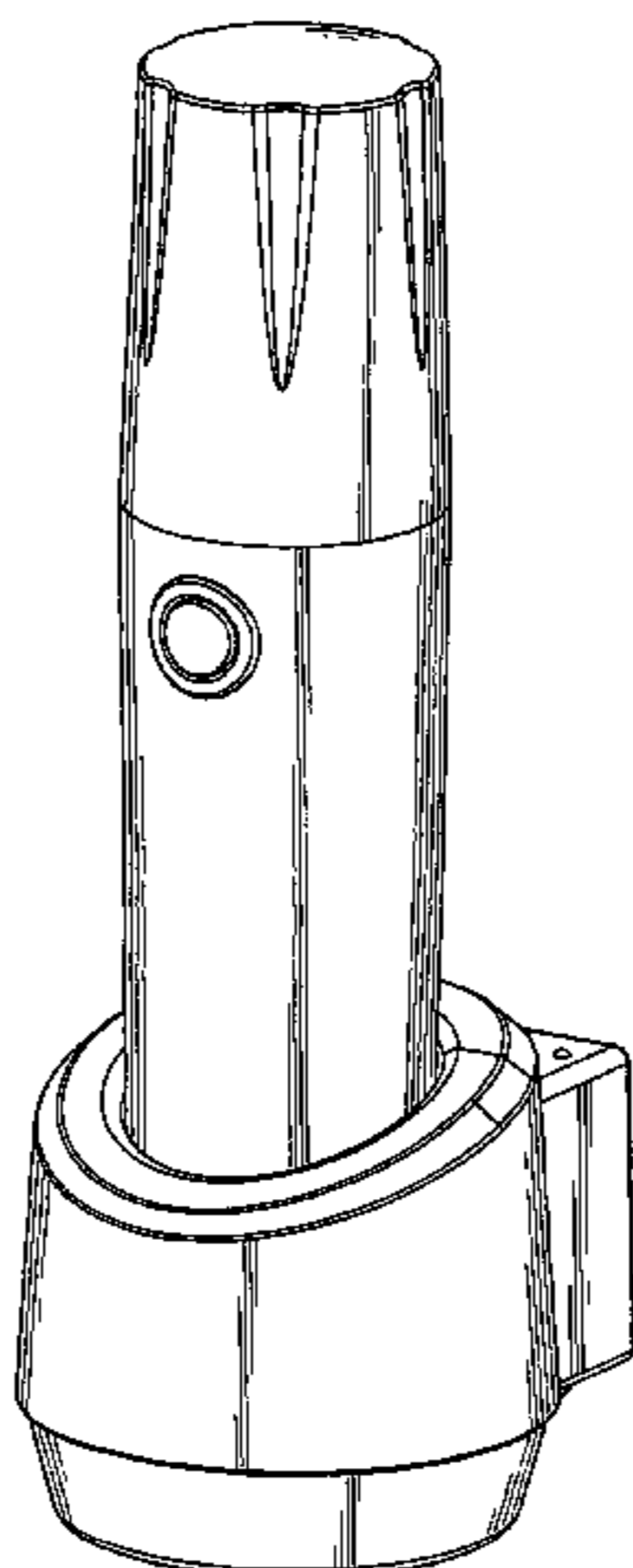
FIG. 20 is a top plan view of the releasable flashlight of the combination charger and releasable flashlight; and,

FIG. 21 is a bottom plan view of the releasable flashlight of the combination charger and releasable flashlight.

The broken line showing is for illustrative purposes only and forms no part of the claimed design.

The broken lines showing are for the purpose of illustrating certain contours of the respective views and form no part of the claimed design.

1 Claim, 17 Drawing Sheets



US D623,322 S

Page 2

U.S. PATENT DOCUMENTS

D357,990 S *	5/1995	Cheng et al.	D26/38	D539,456 S *	3/2007	Sassoon et al.	D26/37
D377,538 S *	1/1997	Blevins	D26/38	D553,772 S *	10/2007	Campbell et al.	D26/37
D409,563 S *	5/1999	Haase et al.	D13/107	D555,820 S *	11/2007	Lam	D26/38
D432,689 S *	10/2000	Yuen	D26/38	D563,314 S *	3/2008	Kingston et al.	D13/108
D463,361 S *	9/2002	Ruohonen	D13/108	D576,547 S *	9/2008	Kling et al.	D13/108
D475,346 S *	6/2003	McCurrach et al.	D13/108	D577,139 S *	9/2008	Brown et al.	D26/38
D485,925 S *	1/2004	Oas	D26/38	D577,140 S *	9/2008	Brown et al.	D26/38
D494,693 S *	8/2004	Krieger et al.	D26/37	D578,061 S *	10/2008	Kristensen	D13/110
D496,480 S *	9/2004	Slattery et al.	D26/38	D581,566 S *	11/2008	Slawson et al.	D26/38
D526,959 S *	8/2006	Maglica et al.	D13/108	D585,369 S *	1/2009	Castellucci et al.	D13/108

* cited by examiner

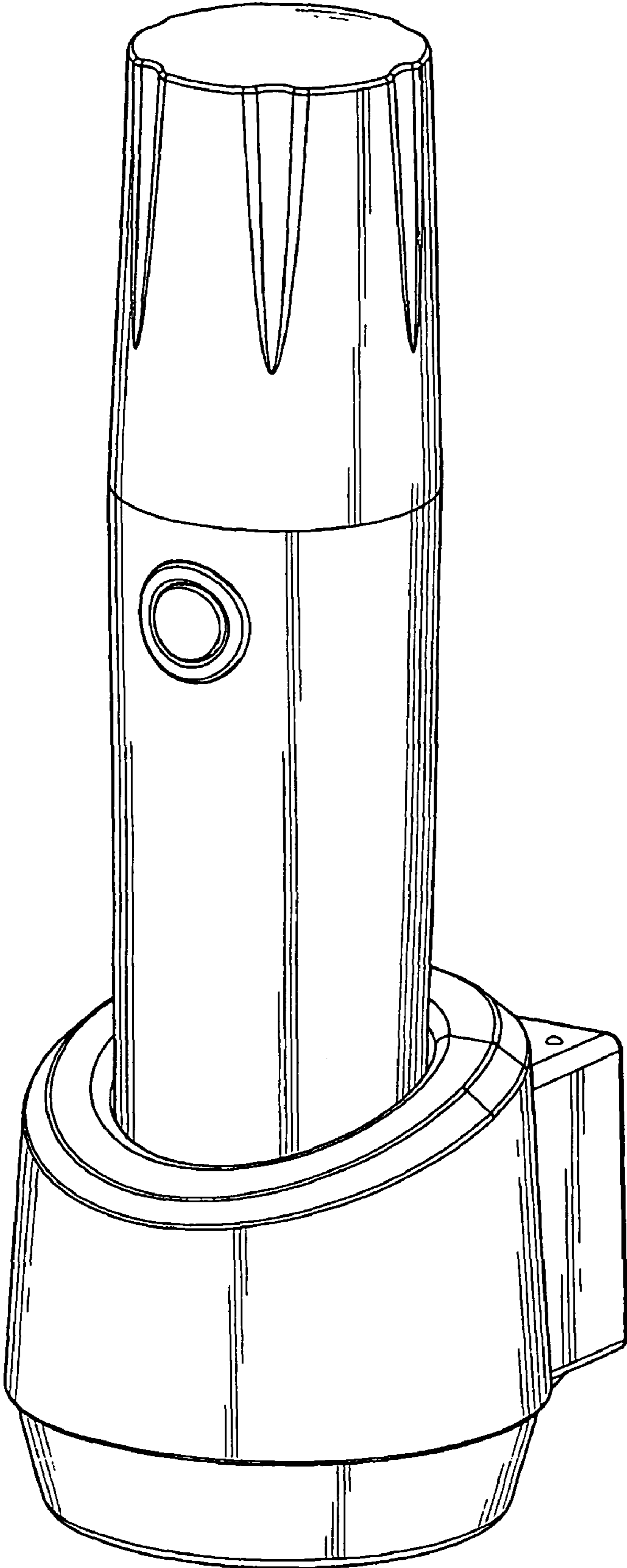


FIG. 1

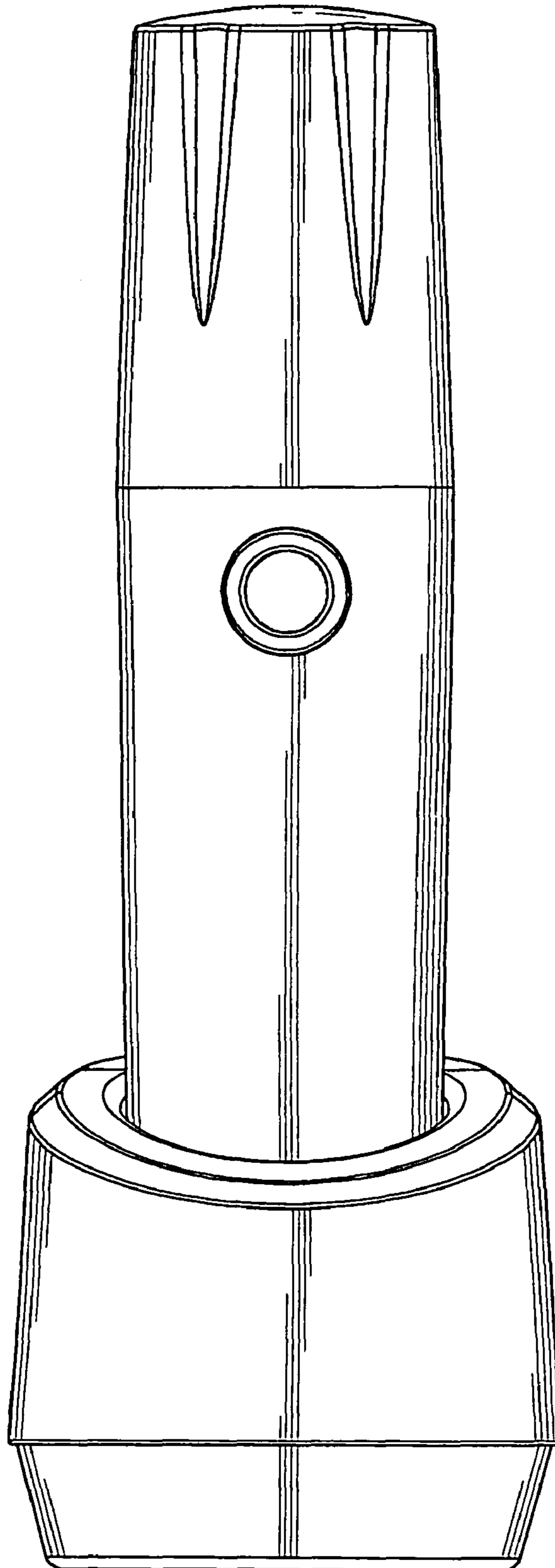


FIG. 2

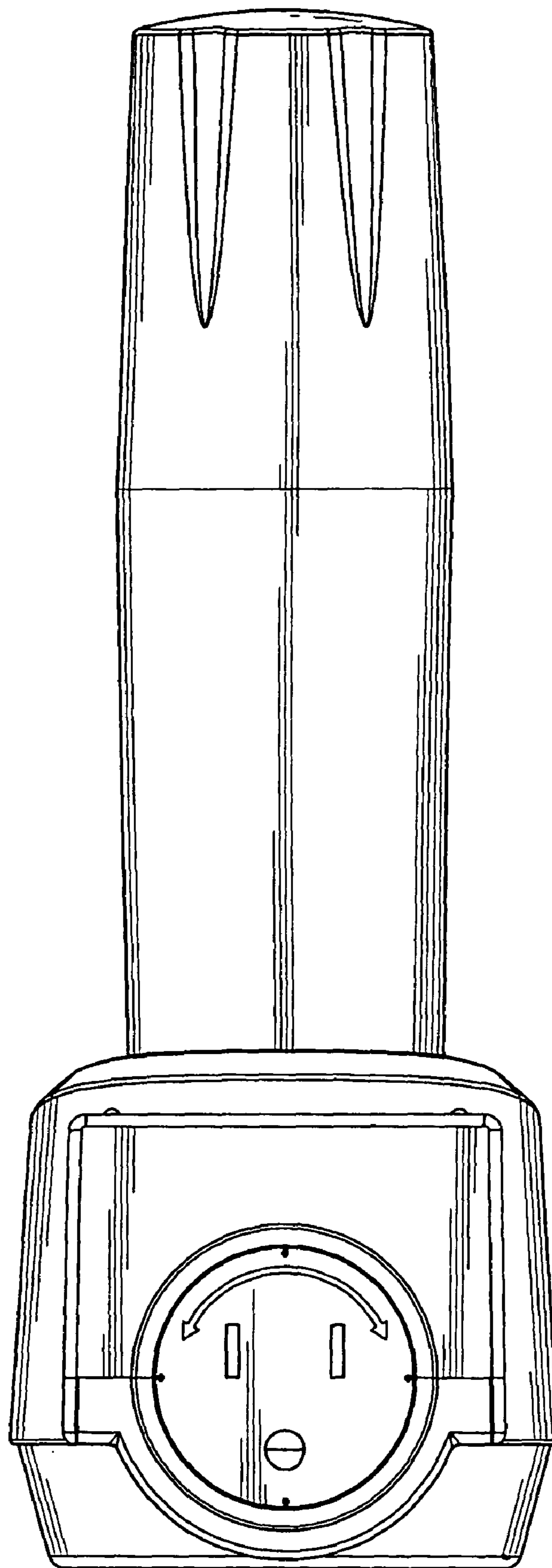


FIG. 3

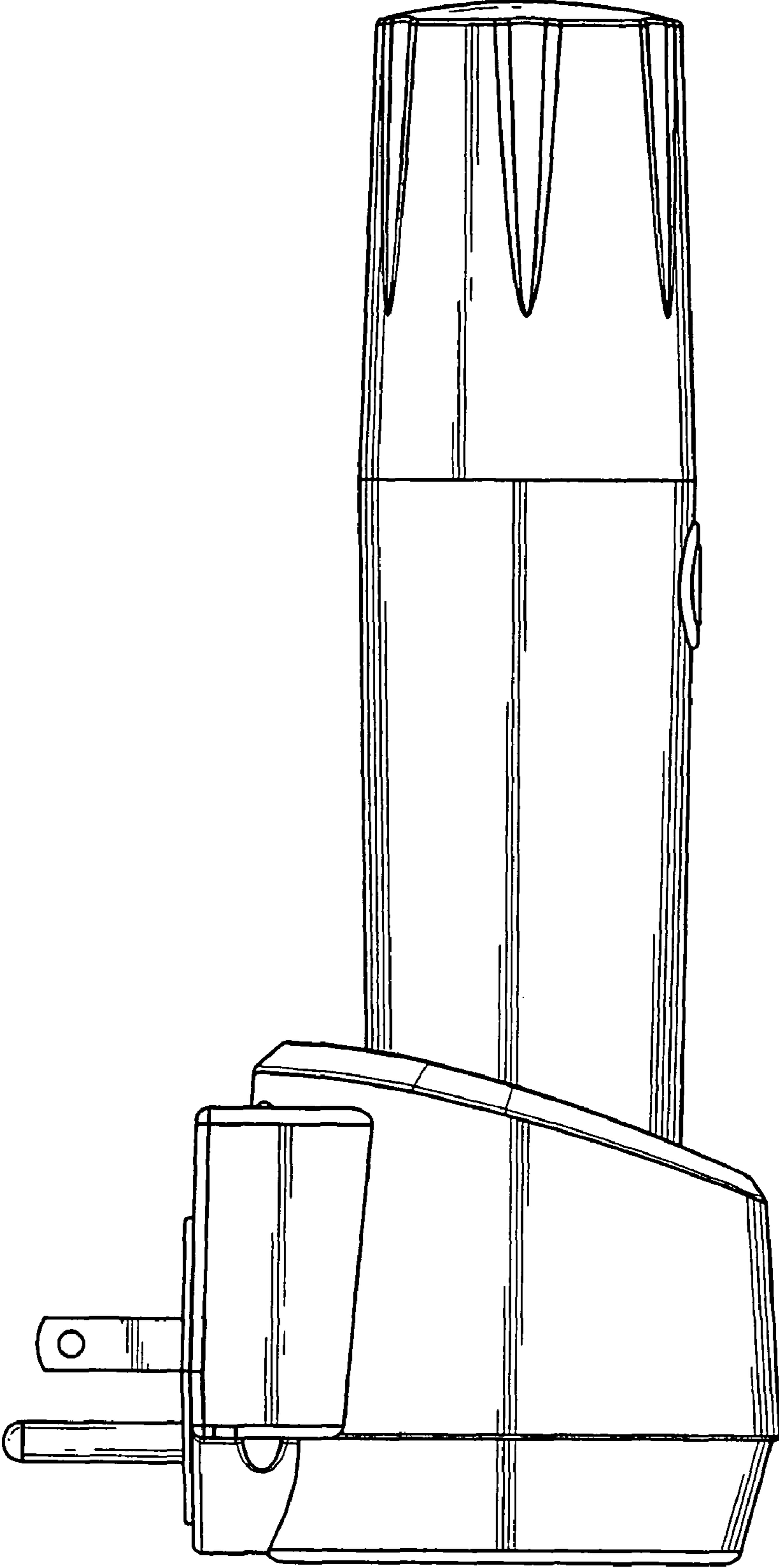


FIG. 4

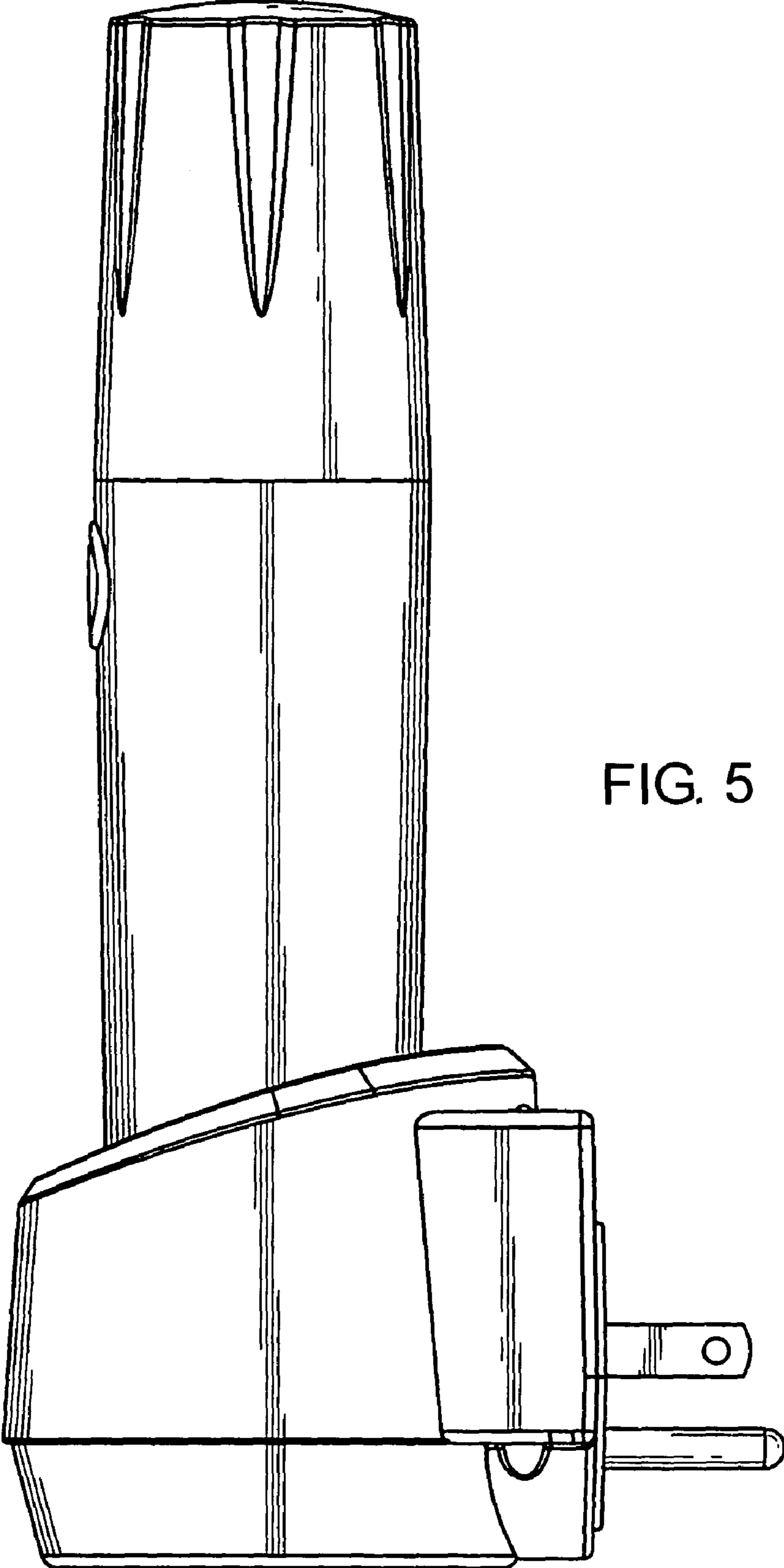


FIG. 5

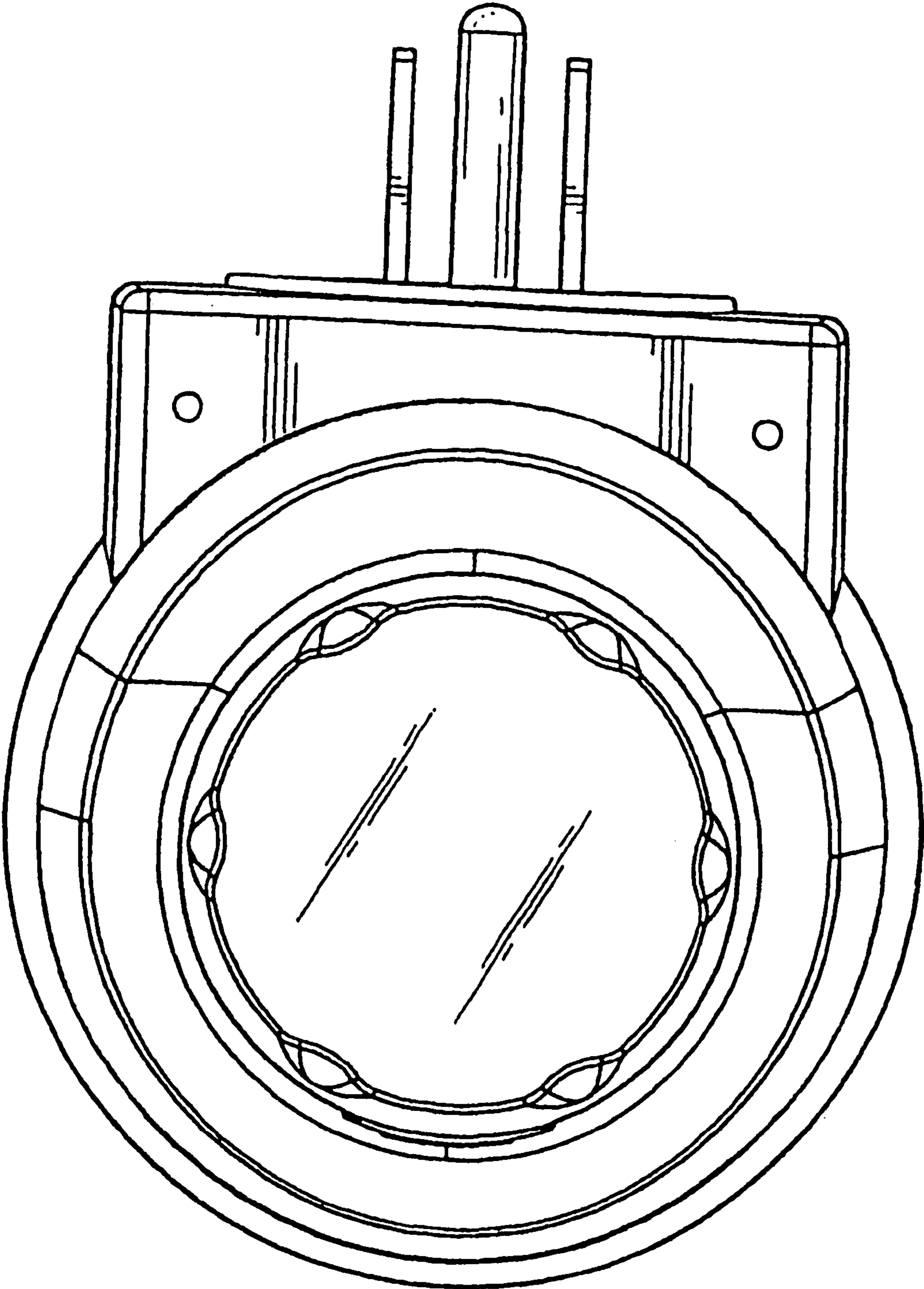


FIG. 6

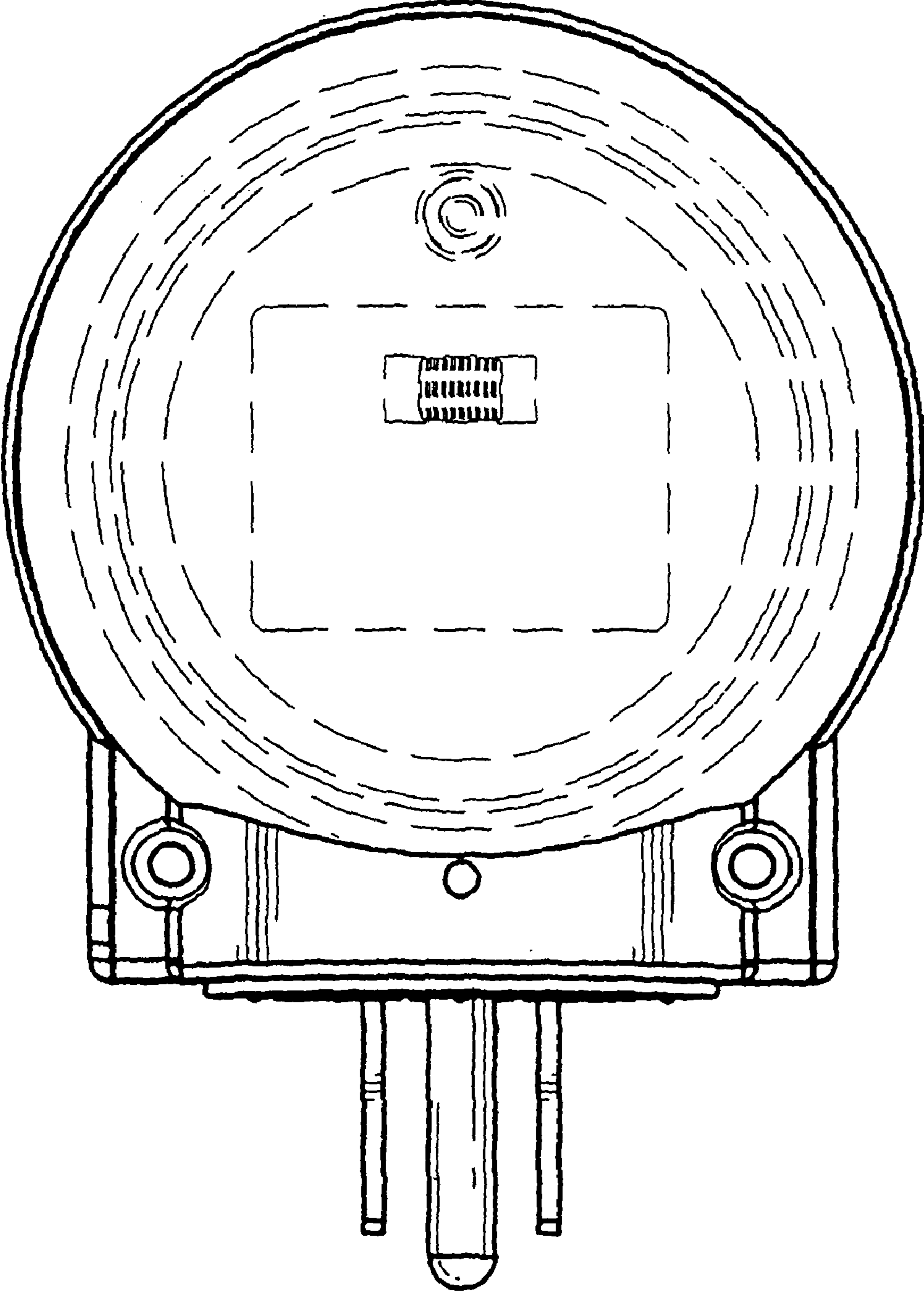


FIG. 7

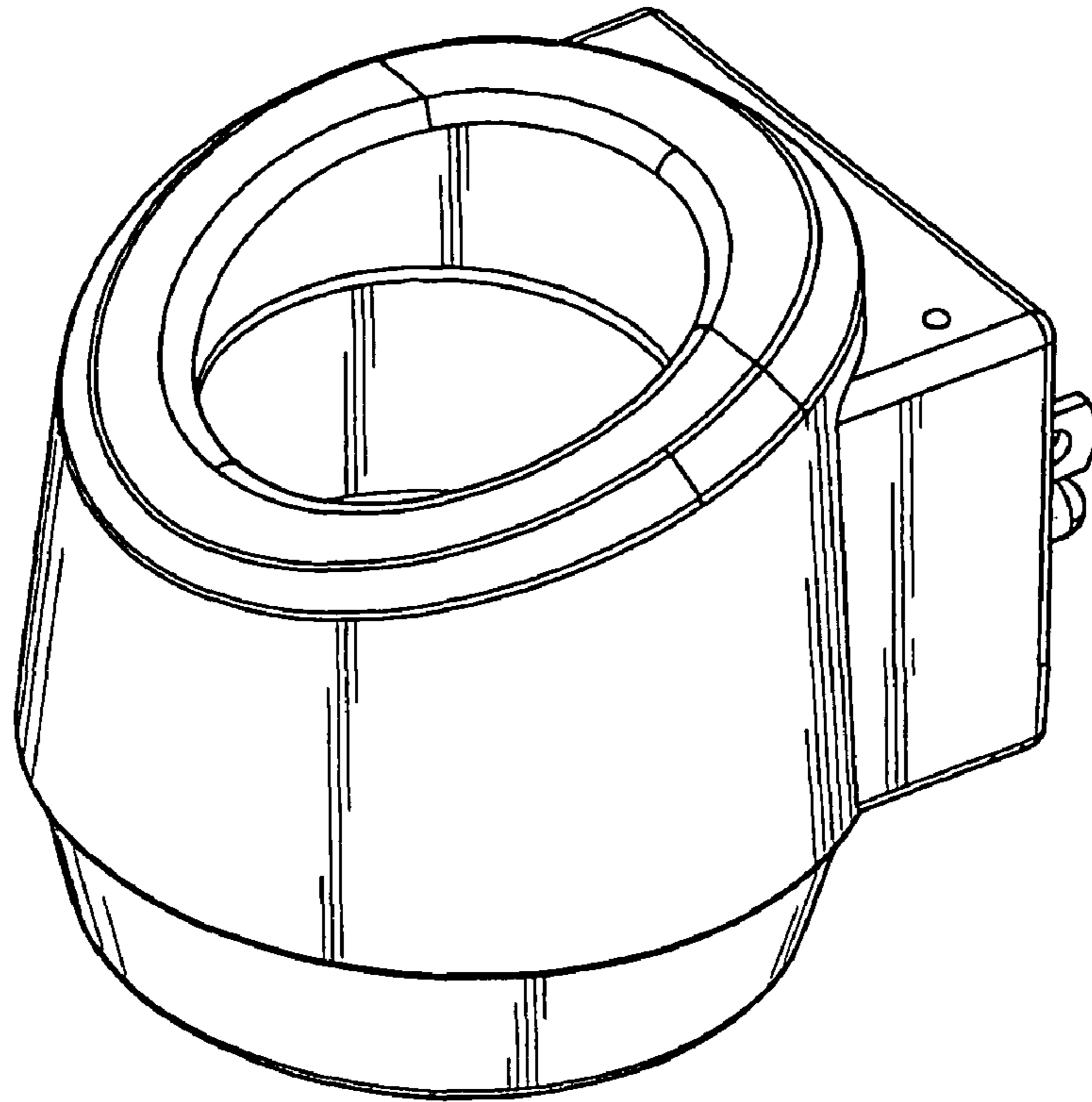


FIG. 8

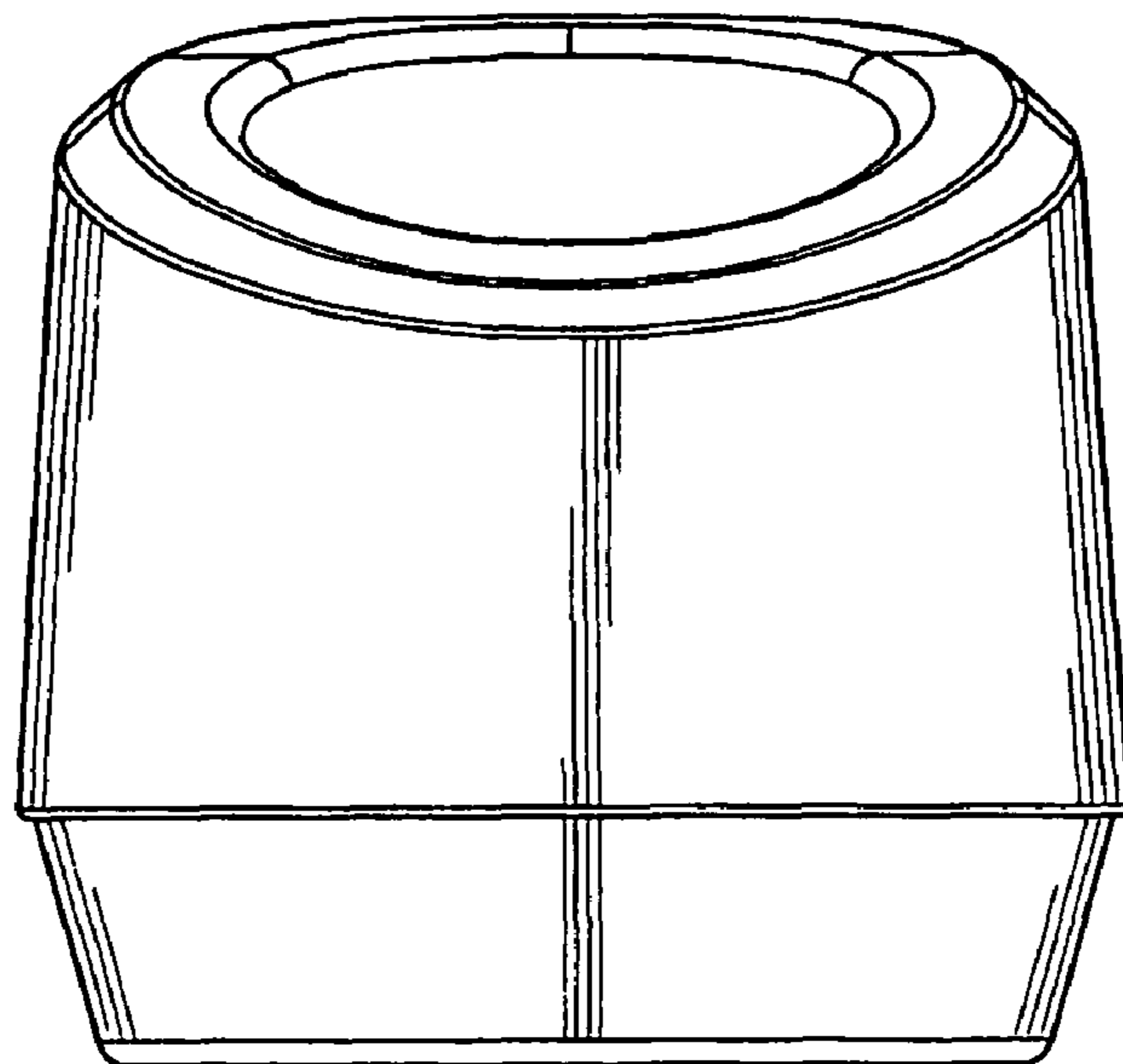


FIG. 9

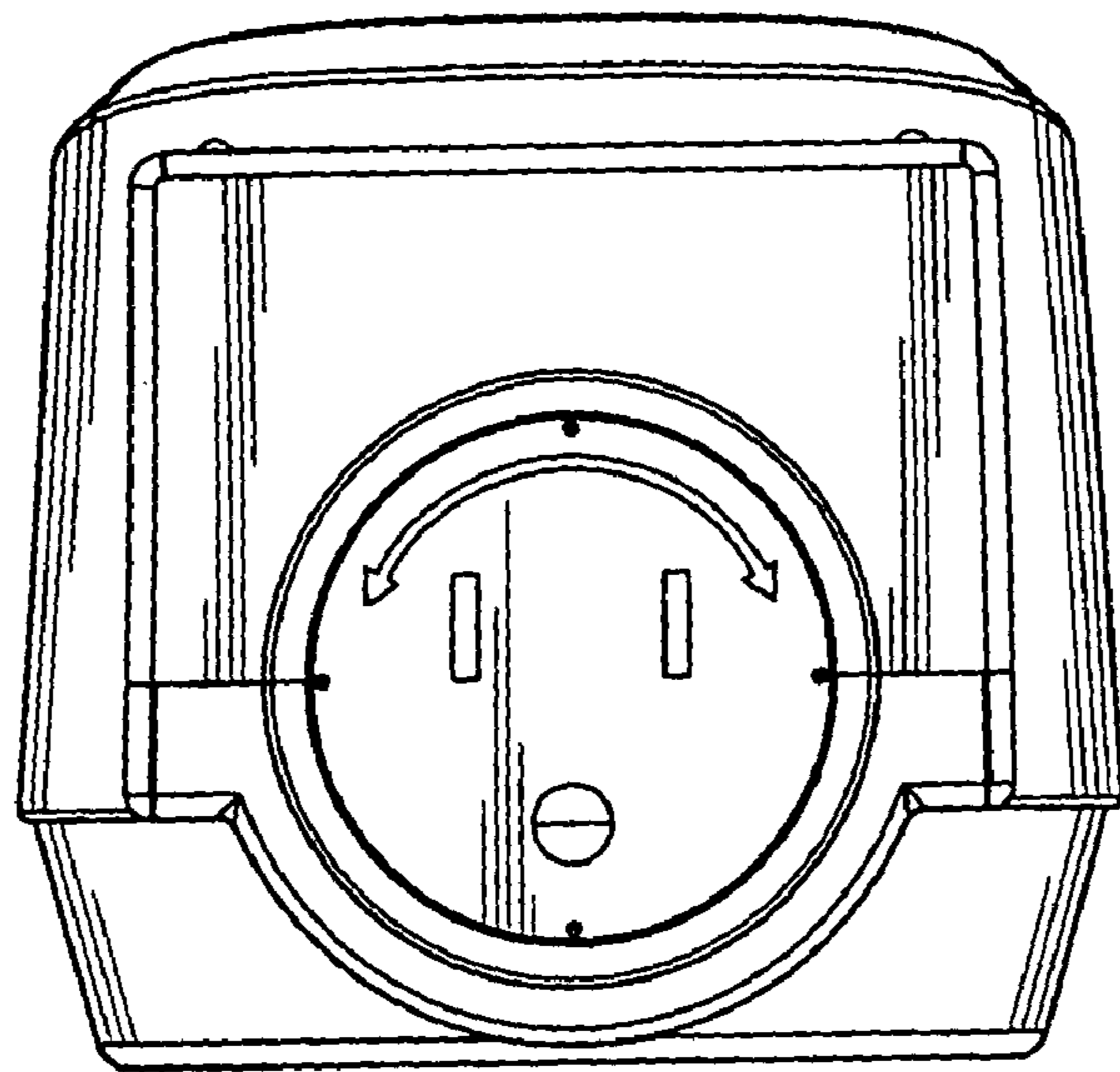


FIG. 10

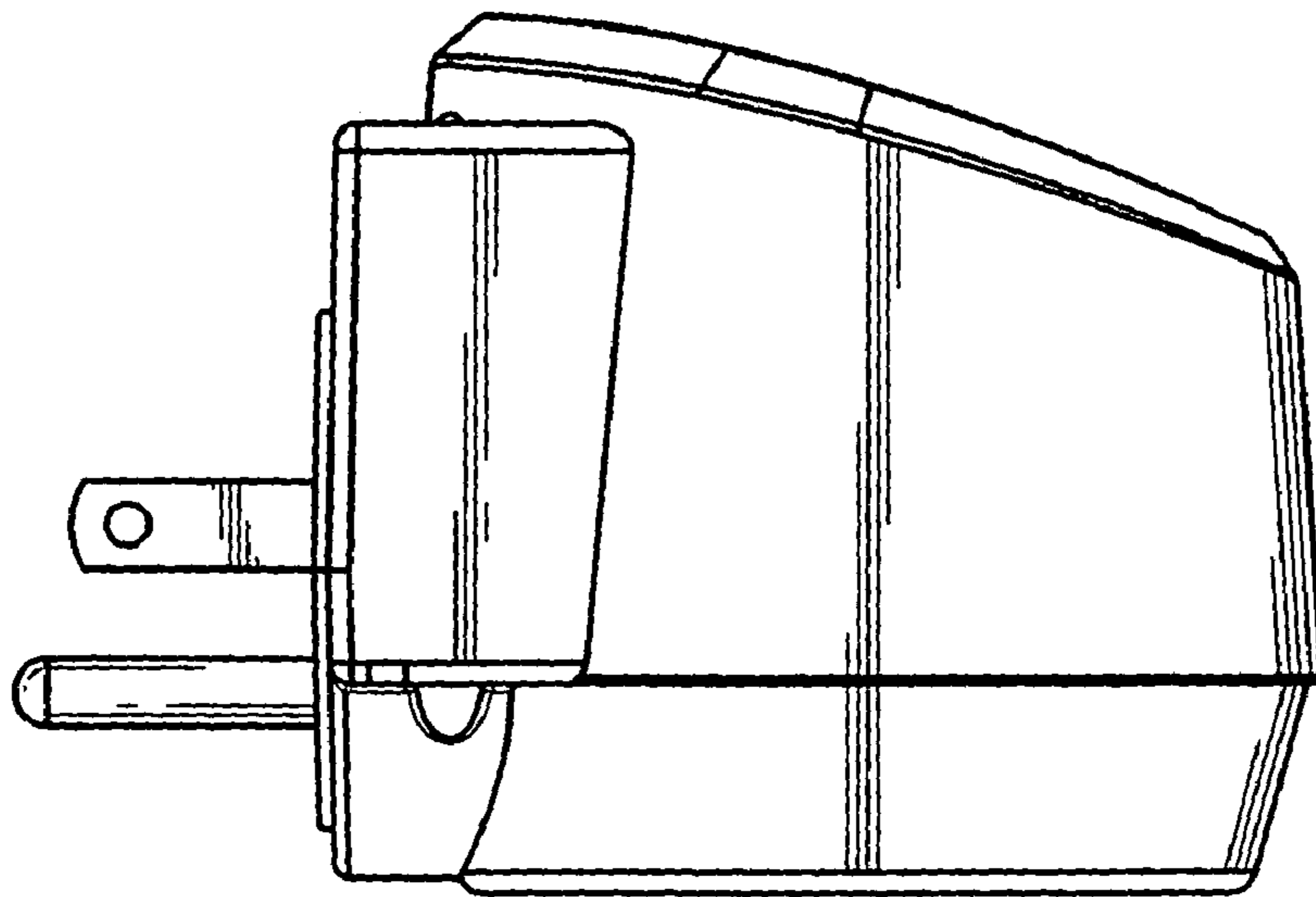


FIG. 11

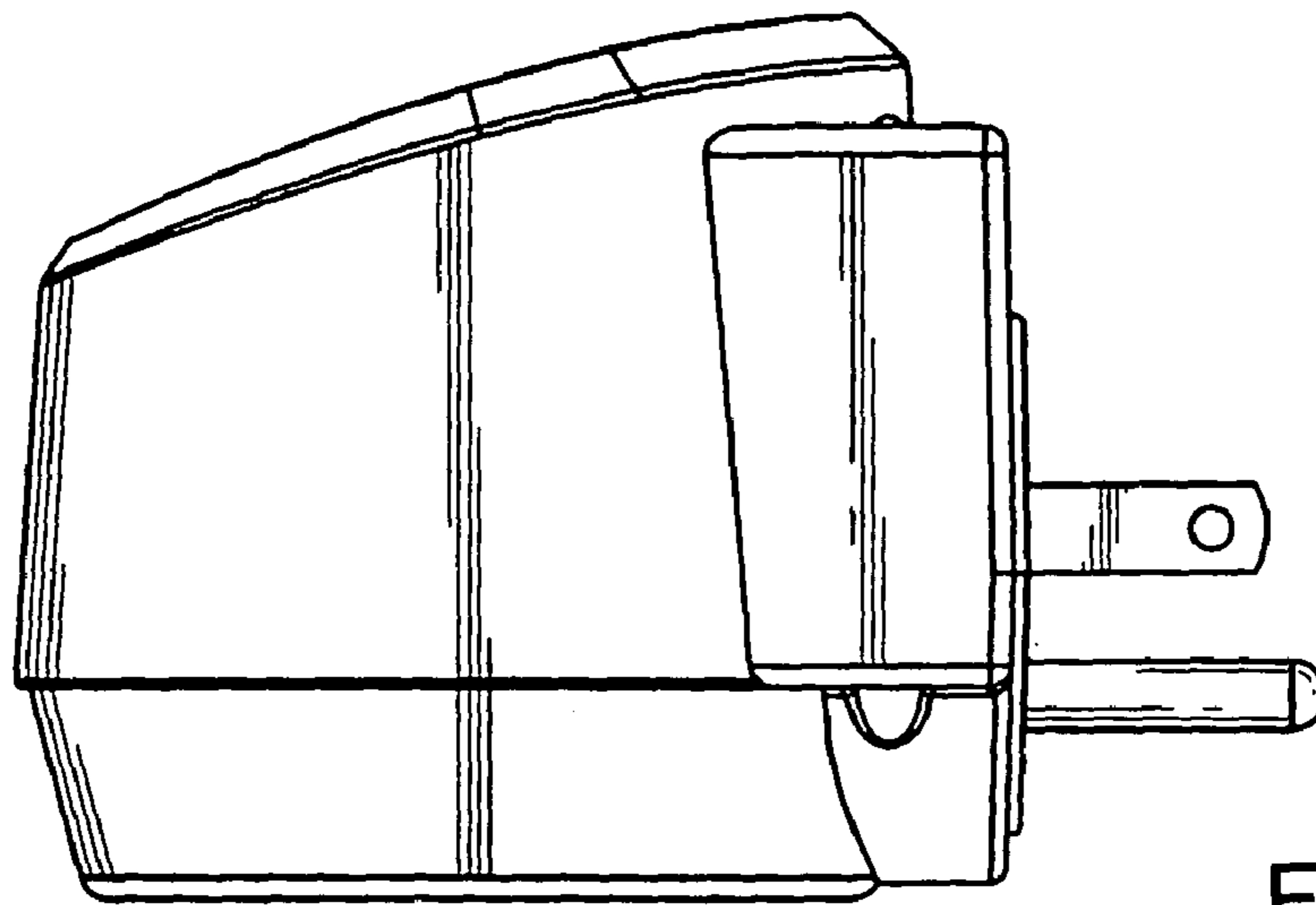


FIG. 12

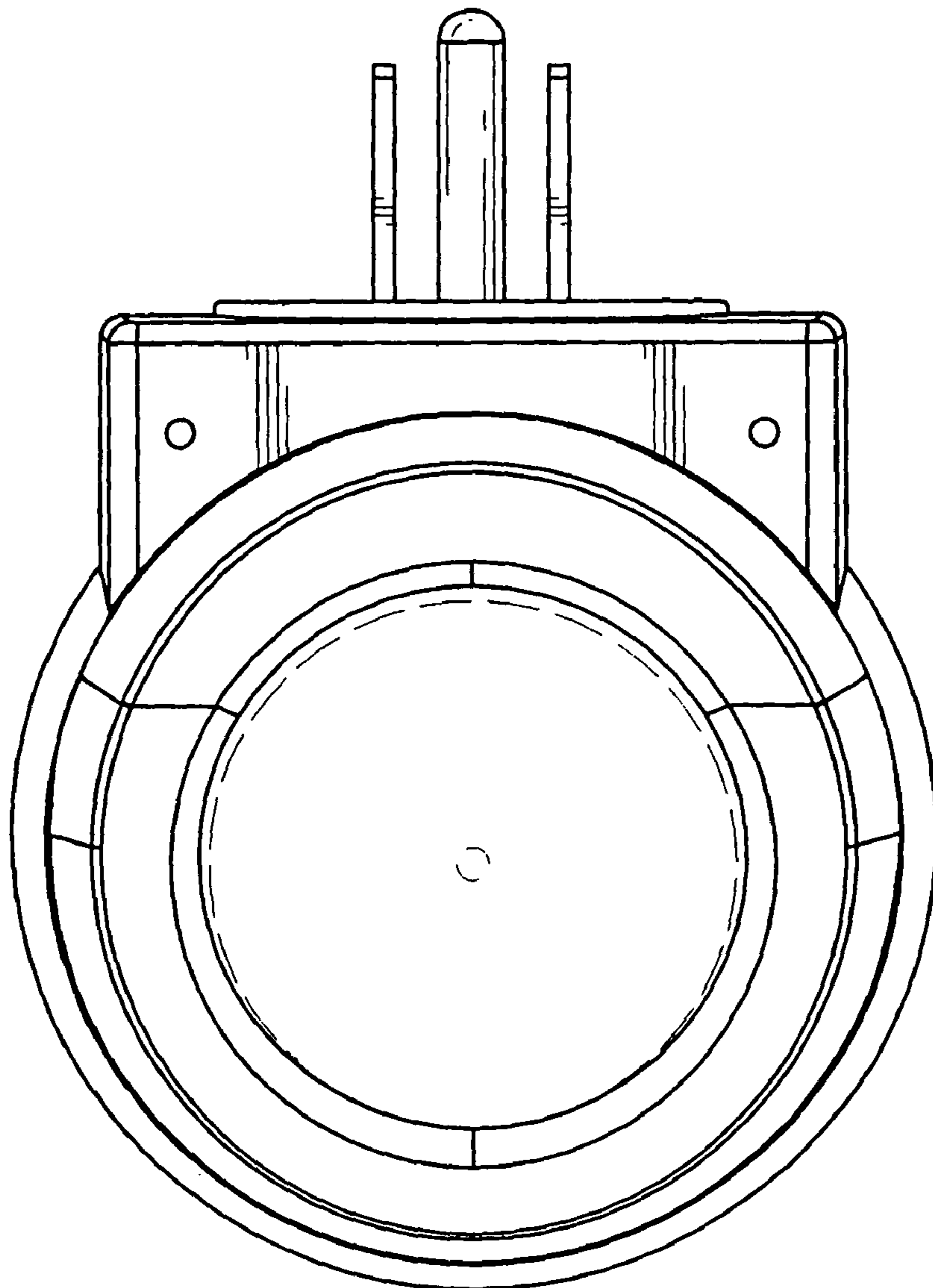


FIG. 13

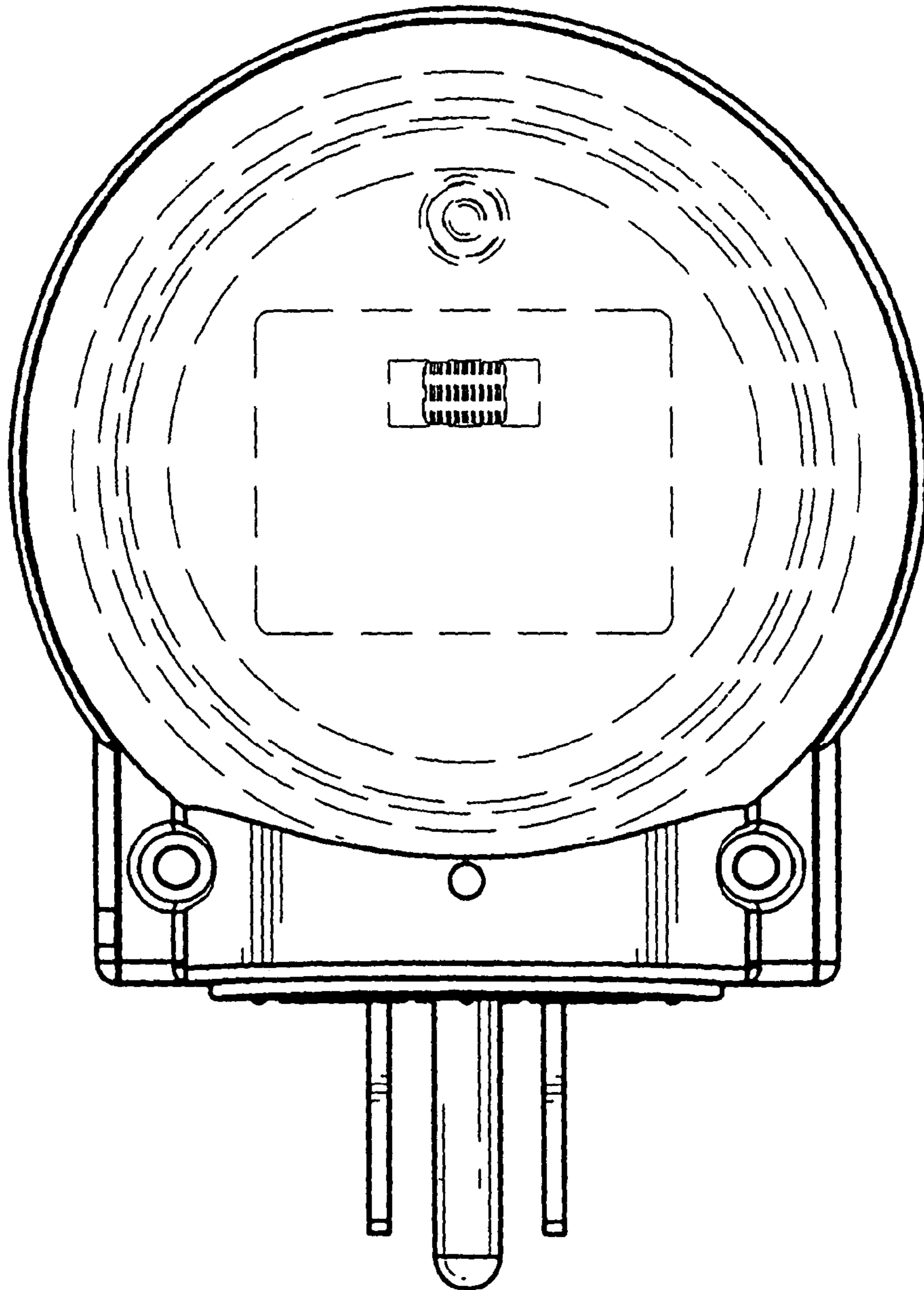


FIG. 14

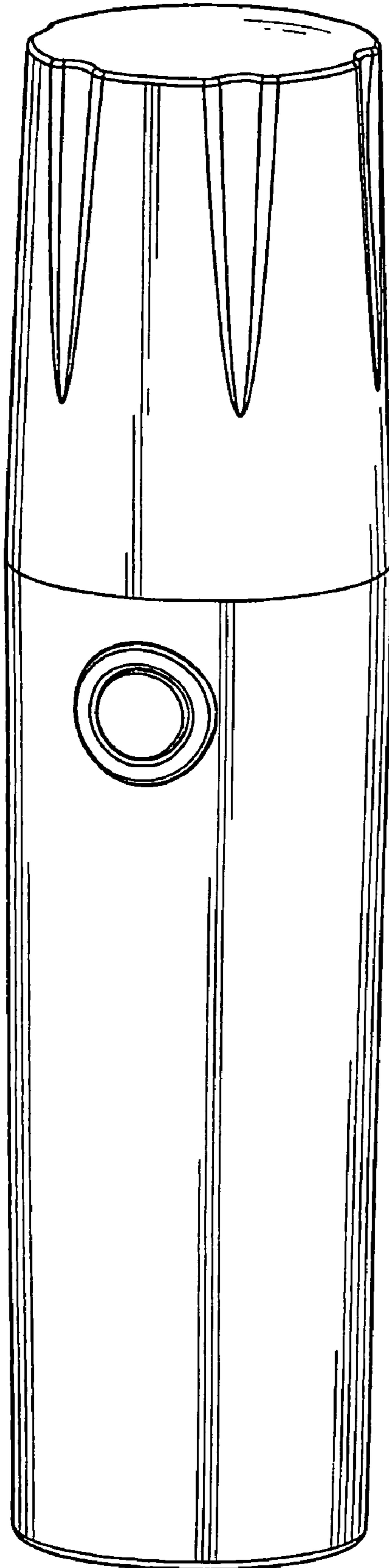


FIG. 15

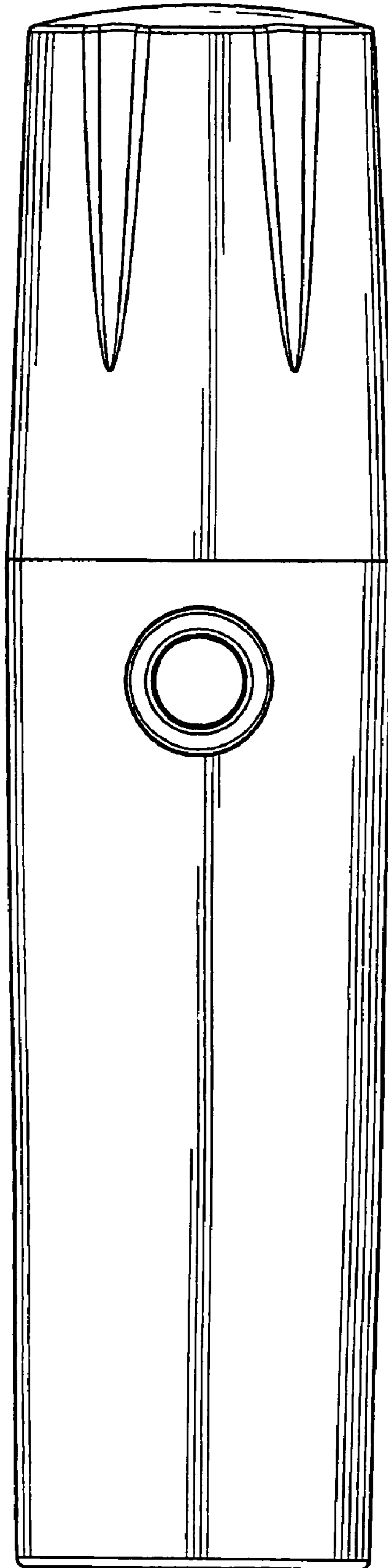


FIG. 16

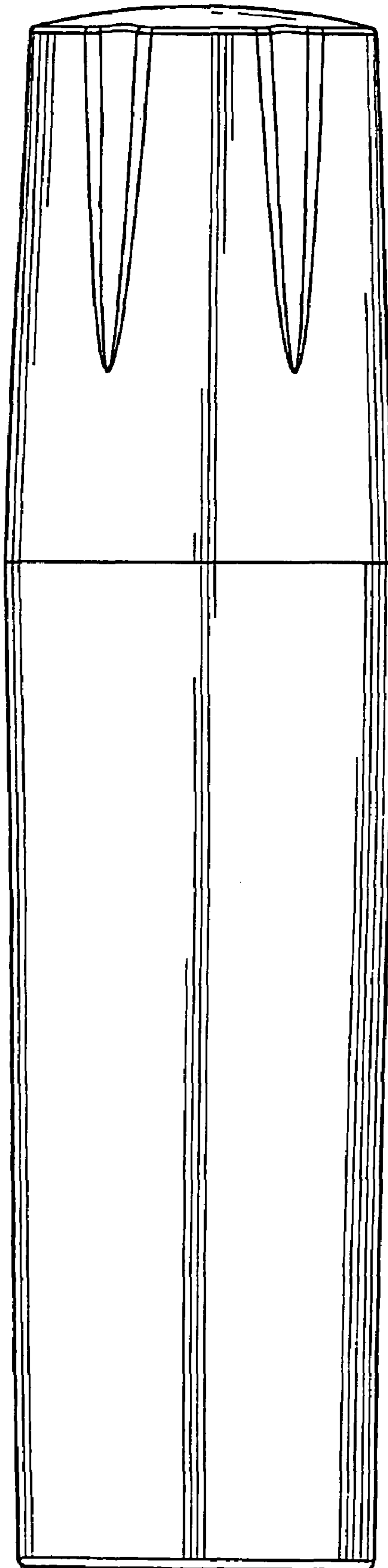


FIG. 17

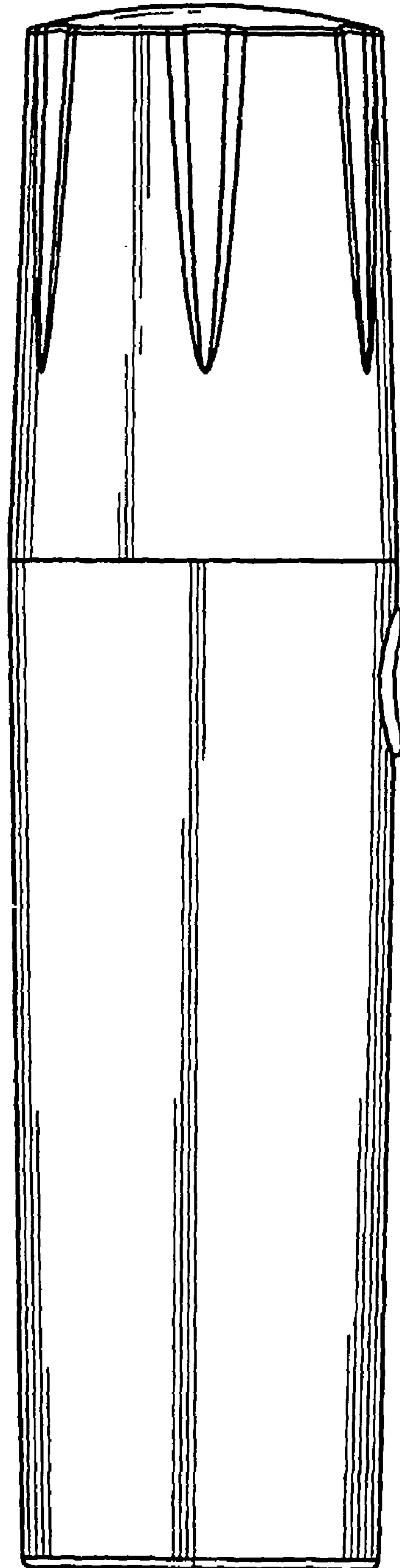


FIG. 18

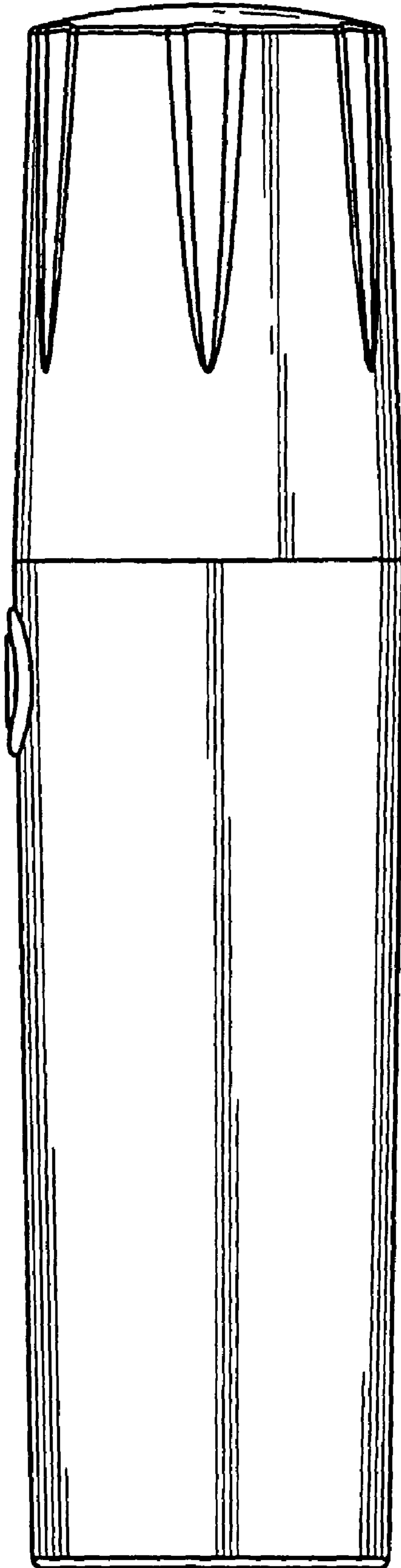


FIG. 19

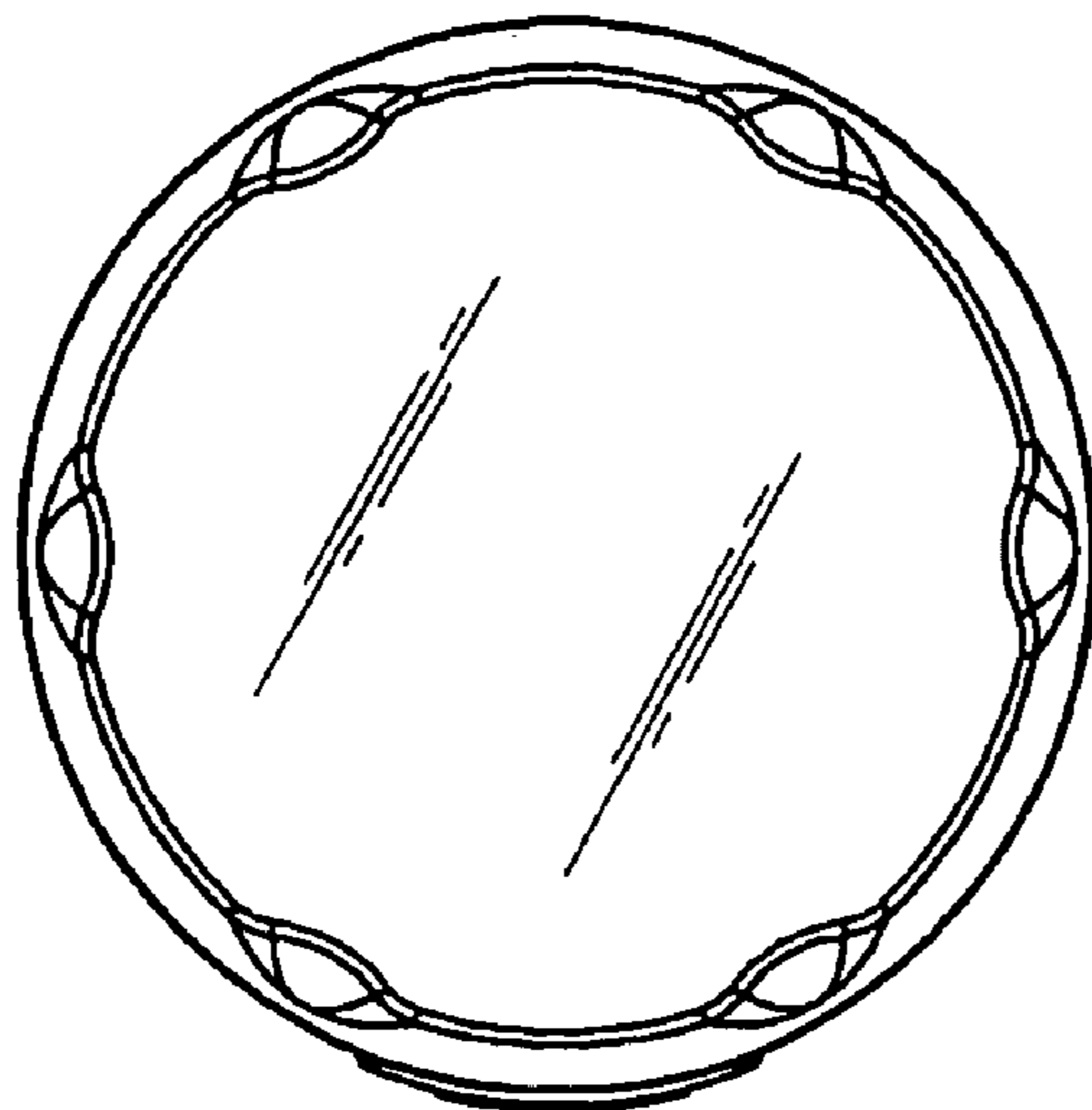


FIG. 20

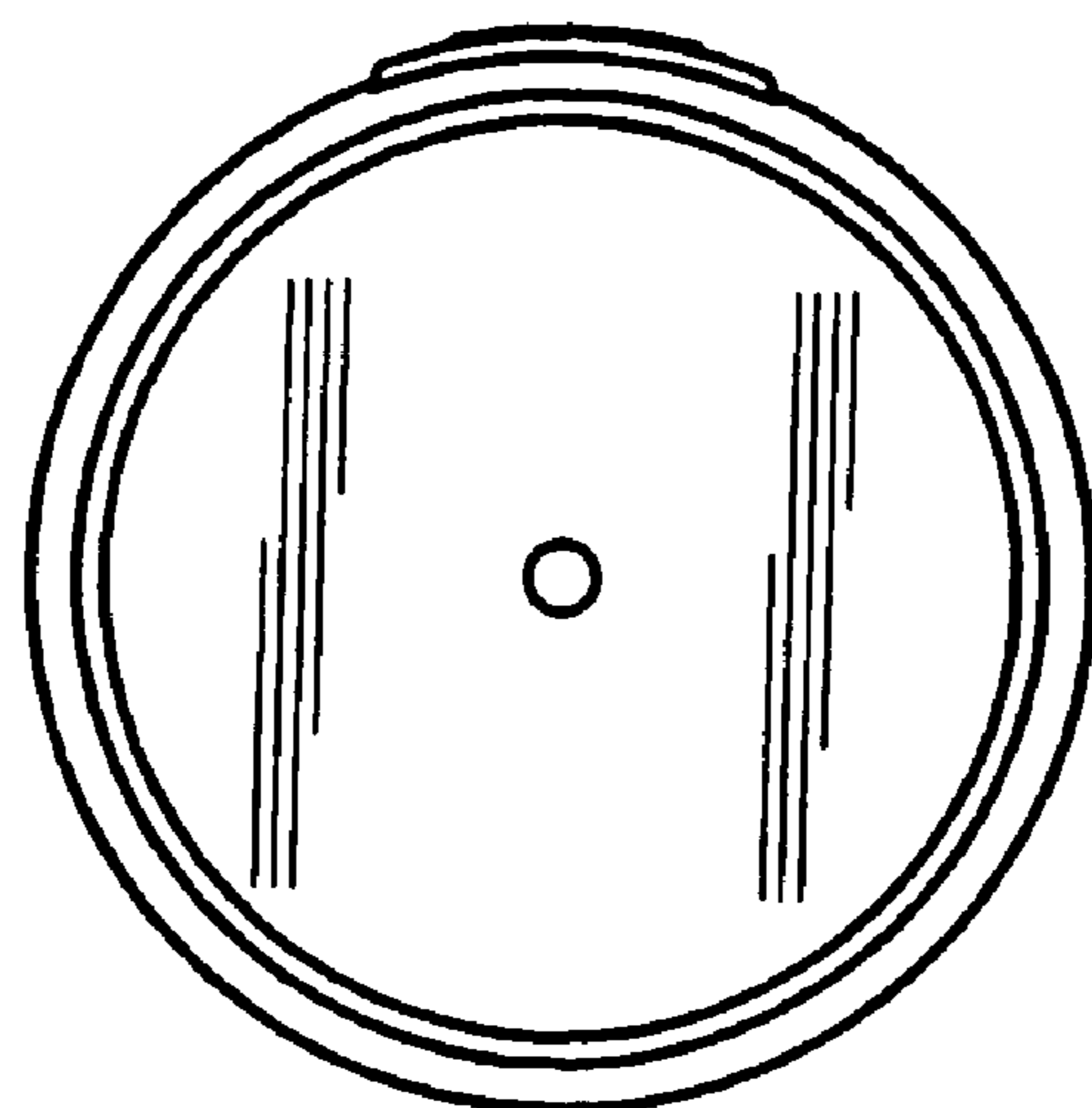


FIG. 21